



US00D904336S

(12) **United States Design Patent**
Chan

(10) **Patent No.:** **US D904,336 S**

(45) **Date of Patent:** **** Dec. 8, 2020**

(54) **SPEAKER**

(71) Applicant: **KYE SYSTEMS CORP.**, New Taipei (TW)

(72) Inventor: **Chi-Wai Chan**, New Taipei (TW)

(73) Assignee: **KYE SYSTEMS CORP.**, New Taipei (TW)

(**) Term: **15 Years**

(21) Appl. No.: **29/702,208**

(22) Filed: **Aug. 16, 2019**

(51) **LOC (12) Cl.** **14-01**

(52) **U.S. Cl.**
USPC **D14/204**

(58) **Field of Classification Search**
USPC D14/170–172, 188, 203.1, 203.3, 204, D14/348
CPC . H04R 1/02; H04R 1/023; H04R 5/02; H04R 7/00; H04R 7/02; H04R 9/06; H04R 2400/00
See application file for complete search history.

(56) **References Cited**

U.S. PATENT DOCUMENTS

D399,320 S * 10/1998 Barbeau D24/231
D447,706 S * 9/2001 Bjørn D10/53

D478,010 S * 8/2003 Chen D10/1
D498,148 S * 11/2004 Chan D10/53
D518,039 S * 3/2006 Geringer D14/299
D560,125 S * 1/2008 Choi D10/53
D577,004 S * 9/2008 Lim D14/211
D602,909 S * 10/2009 Cho D14/214
D657,777 S * 4/2012 Jursch D14/215
D788,069 S * 5/2017 Pineau D14/204

* cited by examiner

Primary Examiner — Janice Patyk

(74) *Attorney, Agent, or Firm* — Maschoff Brennan

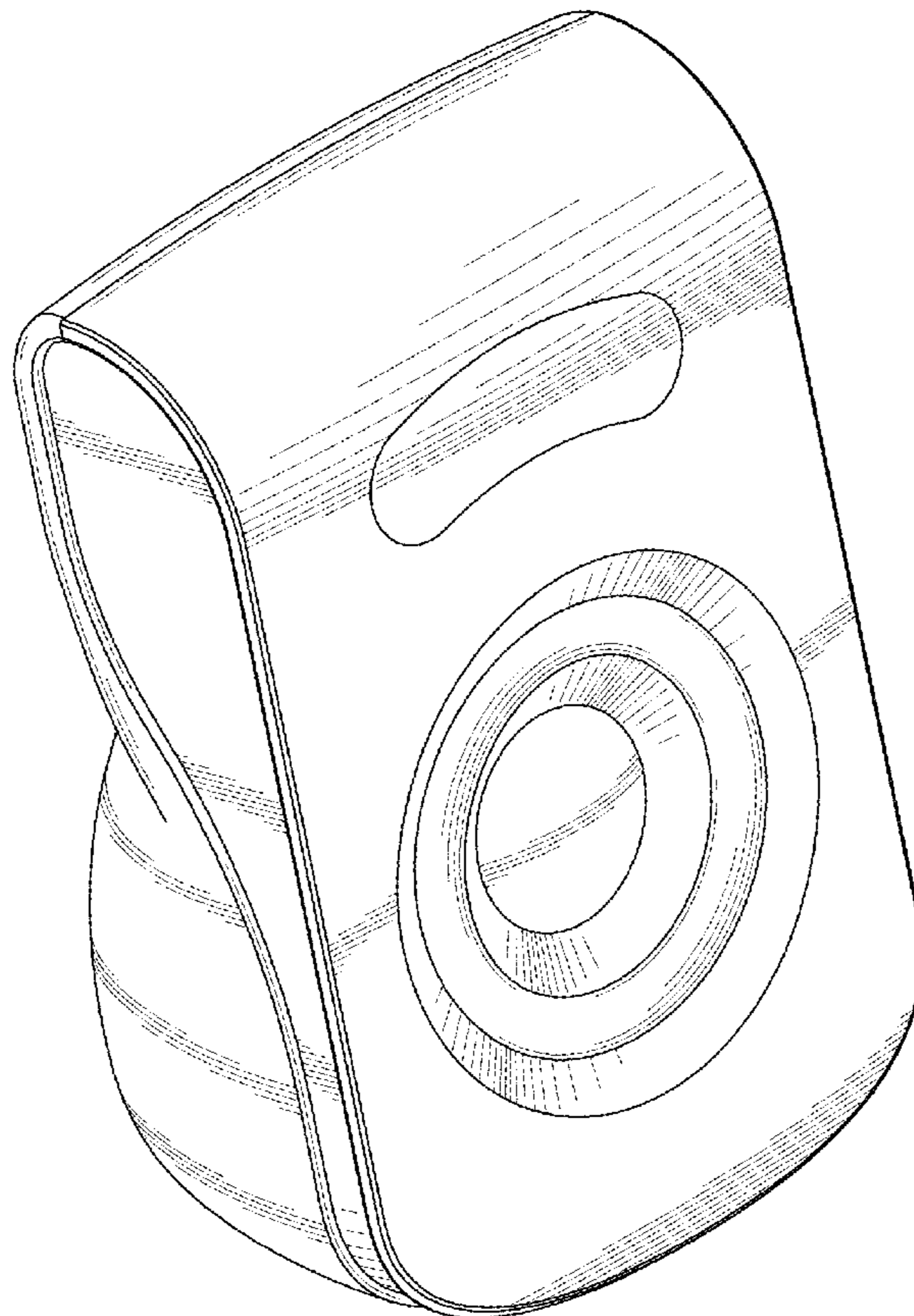
(57) **CLAIM**

The ornamental design for a speaker, as shown and described.

DESCRIPTION

FIG. 1 is a top, front and left side perspective view of a speaker showing my new design;
FIG. 2 is a bottom, rear and right side perspective view thereof;
FIG. 3 is a front view thereof;
FIG. 4 is a rear view thereof;
FIG. 5 is a left side view thereof;
FIG. 6 is a right side view thereof;
FIG. 7 is a top view thereof; and,
FIG. 8 is a bottom view thereof.

1 Claim, 7 Drawing Sheets



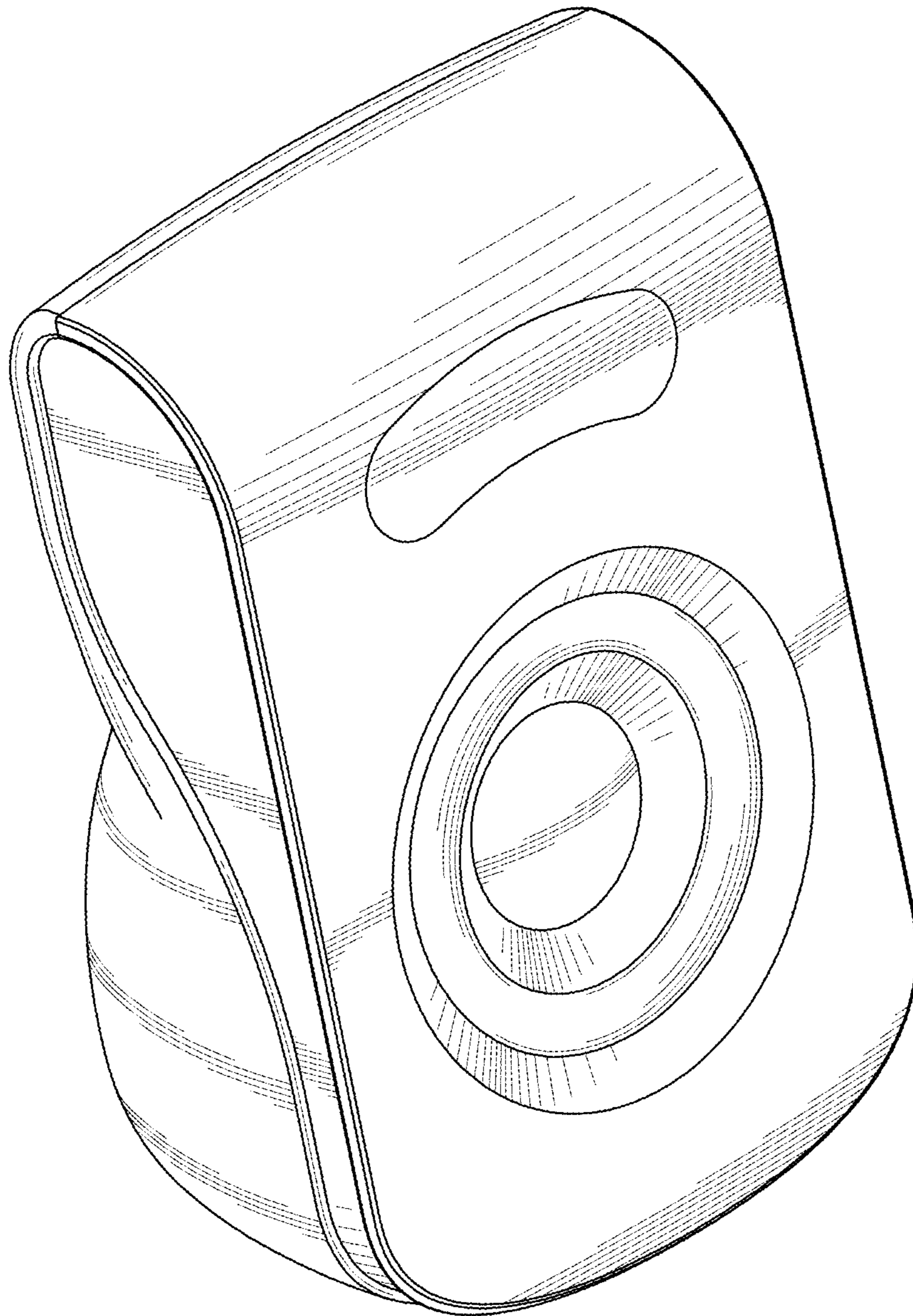


FIG. 1

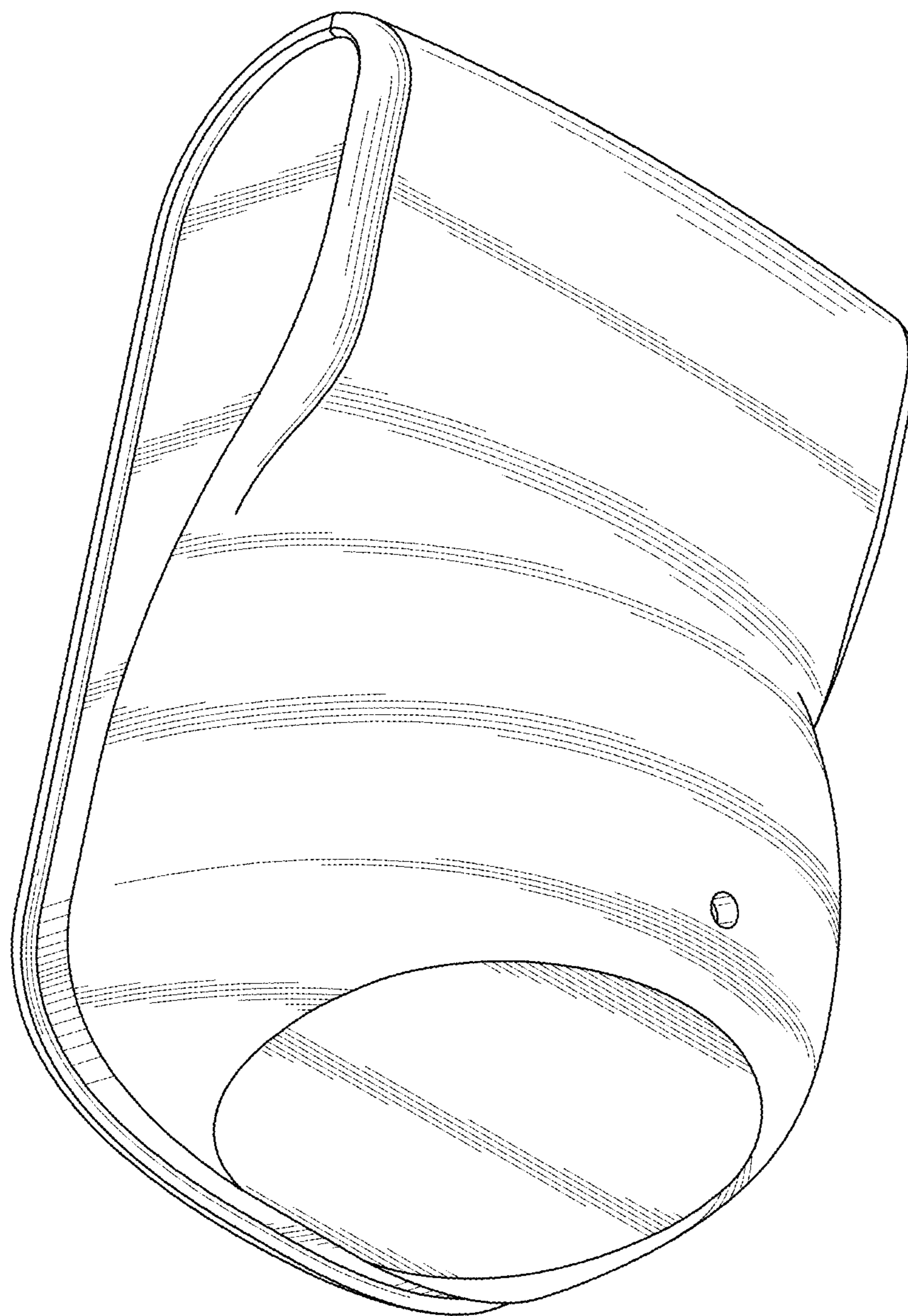


FIG. 2

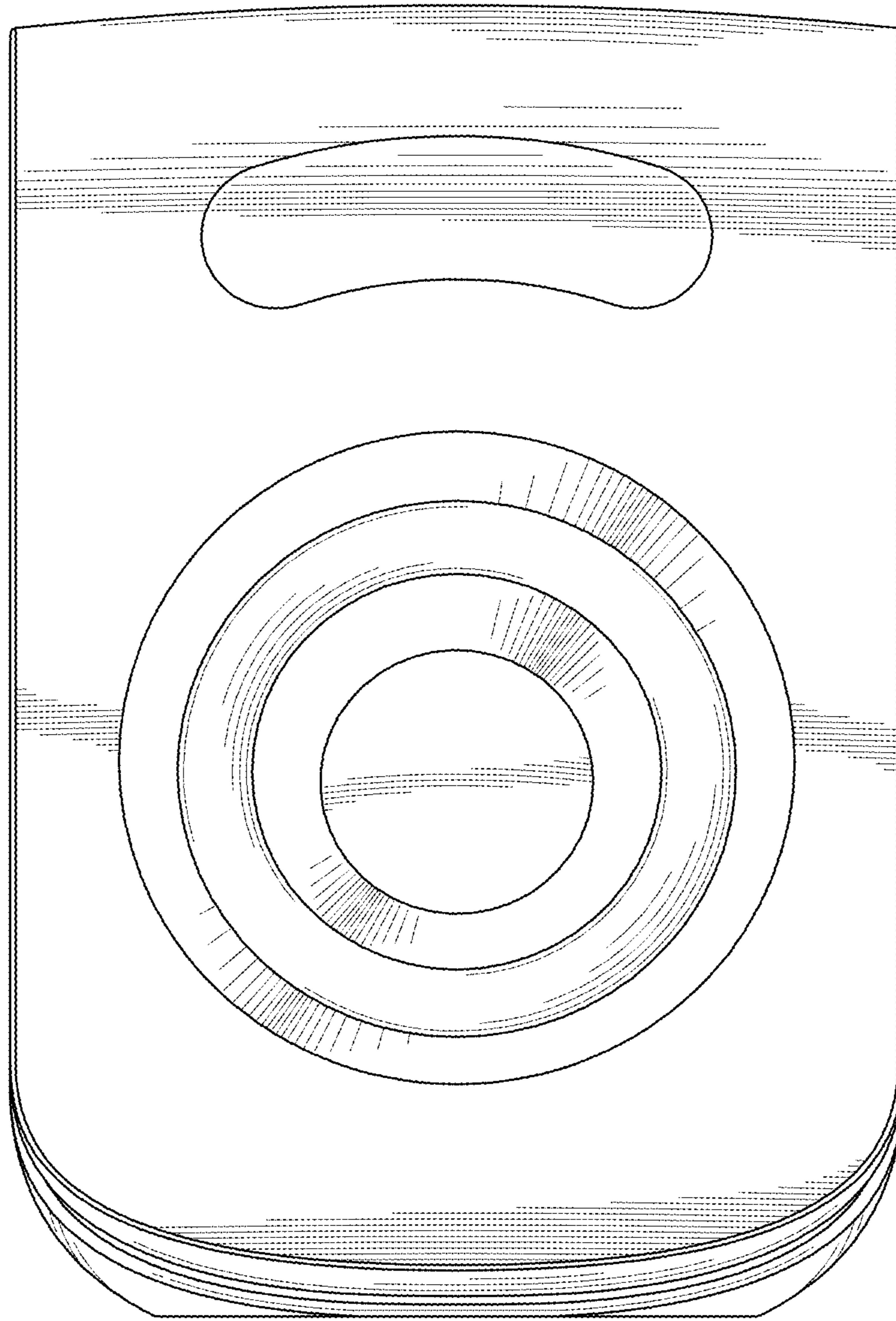


FIG. 3

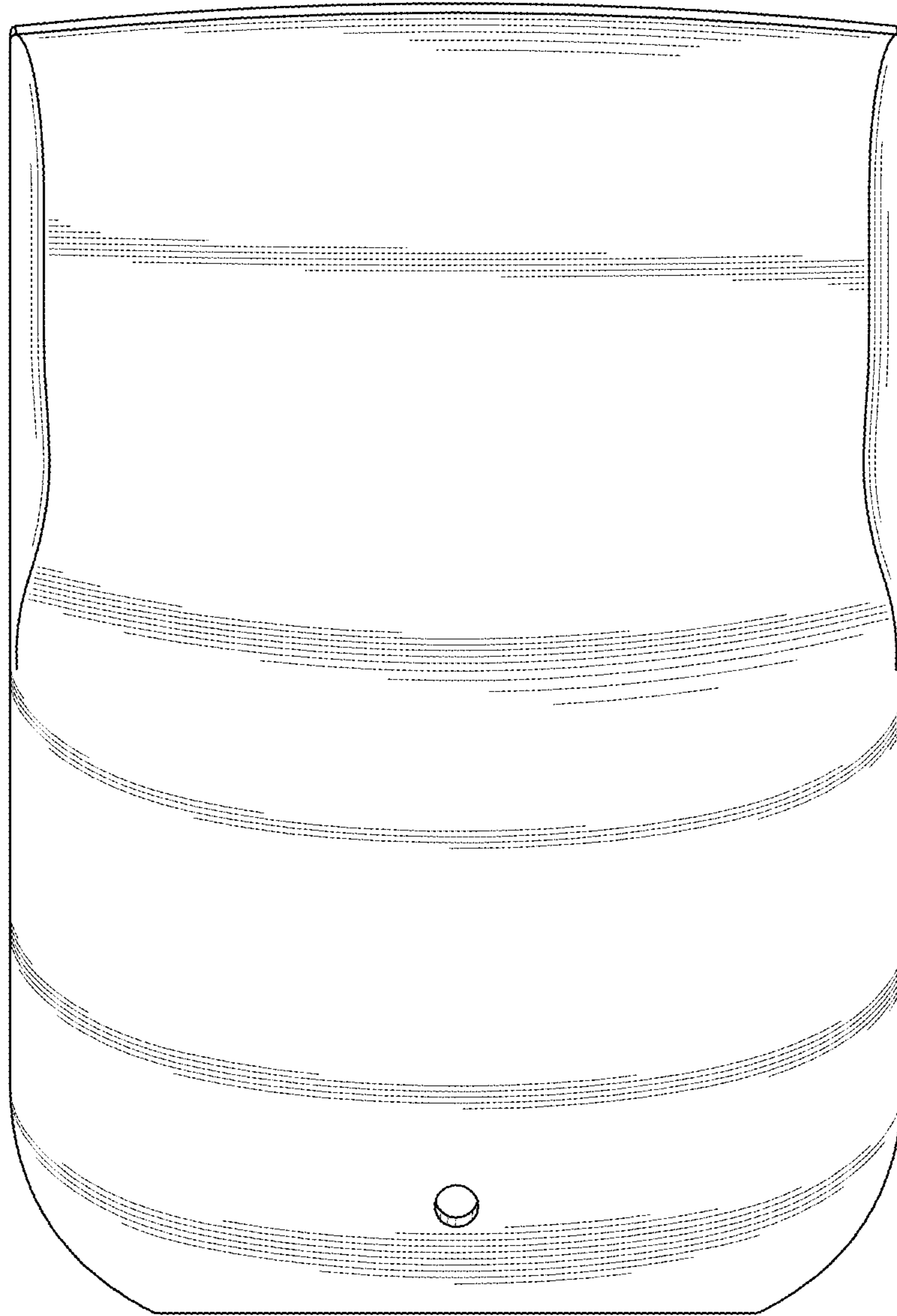


FIG. 4

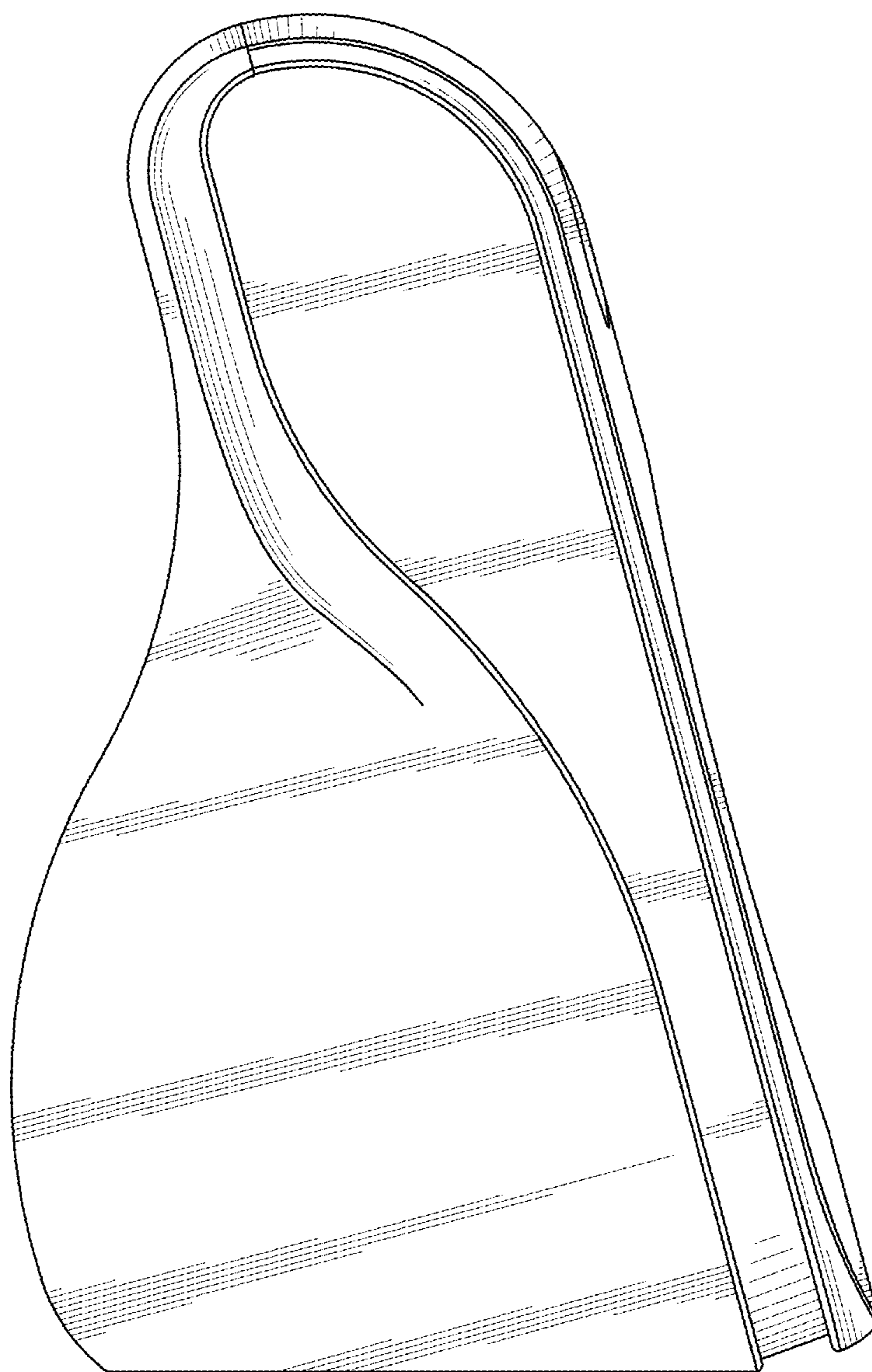


FIG. 5

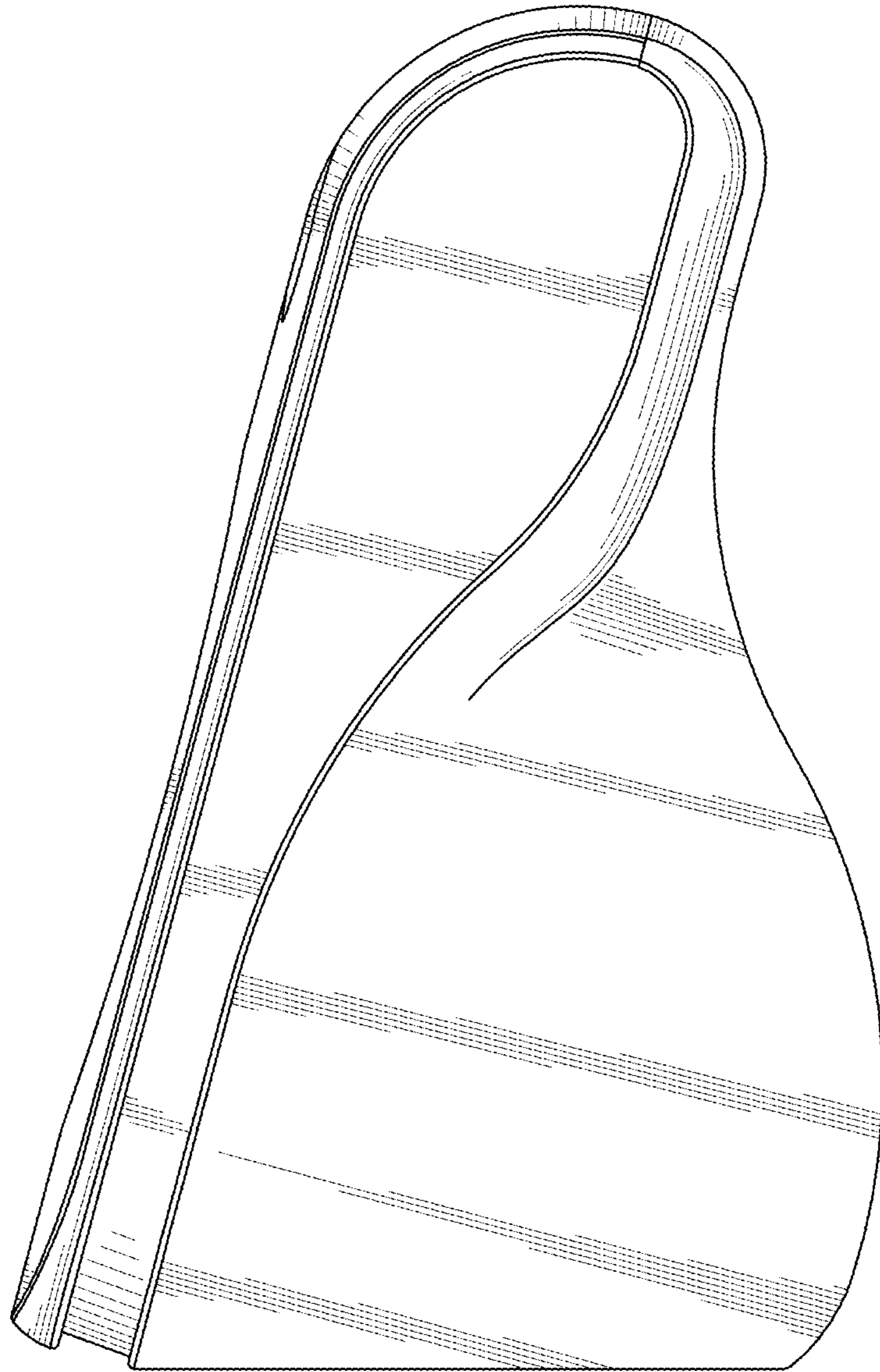


FIG. 6

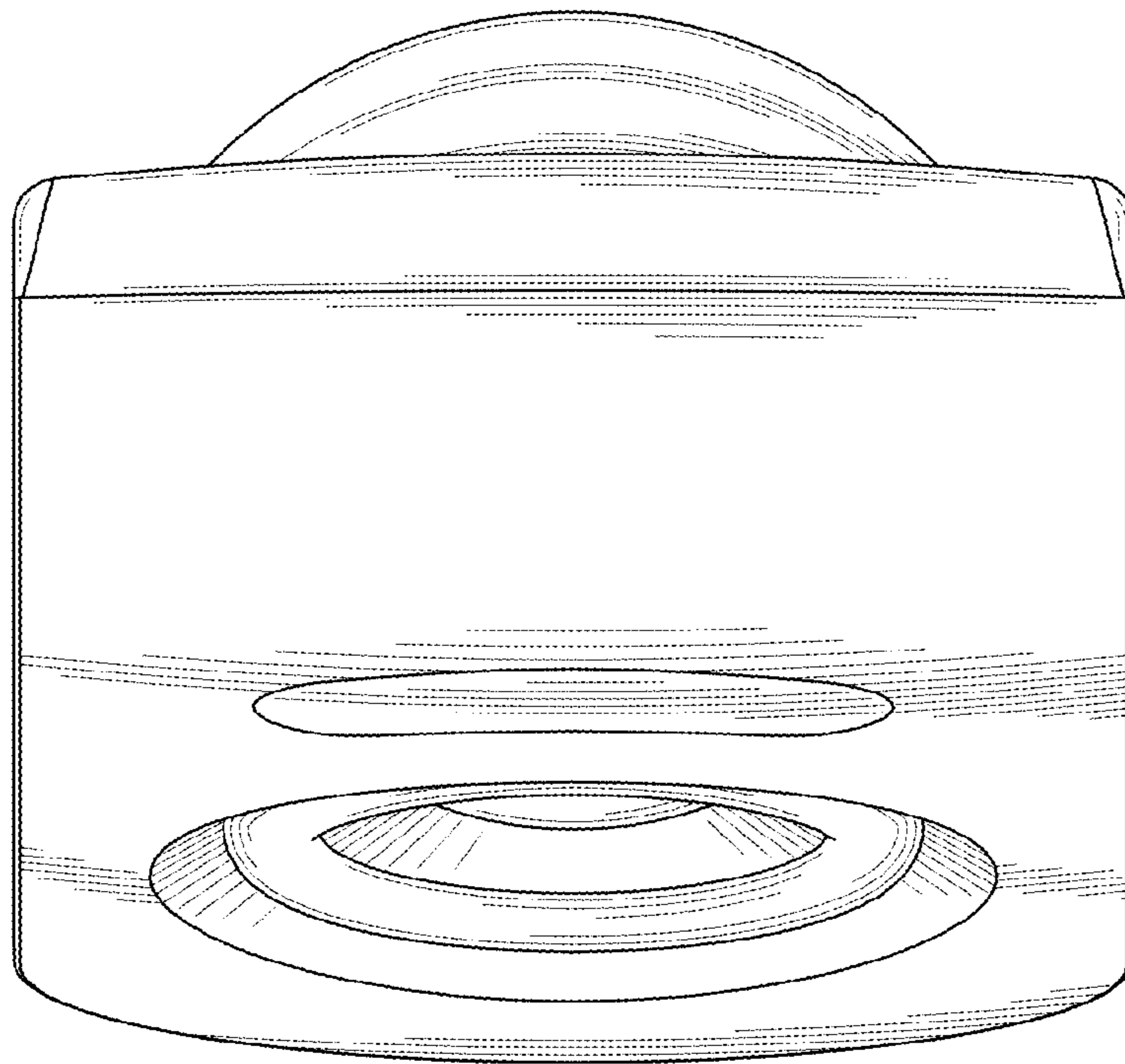


FIG. 7

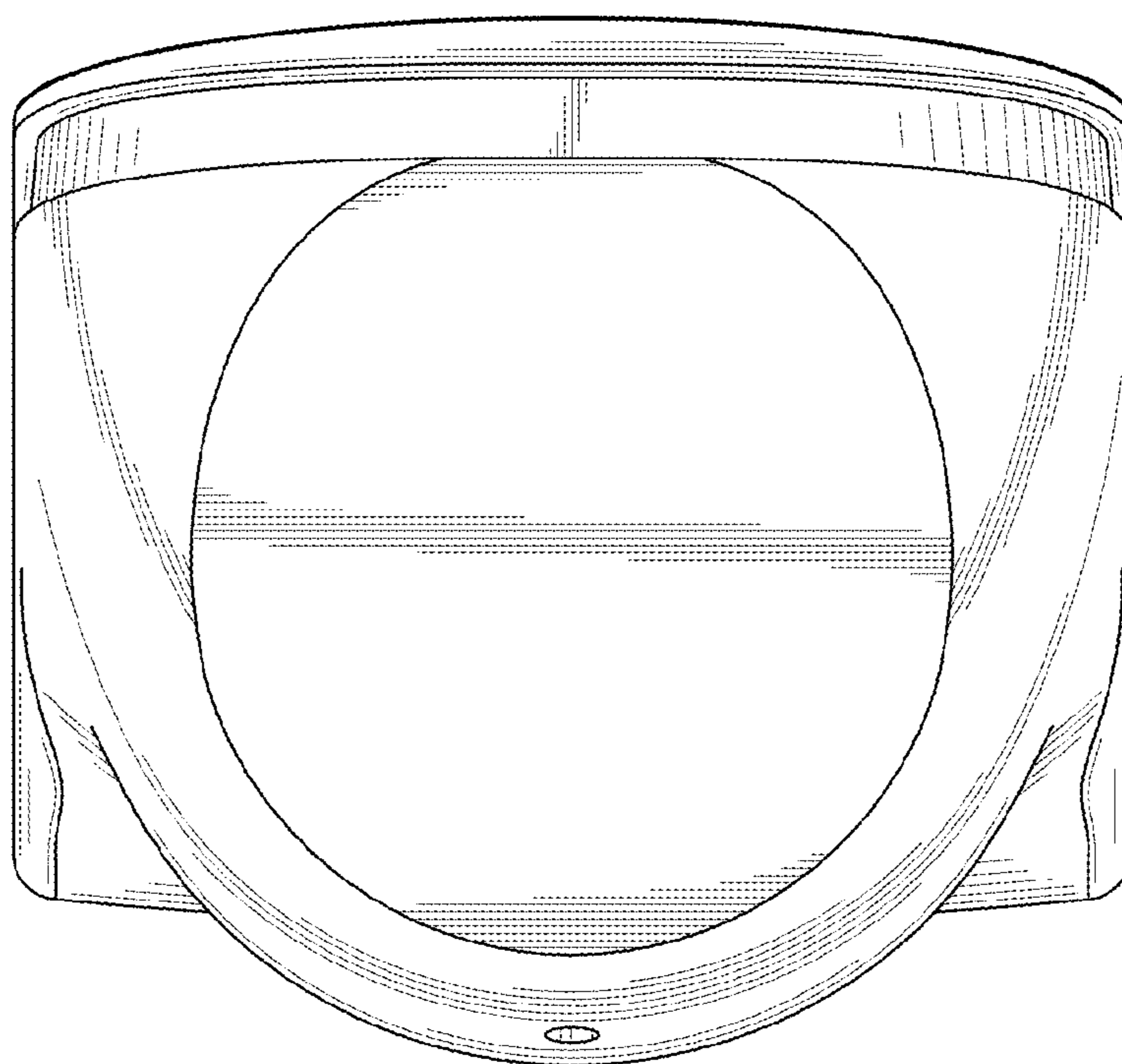


FIG. 8