



US00D904334S

(12) **United States Design Patent**
Cao

(10) **Patent No.:** **US D904,334 S**

(45) **Date of Patent:** **** Dec. 8, 2020**

(54) **RECORD PLAYER**

(71) Applicant: **VANSONG TECHNOLOGY (HONG KONG) LIMITED**, Hong Kong (HK)

(72) Inventor: **Yongde Cao**, Hong Kong (HK)

(**) Term: **15 Years**

(21) Appl. No.: **29/701,694**

(22) Filed: **Aug. 13, 2019**

(51) **LOC (12) Cl.** **14-01**

(52) **U.S. Cl.**
USPC **D14/202**; D14/203

(58) **Field of Classification Search**
USPC D14/169, 175, 199-203, 261;
369/264-265
CPC B60R 11/02; B60K 37/04; B60K 37/06;
H04B 1/08; H04B 1/082; G11B 17/16;
G11B 23/00; G11B 19/16; G11B 33/02
See application file for complete search history.

(56) **References Cited**

U.S. PATENT DOCUMENTS

- 2,556,421 A * 6/1951 Gee, Jr. G11B 3/08509
369/78
- D171,576 S * 3/1954 Birns D14/201
- D200,804 S * 4/1965 Brown D14/203
- D205,634 S * 8/1966 Wistrand D14/202

- D207,348 S * 4/1967 Kitts D14/201
- D229,574 S * 12/1973 Martin D14/201
- D230,508 S * 2/1974 Iida D14/203
- D234,315 S * 2/1975 Mansfield D14/203
- D238,394 S * 1/1976 Akazawe D14/202
- D241,574 S * 9/1976 Mukai et al. D14/202
- D247,488 S * 3/1978 Ohtomo D14/202
- D249,143 S * 8/1978 Ohtomo D14/203
- D250,333 S * 11/1978 Meunier D14/203
- D279,371 S * 6/1985 Arrington D14/202
- D810,716 S * 2/2018 Yang D14/203
- D864,891 S * 10/2019 Yang D14/202
- D873,235 S * 1/2020 Wang G11B 3/08509
D14/201

* cited by examiner

Primary Examiner — Sandra L Morris
(74) *Attorney, Agent, or Firm* — W&K IP

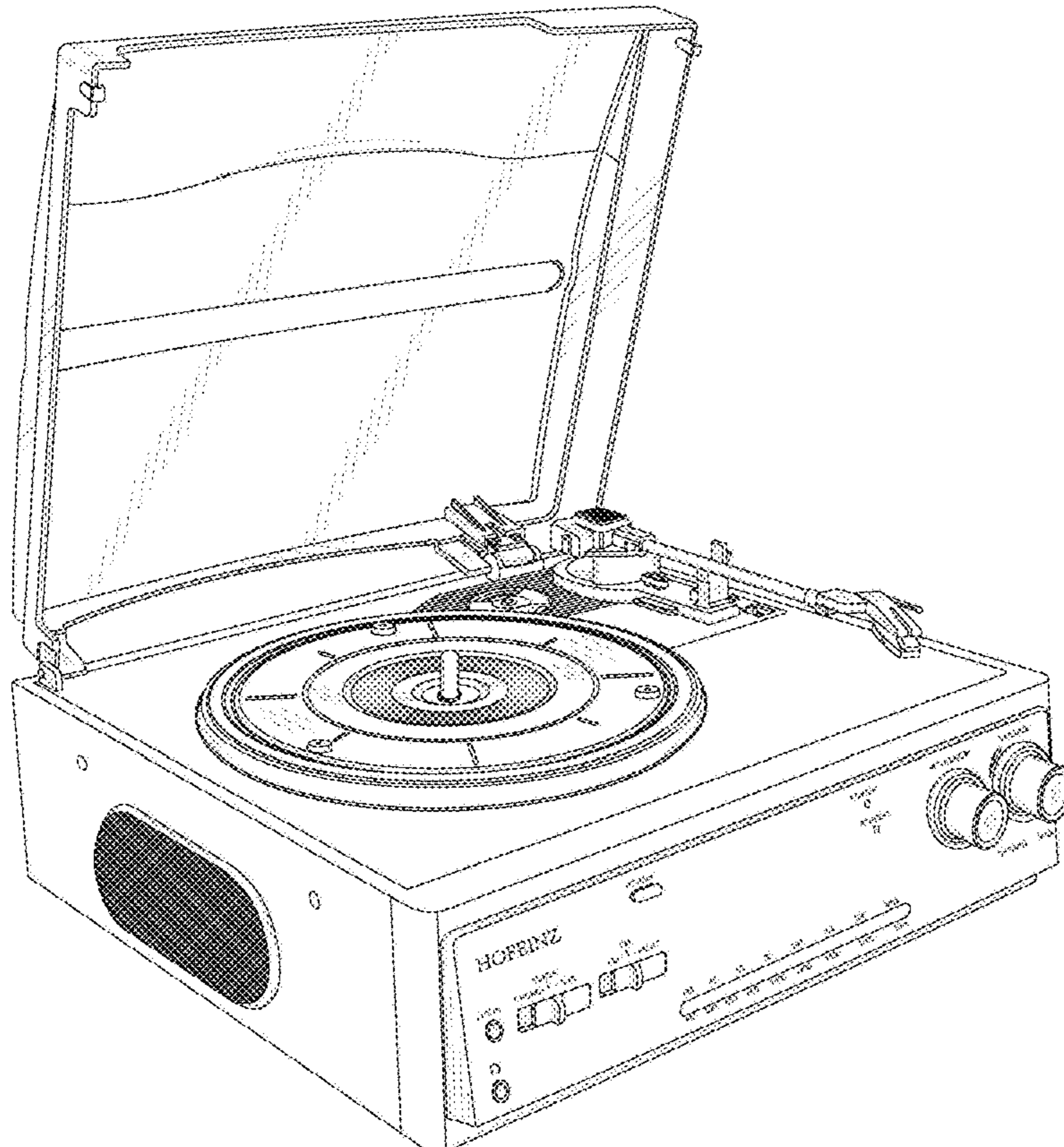
(57) **CLAIM**

The ornamental design for a record player, as shown and described.

DESCRIPTION

FIG. 1 is a perspective view of a record player;
FIG. 2 is a front elevational view thereof;
FIG. 3 is a rear elevational view thereof;
FIG. 4 is a left elevational view thereof;
FIG. 5 is a right elevational view thereof;
FIG. 6 is a top plan view thereof; and,
FIG. 7 is a bottom plan view thereof.

1 Claim, 7 Drawing Sheets



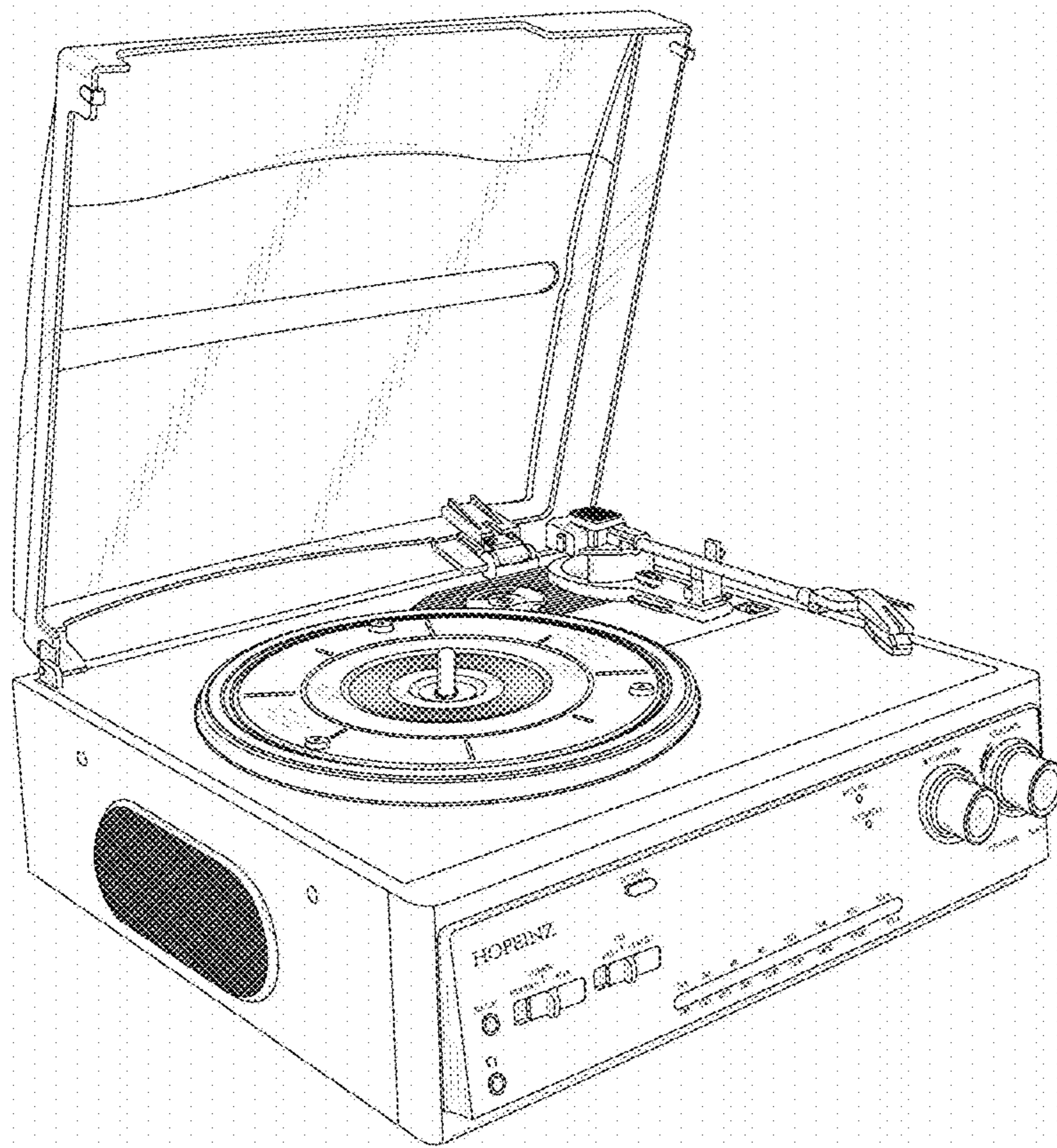


FIG. 1

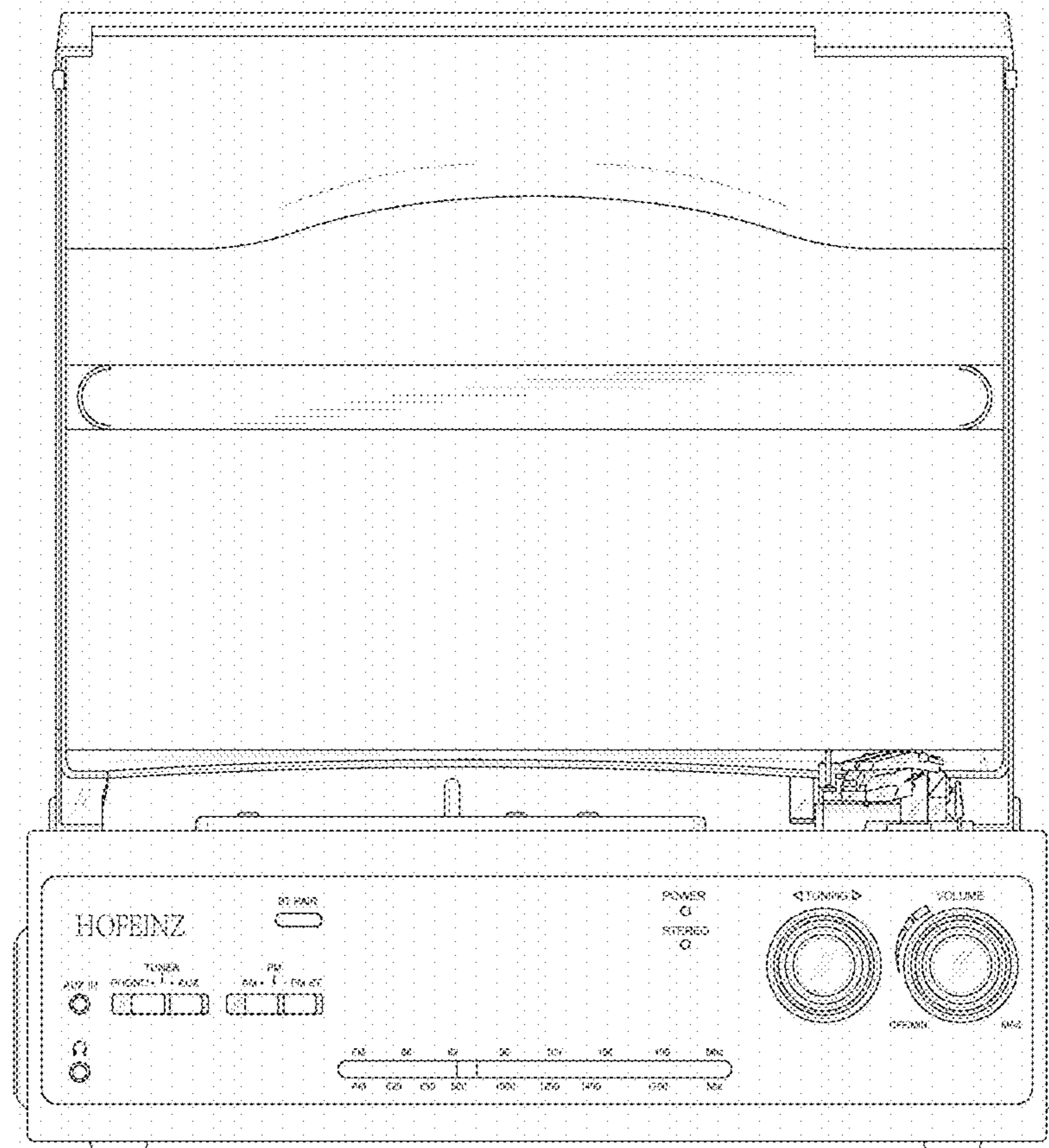


FIG. 2

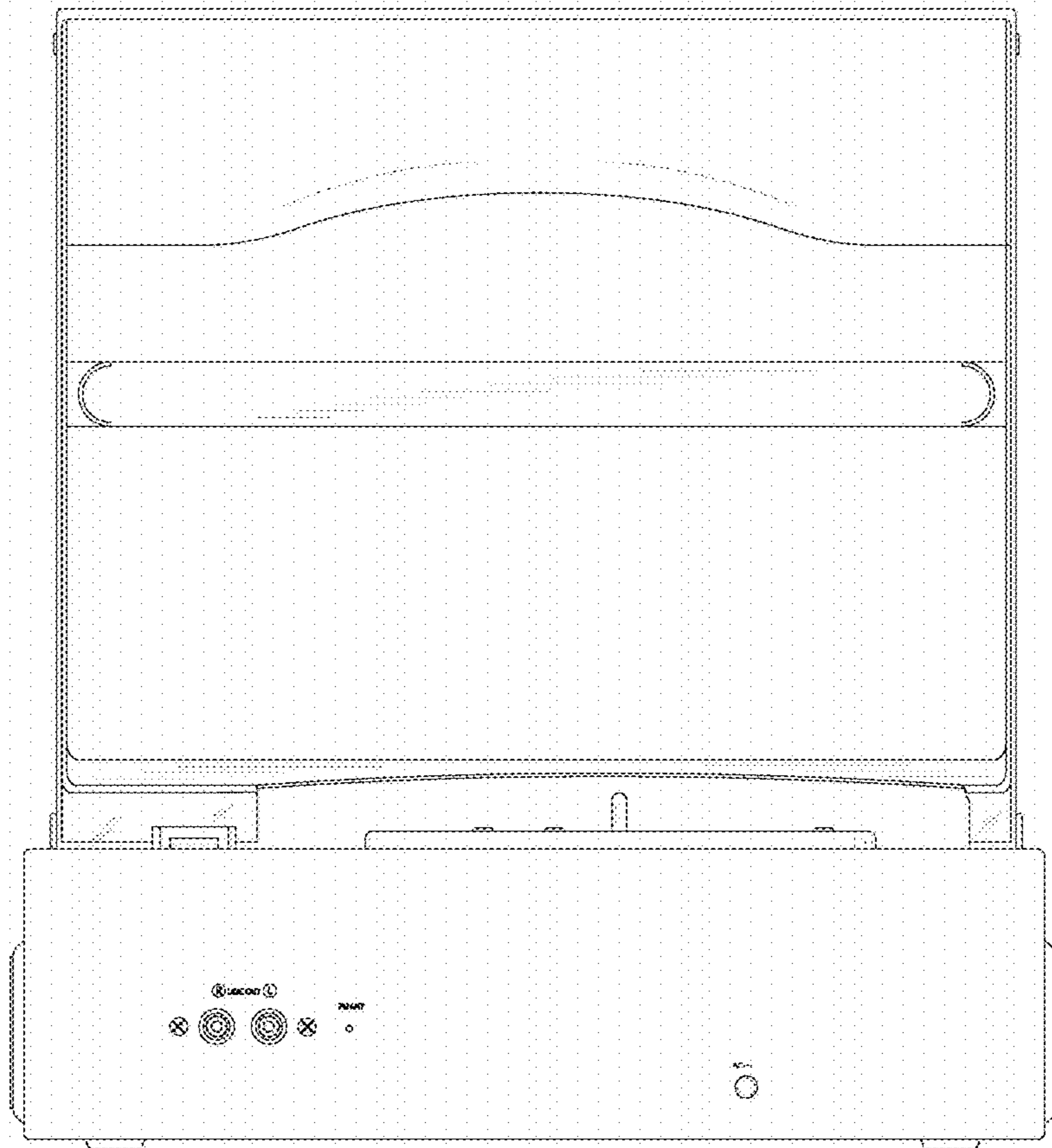


FIG.3

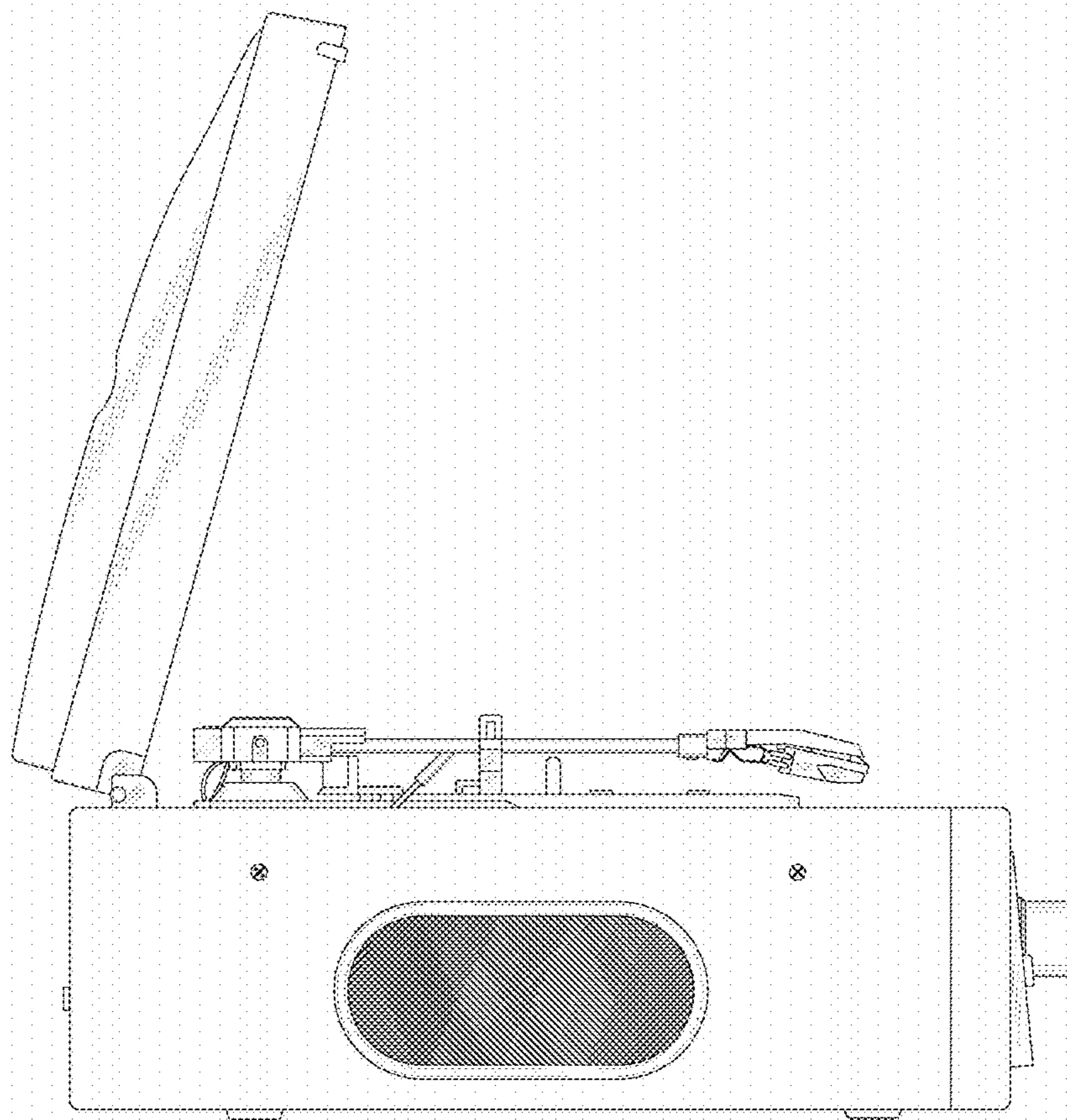


FIG.4

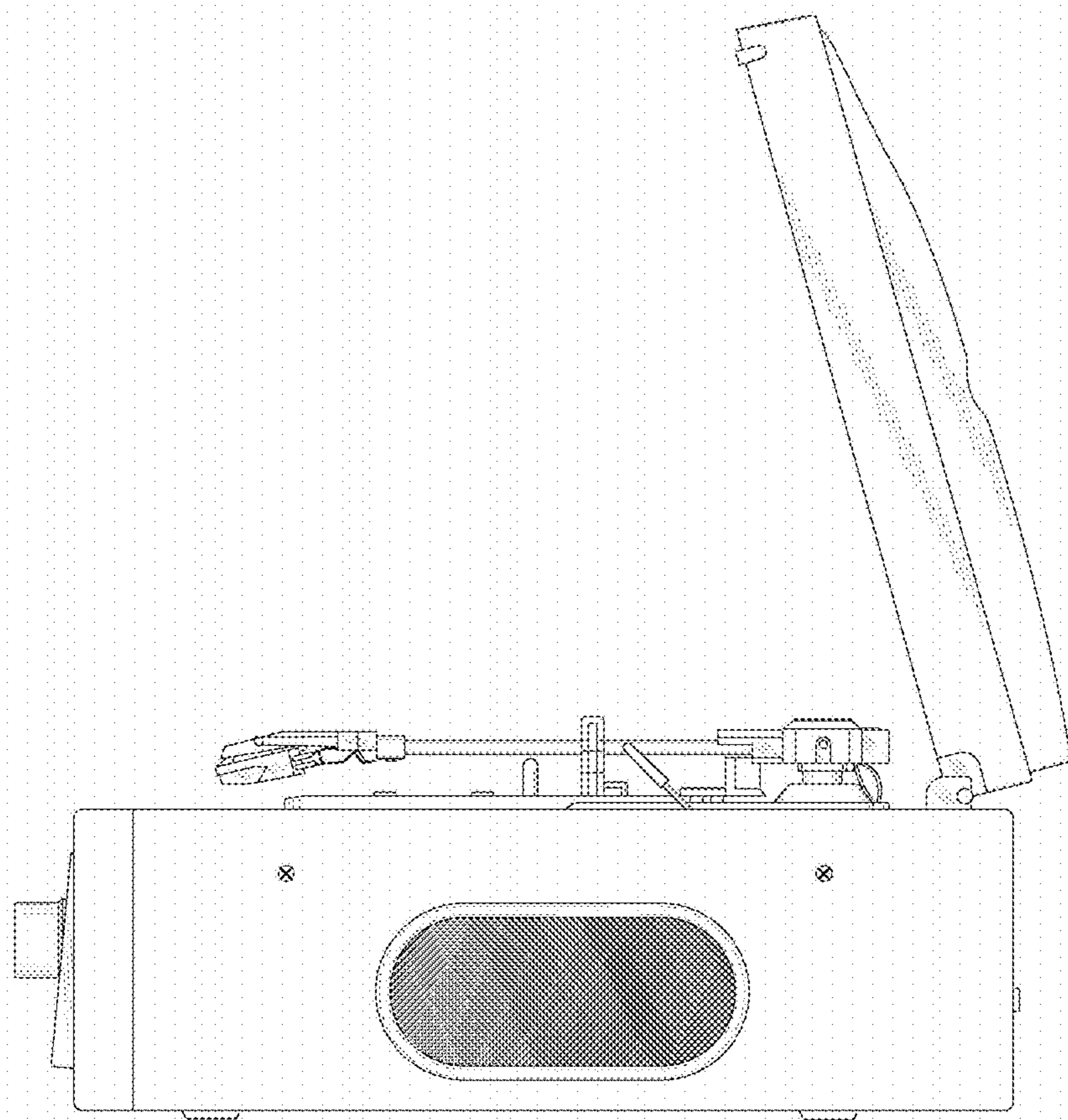


FIG.5

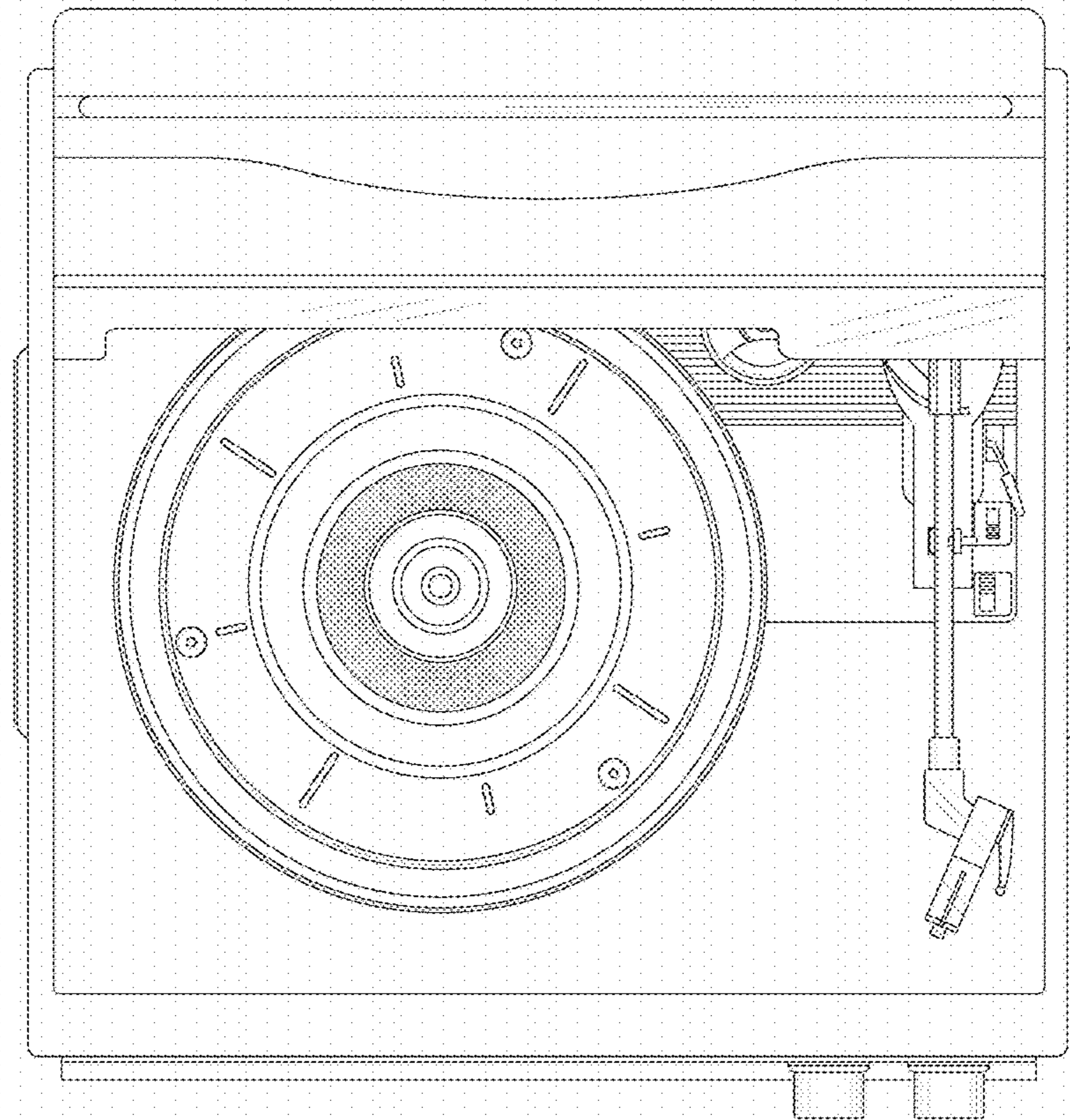


FIG.6

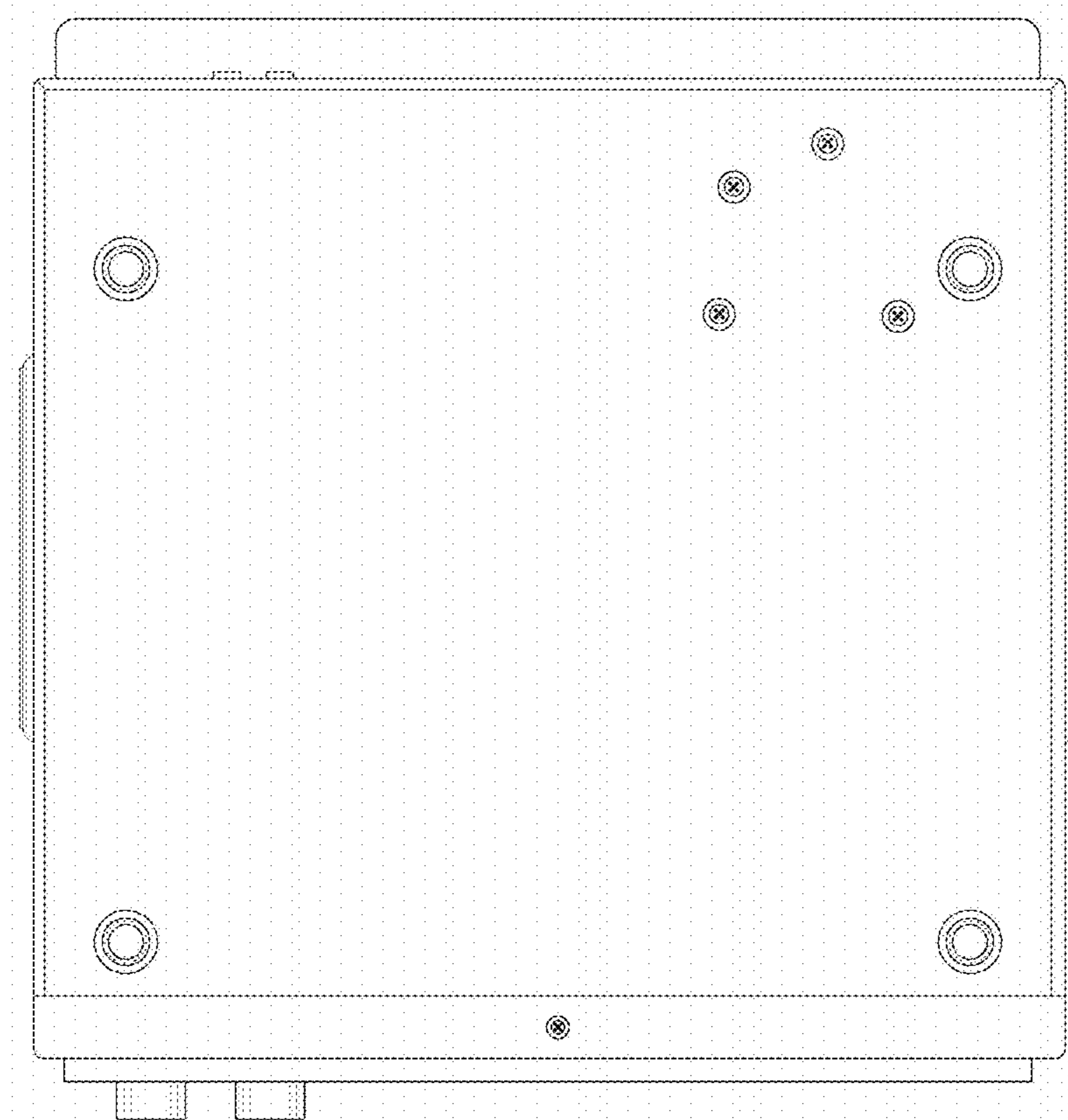


FIG. 7