



US00D904332S

(12) **United States Design Patent** (10) **Patent No.:** **US D904,332 S**  
**Yang et al.** (45) **Date of Patent:** **\*\* Dec. 8, 2020**

(54) **RADIO PAGER**

(71) Applicant: **AMONSENSE CO., LTD.**, Cheonan-si (KR)

(72) Inventors: **Jin-Sung Yang**, Seoul (KR);  
**Byeong-An Yu**, Gwangmyeong-si (KR)

(73) Assignee: **AMONSENSE CO., LTD.**, Cheonan-si (KR)

(\*\*) Term: **15 Years**

(21) Appl. No.: **29/696,363**

(22) Filed: **Jun. 27, 2019**

(30) **Foreign Application Priority Data**

Dec. 27, 2018 (KR) ..... 30-2018-0061977

(51) **LOC (12) Cl.** ..... **14-03**

(52) **U.S. Cl.**  
USPC ..... **D14/191**

(58) **Field of Classification Search**

USPC ..... D14/135, 137, 139, 155, 157, 188, 191,  
D14/192, 197, 198, 203.1-203.8, 299;  
D10/70, 98

CPC .... G05D 23/1905; G08B 3/00; G08B 3/1008;  
G08B 3/1025; G08B 3/1058; H04B 1/02;  
H04B 1/04; H04B 1/40; H04B 1/0458;  
H04B 1/0475; H04H 20/38; H04H 40/27;  
H04H 60/37; H04H 60/64; H04H 60/73;  
H04L 12/1813; H04L 12/1822; H04L  
67/125; H04M 11/022; H04N 7/147;  
H05K 5/00; H04W 12/02

See application file for complete search history.

(56) **References Cited**

U.S. PATENT DOCUMENTS

D345,360 S *	3/1994	Gioscia .....	D14/171
D514,097 S *	1/2006	De Leon .....	D14/191
D514,547 S *	2/2006	Tragatschnig .....	D14/188
D533,162 S *	12/2006	Lovegreen .....	D14/191
D533,537 S *	12/2006	Reardon .....	D14/172
D630,193 S *	1/2011	Bennett .....	D14/167
D639,844 S *	6/2011	Lee .....	D14/168
D642,556 S *	8/2011	Lee .....	D13/108
D707,651 S *	6/2014	Tsai .....	D14/191
D792,370 S *	7/2017	Iransi .....	D14/191
D796,434 S *	9/2017	Li .....	D13/108
D802,024 S *	11/2017	Aoki .....	D15/5
D865,935 S *	11/2019	Hu .....	D23/366

\* cited by examiner

*Primary Examiner* — Keli L Hill

(74) *Attorney, Agent, or Firm* — NSIP Law

(57) **CLAIM**

We claim the ornamental design for a radio pager, as shown and described.

**DESCRIPTION**

FIG. 1 is a top front perspective view of a radio pager showing our new design;

FIG. 2 is a front view thereof;

FIG. 3 is a rear view thereof;

FIG. 4 is a left-side view thereof;

FIG. 5 is a right-side view thereof;

FIG. 6 is a bottom view thereof;

FIG. 7 is a top view thereof; and,

FIG. 8 is a bottom front perspective view thereof.

The broken lines shown in the drawings are included for the purpose of illustrating portions of the Radio Pager that form no part of the claimed design.

**1 Claim, 8 Drawing Sheets**

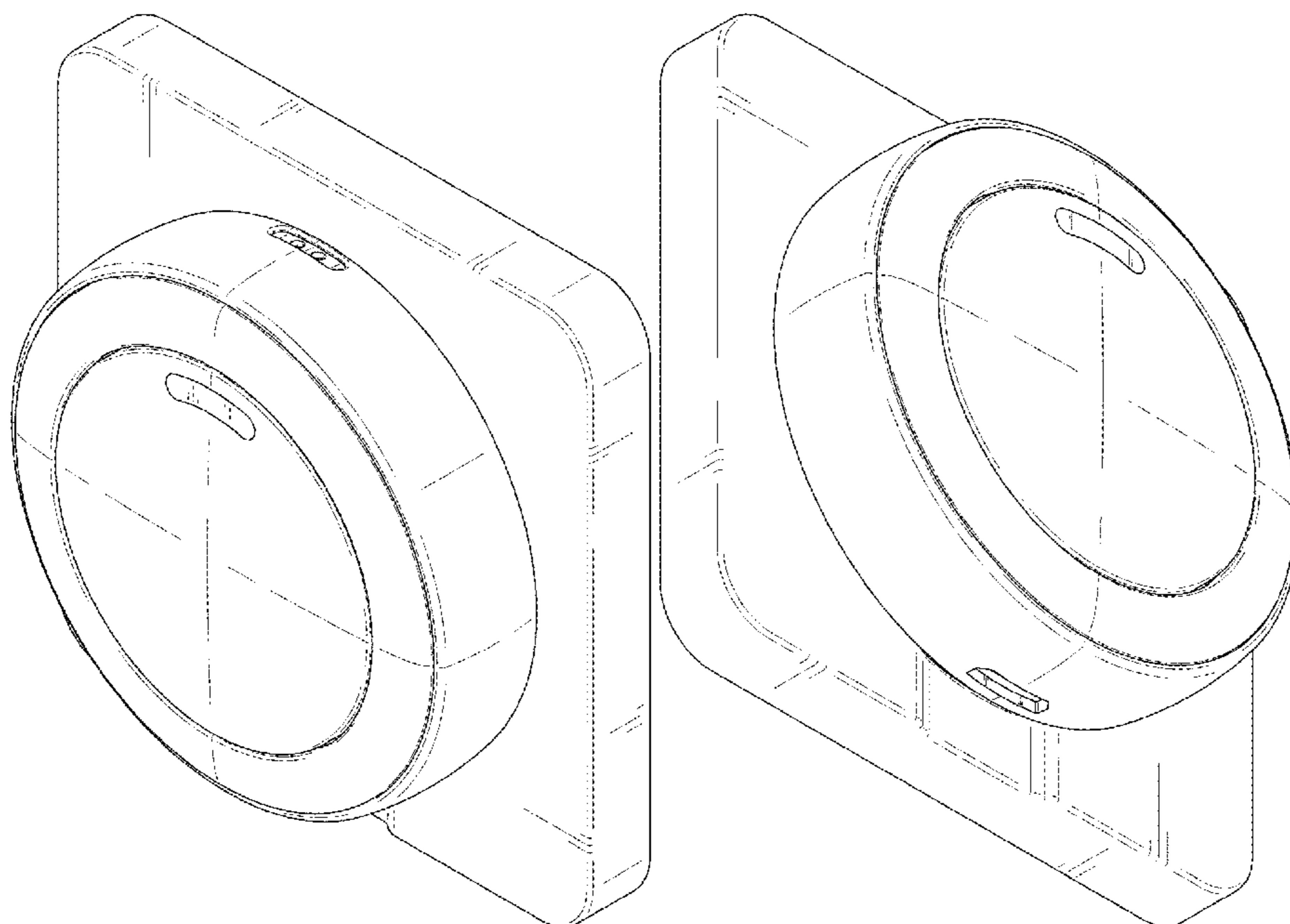


FIG. 1

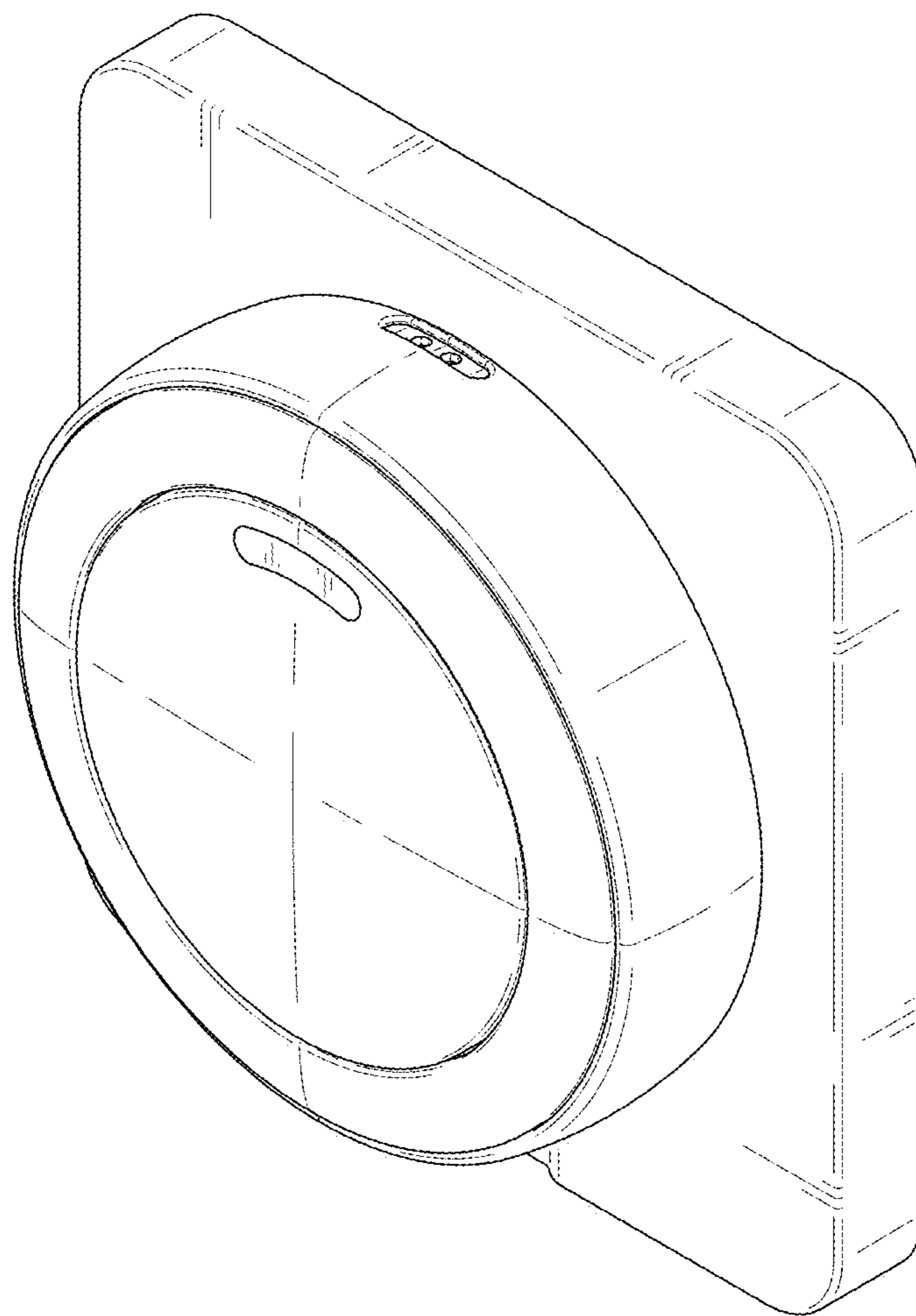


FIG. 2

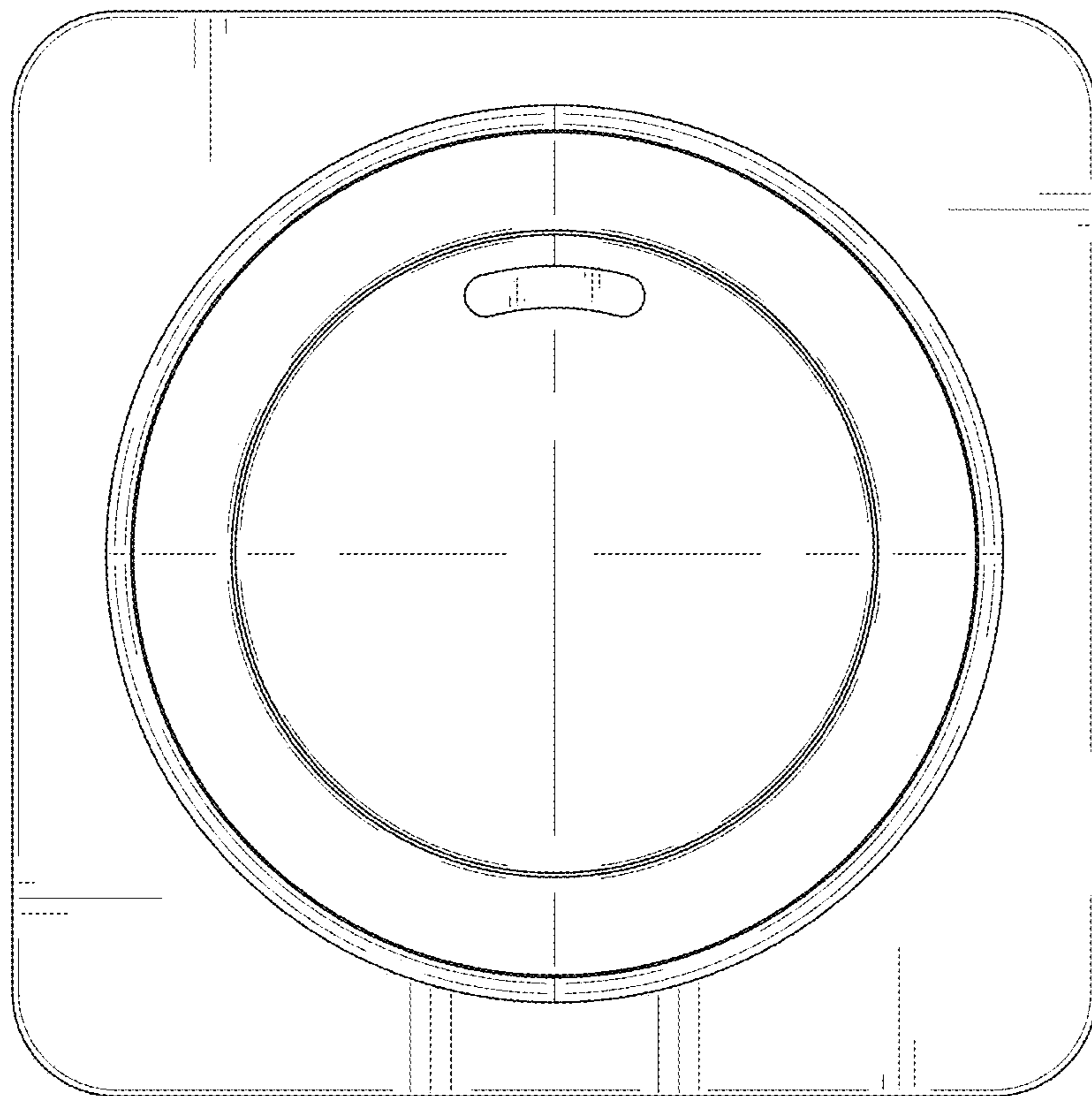


FIG. 3

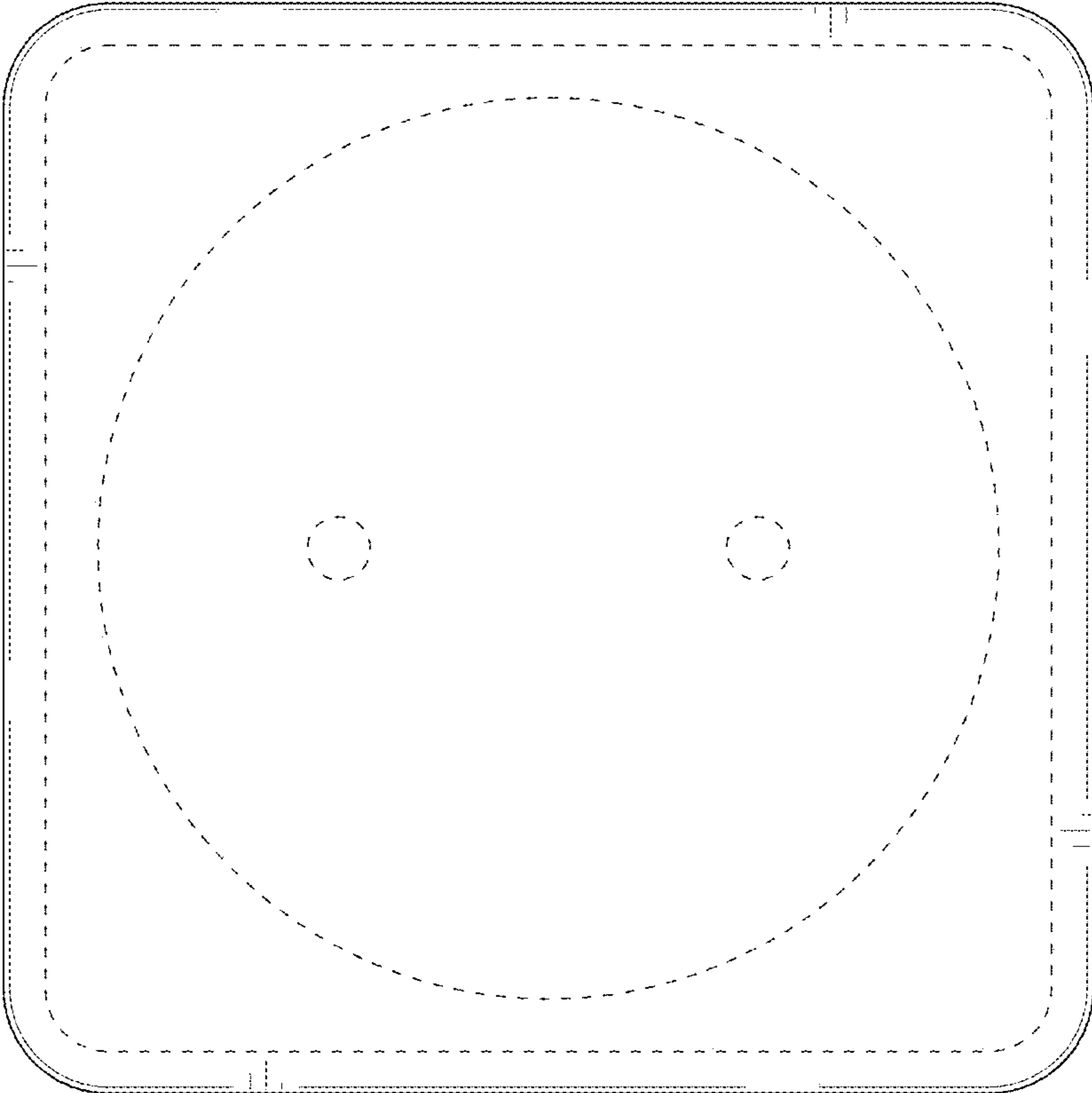


FIG. 4

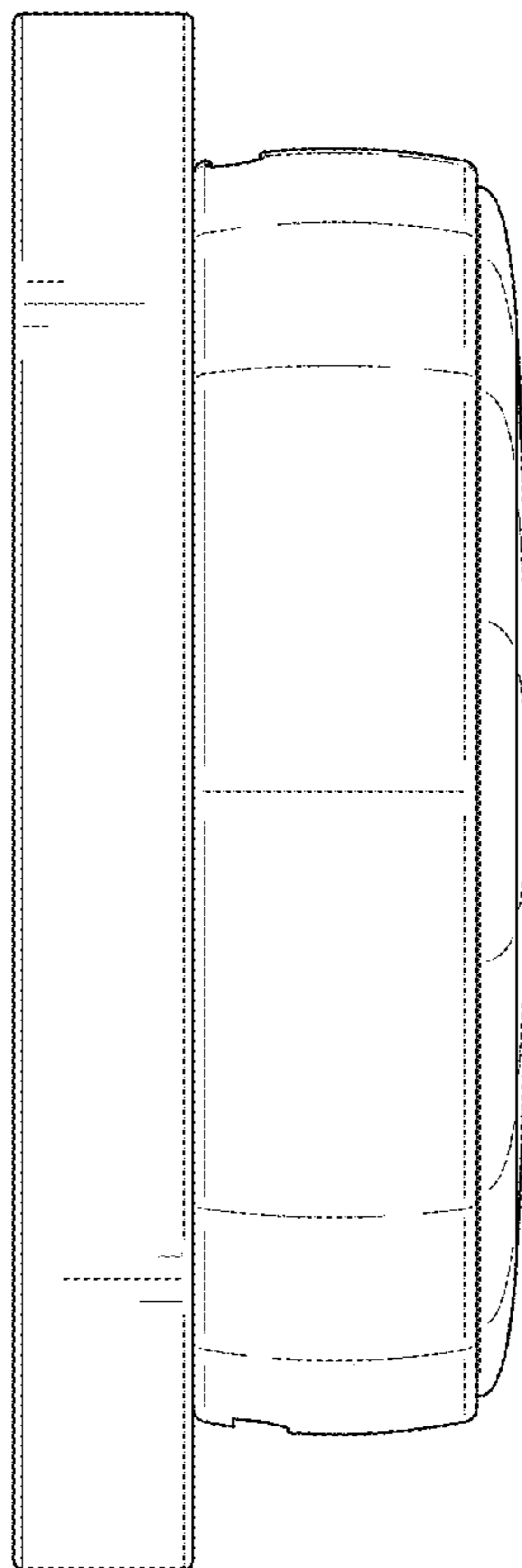


FIG. 5

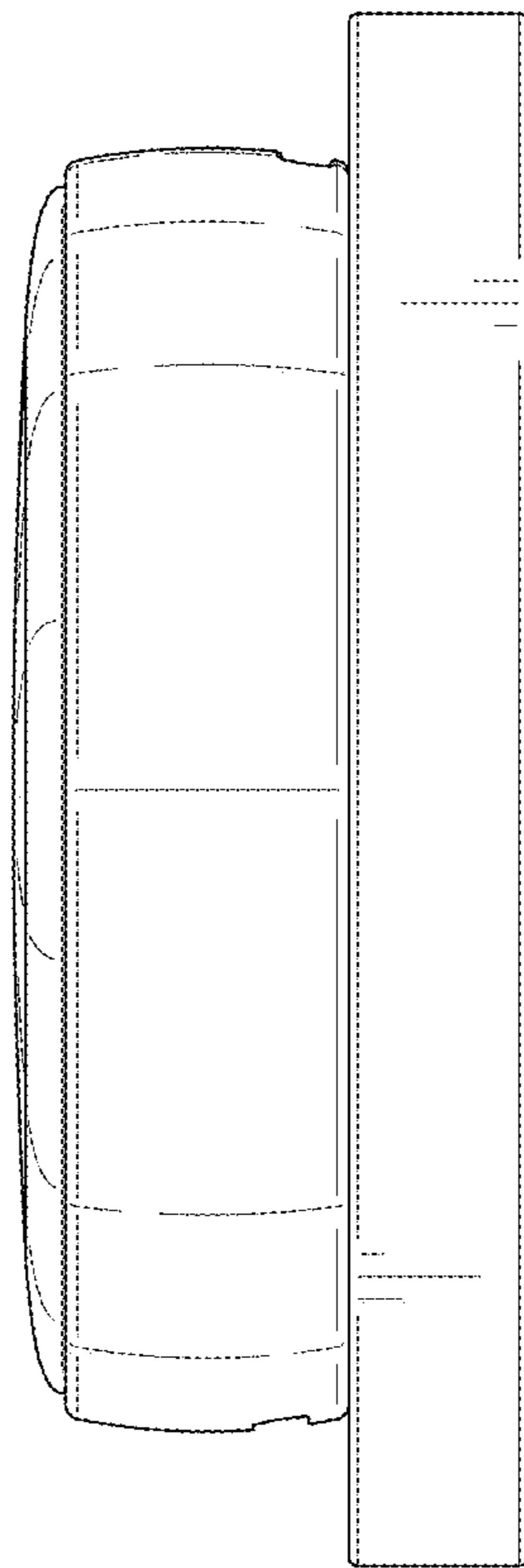


FIG. 6

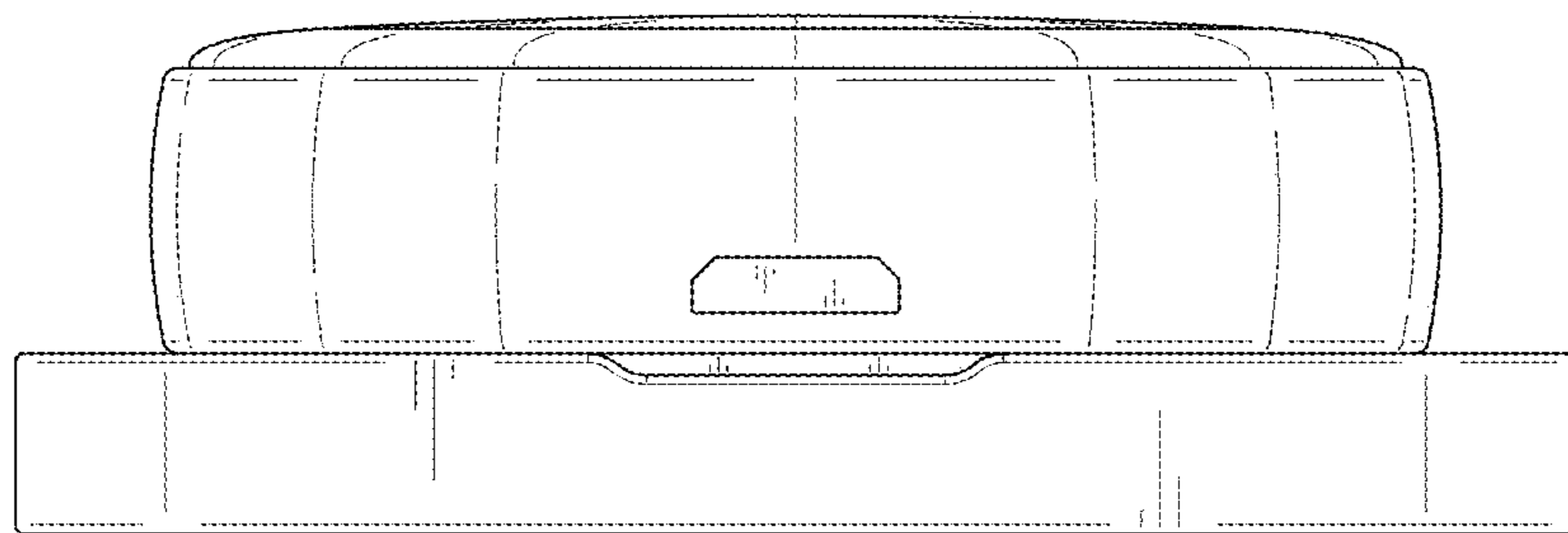


FIG. 7

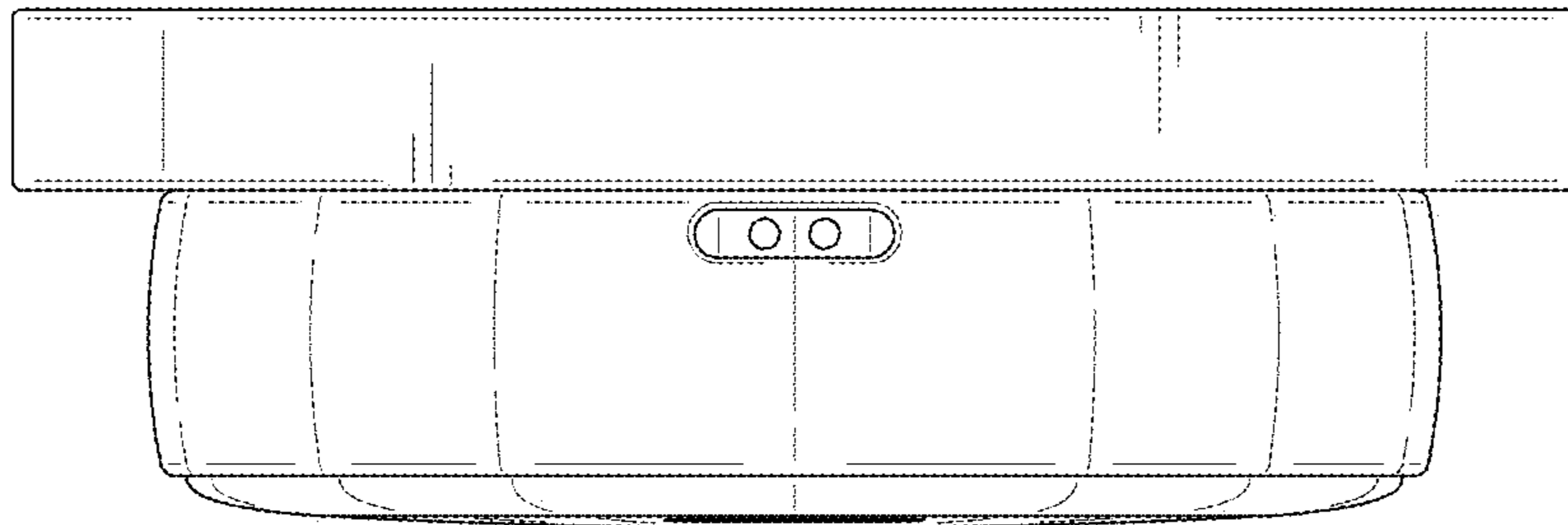




FIG. 8

