



US00D904327S

(12) **United States Design Patent** (10) **Patent No.:** **US D904,327 S**  
**Obernesser et al.** (45) **Date of Patent:** **\*\* Dec. 8, 2020**

(54) **FREESTANDING BLANKING PANEL**

(71) Applicant: **FMR LLC**, Boston, MA (US)

(72) Inventors: **Brian Obernesser**, Raleigh, NC (US);  
**Russell Craig Griffith**,  
McClellandtown, PA (US)

(73) Assignee: **FMR LLC**, Boston, MA (US)

(\*\*) Term: **15 Years**

(21) Appl. No.: **29/643,626**

(22) Filed: **Apr. 10, 2018**

(51) **LOC (12) Cl.** ..... **13-03**

(52) **U.S. Cl.**  
USPC ..... **D13/184**

(58) **Field of Classification Search**  
USPC ..... D11/164; D25/58, 59, 138; D6/329,  
D6/332, 552; D20/10; 29/525.01;  
312/236; 361/679.02, 731; 211/26;  
160/369, 371, 379; D13/133, 158, 199,  
D13/184  
CPC ..... H05K 7/1488; H05K 7/183; H05K 7/18;  
H05K 7/20709; Y10T 29/49629; A47B  
47/05

See application file for complete search history.

(56) **References Cited**

**U.S. PATENT DOCUMENTS**

- 2,801,454 A \* 8/1957 Troiel ..... E04G 9/06  
249/190  
3,592,288 A \* 7/1971 Walter ..... E04B 1/8227  
181/30  
D402,639 S \* 12/1998 Baxter ..... D13/184  
6,349,516 B1 \* 2/2002 Powell ..... E04B 2/7437  
52/220.7  
D572,672 S \* 7/2008 Adducci ..... D13/184  
D600,053 S \* 9/2009 Chen ..... D6/703  
D630,173 S \* 1/2011 Donowho ..... D13/184  
D632,660 S \* 2/2011 Donowho ..... D13/184

- 9,359,771 B1 \* 6/2016 Delforte ..... E04F 13/0882  
D857,639 S \* 8/2019 Reese ..... D13/184  
10,405,673 B1 \* 9/2019 Ondrasik ..... A47B 57/588  
2008/0104895 A1 \* 5/2008 Deweerd ..... E04B 2/7425  
52/79.9  
2009/0059486 A1 \* 3/2009 Taylor ..... H05K 7/1488  
361/679.02

(Continued)

**OTHER PUBLICATIONS**

National Manufacturing, "Corner Brace for Slotted Angle, 4 Pack,"  
Cox Hardware & Lumber, 2015, <https://www.coxhardware.com/p-8389-corner-brace-for-slotted-angle-4-pack.aspx>, last visited Feb.  
6, 2018.

(Continued)

*Primary Examiner* — W. A. Teddy Falloway  
(74) *Attorney, Agent, or Firm* — Proskauer Rose LLP

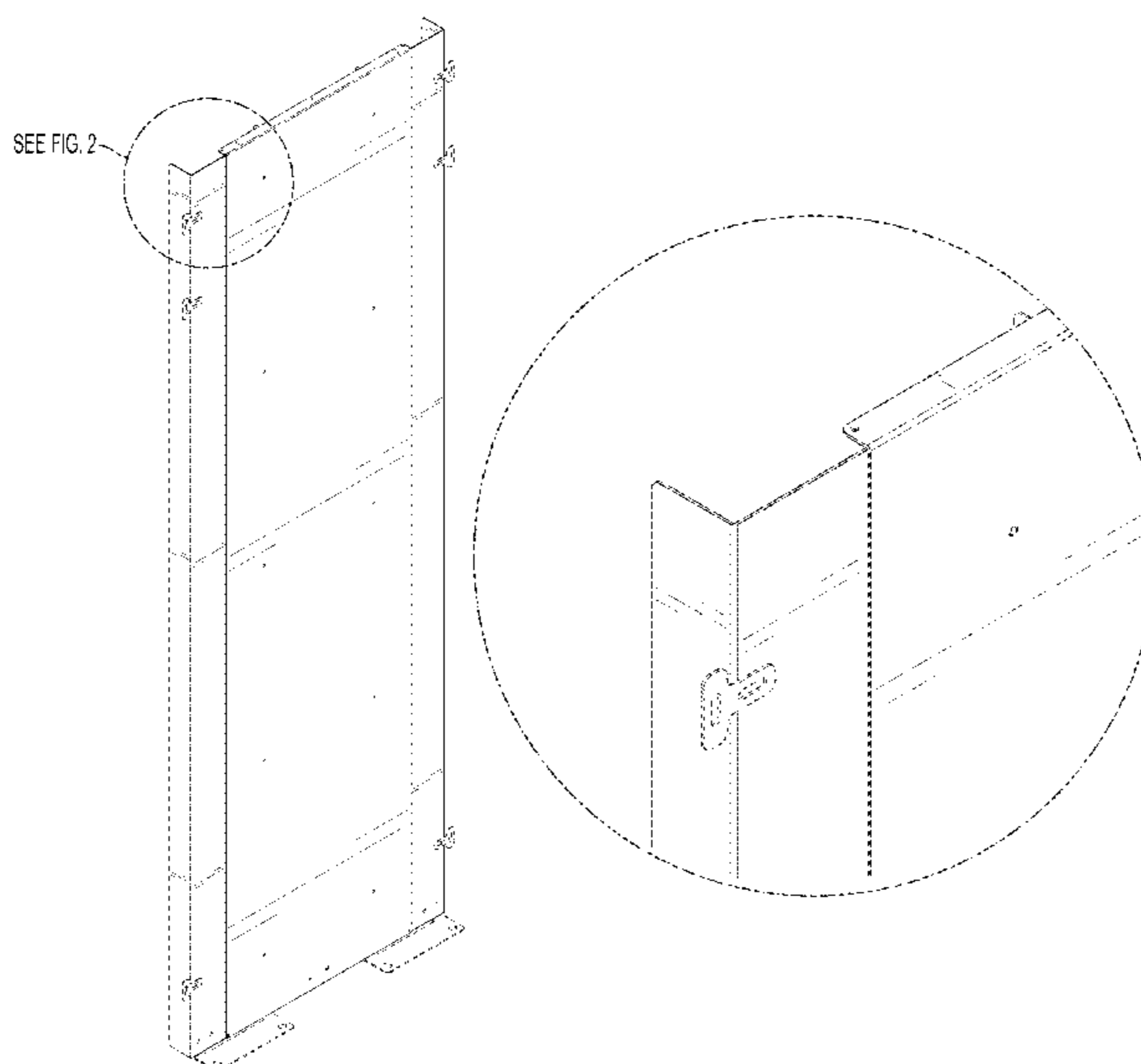
(57) **CLAIM**

The ornamental design for a freestanding blanking panel, as  
shown and described.

**DESCRIPTION**

FIG. 1 is a front perspective view of a freestanding blanking  
panel showing our new design;  
FIG. 2 is a detail view of a portion thereof, as identified in  
FIG. 1;  
FIG. 3 is a rear perspective view thereof;  
FIG. 4 is a front view thereof;  
FIG. 5 is a rear view thereof;  
FIG. 6 is a right side view thereof;  
FIG. 7 is a left side view thereof;  
FIG. 8 is a top view thereof; and,  
FIG. 9 is a bottom view thereof.  
The broken lines shown in the drawings illustrate portions of  
the freestanding blanking panel that form no part of the  
claimed design.

**1 Claim, 7 Drawing Sheets**



(56)

**References Cited**

U.S. PATENT DOCUMENTS

2010/0007252 A1\* 1/2010 Liu ..... G06F 1/183  
312/223.2  
2010/0096893 A1\* 4/2010 Walker ..... A47C 9/022  
297/217.1  
2010/0126949 A1\* 5/2010 De Souza ..... A47B 47/05  
211/26  
2011/0175505 A1\* 7/2011 Linhares, Jr. .... H05K 7/20736  
312/236  
2011/0277407 A1\* 11/2011 Masure ..... E04C 2/296  
52/309.4  
2011/0310550 A1\* 12/2011 Xu ..... G06F 1/20  
361/679.33  
2012/0273438 A1\* 11/2012 Nordin ..... H04Q 1/025  
211/26  
2013/0039004 A1\* 2/2013 Li ..... H05K 7/1492  
361/679.48  
2013/0039006 A1\* 2/2013 Li ..... H05K 7/20736  
361/679.48  
2013/0342991 A1\* 12/2013 Sun ..... G06F 1/20  
361/679.46  
2014/0153186 A1\* 6/2014 Liu ..... G06F 1/189  
361/679.58  
2014/0153187 A1\* 6/2014 Liu ..... H02G 3/32  
361/679.58  
2015/0020468 A1\* 1/2015 Wickstrom ..... E04F 13/0816  
52/274  
2016/0157385 A1\* 6/2016 Chan ..... H05K 7/1497  
312/236  
2016/0194870 A1\* 7/2016 Oliveira ..... E04B 2/789  
160/369  
2017/0064873 A1\* 3/2017 Kerrigan ..... H05K 7/20781  
2017/0164504 A1\* 6/2017 Blume ..... H05K 7/1487  
2017/0164505 A1\* 6/2017 Sarti ..... H05K 7/1492

2017/0215587 A1\* 8/2017 Jost ..... A47B 57/54  
2018/0184539 A1\* 6/2018 Zhang ..... H05K 7/1487  
2018/0184540 A1\* 6/2018 Zhou ..... H05K 7/1492  
2018/0184541 A1\* 6/2018 Zhang ..... H05K 7/1492  
2018/0352674 A1\* 12/2018 Walsh ..... H05K 7/18  
2019/0136544 A1\* 5/2019 Bourne ..... B21D 28/26  
2019/0141852 A1\* 5/2019 Anderson ..... H05K 7/1495  
2019/0159358 A1\* 5/2019 Chen ..... H05K 7/1495  
2019/0376288 A1\* 12/2019 Worton ..... E04C 2/425

OTHER PUBLICATIONS

Quest Manufacturing Co., "2-Post Cage Nut Open Frame Steel Floor Rack," Quest Manufacturing Co., <http://qm.questtechnologyintl.com/product.cfm?product=56#tabs1-b>, last visited Feb. 6, 2018.  
RackSolutions, Inc., "Relay-Rack—23in," RackSolutions, Inc., Oct. 17, 2014, 1 page.  
RackSolutions, Inc., "Telco Relay 2 Post Rack," RackSolutions, Inc., <https://www.racksolutions.com/relay-racks.html>, last visited Feb. 6, 2018.  
Raising Electronics, "Fixed Rack Server Shelf 1U-For 800MM Deep Cabinets/racks," Raising Electronics, <http://www.risingracks.com/fixed-rack-server-shelf-1u-for-800mm-deep-cabinets-racks.html>, last visited Feb. 6, 2018.  
Simplex Isolation Systems, "Airblock Data Center Systems Product Bulletin on Expandable Fill Panels," Simplex Isolation Systems, 2011, 3 pages.  
Todd, Jeremy, "EFP Details," Simplex Strip Doors, Inc., 2011, 1 page.  
Upsite Technologies, "AisleLok Modular Containment Adjustable Rack Gap Panel," Upsite Technologies, 2015, 2 pages.  
Upsite Technologies, "Upsite-Configs.277-copy.png (2200x1602)," Upsite Technologies, <http://www.upsite.com/wp-content/uploads/Upsite-Configs.277-copy.png>, last visited Feb. 6, 2018, 1 page.

\* cited by examiner

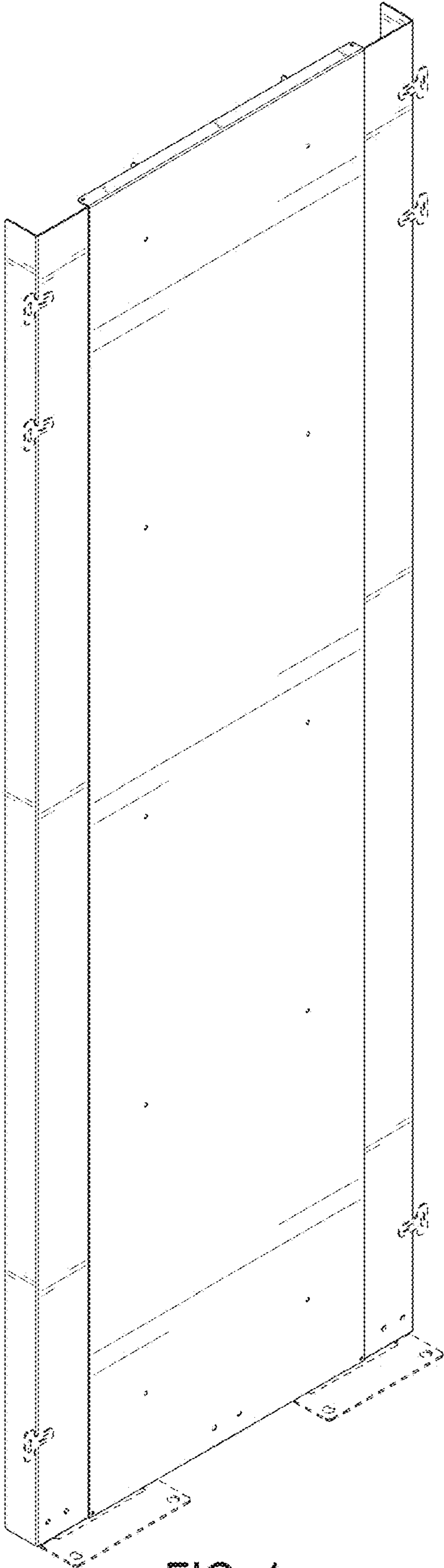


FIG. 1

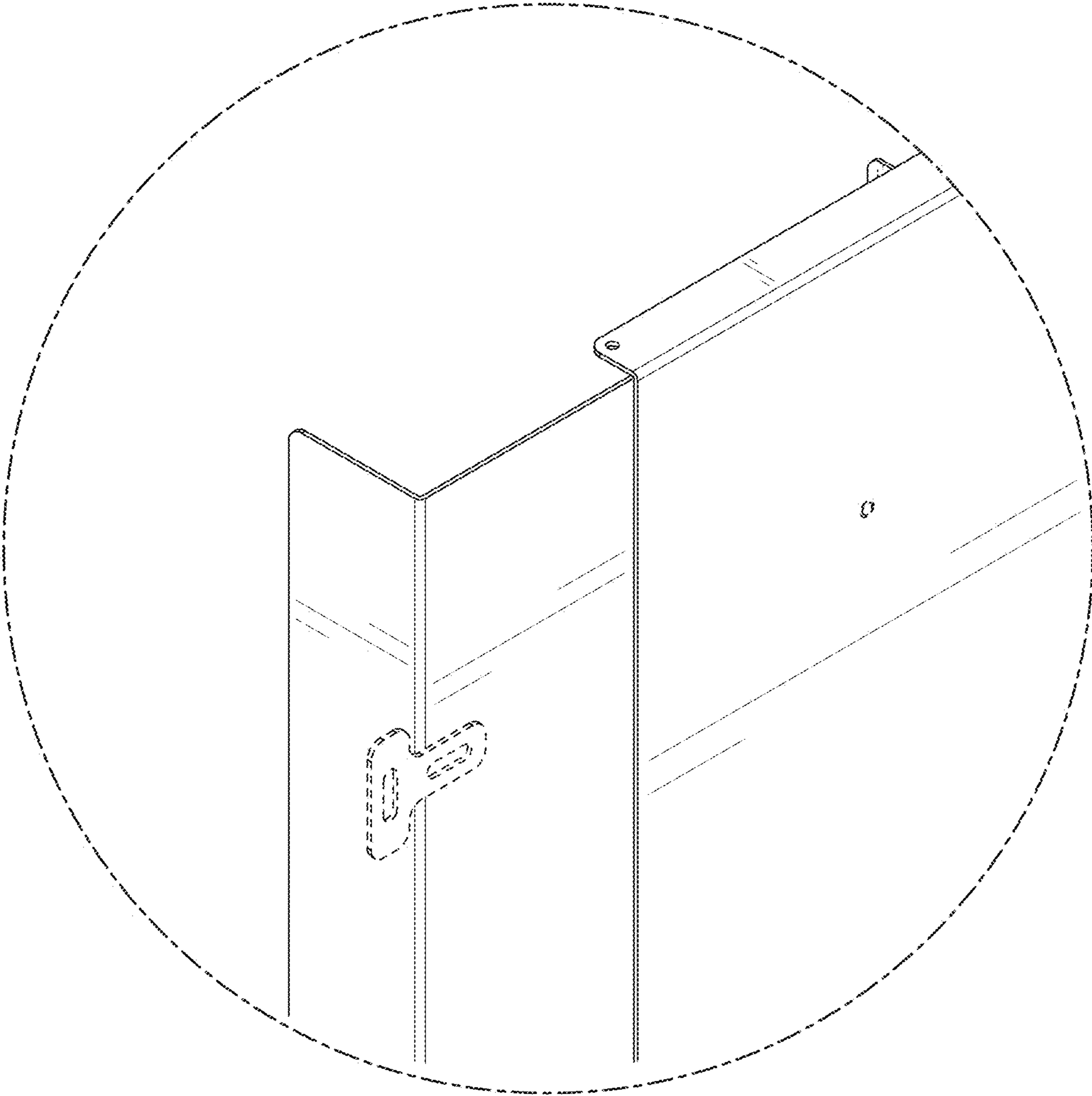


FIG. 2

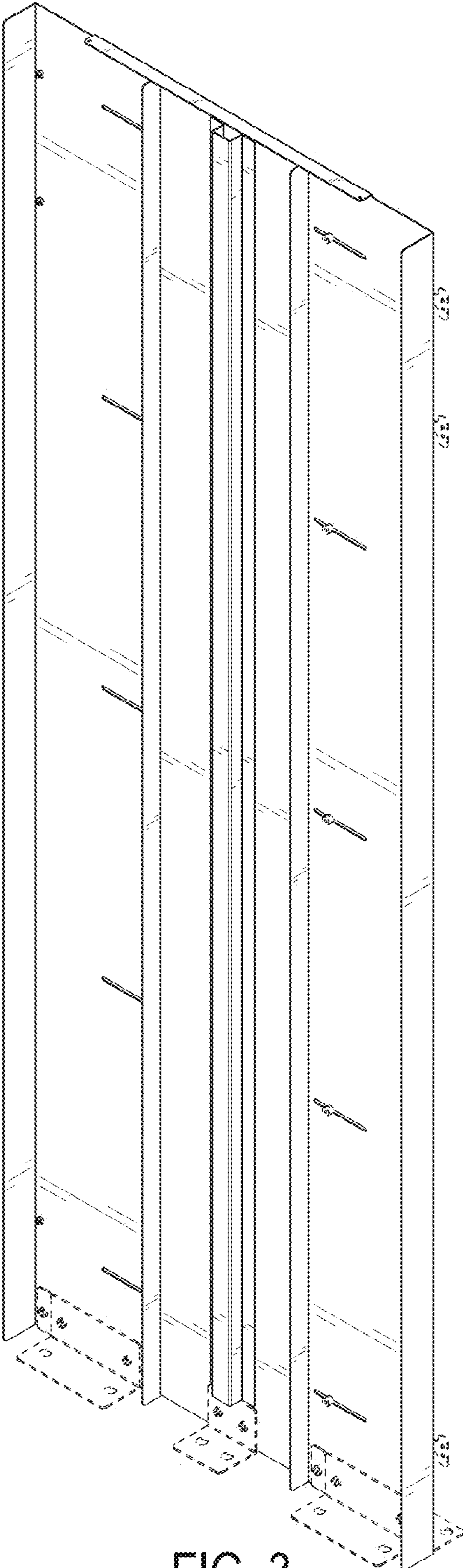


FIG. 3

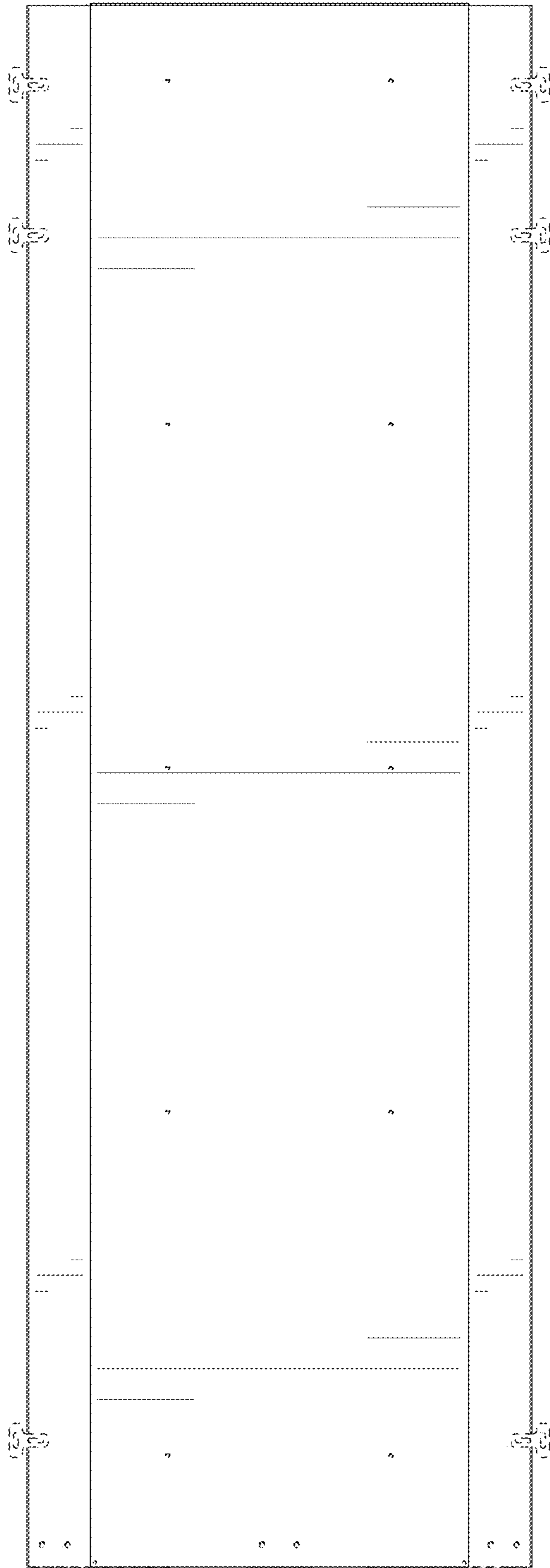


FIG. 4

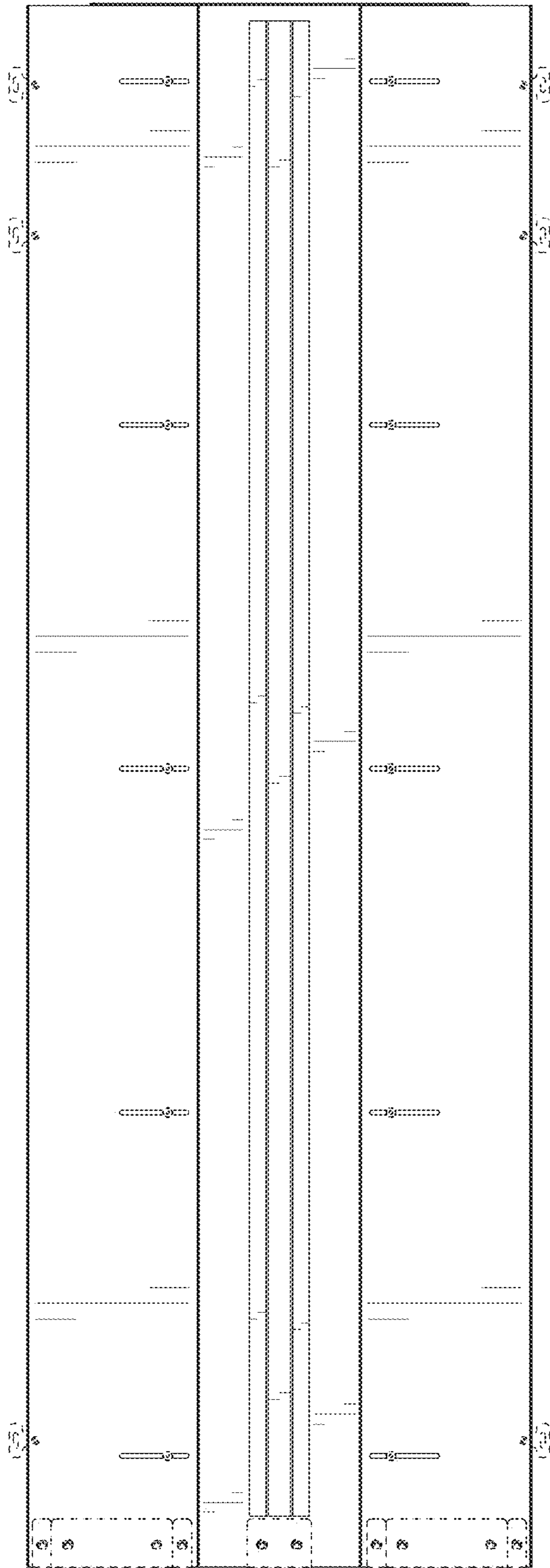


FIG. 5

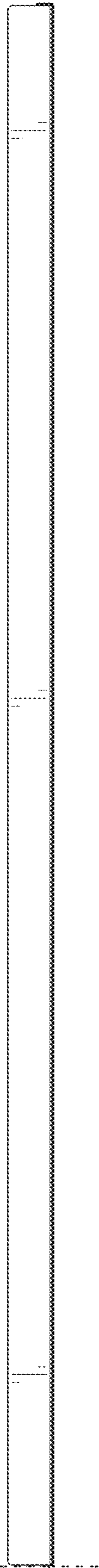


FIG. 6

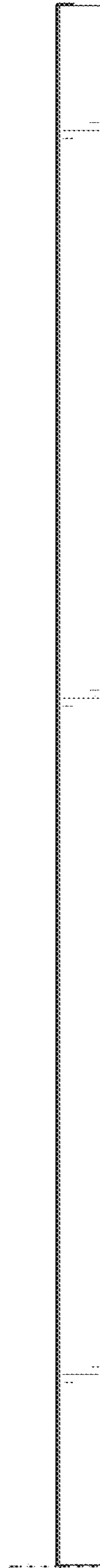


FIG. 7



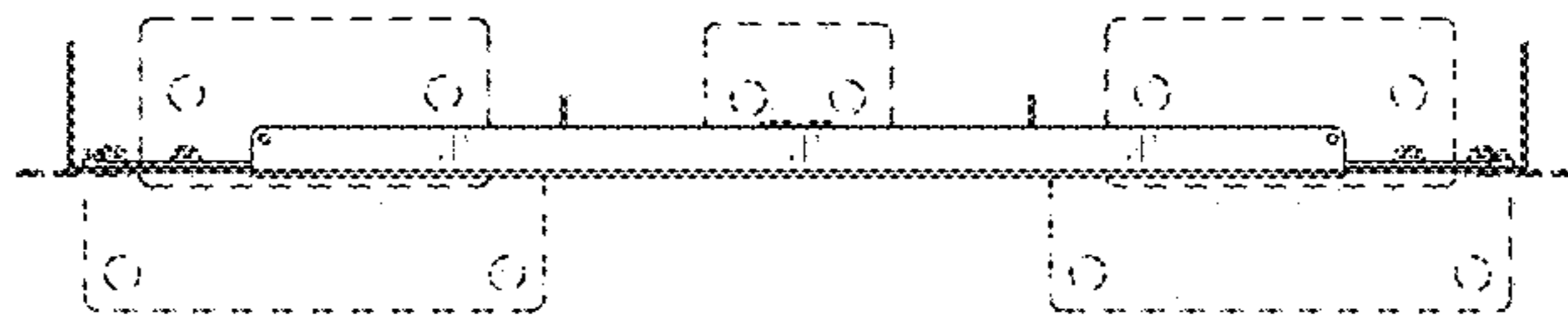


FIG. 8

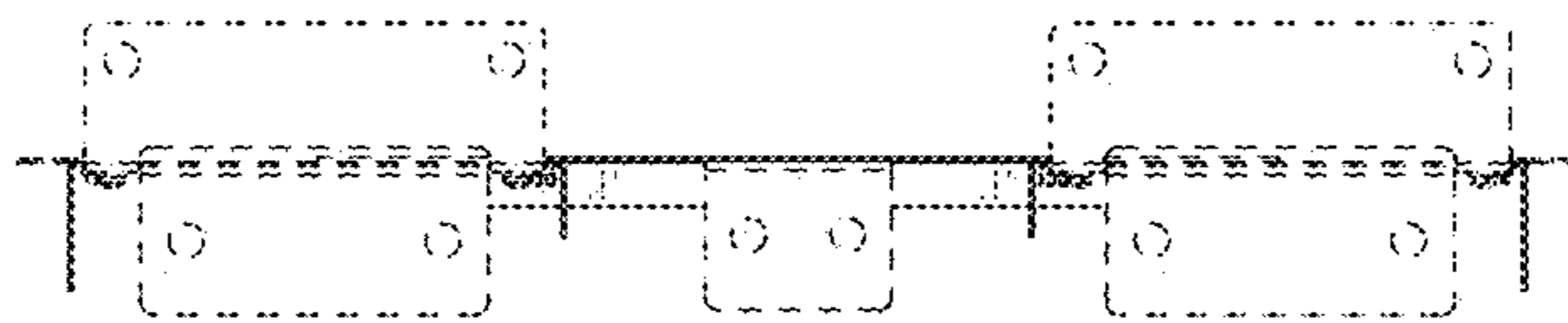


FIG. 9