



US00D904318S

(12) **United States Design Patent** (10) **Patent No.:** **US D904,318 S**  
**Ryder et al.** (45) **Date of Patent:** **\*\* Dec. 8, 2020**

(54) **CONTROL PENDANT**  
(71) Applicant: **Graco Minnesota Inc.**, Minneapolis, MN (US)  
(72) Inventors: **Douglas S. Ryder**, Buffalo, MN (US); **Charles W. Dawson**, Otsego, MN (US)  
(73) Assignee: **Graco Minnesota Inc.**, Minneapolis, MN (US)  
(\*\*) Term: **15 Years**  
(21) Appl. No.: **29/717,056**  
(22) Filed: **Dec. 13, 2019**  
(51) **LOC (12) Cl.** ..... **14-03**  
(52) **U.S. Cl.**  
USPC ..... **D13/168**  
(58) **Field of Classification Search**  
USPC ..... D13/158, 162, 168; D34/33, 35  
CPC ..... H01H 9/0214; H01H 9/0235; H01H 9/04; H01H 9/06  
See application file for complete search history.

5,239,143 A 8/1993 Valenzona  
D477,901 S \* 7/2003 Robinson ..... D34/33  
6,700,091 B2 3/2004 Jones et al.  
6,822,853 B2 \* 11/2004 Wulff ..... G06F 1/1626  
235/145 R  
D527,966 S 9/2006 Hayakawa et al.  
D552,562 S 10/2007 Yamamoto et al.  
D662,477 S 6/2012 Hagan et al.  
D685,241 S 7/2013 Waldron  
D700,031 S 2/2014 Aglassinger  
D714,739 S 10/2014 Rantala  
D715,230 S 10/2014 Rantala  
D867,309 S \* 11/2019 Detering ..... D13/168  
D875,690 S \* 2/2020 Krebs ..... D13/168  
D880,431 S \* 4/2020 Fretz ..... D13/168  
2010/0258631 A1 10/2010 Rueblinger et al.  
2018/0314288 A1 \* 11/2018 Dawson ..... F04B 41/02

\* cited by examiner

*Primary Examiner* — Selina Sikder  
(74) *Attorney, Agent, or Firm* — Kinney & Lange, P. A.

(57) **CLAIM**

The ornamental design for a control pendant, as shown and described.

**DESCRIPTION**

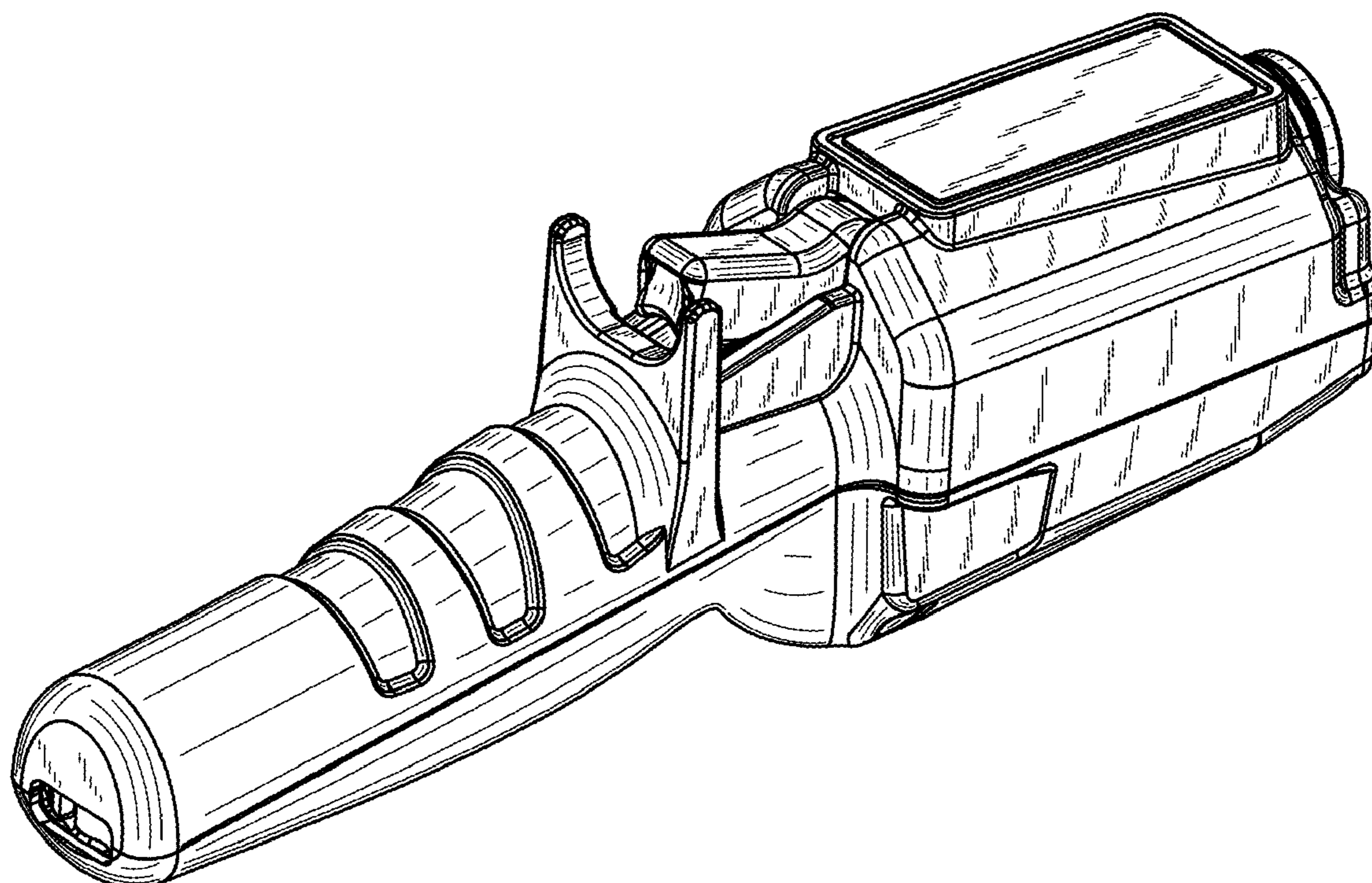
FIG. 1 is a perspective view of a control pendant; FIG. 2 is a rear elevation view of the control pendant; FIG. 3 is a front elevational view of the control pendant; FIG. 4 is a right side view of the control pendant; FIG. 5 is a left side view of the control pendant; FIG. 6 is a bottom plan view of the control pendant; and, FIG. 7 is a top plan view of the control pendant.

**1 Claim, 2 Drawing Sheets**

(56) **References Cited**

**U.S. PATENT DOCUMENTS**

3,379,852 A 4/1968 Korshak  
3,654,415 A 4/1972 Hawkins et al.  
3,715,544 A 2/1973 Duve  
3,931,486 A 1/1976 Raetz  
4,105,882 A 8/1978 Ulbing et al.  
4,152,563 A 5/1979 Bongort  
D252,567 S \* 8/1979 Harbage ..... D13/168  
4,849,587 A 7/1989 Bacon



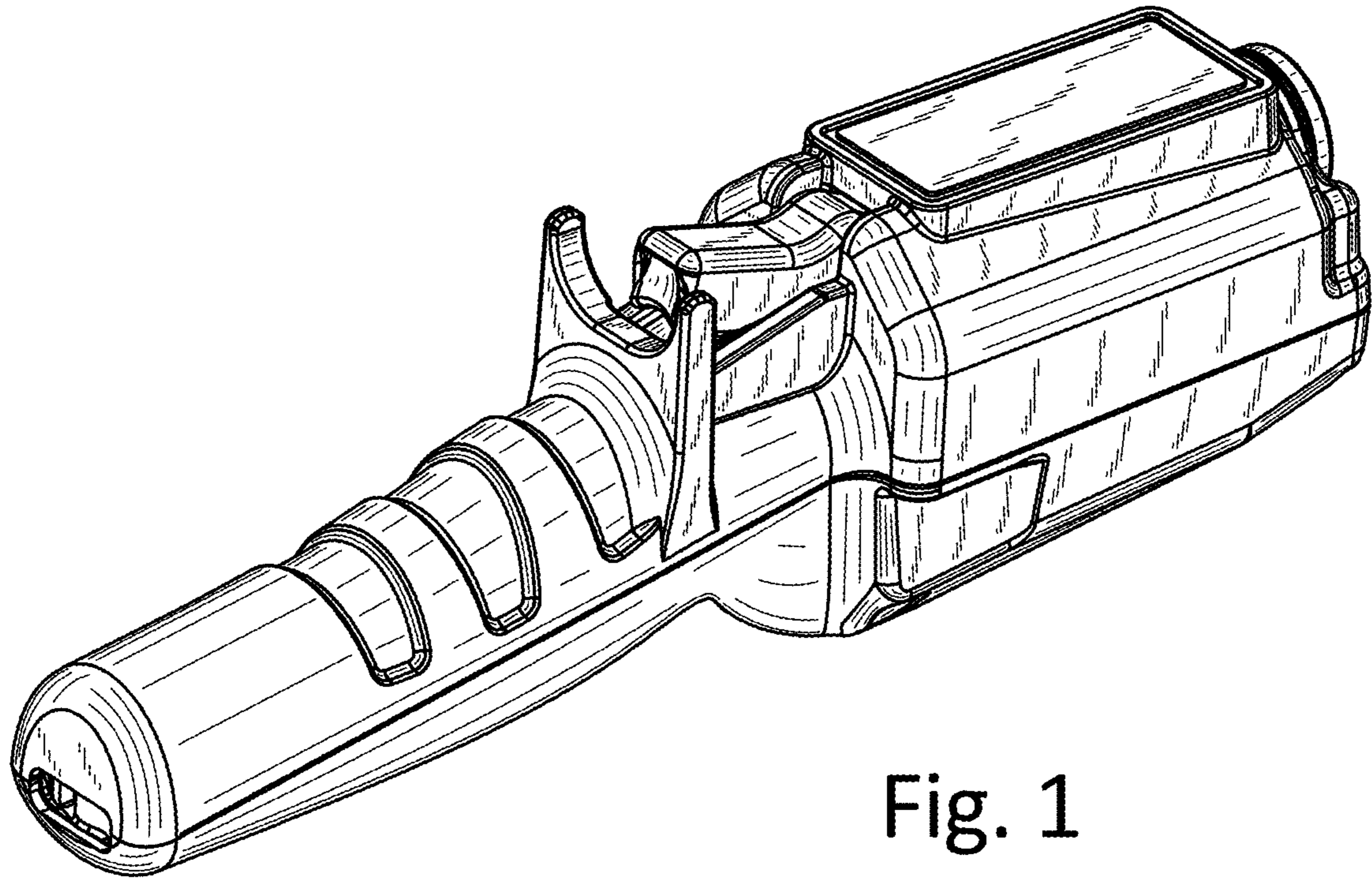


Fig. 1

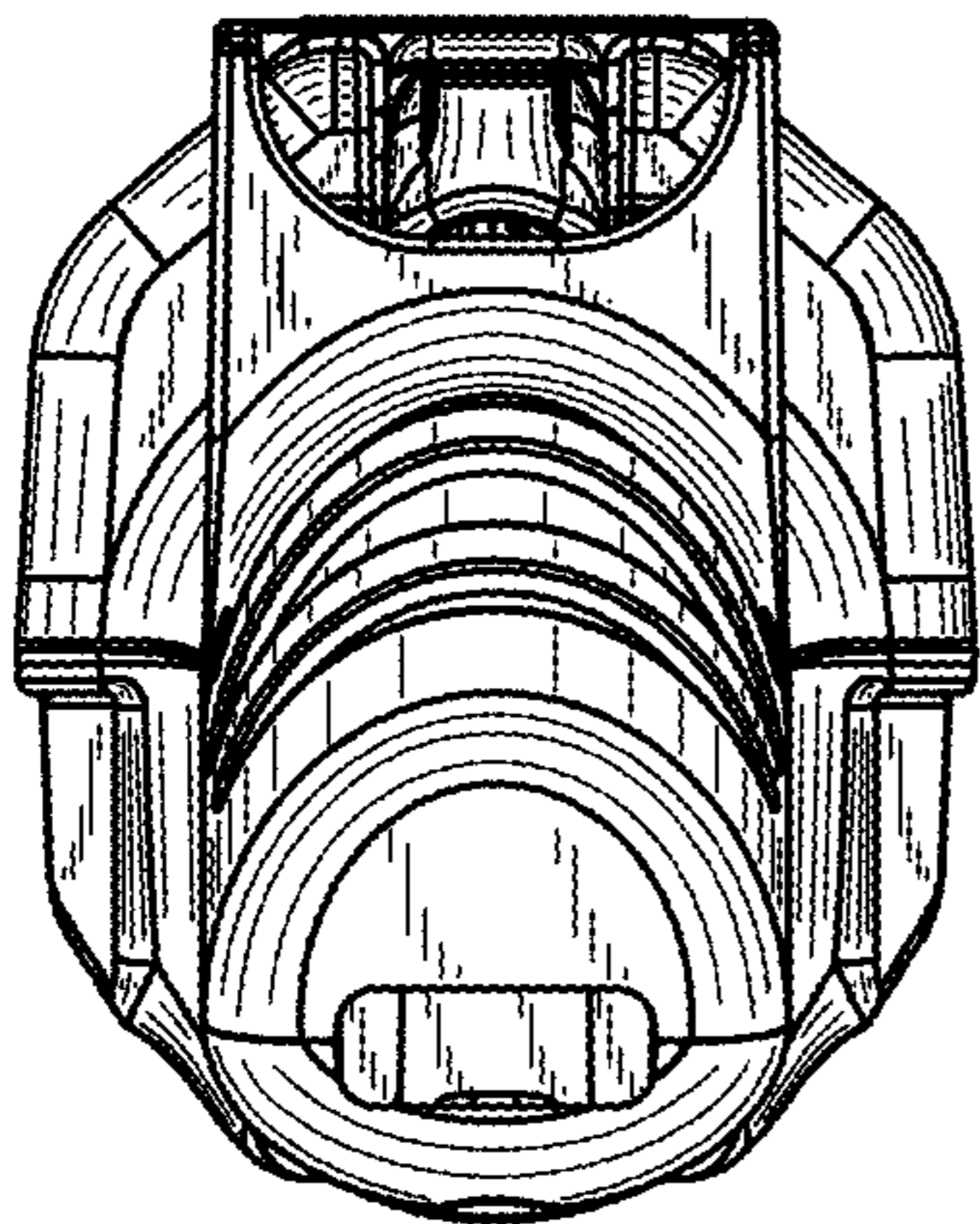


Fig. 2

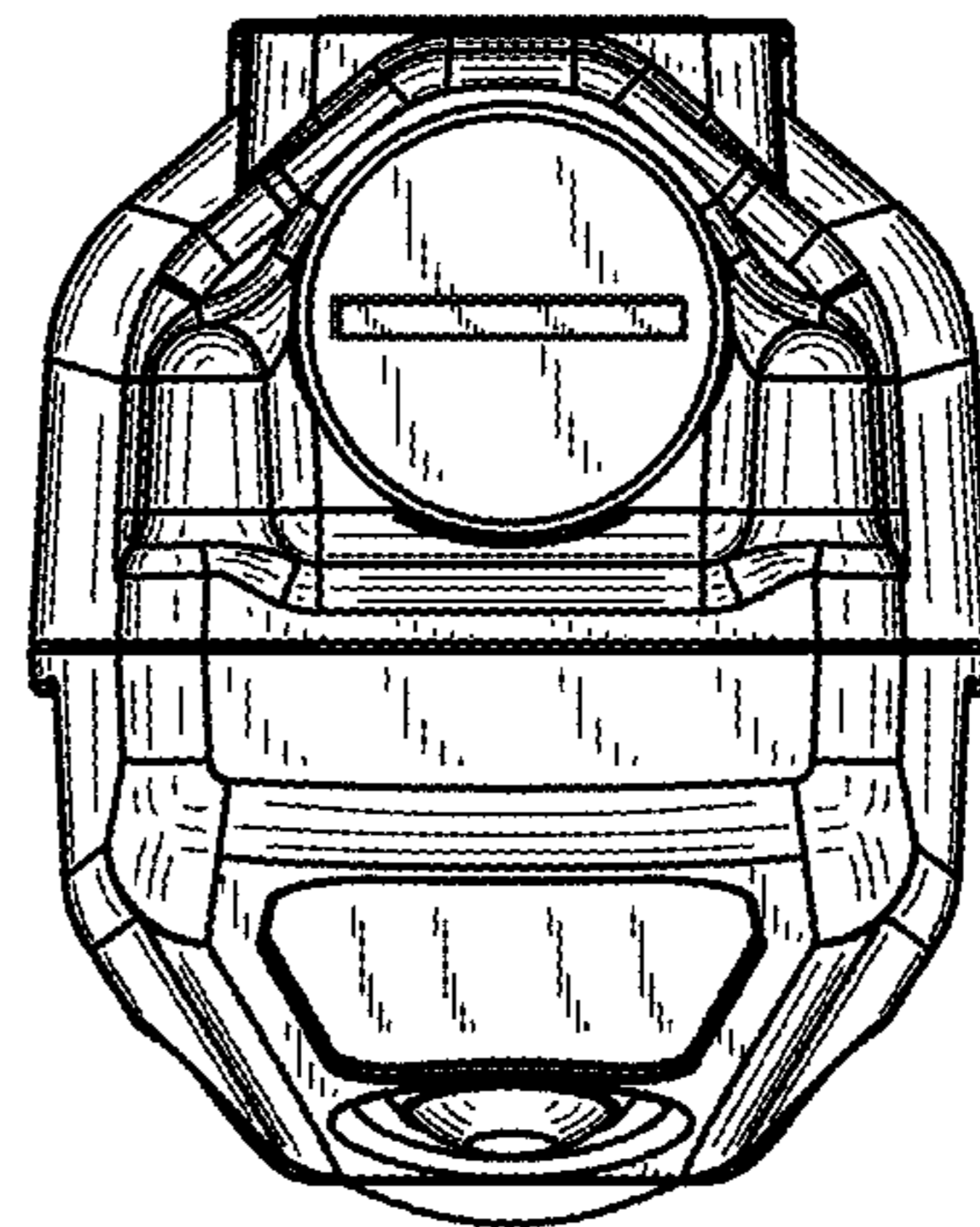


Fig. 3



Fig. 4

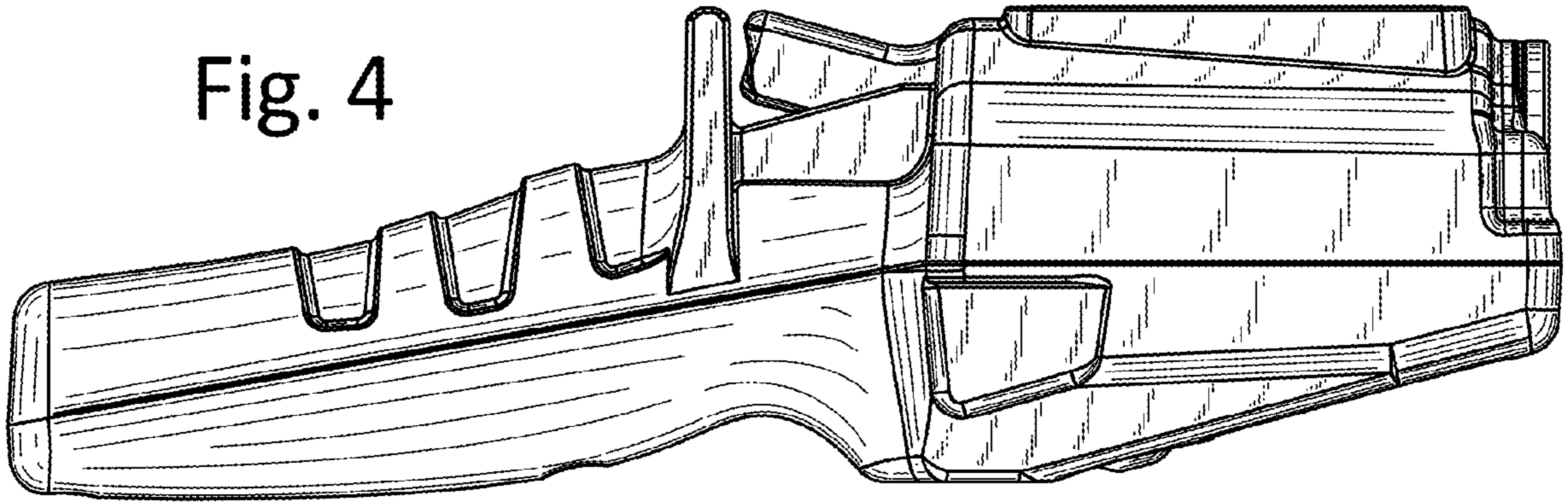


Fig. 5

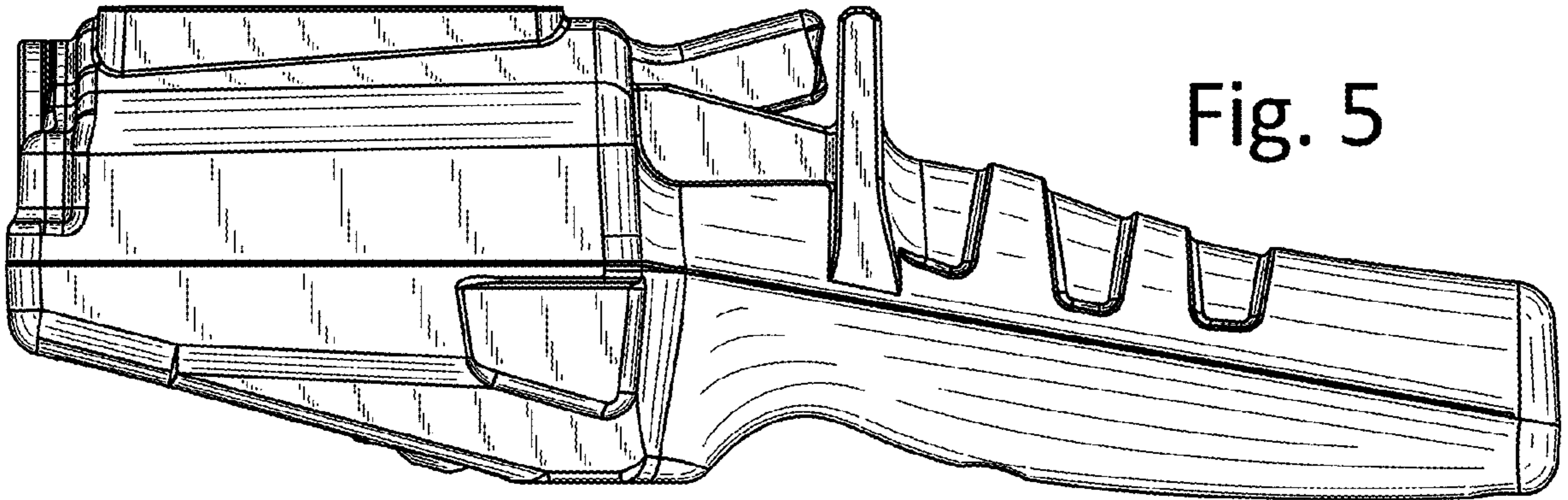


Fig. 6

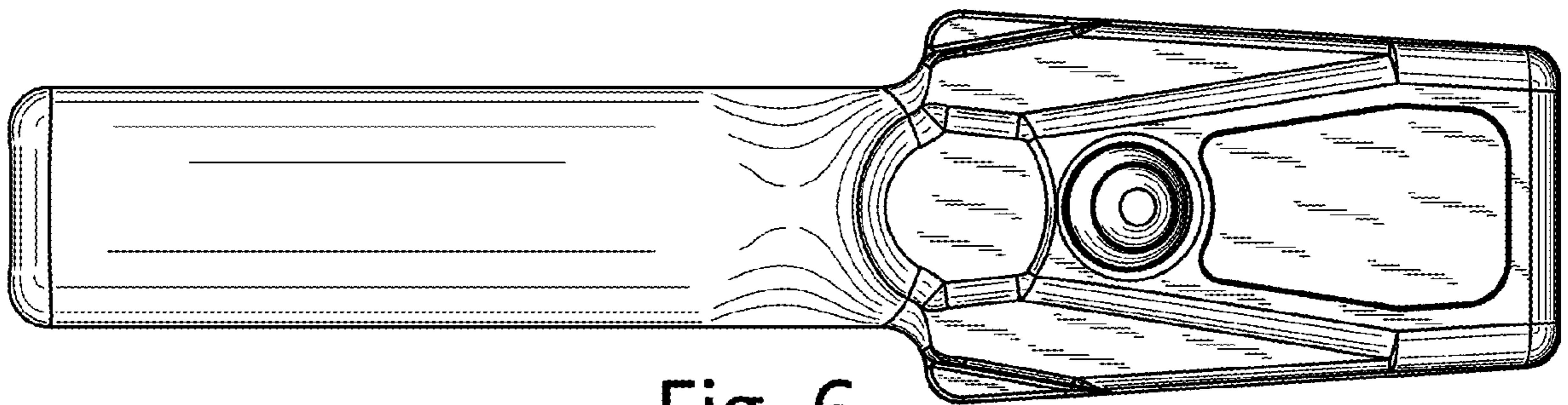


Fig. 7

