

US00D904316S

(12) **United States Design Patent**
Cartmill et al.

(10) **Patent No.:** **US D904,316 S**

(45) **Date of Patent:** **** Dec. 8, 2020**

(54) **COMBINED CONTROL MODULE AND RECEPTACLE FOR A HOT WATER HEATER**

(71) Applicant: **Think Tank Water Heaters Ltd.**,
Fredericton (CA)

(72) Inventors: **Charles Andrew Cartmill**, Halifax (CA); **Kent Mader**, Fredericton (CA); **Simon Lightbody**, Fredericton (CA); **Damon Langlois**, Fredericton (CA); **Bryn Lucas**, Fredericton (CA); **Lorne Vaasjo**, Fredericton (CA)

(**) Term: **15 Years**

(21) Appl. No.: **29/607,604**

(22) Filed: **Jun. 14, 2017**

(30) **Foreign Application Priority Data**

Dec. 14, 2016 (WO) PCT/CA2016/051474

(51) **LOC (12) Cl.** **13-03**

(52) **U.S. Cl.**
USPC **D13/162; D23/233**

(58) **Field of Classification Search**
USPC D13/110, 118–121, 123, 133, 154,
D13/158–162, 173, 184, 199; D23/318,
D23/322, 323; D8/300, 307
(Continued)

(56) **References Cited**

U.S. PATENT DOCUMENTS

D377,936 S * 2/1997 Imahori D10/75
D660,228 S * 5/2012 Matsuoka D13/110
(Continued)

Primary Examiner — Angela J Lee
Assistant Examiner — Shawn T Gingrich

(74) *Attorney, Agent, or Firm* — FisherBroyles, LLP;
Susan M. Oiler

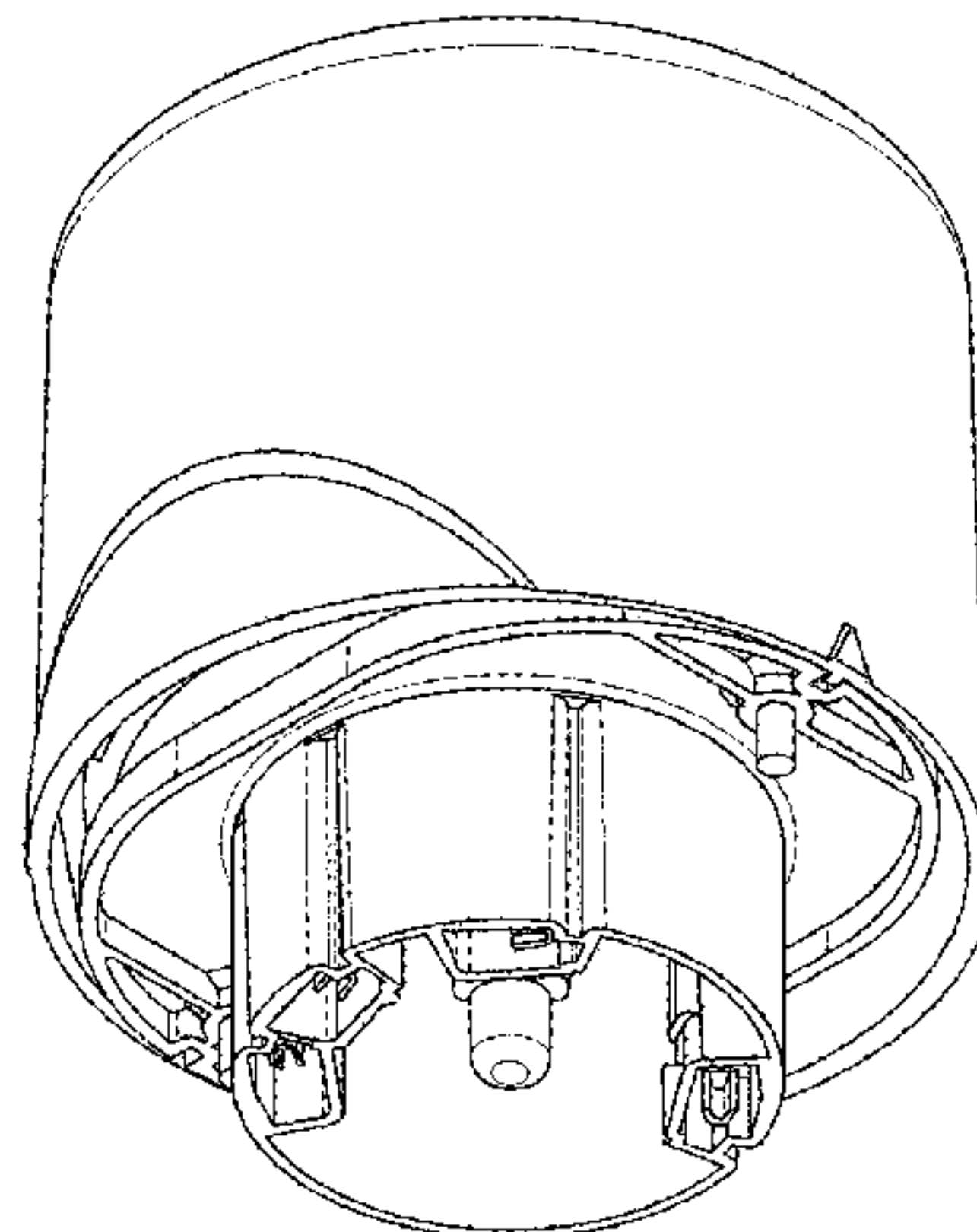
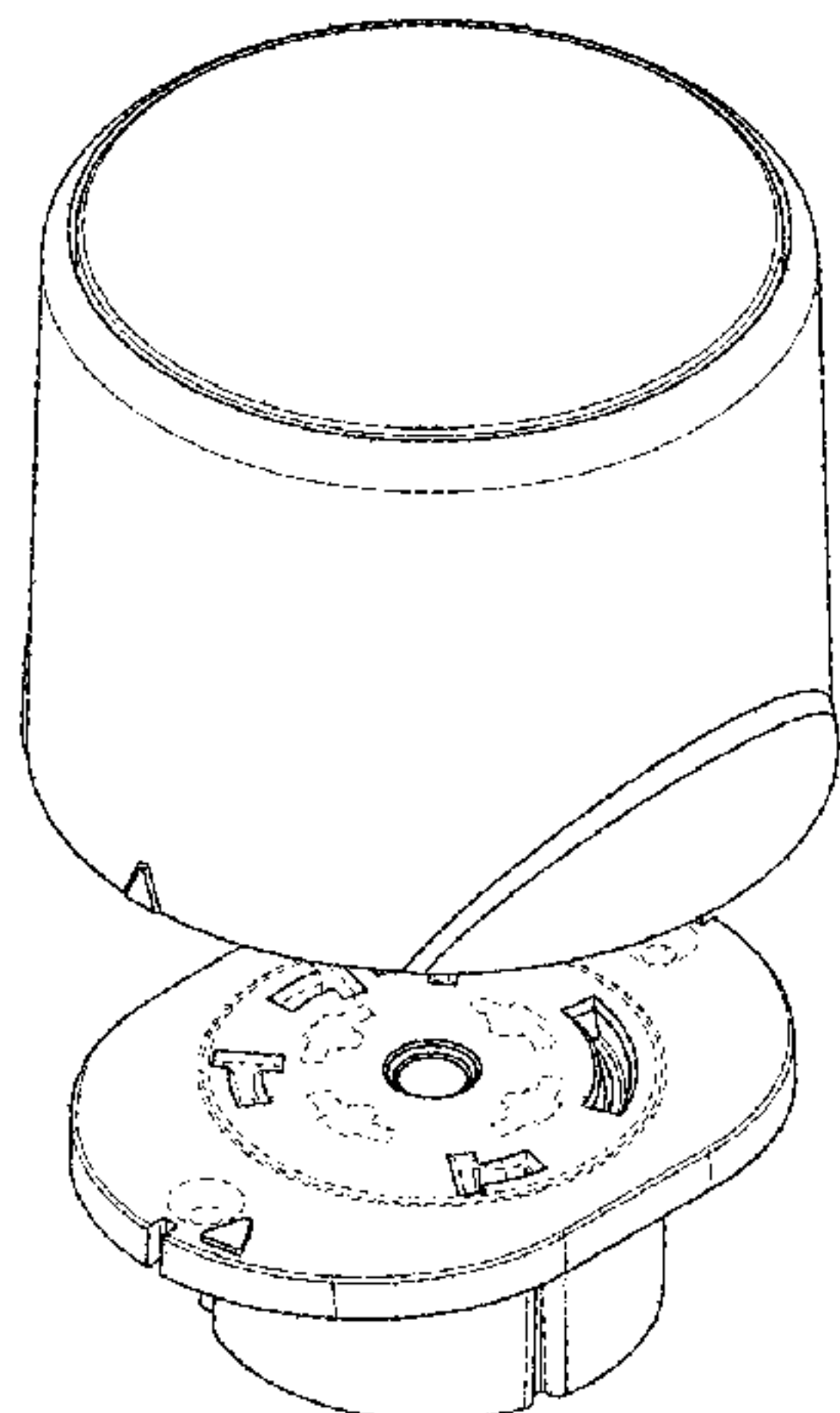
(57) **CLAIM**

The ornamental design for a combined control module and receptacle for a hot water heater, as shown and described.

DESCRIPTION

FIG. 1 is a bottom perspective view of the control module; FIG. 2 is a top perspective view of the control module; FIG. 3 is a top view of the control module; FIG. 4 is a bottom view of the control module; FIG. 5 is a front side view of the control module; FIG. 6 is a right side view of the control module; FIG. 7 is a back side view of the control module; FIG. 8 is a left side view of the control module; FIG. 9 is a top perspective view of the receptacle; FIG. 10 is a top view of the receptacle; FIG. 11 is a bottom view of the receptacle; FIG. 12 is a front side view of the receptacle; FIG. 13 is a right side view of the receptacle; FIG. 14 is a back side view of the receptacle; FIG. 15 is a left side view of the receptacle; FIG. 16 is a top perspective view of the control module and the receptacle; FIG. 17 is a top perspective view of the control module and the receptacle when engaged; FIG. 18 is a bottom perspective view of the control module and the receptacle when engaged; FIG. 19 is a front side view of the control module and the receptacle when engaged; FIG. 20 is a right view of the control module and the receptacle when engaged; FIG. 21 is a back side view of the control module and the receptacle when engaged; and, FIG. 22 is a left view of the control module and the receptacle when engaged. The broken lines in the drawings illustrate portions of the article that form no part of the claimed design.

1 Claim, 12 Drawing Sheets



(58) **Field of Classification Search**

CPC .. H01H 9/00; H01H 47/00; H02J 7/00; H05B
37/00; H05B 37/02; H05B 33/08; H05K
1/00; H05K 1/02; H05K 1/11; H05K
1/14; H05K 3/32; H05K 5/00; H05K
7/00; H05K 7/02; H05K 7/14; H05K
7/20; F24H 9/20; G01R 21/133; G01R
22/065; H01R 24/62

See application file for complete search history.

(56) **References Cited**

U.S. PATENT DOCUMENTS

D730,217	S *	5/2015	Yokino	D10/81
D788,710	S *	6/2017	Suica	D13/146
D806,644	S *	1/2018	Mittleman	D13/101
10,098,200	B2 *	10/2018	Xu	H05B 33/0884
2002/0084778	A1 *	7/2002	Ballard	G01R 22/065 324/142
2004/0061490	A1 *	4/2004	Huber	G01R 22/065 324/156
2014/0085072	A1 *	3/2014	Clifford	B60Q 1/2611 340/472
2016/0093993	A1 *	3/2016	Lewin	H01R 24/62 439/676
2018/0372376	A1 *	12/2018	Cartmill	F24H 1/202
2019/0014650	A1 *	1/2019	Schroeder	H05B 37/0272

* cited by examiner

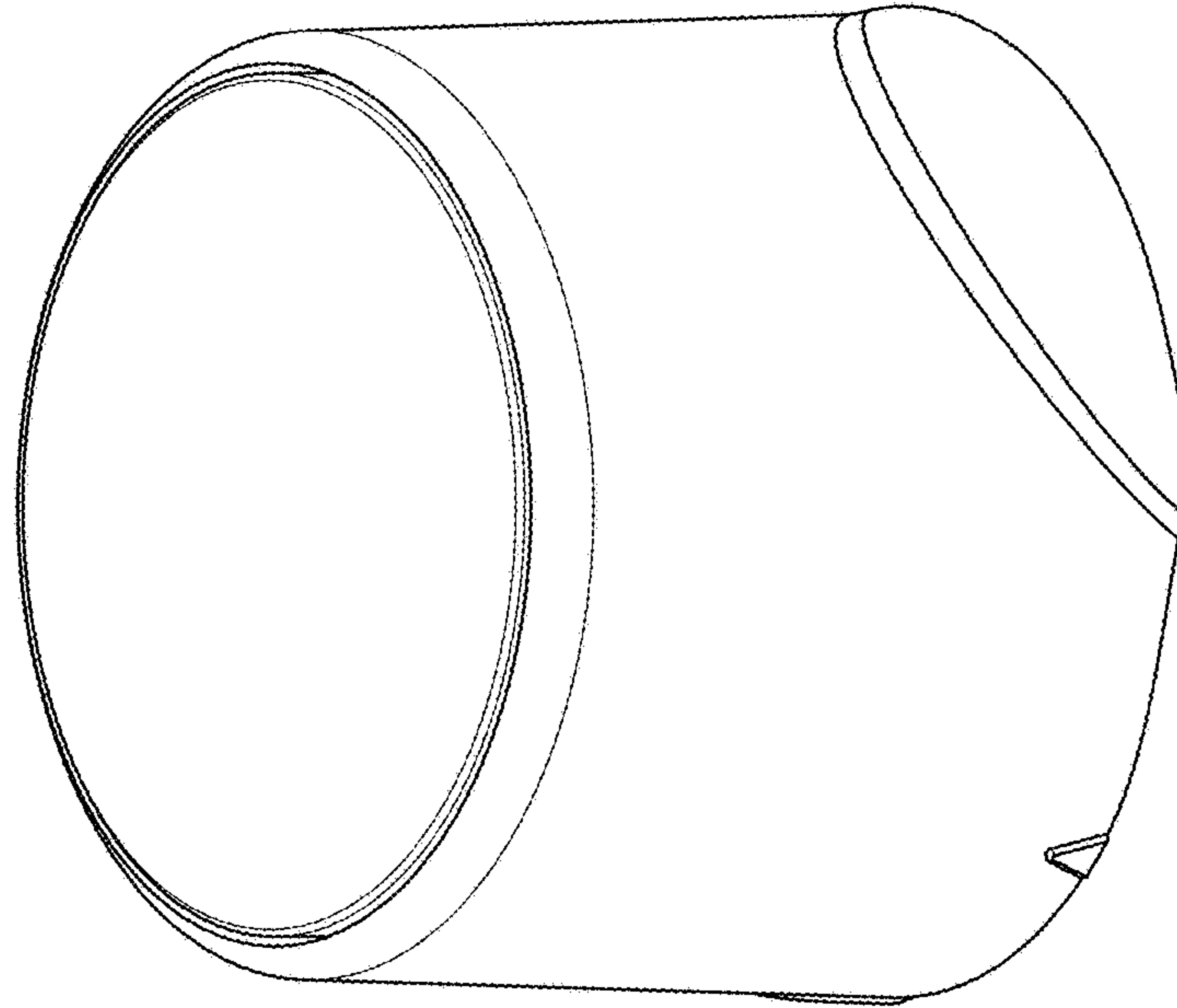


FIG. 2

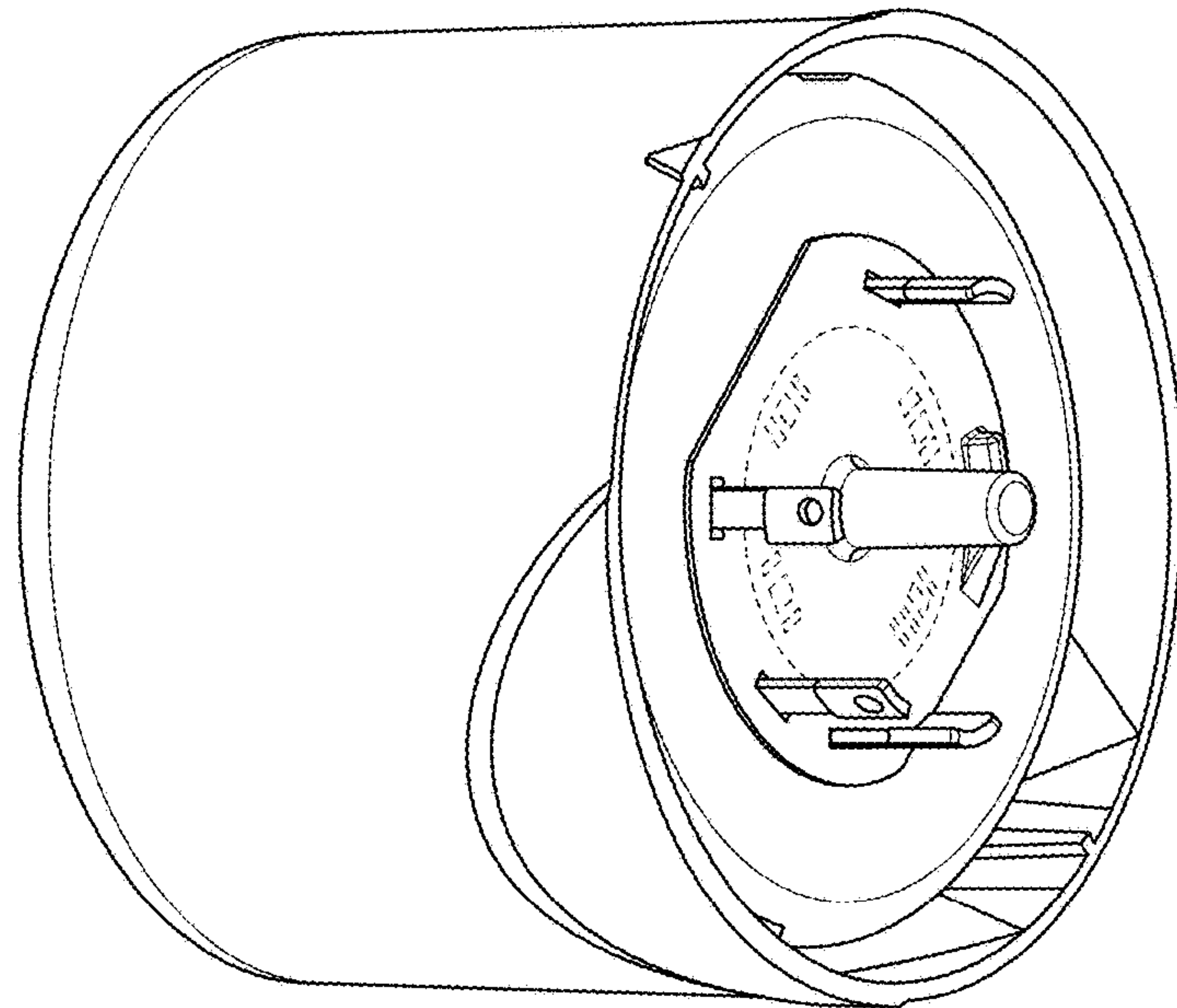


FIG. 1

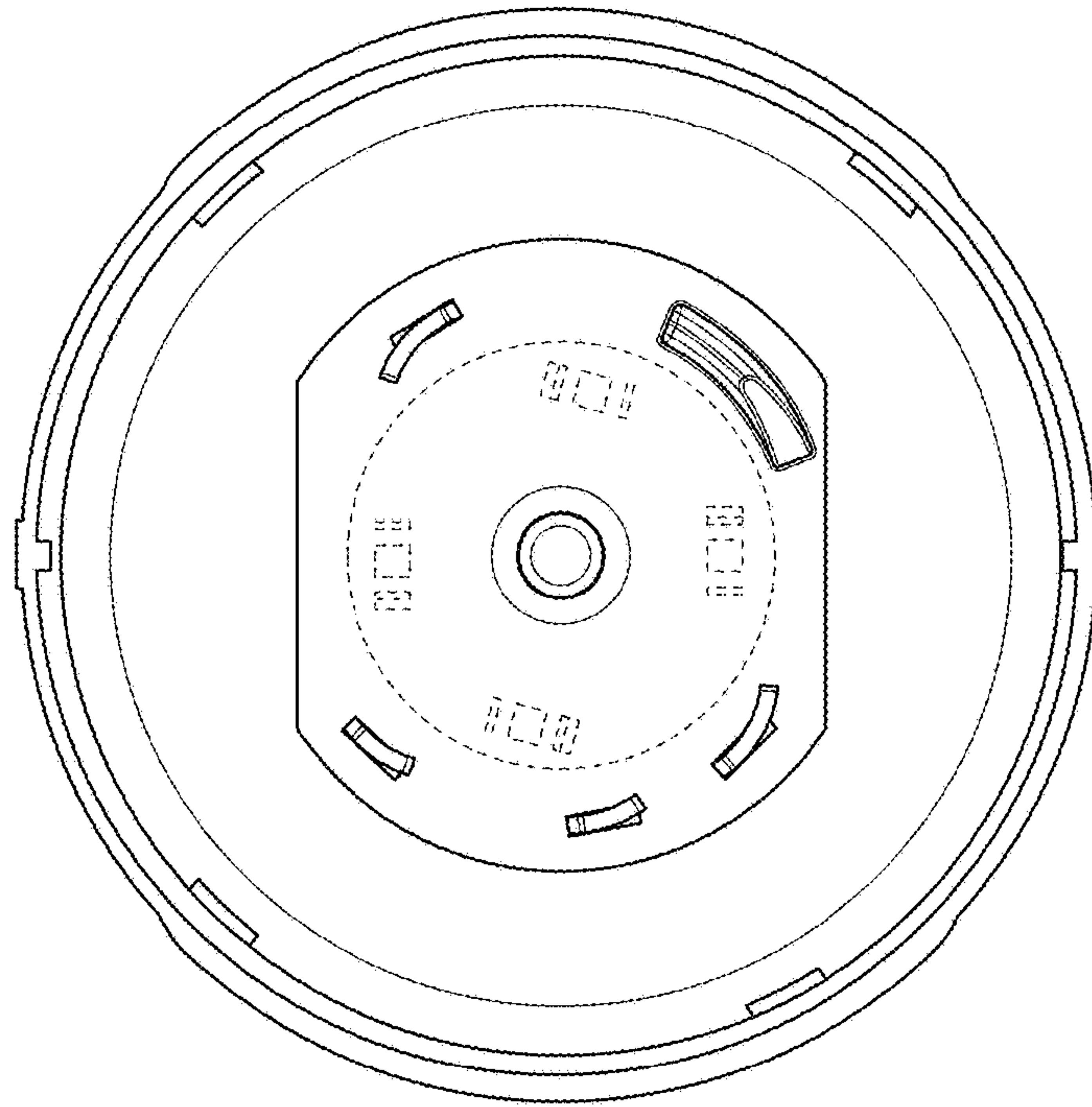


FIG. 4

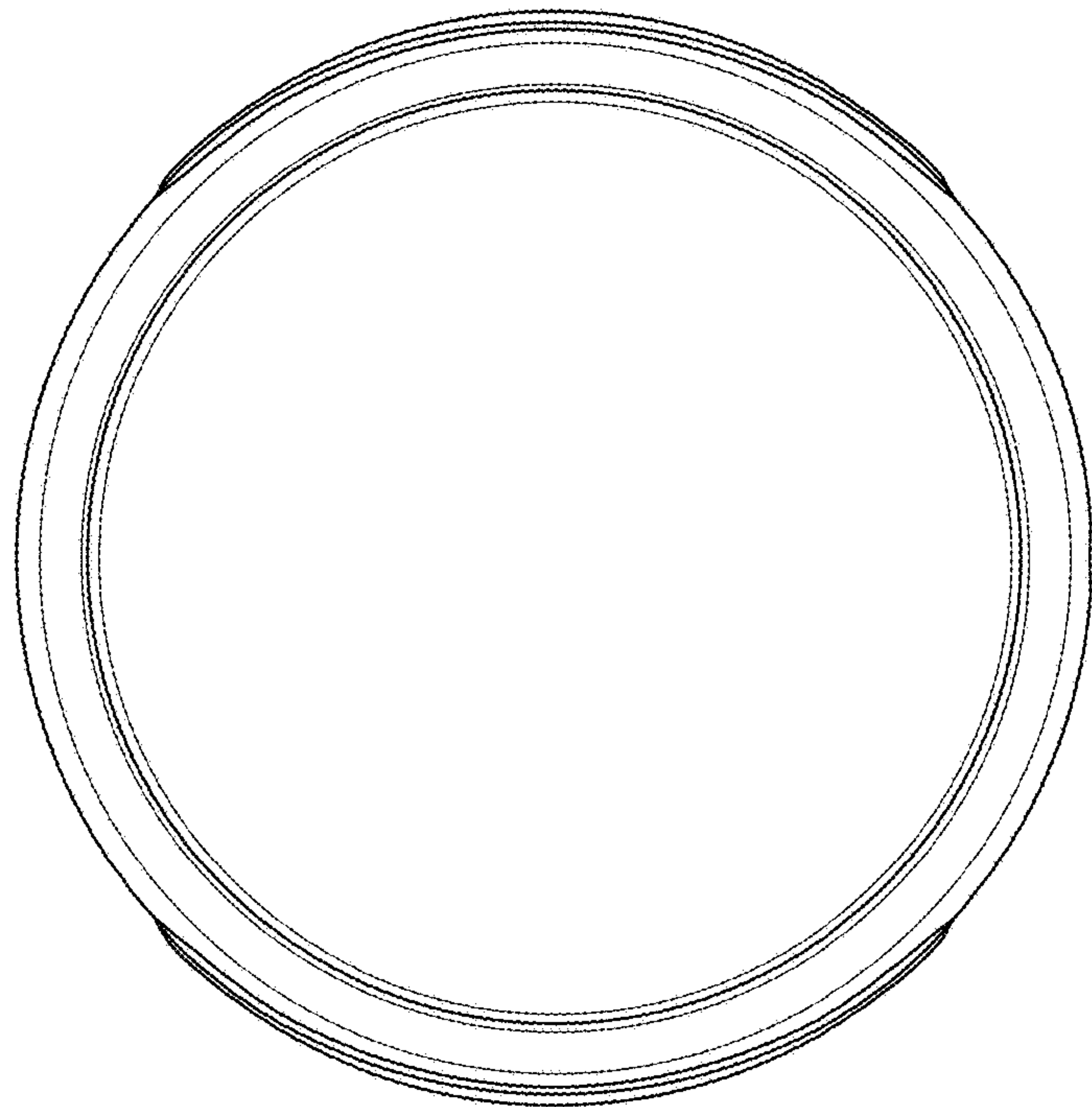


FIG. 3

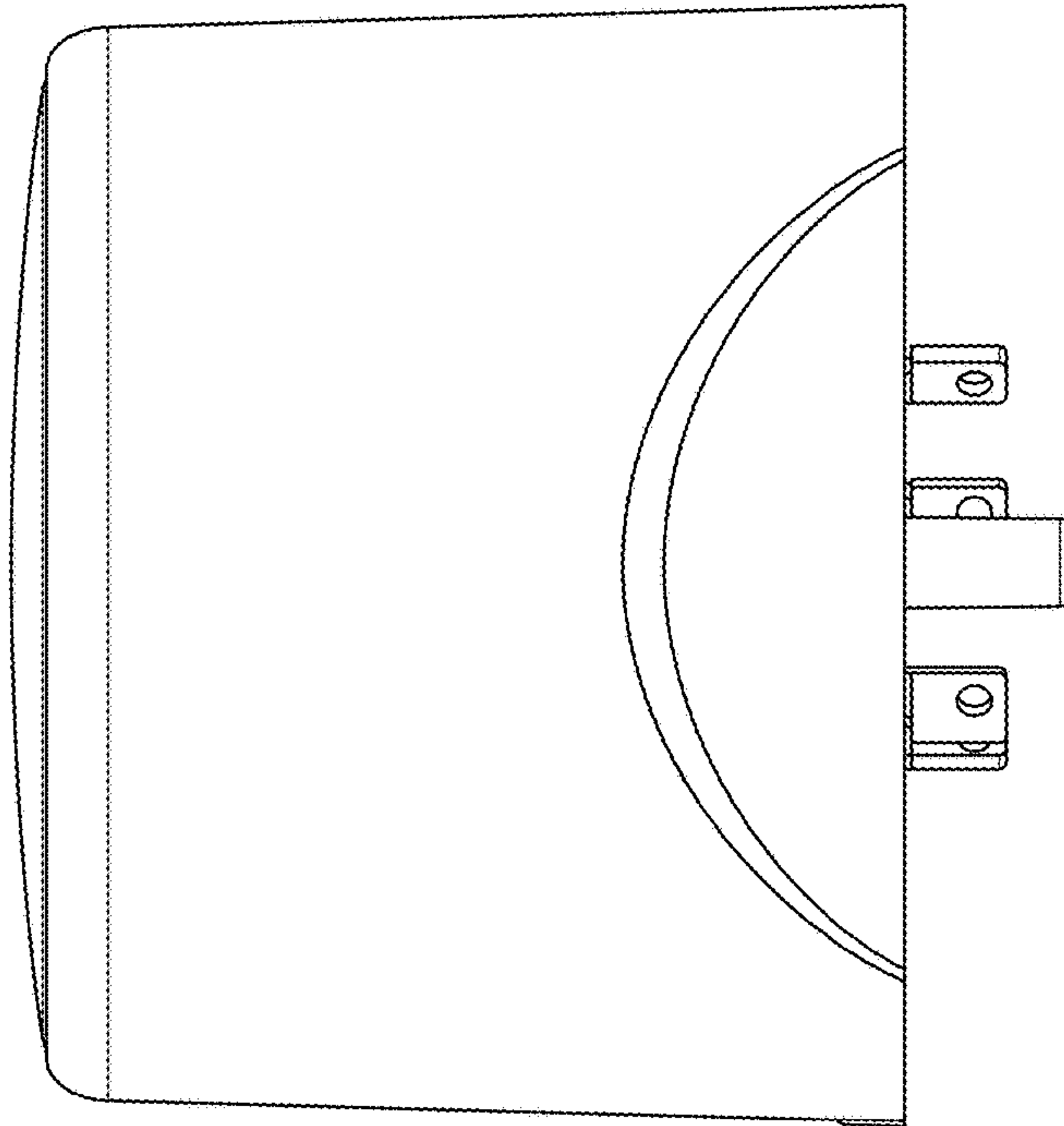


FIG. 6

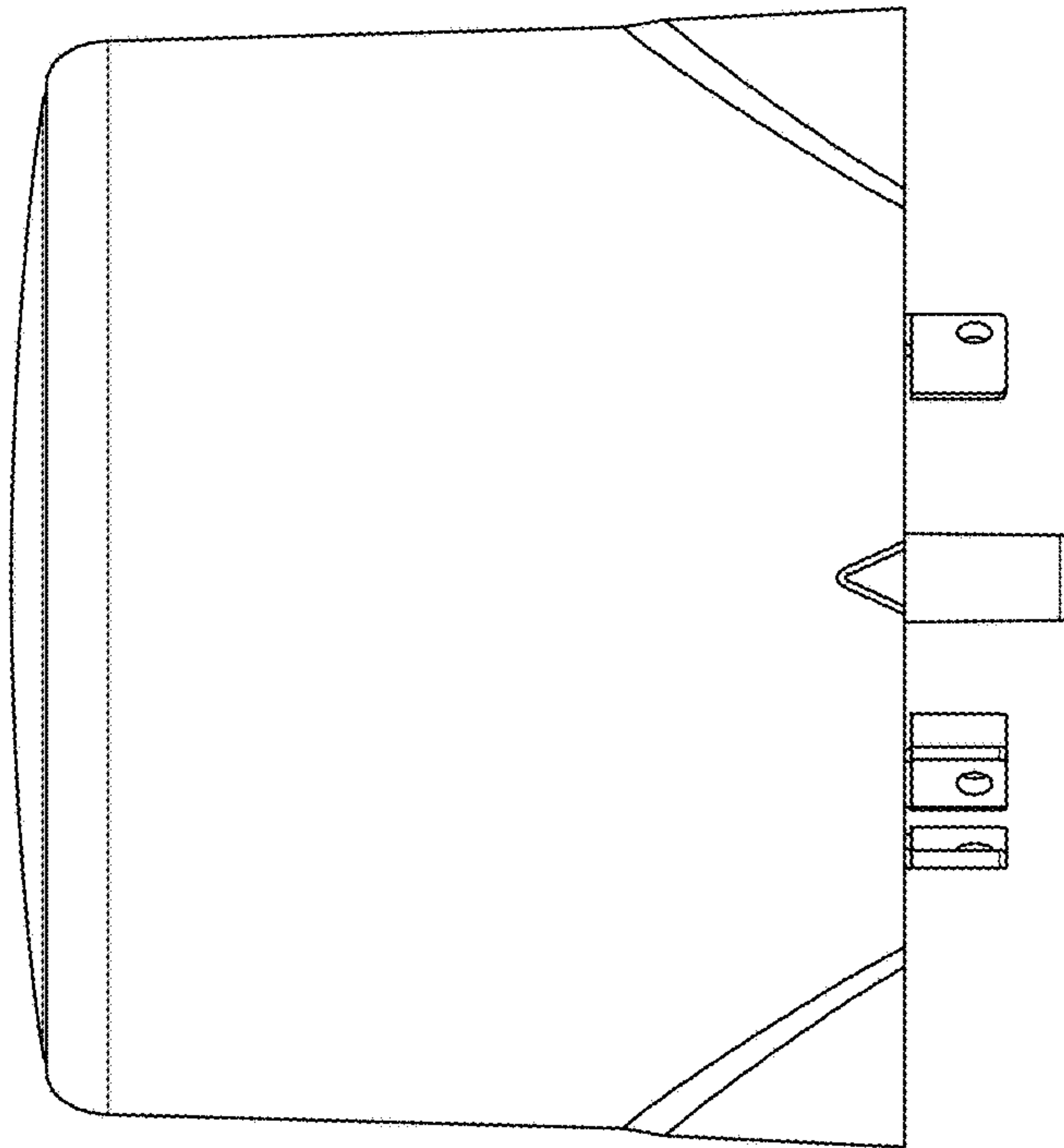


FIG. 5

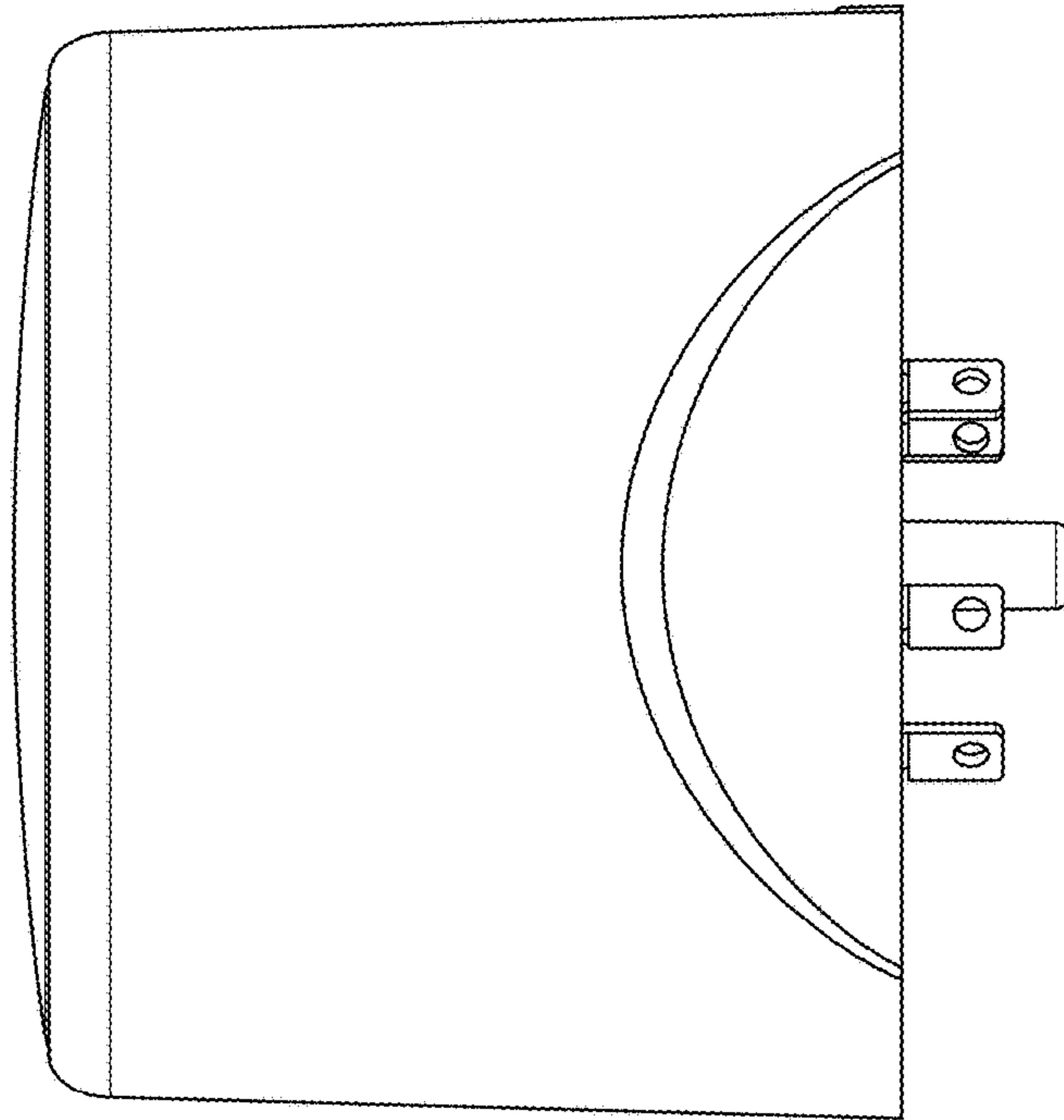


FIG. 8

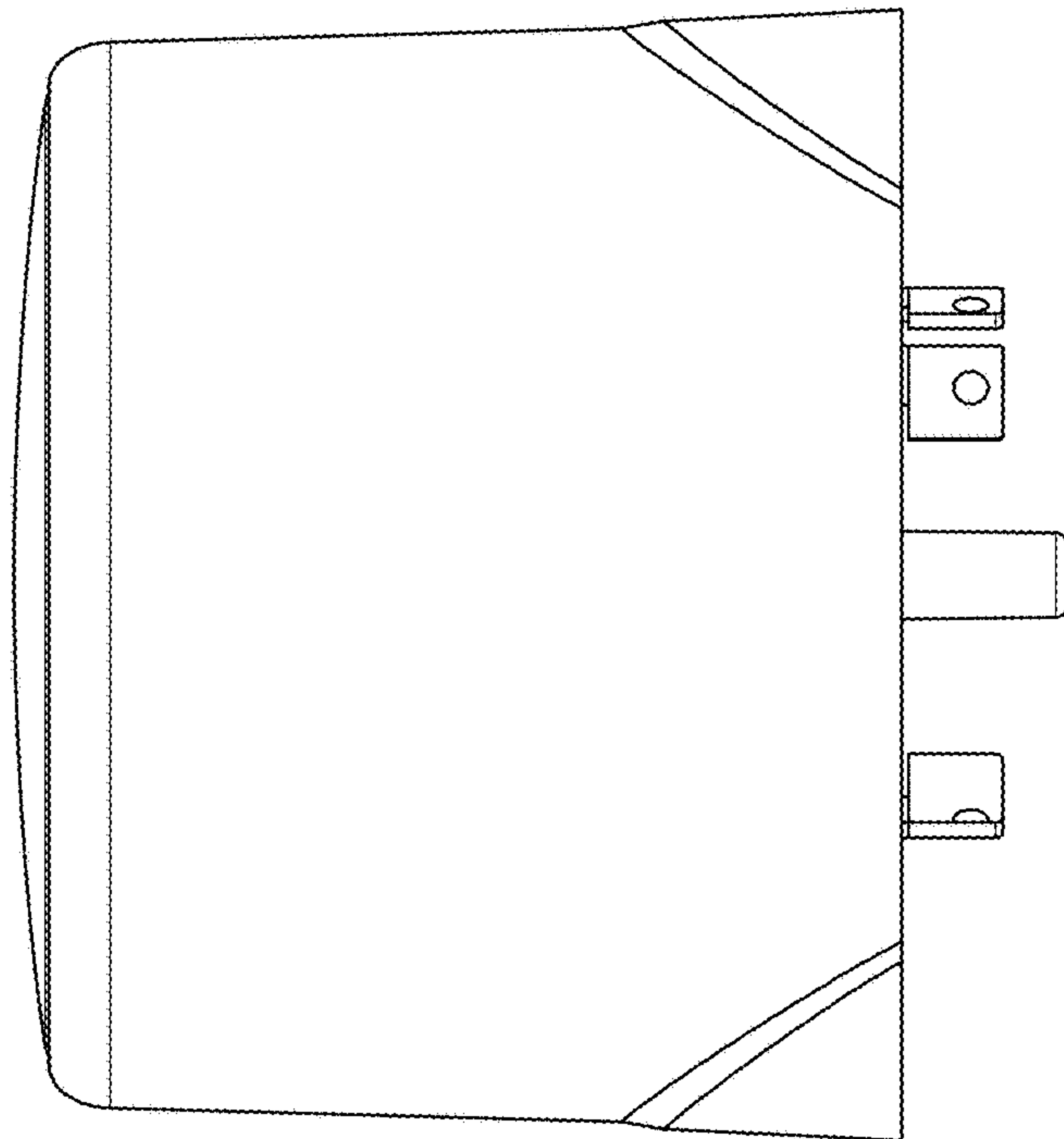


FIG. 7

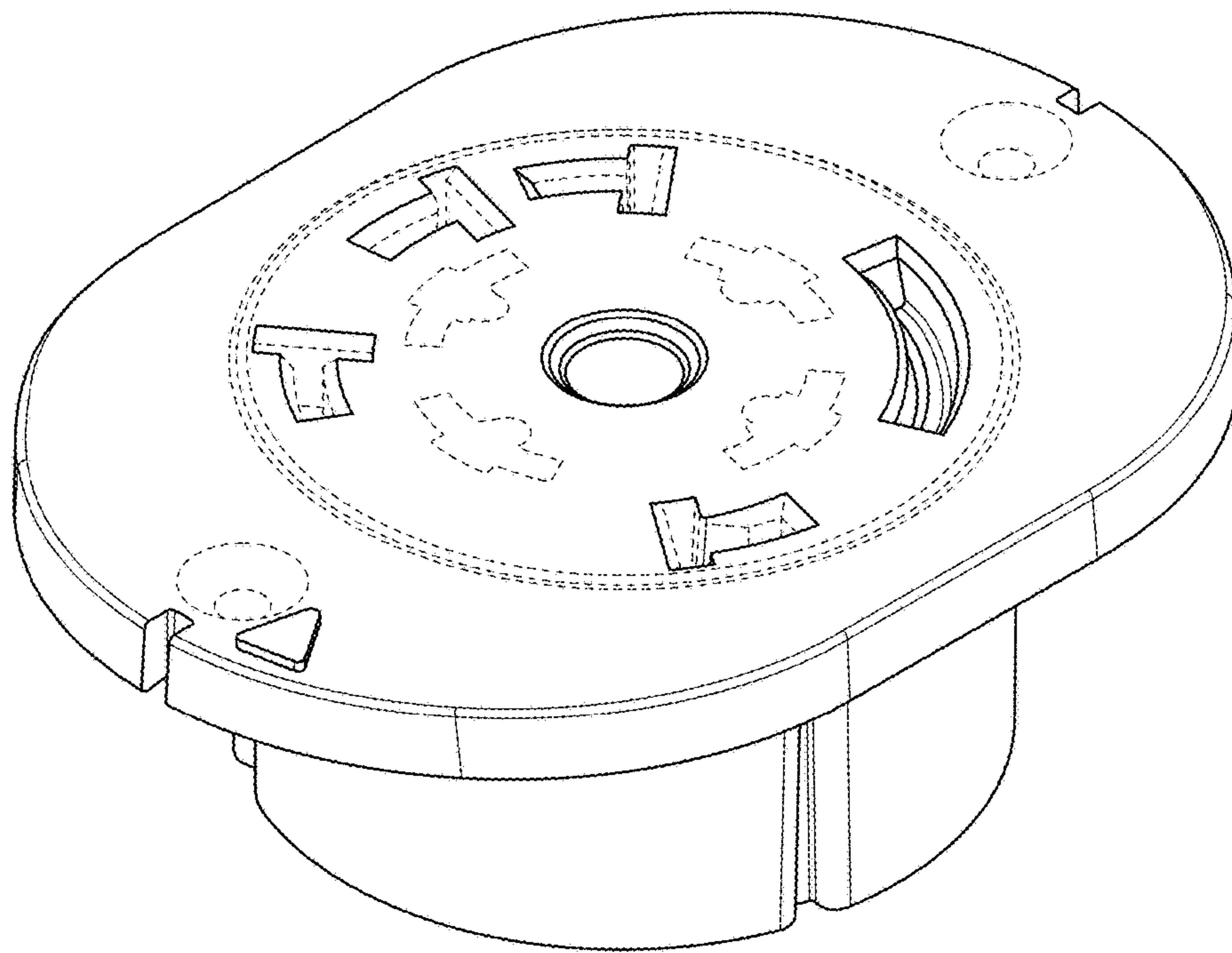


FIG. 9

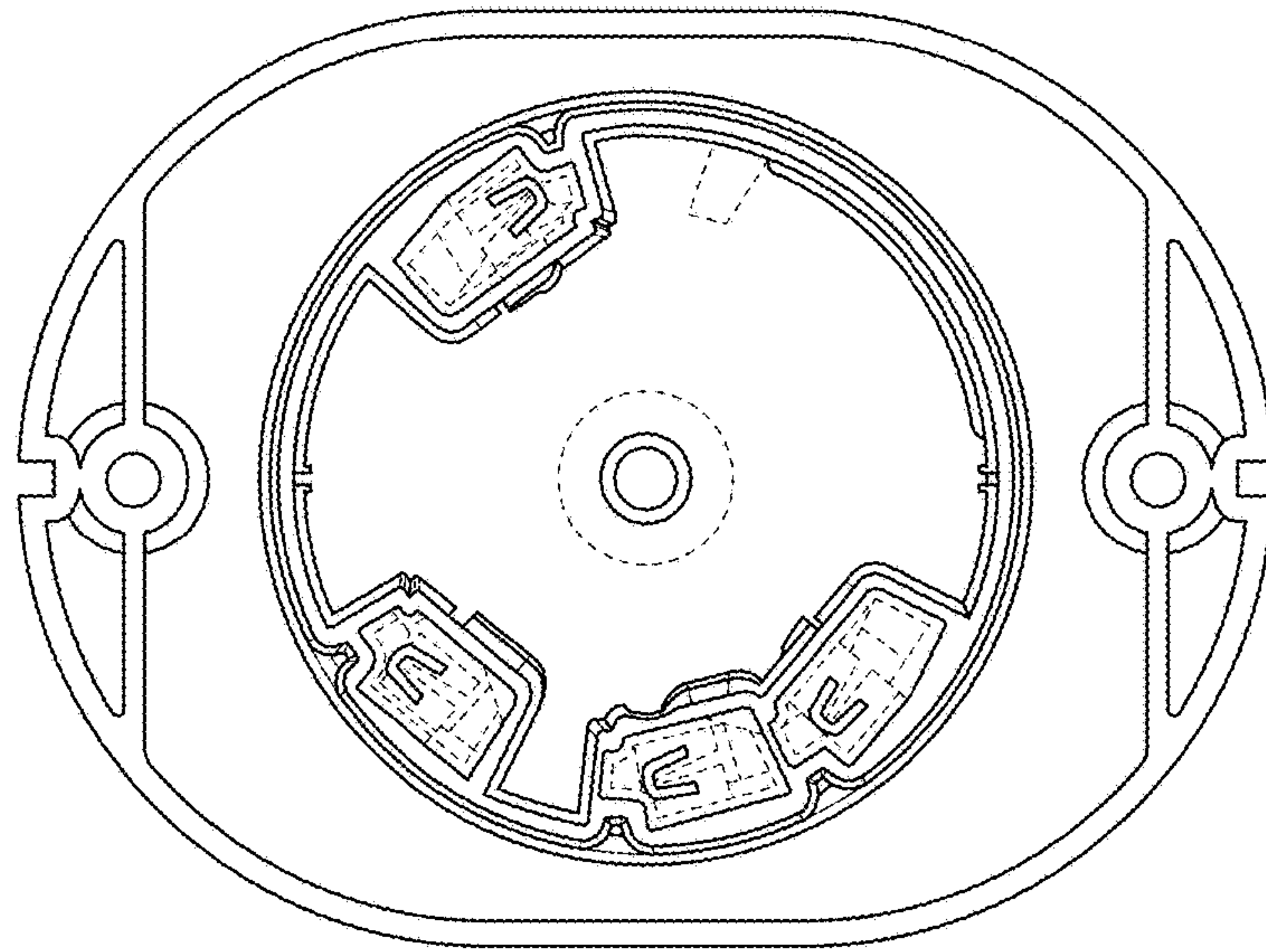


FIG. 11

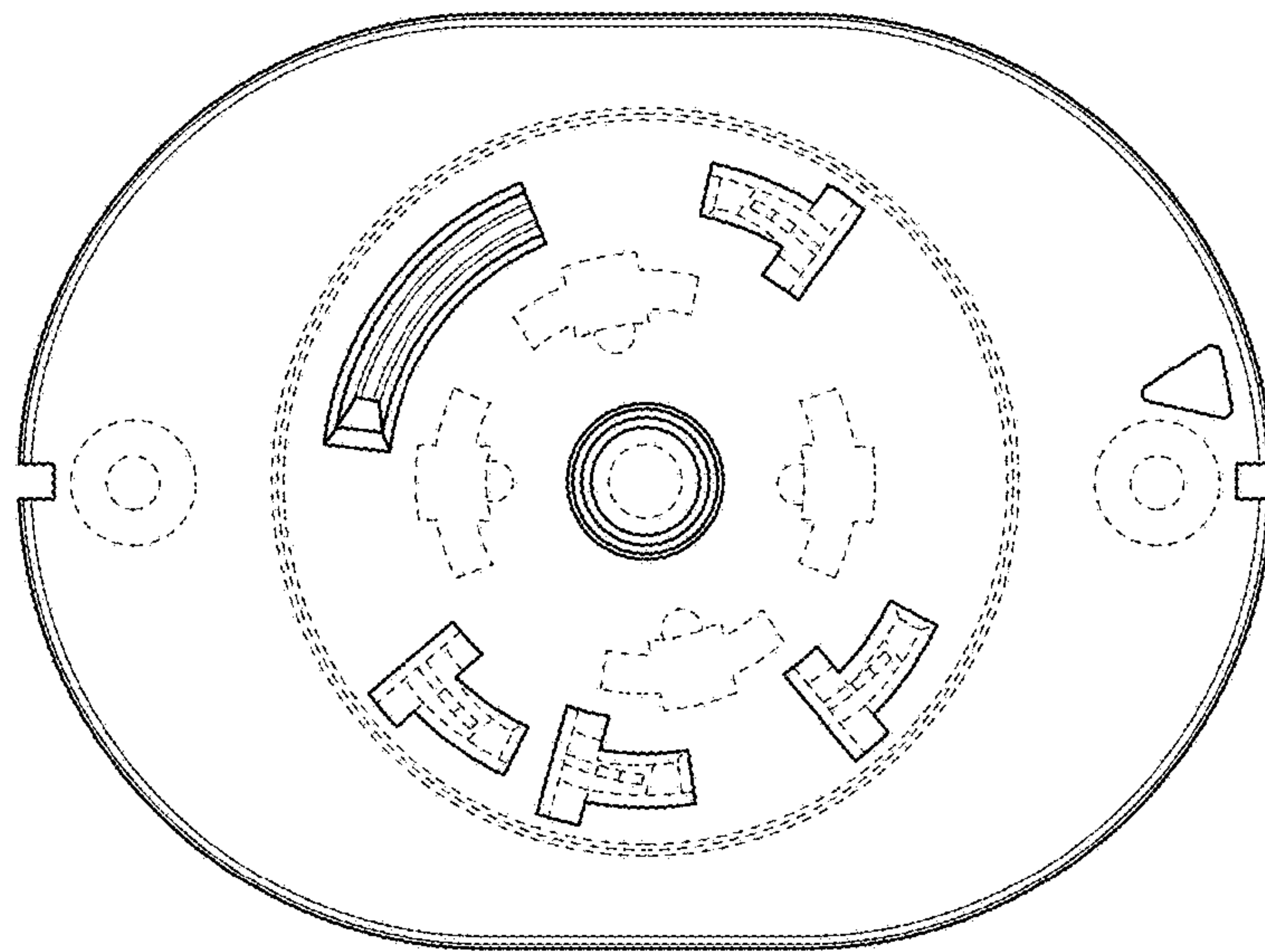


FIG. 10

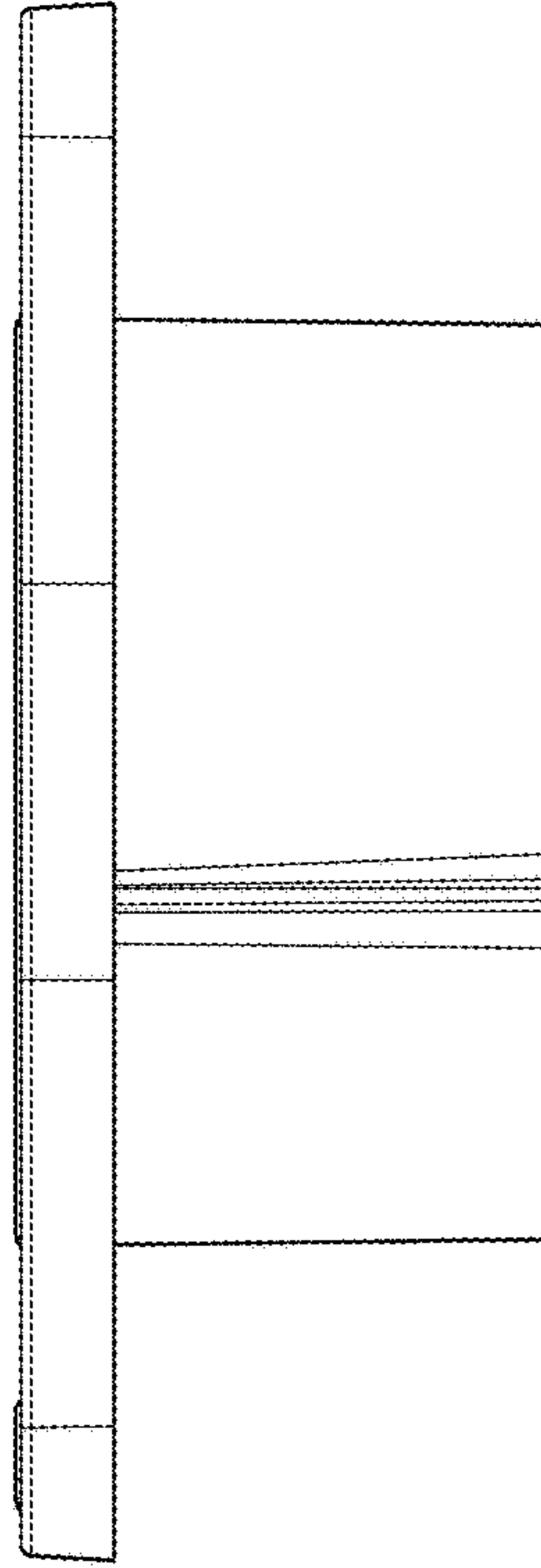


FIG. 12

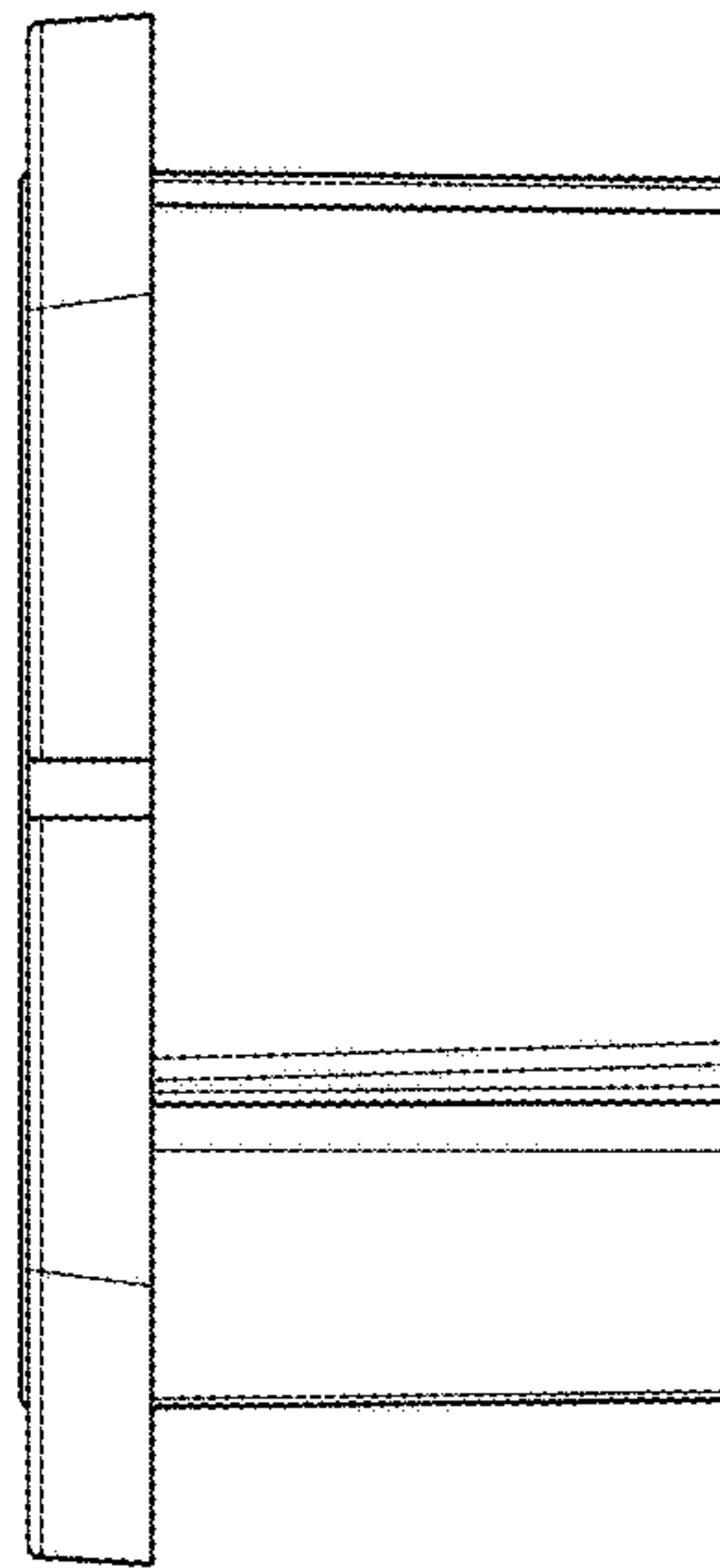


FIG. 13

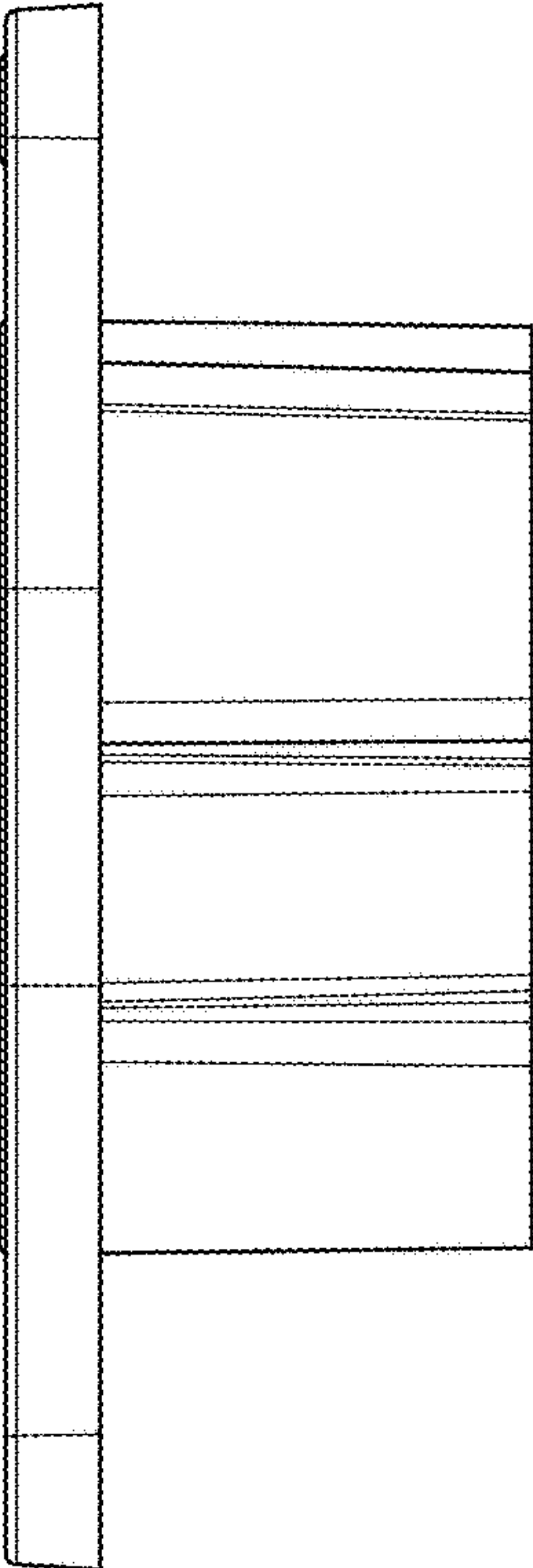


FIG. 15

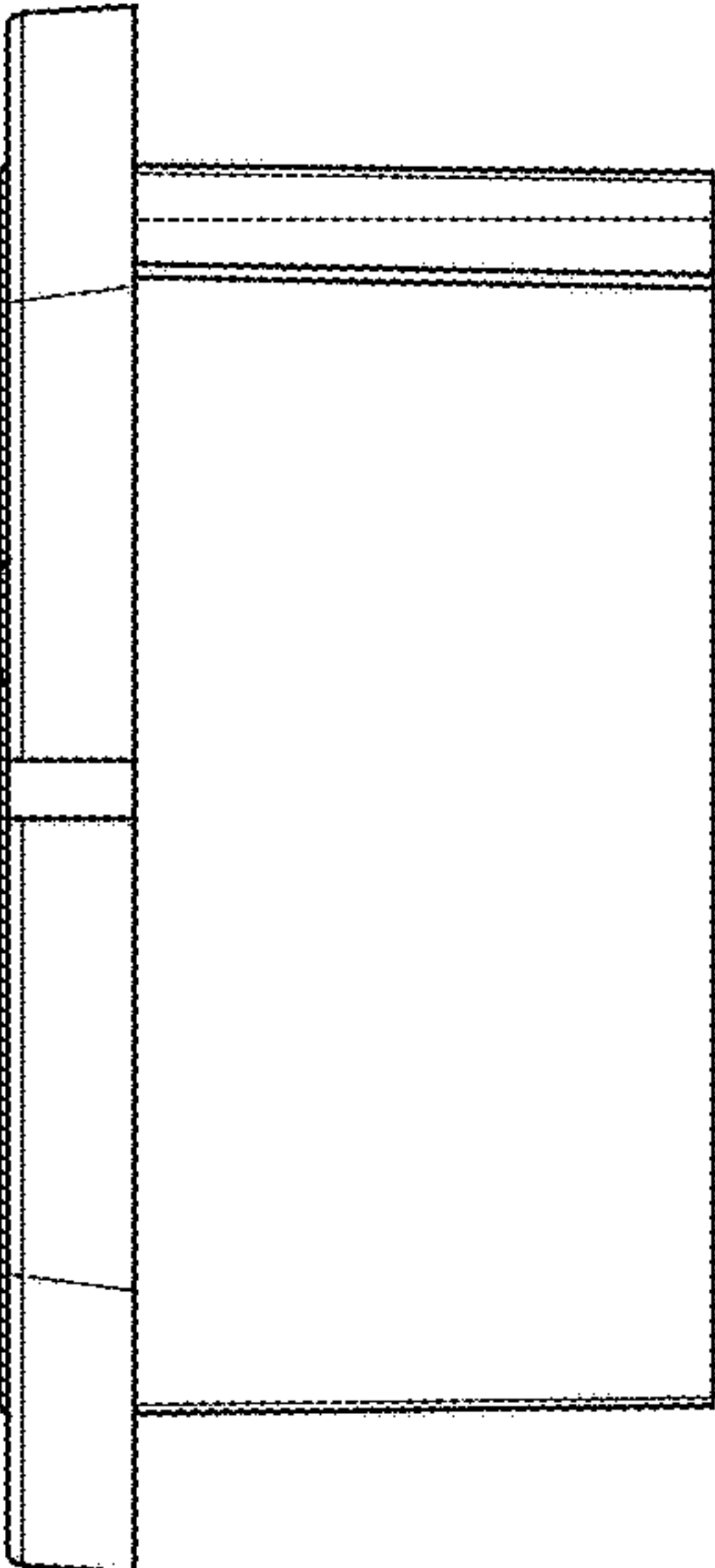


FIG. 14

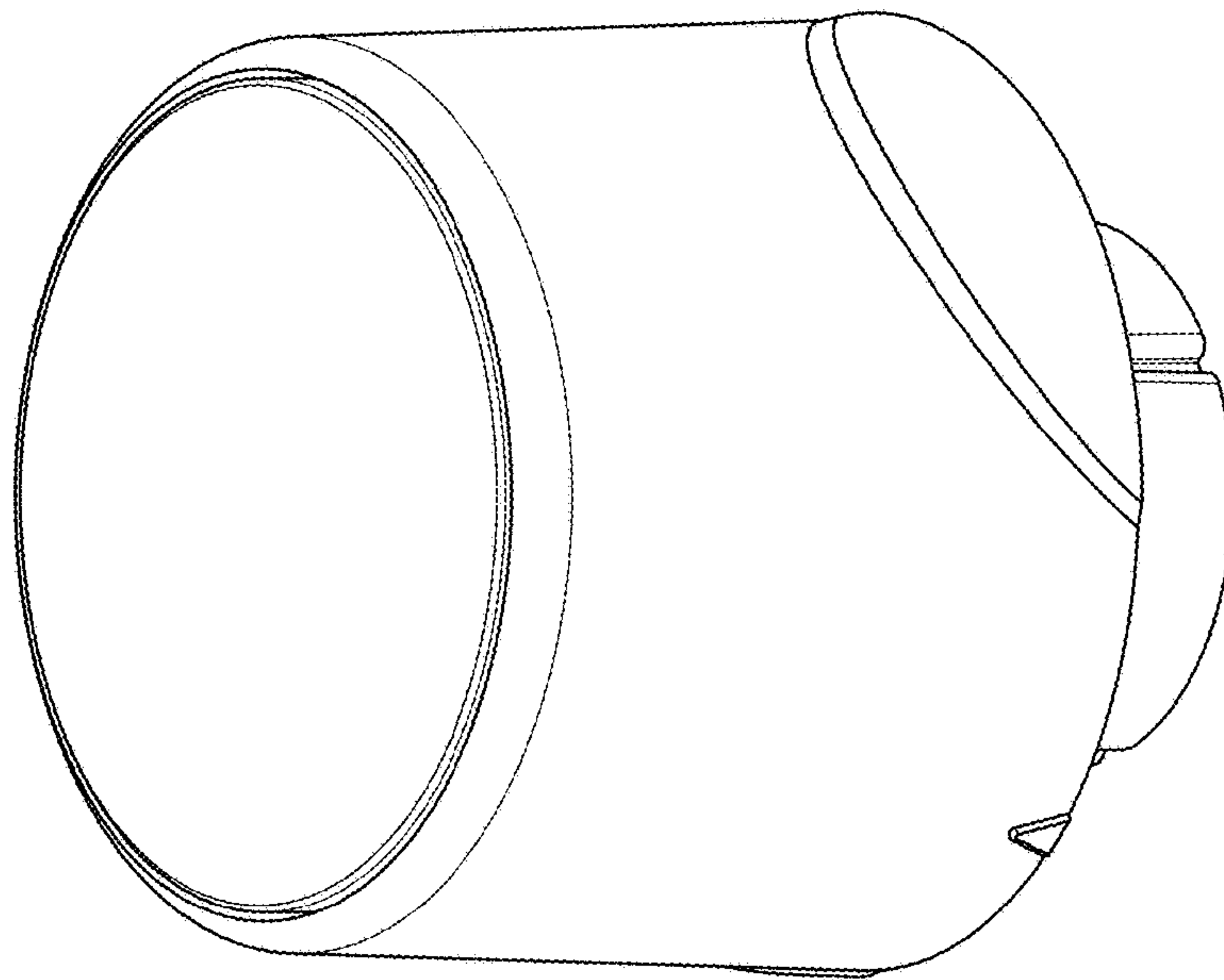


FIG. 17

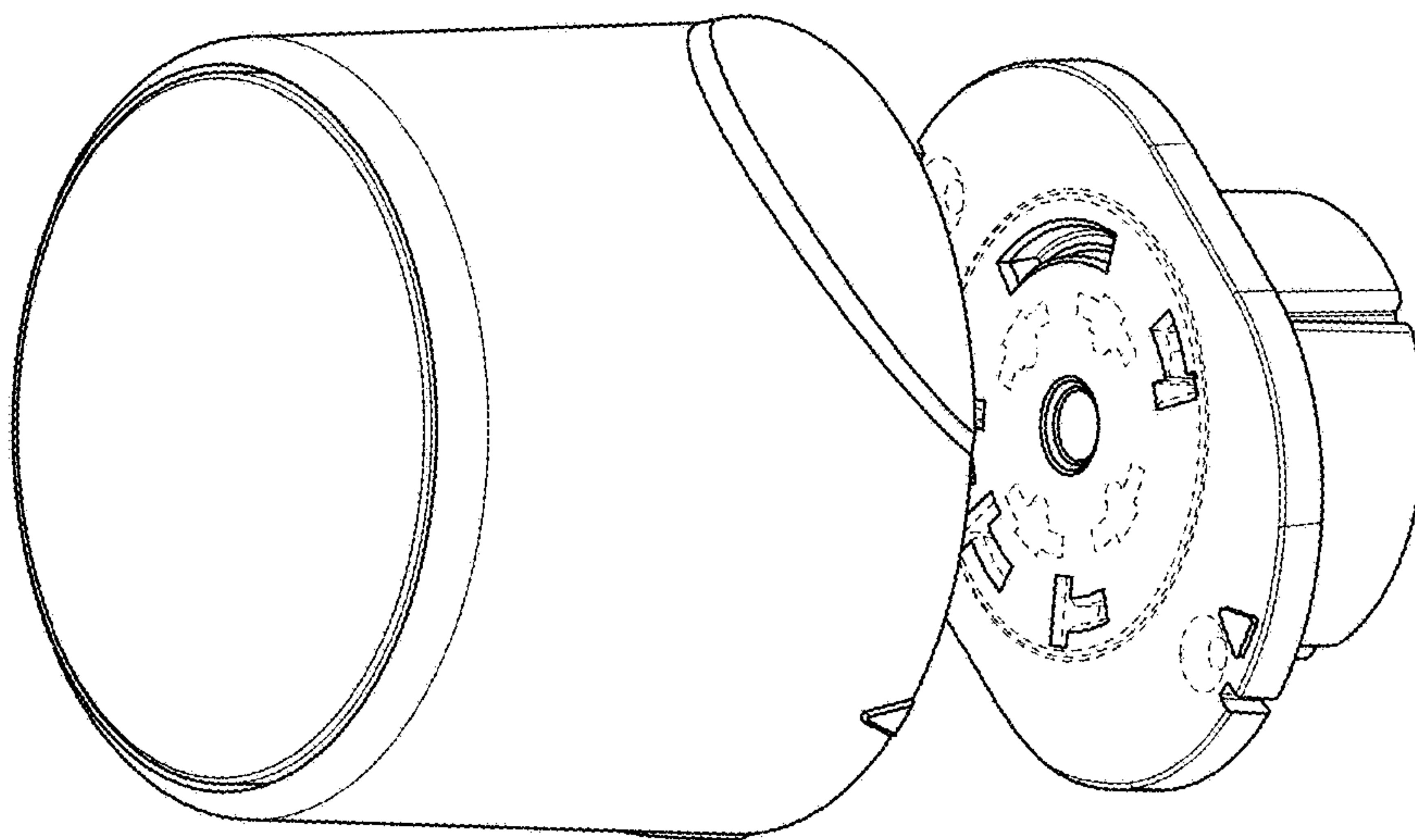


FIG. 16

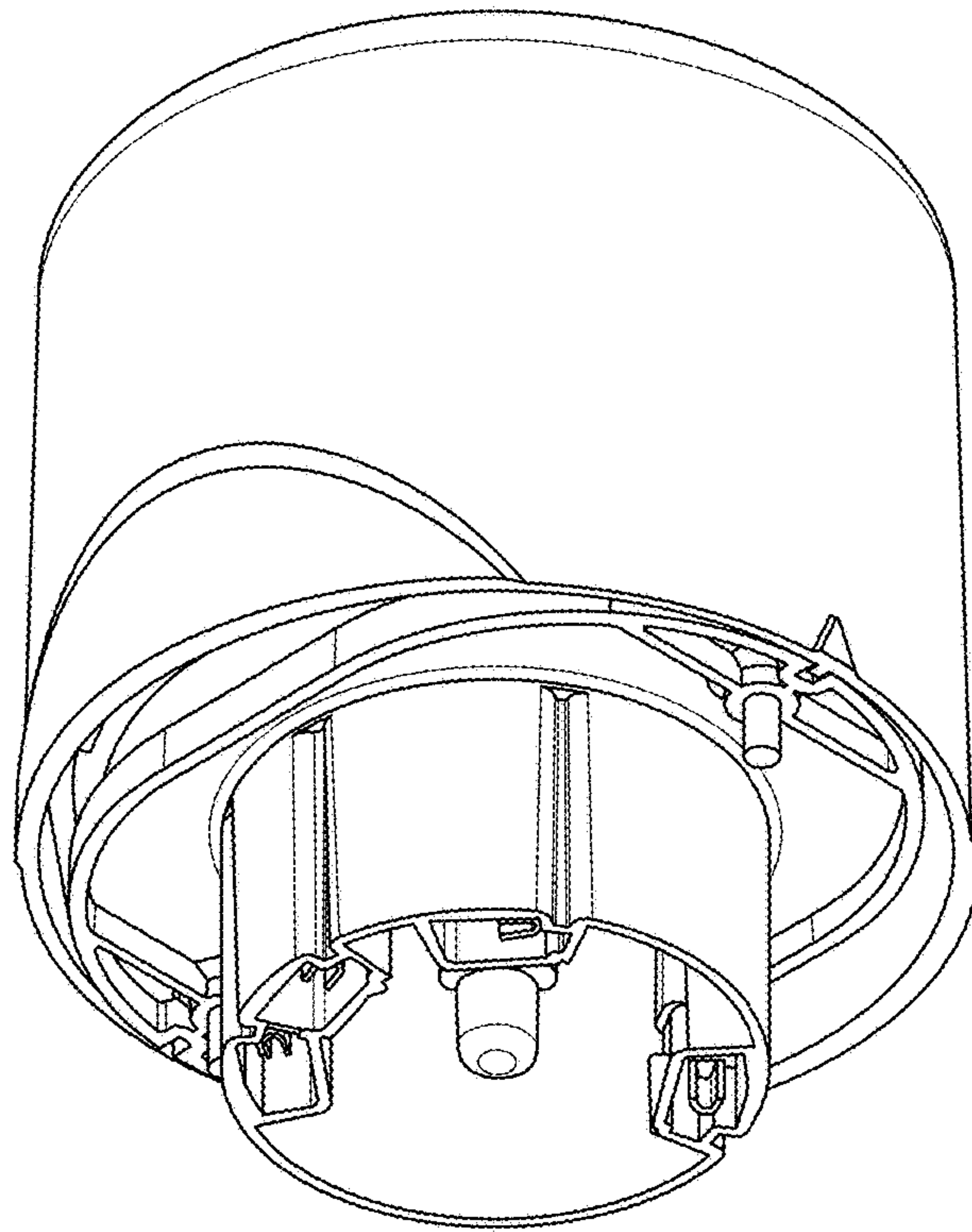


FIG. 18

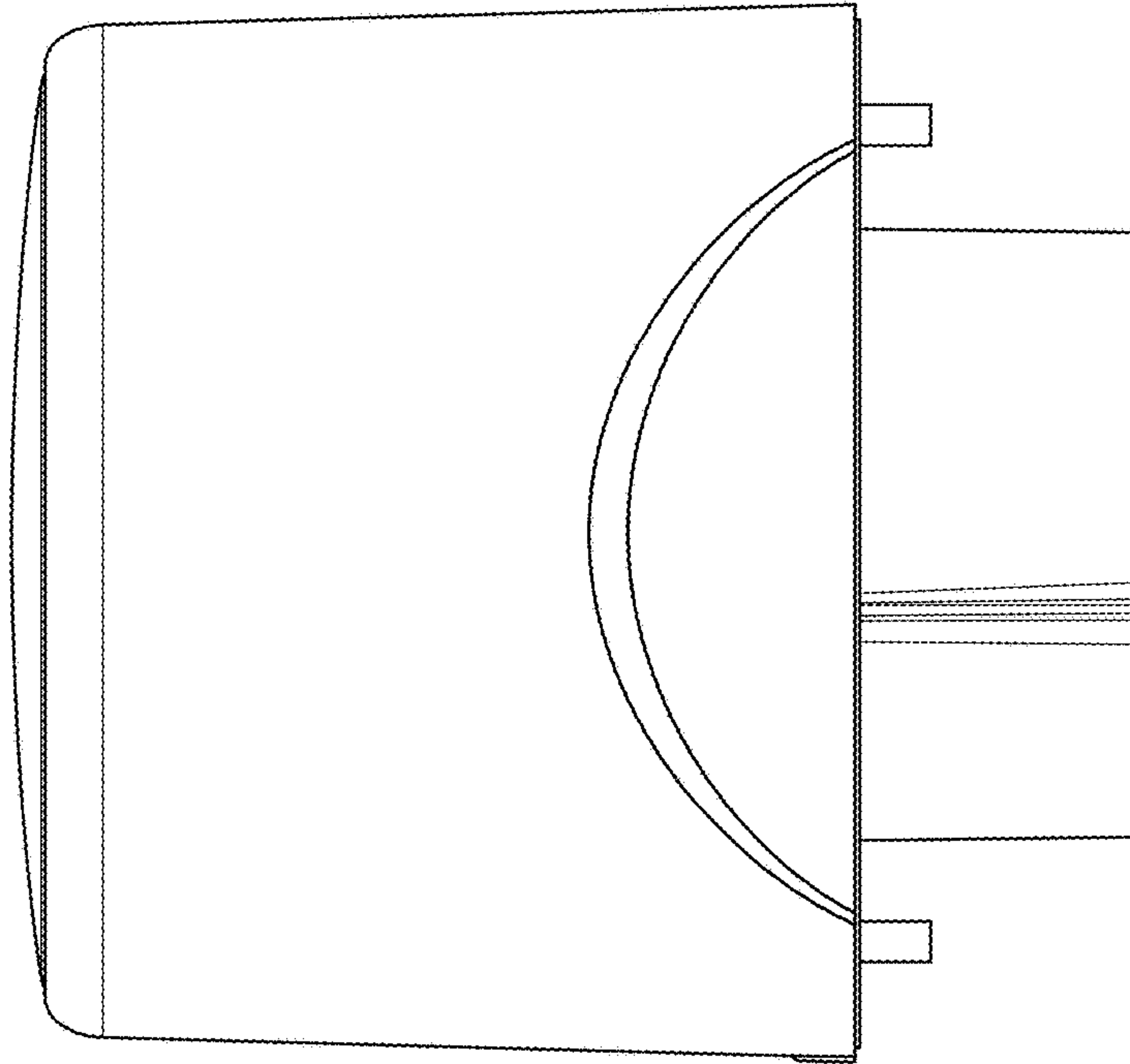


FIG. 20

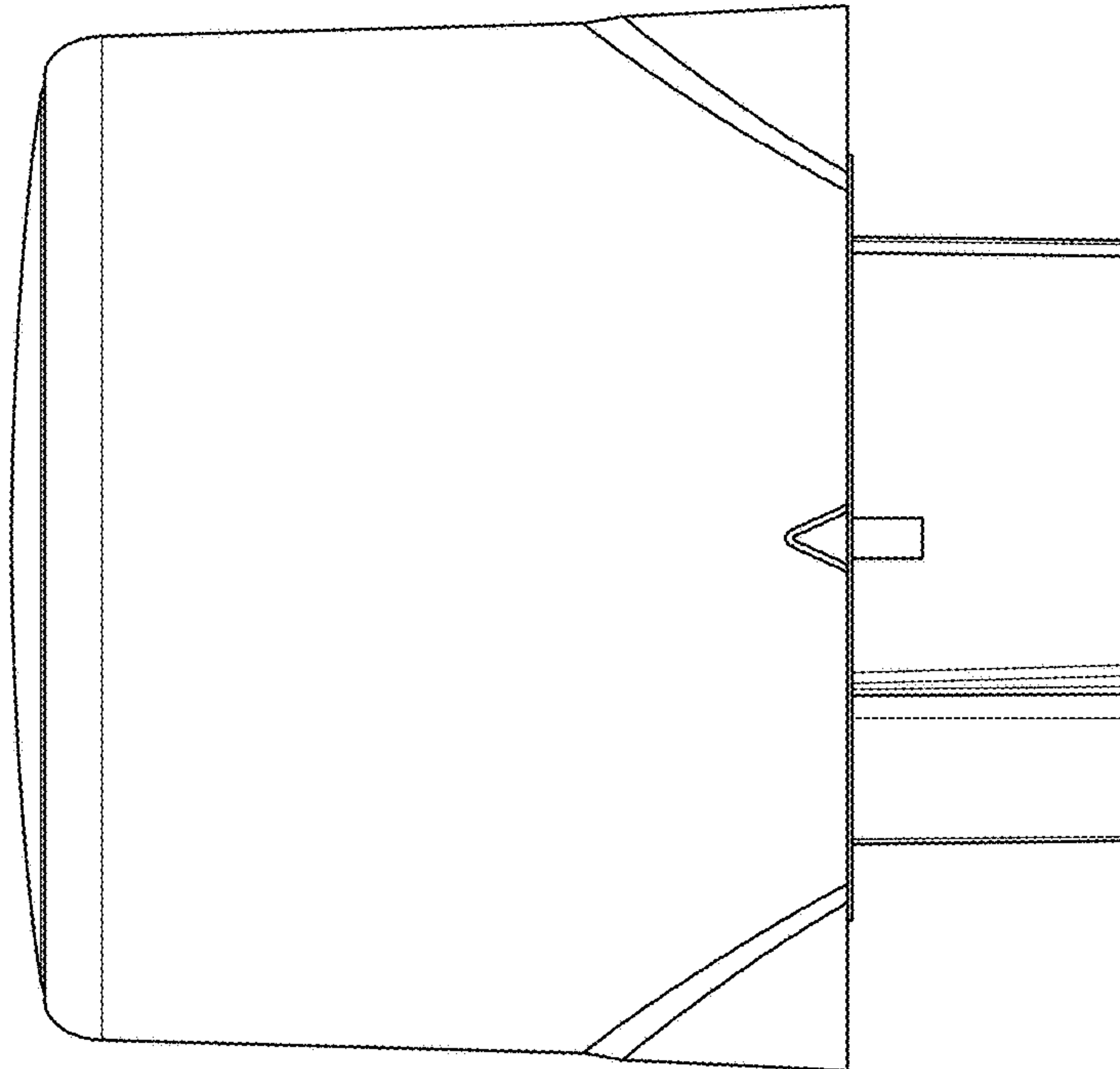


FIG. 19

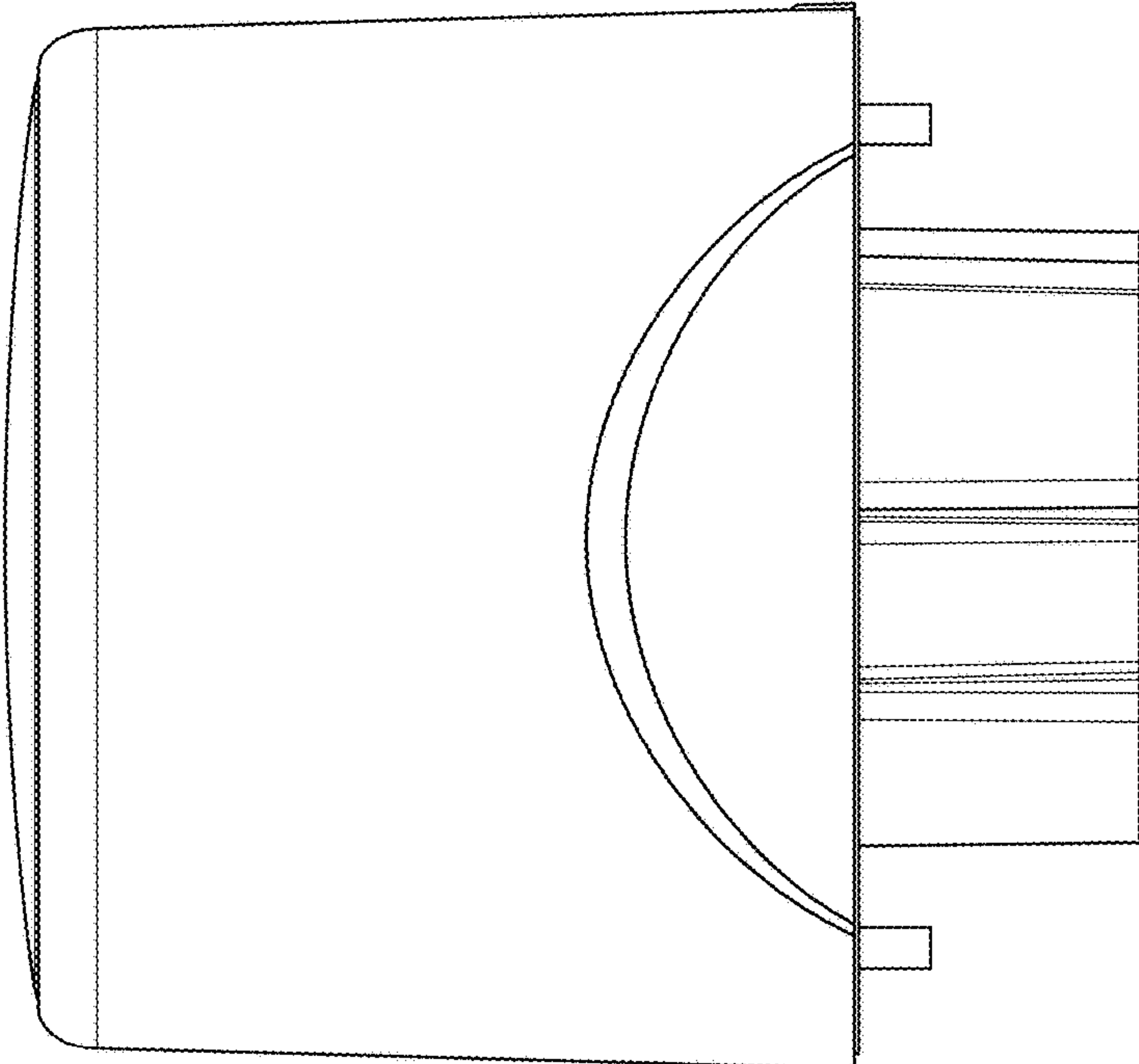


FIG. 21

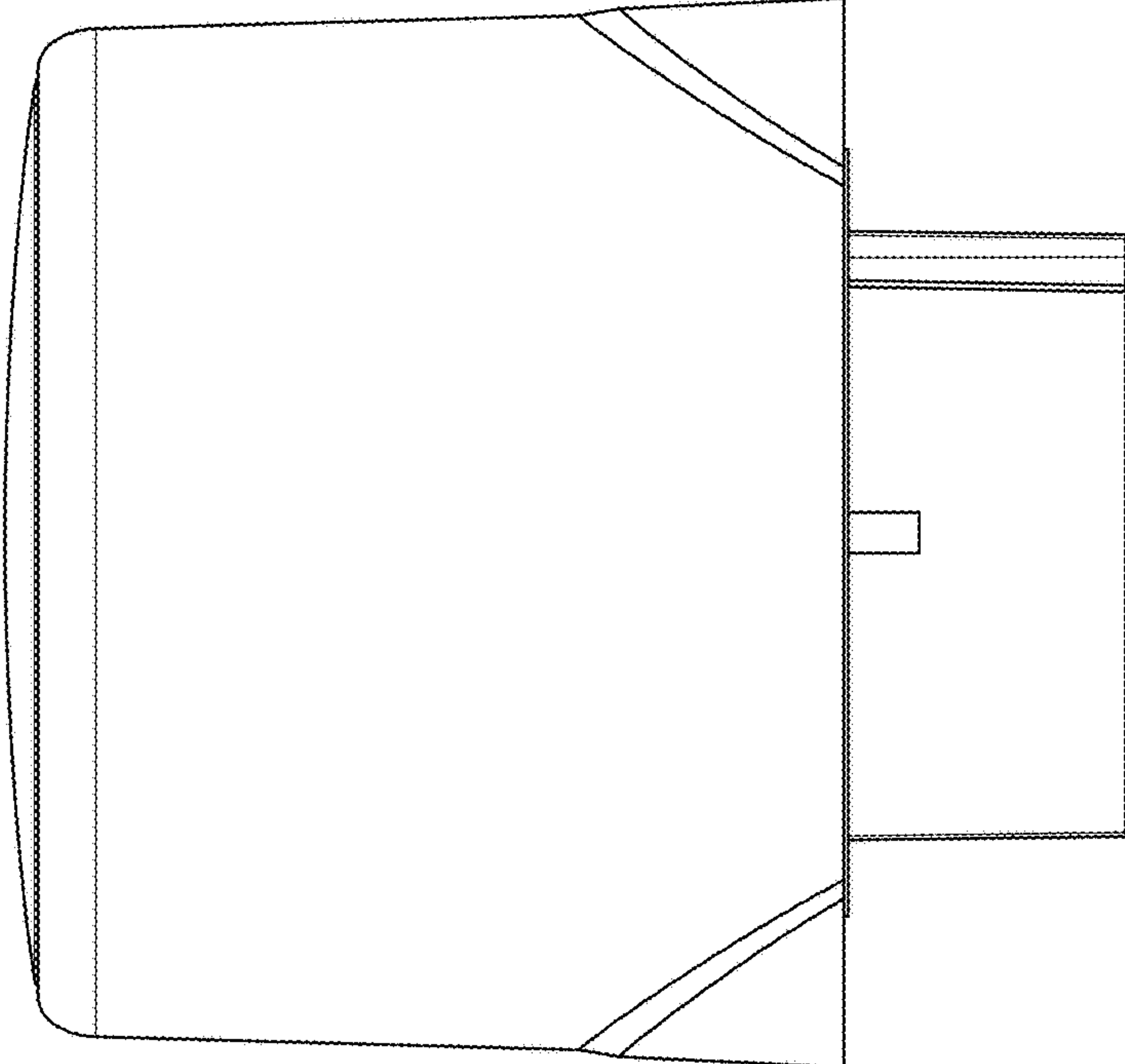


FIG. 22