



US00D904314S

(12) **United States Design Patent** (10) **Patent No.:** **US D904,314 S**
Duggan (45) **Date of Patent:** **** Dec. 8, 2020**

(54) **ELECTRICAL AND CABLING HOUSING** 6,376,774 B1 * 4/2002 Oh H01H 85/10
174/92
(71) Applicant: **Shawn Duggan**, Holly, MI (US) 7,357,579 B2 * 4/2008 Feldner G02B 6/3887
385/56
(72) Inventor: **Shawn Duggan**, Holly, MI (US) D580,870 S * 11/2008 Guercio D13/152
D786,031 S * 5/2017 Whitten D8/14
D851,048 S * 6/2019 Duggan D13/155
(**) Term: **15 Years** 2013/0133915 A1 * 5/2013 Feye-Hohmann
H01R 13/6273
174/50
(21) Appl. No.: **29/686,035** 2016/0139355 A1 * 5/2016 Petersen G02B 6/4478
385/100
(22) Filed: **Apr. 2, 2019** 2018/0040996 A1 * 2/2018 Zhu H01R 27/02
2019/0202523 A1 * 7/2019 Erdmann B62K 23/04
2020/0203873 A1 * 6/2020 Wang H01R 13/187

Related U.S. Application Data

(63) Continuation-in-part of application No. 29/592,463,
filed on Jan. 30, 2017, now Pat. No. Des. 851,048.
(51) **LOC (12) Cl.** **13-03**
(52) **U.S. Cl.**
USPC **D13/155**
(58) **Field of Classification Search**
USPC D13/103, 151-155, 184
CPC H01H 85/165; H01R 4/70; H01R 27/02;
H02G 15/04; H05K 5/00
See application file for complete search history.

* cited by examiner

Primary Examiner — Jennifer Rivard
Assistant Examiner — Alison M Ofstun
(74) *Attorney, Agent, or Firm* — Mitchell Law PLLC;
Matthew W. Mitchell

(57) **CLAIM**

The ornamental design for an electrical and cabling housing,
as shown and described.

DESCRIPTION

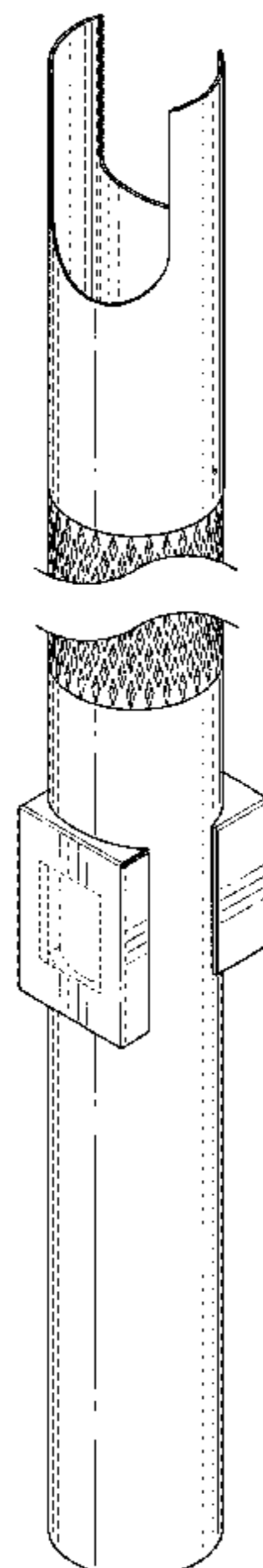
FIG. 1 is a front isometric view of an electrical and cabling housing showing my new design;
FIG. 2 is a front view thereof;
FIG. 3 is a back view thereof;
FIG. 4 is a left-side view thereof;
FIG. 5 is a right-side view thereof; and,
FIG. 6 is a top plan view thereof.
The article is shown with a symbolic break in its length. The appearance of any portion of the article between the break lines forms no part of the claimed design.
In the drawings, the broken lines illustrate portions of the article which form no part of the claimed design.

1 Claim, 6 Drawing Sheets

(56) **References Cited**

U.S. PATENT DOCUMENTS

1,579,596 A * 4/1926 Cote H01H 85/10
337/290
D185,959 S * 8/1959 Schroeder D13/184
3,984,623 A * 10/1976 Worden H02G 15/04
174/138 F
D279,286 S * 6/1985 Smith D13/184
D354,739 S * 1/1995 Durham D13/184
5,655,931 A * 8/1997 Perugini H01R 4/56
439/573
6,071,145 A * 6/2000 Toly H01R 13/53
439/465
D442,522 S * 5/2001 Lin D12/127
D446,498 S * 8/2001 Galante D13/110



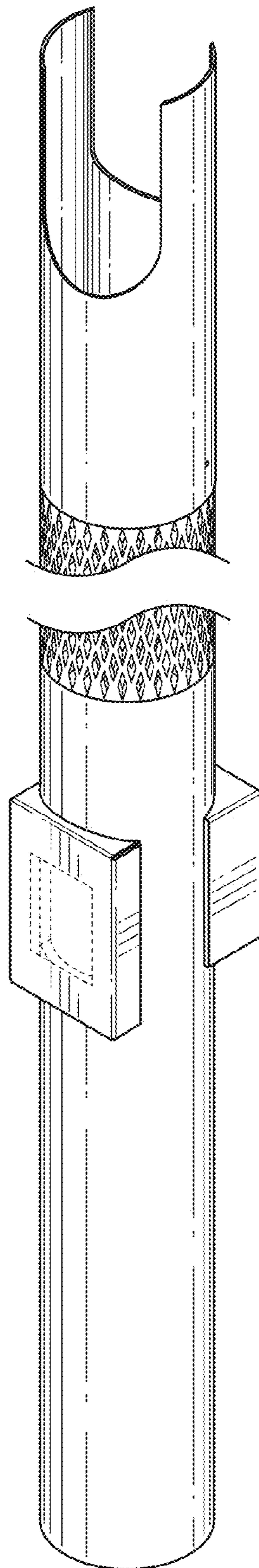


FIG. 1

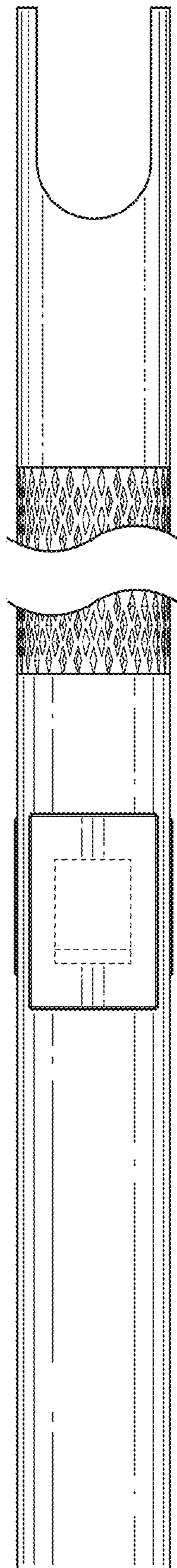


FIG. 2

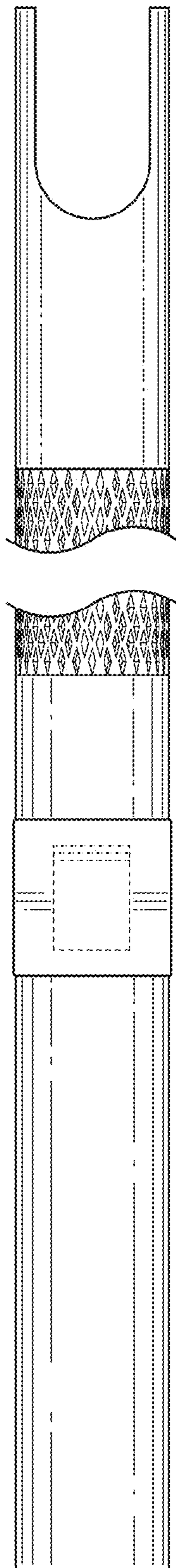


FIG. 3

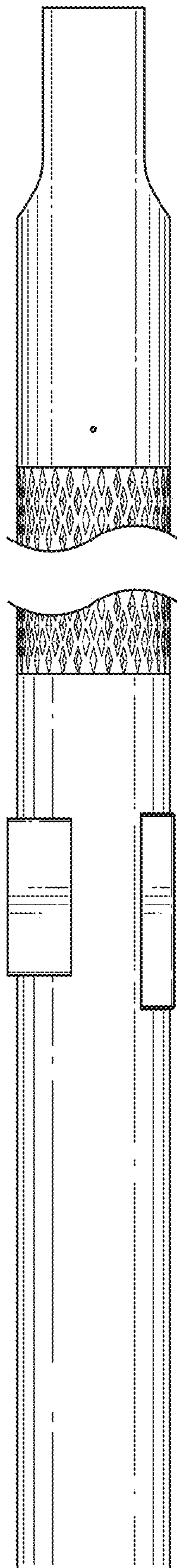


FIG. 4

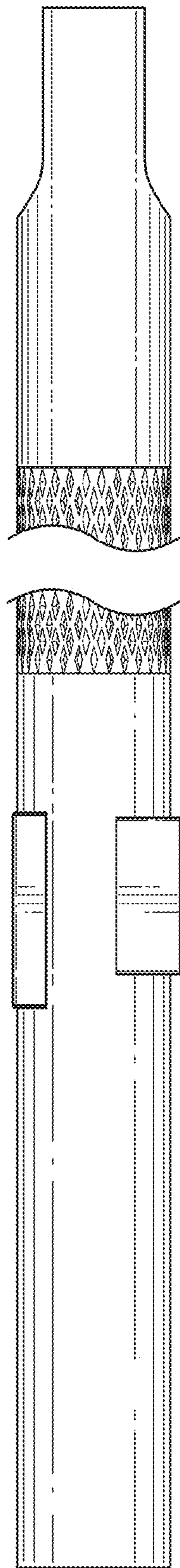


FIG. 5

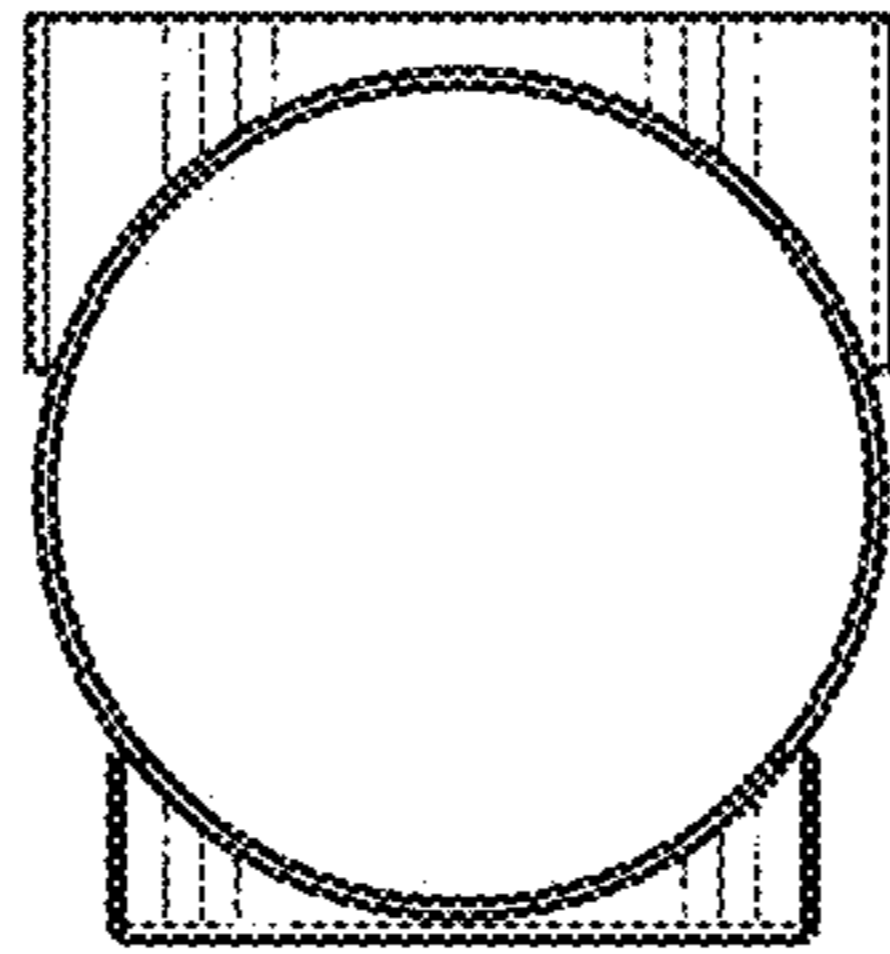


FIG. 6