



US00D904313S

(12) **United States Design Patent**
Delker et al.

(10) **Patent No.:** **US D904,313 S**
(45) **Date of Patent:** **** Dec. 8, 2020**

(54) **ELECTRICAL CONNECTION PLUG**

(71) Applicant: **Phoenix Contact GmbH & Co. KG**,
Blomberg (DE)

(72) Inventors: **Michael Delker**, Herrenberg (DE);
Hrvoje Babic, Reutlingen (DE);
Morten Harren, Herrenberg (DE);
Manfred Brode, Oeschelbronn (DE);
Markus Michel, Nagold (DE); **Markus**
Hermann, Ammerbuch-Breitenholz
(DE); **Joerg Zenkner**, Forchtenberg
(DE); **Lisa Gebhard**, Herrenberg (DE)

(73) Assignee: **PHOENIX CONTACT GMBH & CO.**
KG, Blomberg (DE)

(**) Term: **15 Years**

(21) Appl. No.: **29/686,384**

(22) Filed: **Apr. 4, 2019**

(30) **Foreign Application Priority Data**

Oct. 29, 2018 (EM) 005812302

(51) **LOC (12) Cl.** **13-03**

(52) **U.S. Cl.**
USPC **D13/151; D13/133**

(58) **Field of Classification Search**
USPC D13/123, 133, 146, 147, 149, 154, 156,
D13/173, 184, 199, 151
CPC . H01R 9/00; H01R 9/05; H01R 12/00; H01R
13/00; H01R 13/26; H01R 13/42; H01R
13/46; H01R 13/622; H01R 24/00; H01R
4/38; H01R 13/424; H01R 13/506; H01R
13/62; H01R 24/38
See application file for complete search history.

(56) **References Cited**

U.S. PATENT DOCUMENTS

4,440,464 A * 4/1984 Spinner H01R 27/00
439/218
D360,617 S * 7/1995 Grande D13/133

D422,230 S * 4/2000 Johnston D10/80
D525,202 S * 7/2006 Bihrer D13/146
D581,364 S * 11/2008 Cummings D13/151
D712,840 S * 9/2014 Sykes D13/151
D753,594 S * 4/2016 Katagiyama D13/133
D836,069 S * 12/2018 Barrefelt D13/133
2008/0102654 A1 * 5/2008 Kari H01R 24/50
439/63
2009/0191738 A1 * 7/2009 Kadar-Kallen G02B 6/389
439/207
2010/0022123 A1 * 1/2010 Zhang H01R 13/42
439/578
2010/0104355 A1 * 4/2010 Sugimoto G02B 6/3897
403/292

(Continued)

Primary Examiner — Angela J Lee

Assistant Examiner — Shawn T Gingrich

(74) *Attorney, Agent, or Firm* — Leydig, Voit & Mayer,
Ltd.

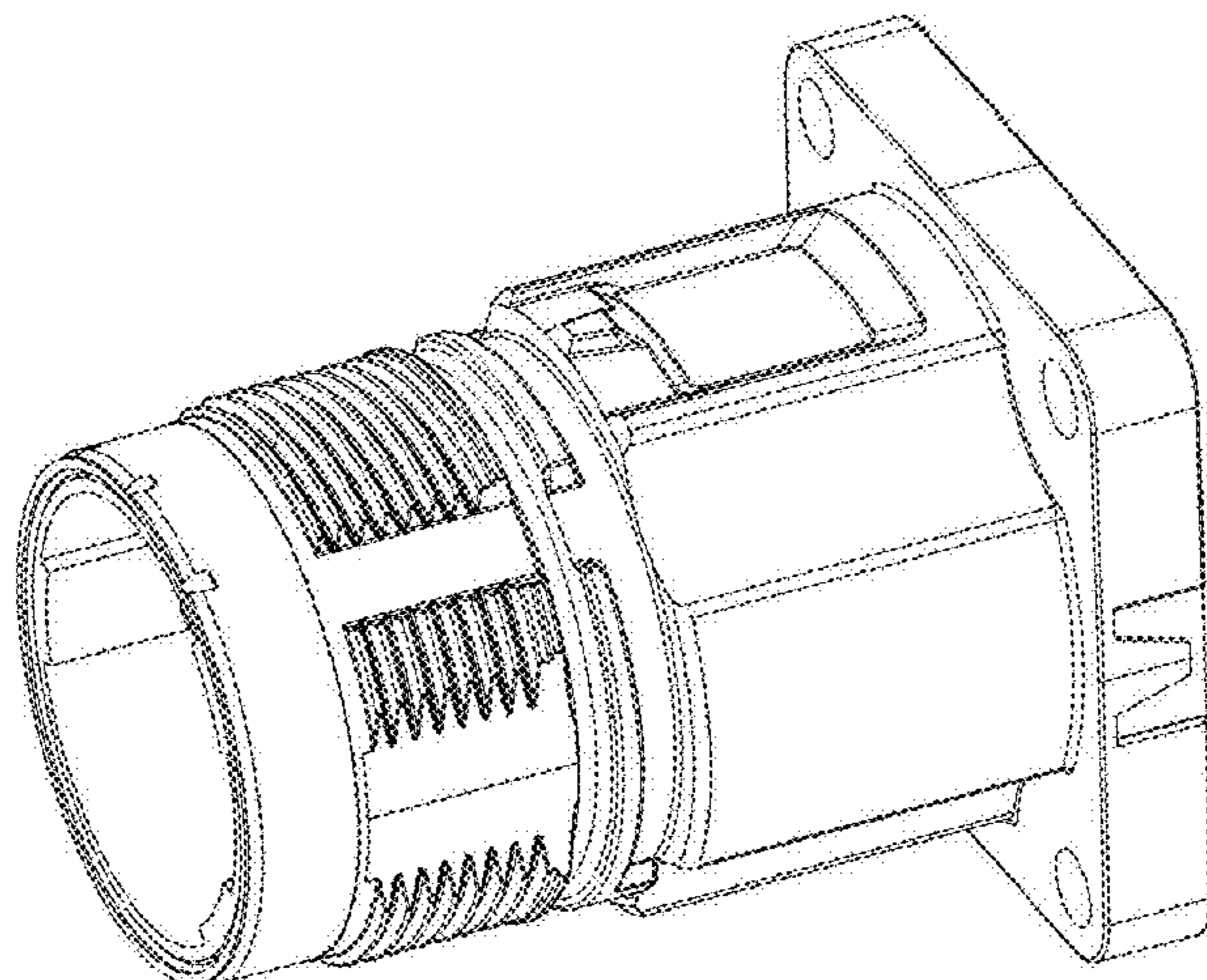
(57) **CLAIM**

The ornamental design for an electrical connection plug, as shown and described.

DESCRIPTION

FIG. 1 is a front-right-top perspective view of an electrical connection plug showing our new design;
FIG. 2 is a right-end view thereof;
FIG. 3 is a front view thereof;
FIG. 4 is a top view thereof;
FIG. 5 is a rear view thereof;
FIG. 6 is a bottom view thereof; and,
FIG. 7 is a left-end view thereof.
The broken lines in the drawings illustrate portions of the electrical connection plug that form no part of the claimed design.

1 Claim, 7 Drawing Sheets



(56)

References Cited

U.S. PATENT DOCUMENTS

2015/0222061 A1* 8/2015 Kaneko H01R 24/50
439/581
2019/0123487 A1* 4/2019 Norland H01R 13/622
2019/0386426 A1* 12/2019 Watkins H01R 13/622
2019/0386445 A1* 12/2019 Watkins H01R 4/50
2020/0044394 A1* 2/2020 Qin H01R 24/40
2020/0091630 A1* 3/2020 Wang H01R 9/0518

* cited by examiner

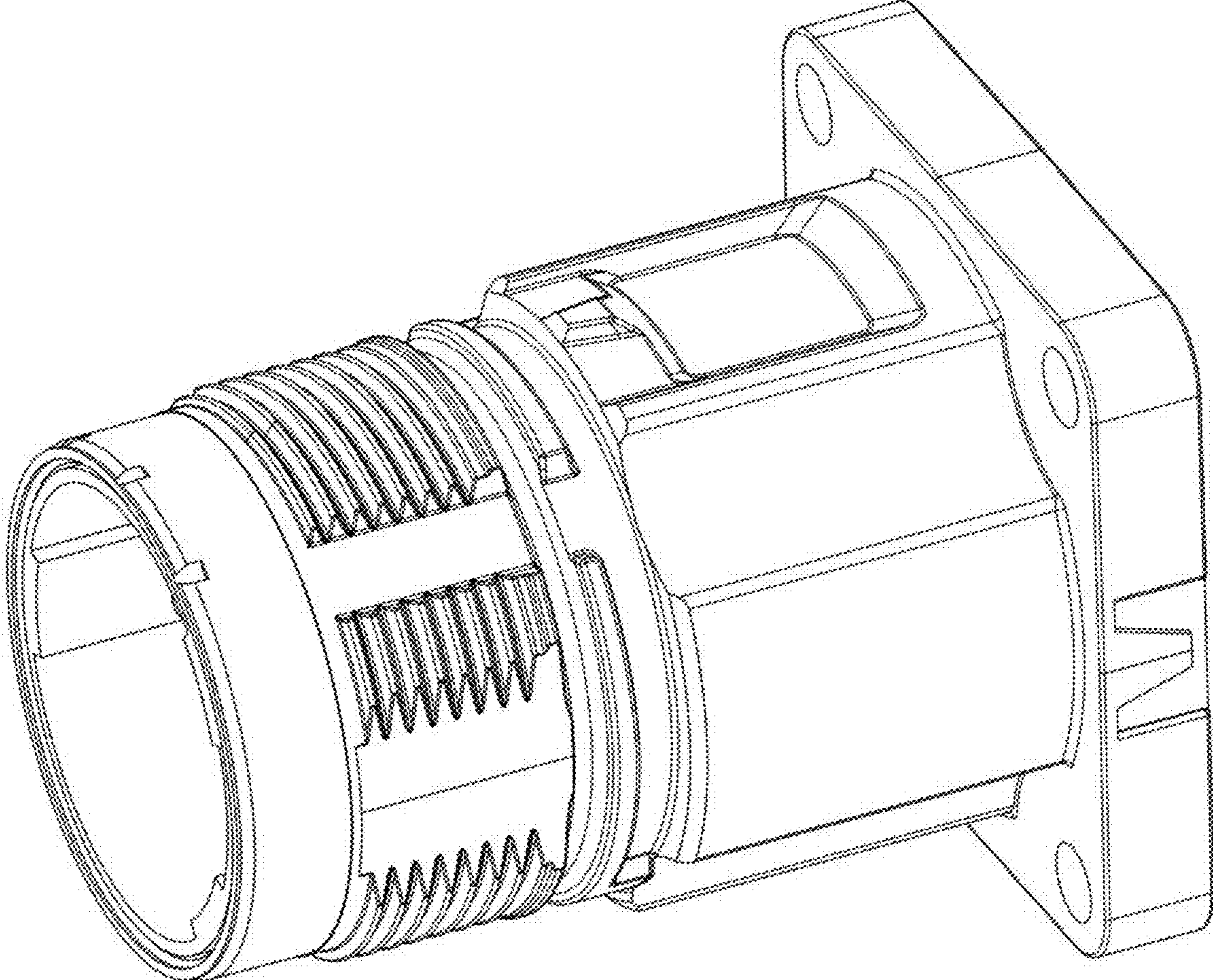


FIG. 1

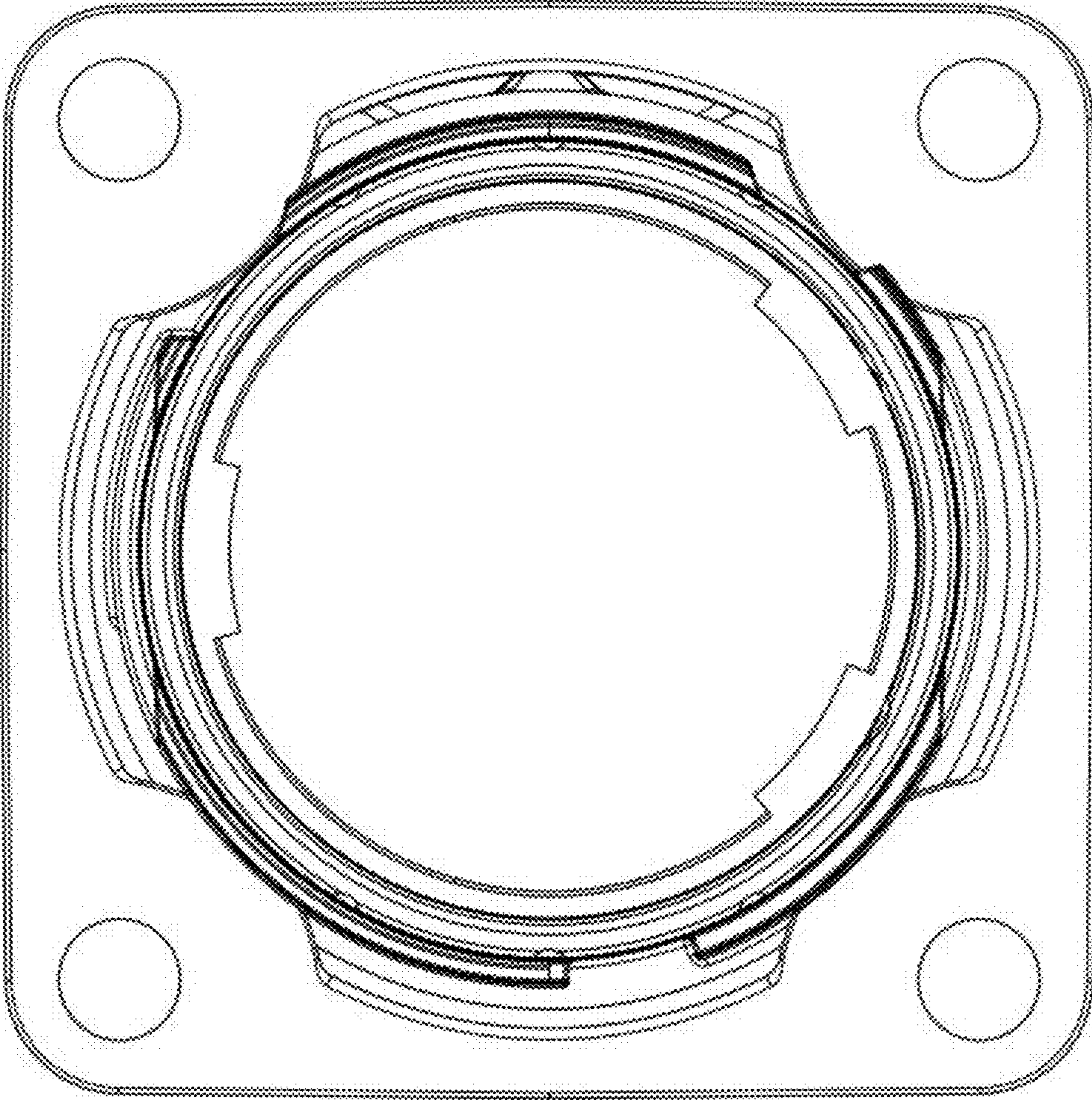


FIG. 2

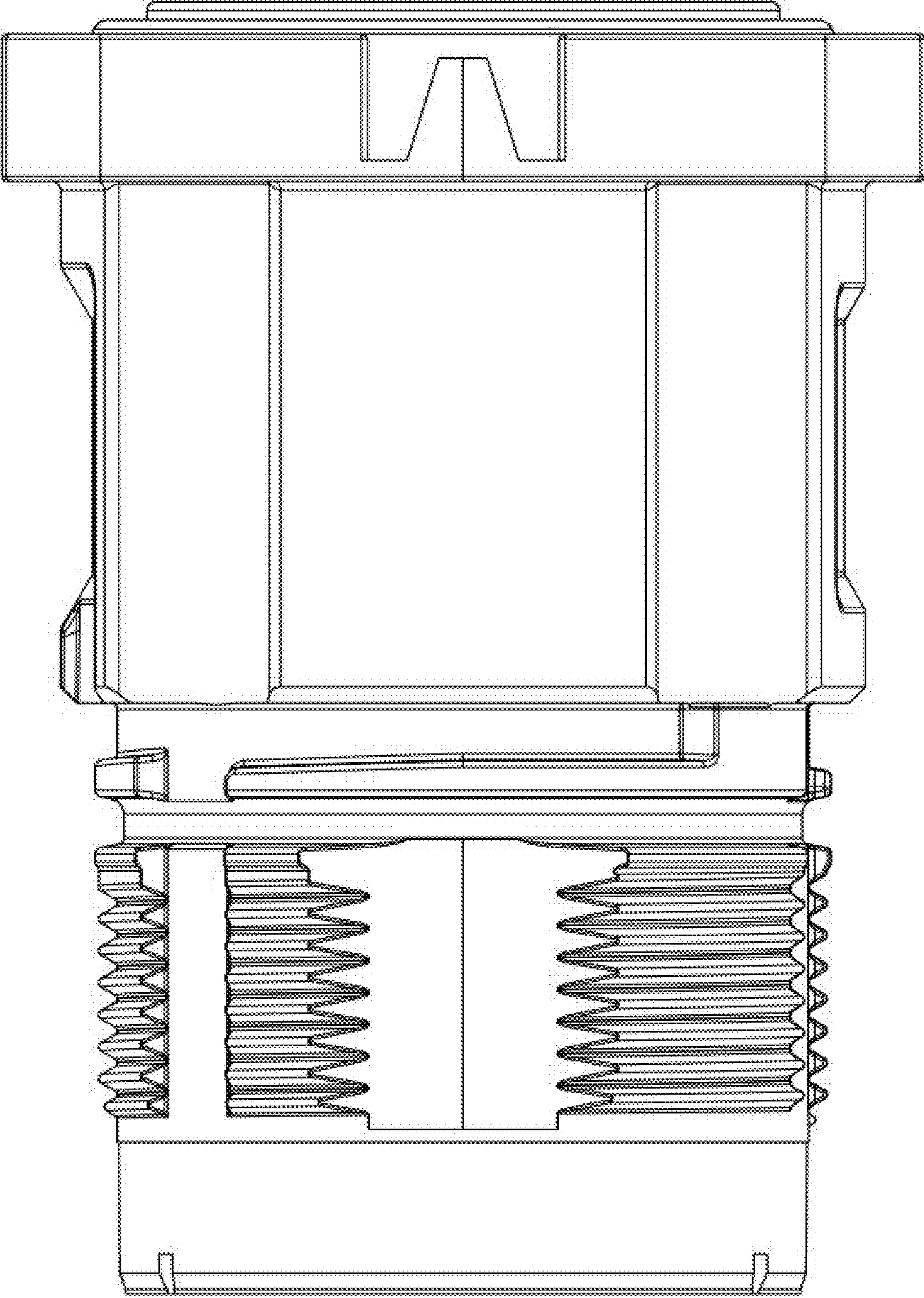


FIG. 3

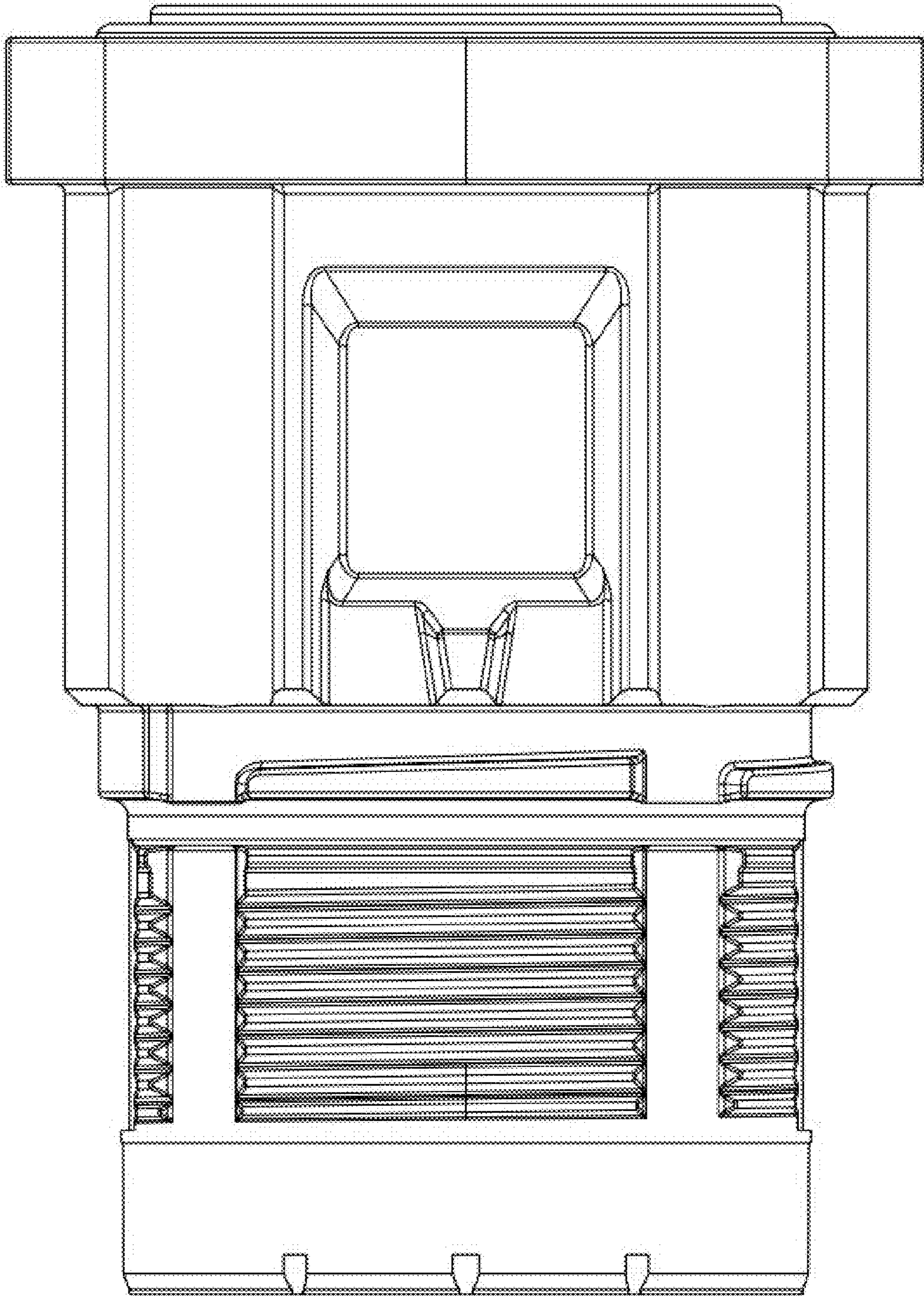


FIG. 4

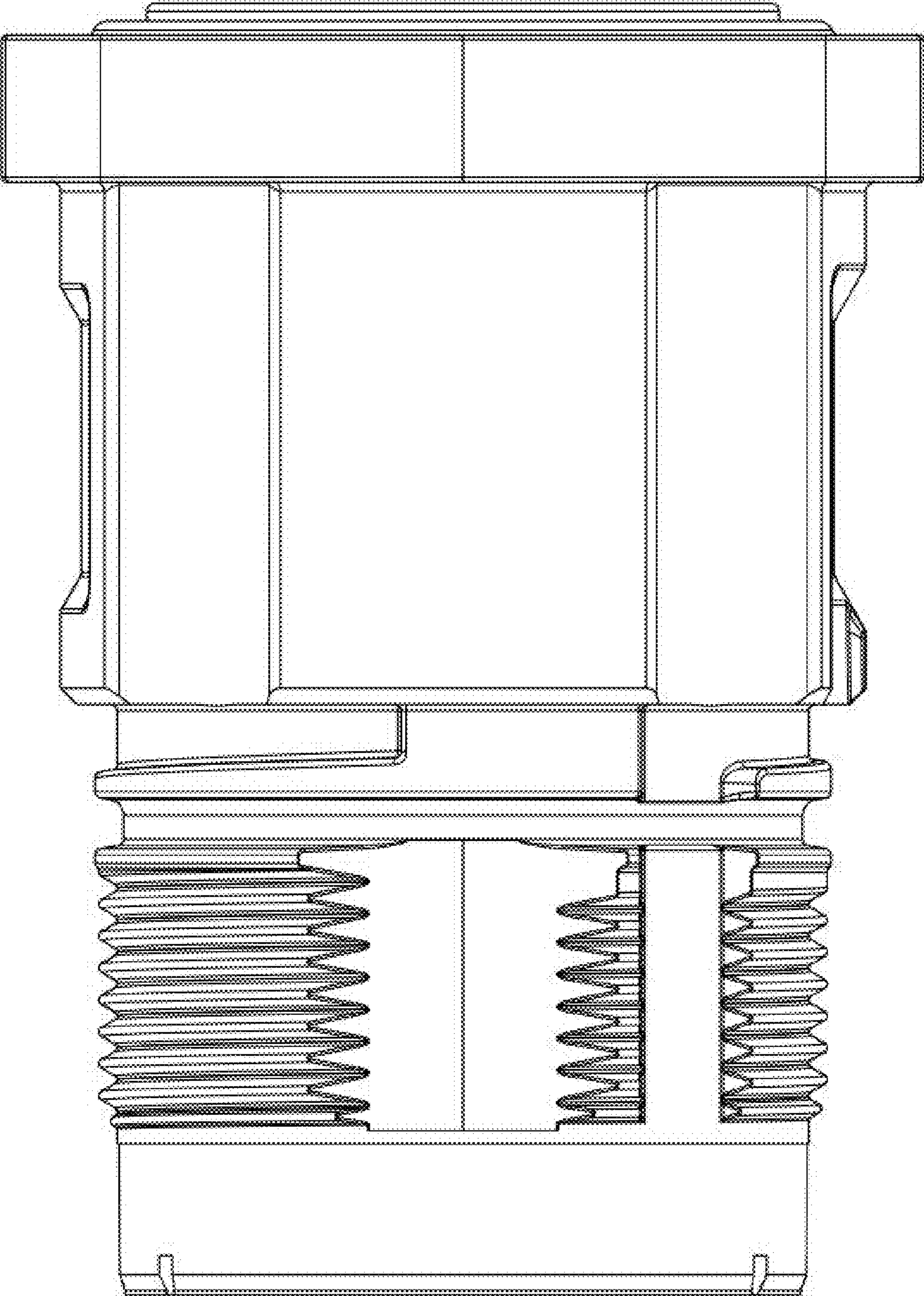


FIG. 5

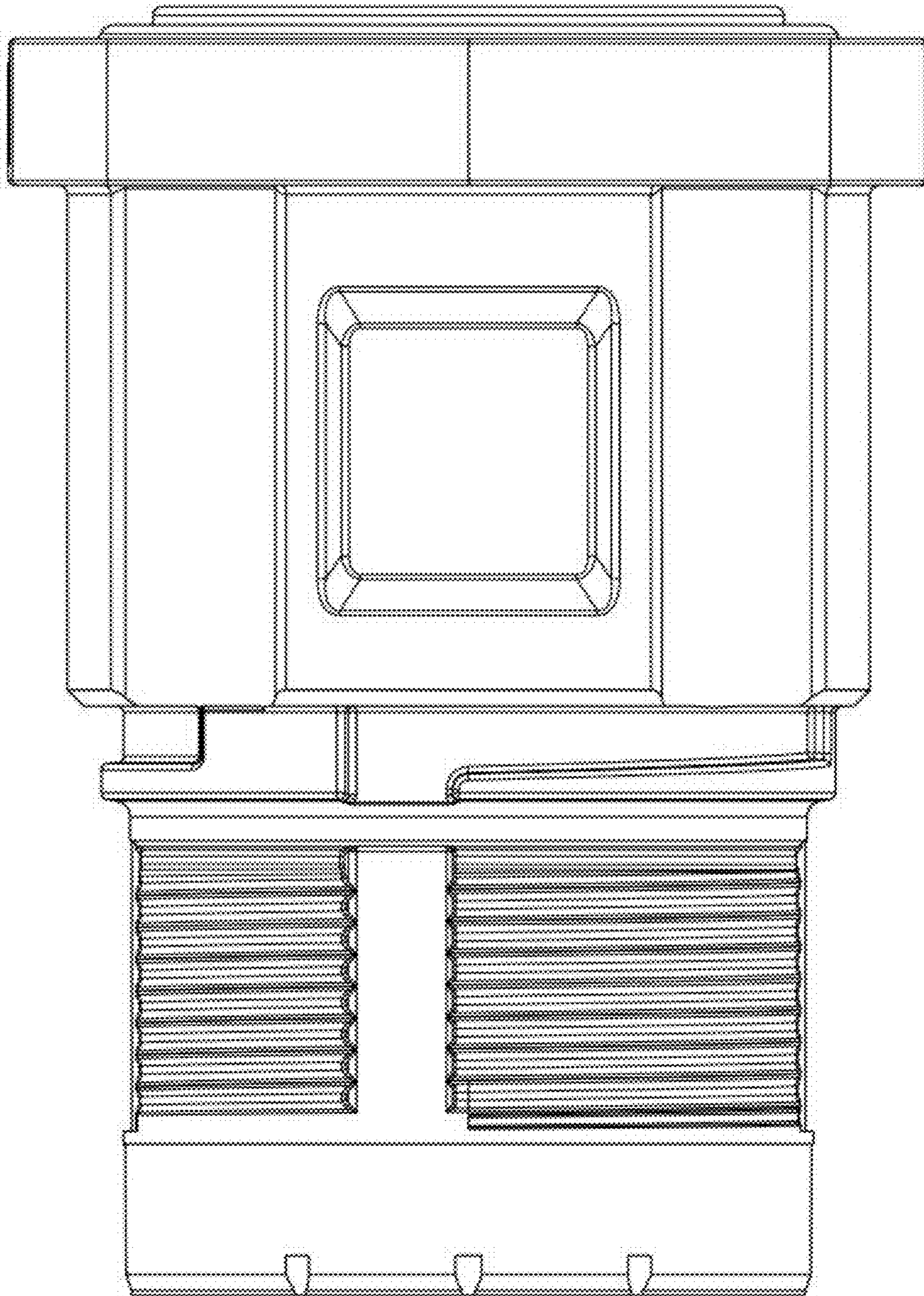


FIG. 6

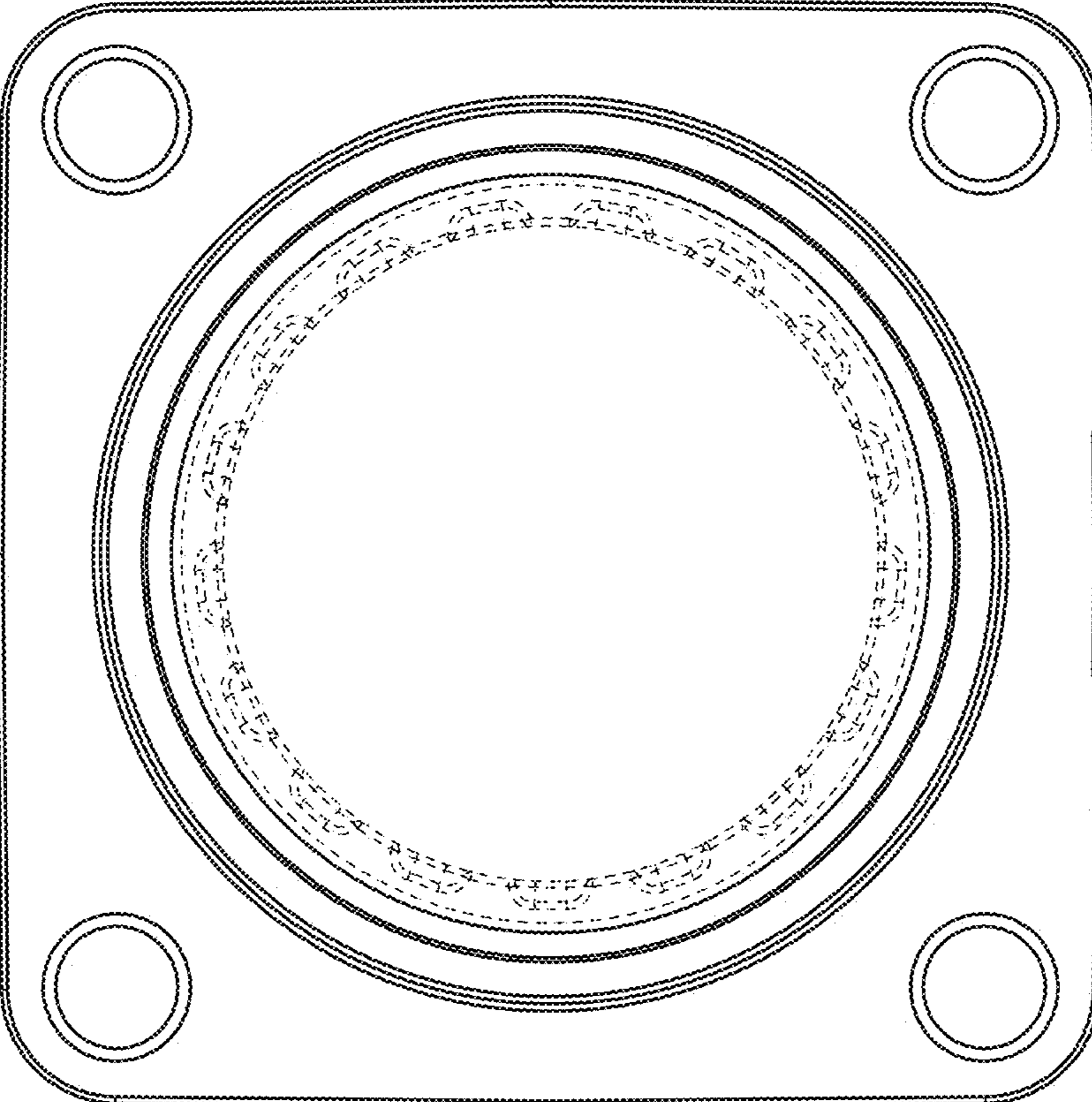


FIG. 7