



US00D904307S

(12) **United States Design Patent**
Chen

(10) **Patent No.:** **US D904,307 S**

(45) **Date of Patent:** **** Dec. 8, 2020**

(54) **SOCKET**

(71) Applicant: **SHENZHEN ANHAORUIHE ELECTRONICS CO., LTD.**, Shenzhen (CN)

(72) Inventor: **Xinjiao Chen**, Shenzhen (CN)

(73) Assignee: **SHENZHEN ANHAORUIHE ELECTRONICS CO., LTD.**, Shenzhen (CN)

(**) Term: **15 Years**

(21) Appl. No.: **29/740,864**

(22) Filed: **Jul. 8, 2020**

(51) **LOC (12) Cl.** **13-03**

(52) **U.S. Cl.**
USPC **D13/137.1**

(58) **Field of Classification Search**
USPC D13/137.1-137.3, 107, 110, 108,
D13/138.1-138.2, 139.1-139.8, 162.1;
D14/433, 240; D10/40
CPC ... H01R 13/746; H01R 13/5825; H01R 31/06
See application file for complete search history.

(56) **References Cited**

U.S. PATENT DOCUMENTS

D456,008 S *	4/2002	Kawanobe	D13/110
D460,044 S *	7/2002	Stekelenburg	D13/138.2
D473,515 S *	4/2003	Salazar	D13/107
D483,721 S *	12/2003	Kim	D13/110
D486,450 S *	2/2004	Stekelenburg	D13/137.3
D513,705 S *	1/2006	Stekelenburg	D10/40
D524,731 S *	7/2006	Navarez	D13/108
D536,269 S *	2/2007	Stekelenburg	D10/40
D561,694 S *	2/2008	Lam	D13/110
D584,690 S *	1/2009	Hsiung	D13/138.1
D623,595 S *	9/2010	Ruffner	D13/139.1

D633,869 S *	3/2011	Aromin	D13/138.1
D646,591 S *	10/2011	Stekelenburg	D10/40
D653,209 S *	1/2012	Lee	D13/110
D660,797 S *	5/2012	Wu	D13/110
D676,382 S *	2/2013	McSweyn	D13/108
D677,223 S *	3/2013	Cho	D13/110
D701,835 S *	4/2014	Byrne	D13/138.2
D713,788 S *	9/2014	Hasegawa	D13/110
D733,055 S *	6/2015	Kao	D13/138.1
D735,136 S *	7/2015	Aromin	D13/138.2
D742,831 S *	11/2015	Yu	D13/139.6
D753,661 S *	4/2016	Daniel	D14/433
D755,127 S *	5/2016	Wong	D13/137.2
D758,312 S *	6/2016	Lin	D13/137.2
D762,572 S *	8/2016	Nazar	D13/108
D784,263 S *	4/2017	Xu	D13/138.2
9,748,709 B2 *	8/2017	Byrne	H01R 13/746
D800,077 S *	10/2017	Windstrup	D13/162.1
D807,295 S *	1/2018	Xu	D13/137.2
D807,298 S *	1/2018	Xu	D13/139.8

(Continued)

Primary Examiner — Rhea Shields

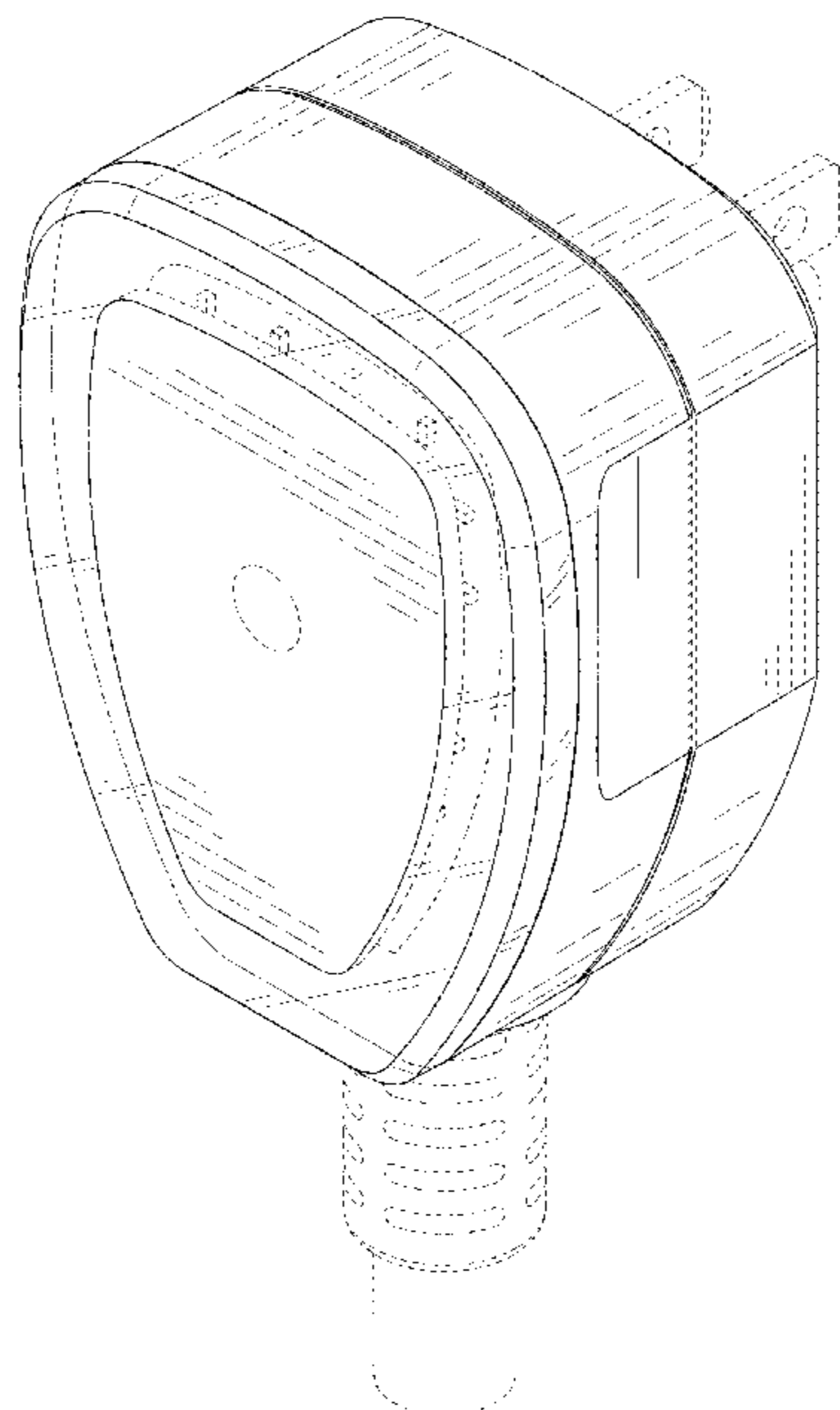
(57) **CLAIM**

The ornamental design for a socket, as shown and described.

DESCRIPTION

FIG. 1 is a perspective view of the socket showing my new design;
 FIG. 2 is another perspective view of the socket shown in FIG. 1;
 FIG. 3 is a front elevational view thereof;
 FIG. 4 is a rear elevational view thereof;
 FIG. 5 is a left side elevational view thereof;
 FIG. 6 is a right side elevational view thereof;
 FIG. 7 is a top plan view thereof; and,
 FIG. 8 is a bottom plan view thereof.
 The broken lines in the drawings depict portions of the socket that form no part of the claimed design.

1 Claim, 8 Drawing Sheets



(56)

References Cited

U.S. PATENT DOCUMENTS

D807,822	S *	1/2018	Senff	D13/110
9,882,313	B2 *	1/2018	Steinbuechel, IV	H01R 31/06
D813,852	S *	3/2018	Ni	D14/240
D814,420	S *	4/2018	Chen	D13/137.2
D823,801	S *	7/2018	Ouyang	D13/110
D826,163	S *	8/2018	Xu	D13/139.8
D835,042	S *	12/2018	Qiu	D13/137.2
D845,898	S *	4/2019	Laffon de Mazieres	D13/110
D858,447	S *	9/2019	Chen	D13/137.2
10,483,694	B2 *	11/2019	Crowder	H01R 13/5825
D880,425	S *	4/2020	Chen	D13/137.3
D881,820	S *	4/2020	Li	D13/139.8
D885,342	S *	5/2020	Wang	D13/110
D888,666	S *	6/2020	Zhang	D13/110
D899,373	S *	10/2020	Xu	D13/138.1

* cited by examiner

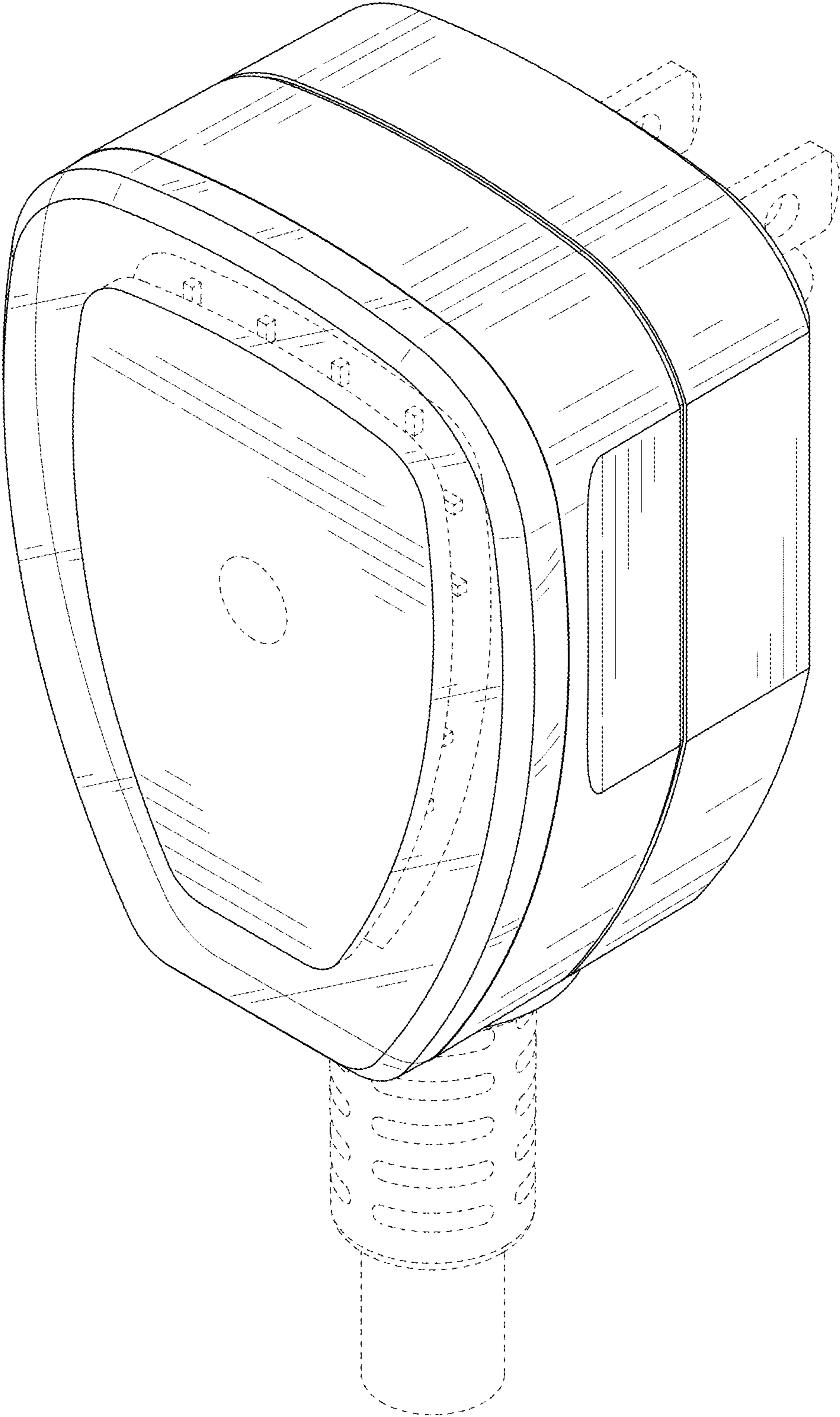


FIG. 1

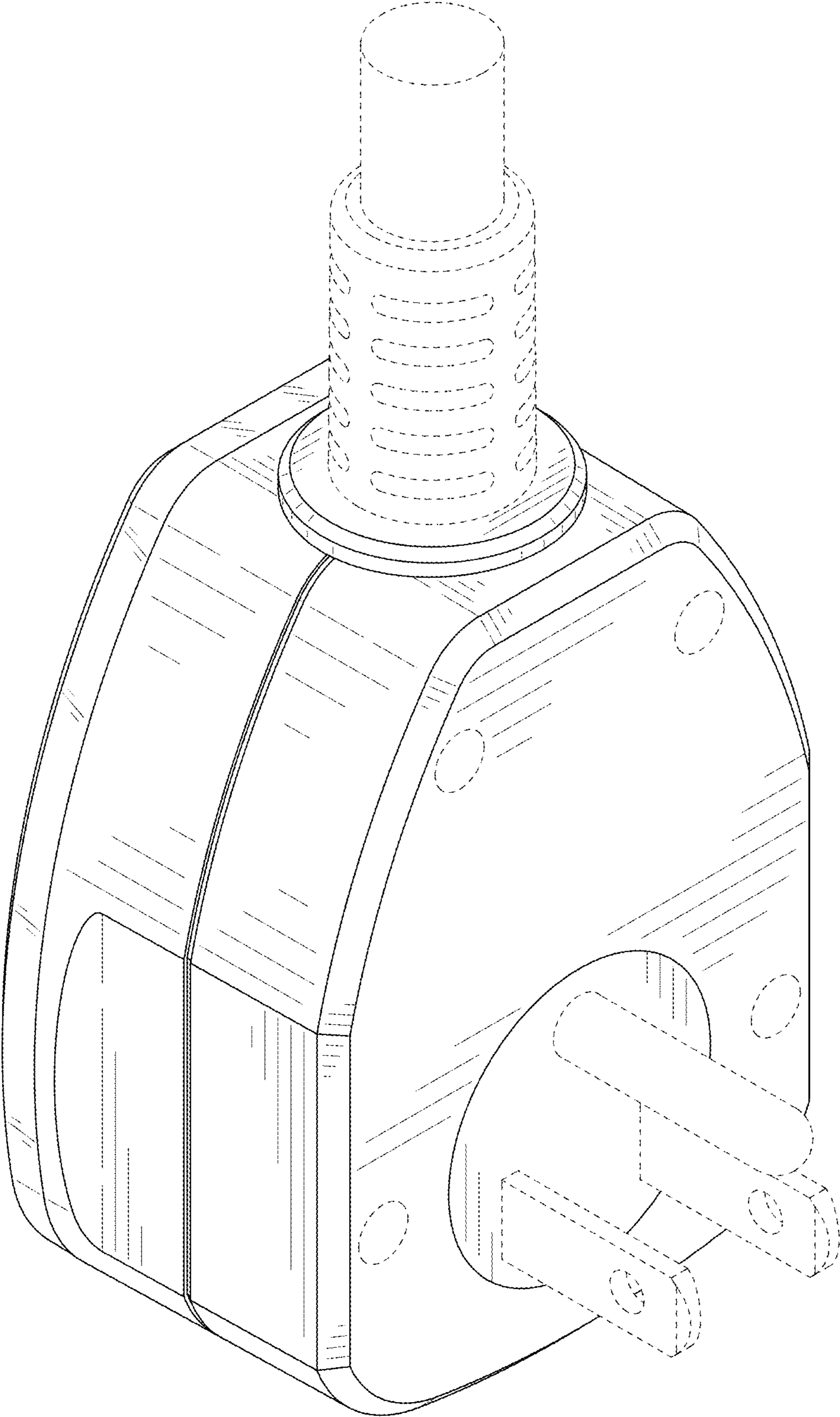


FIG. 2

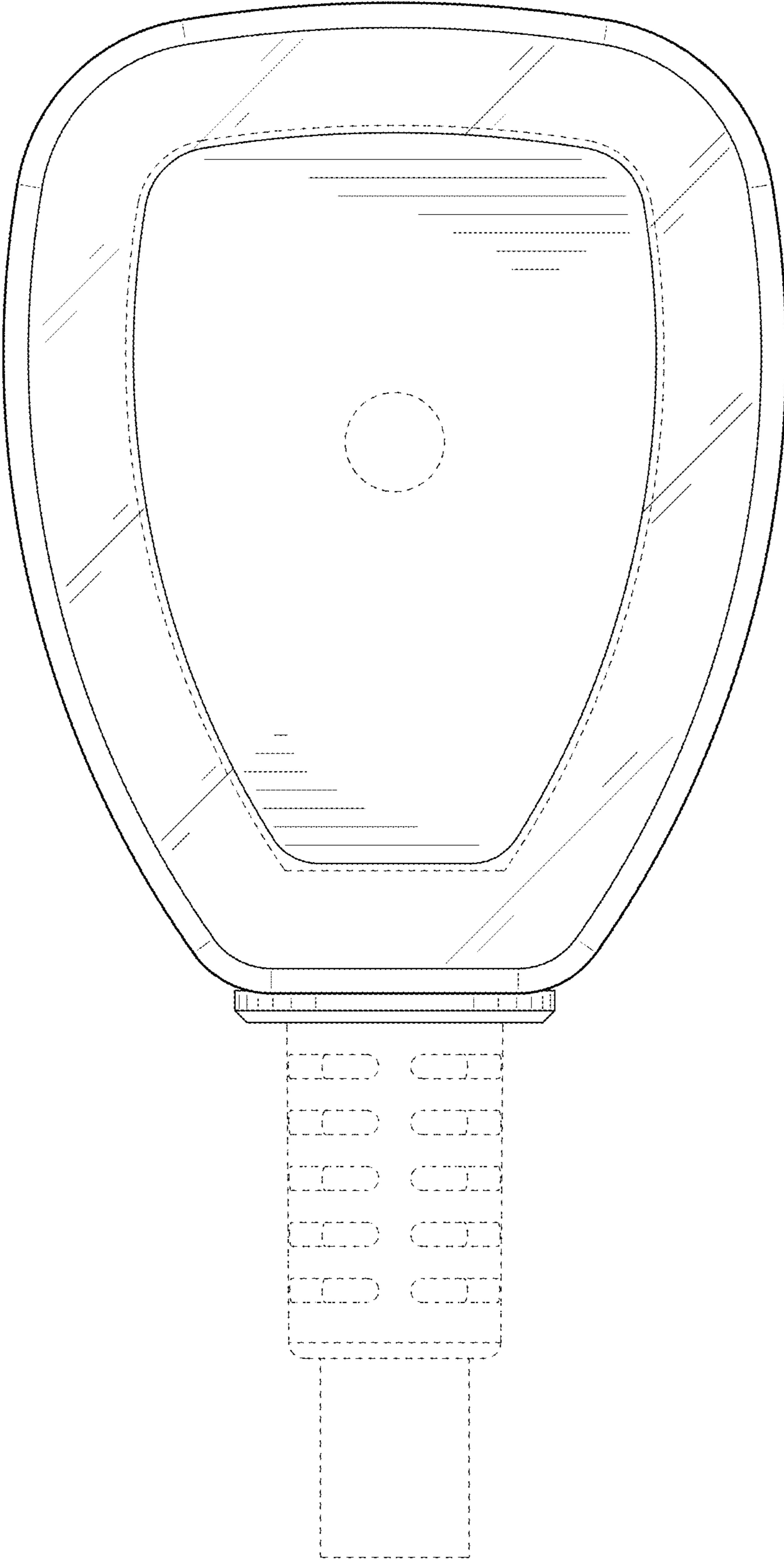


FIG. 3

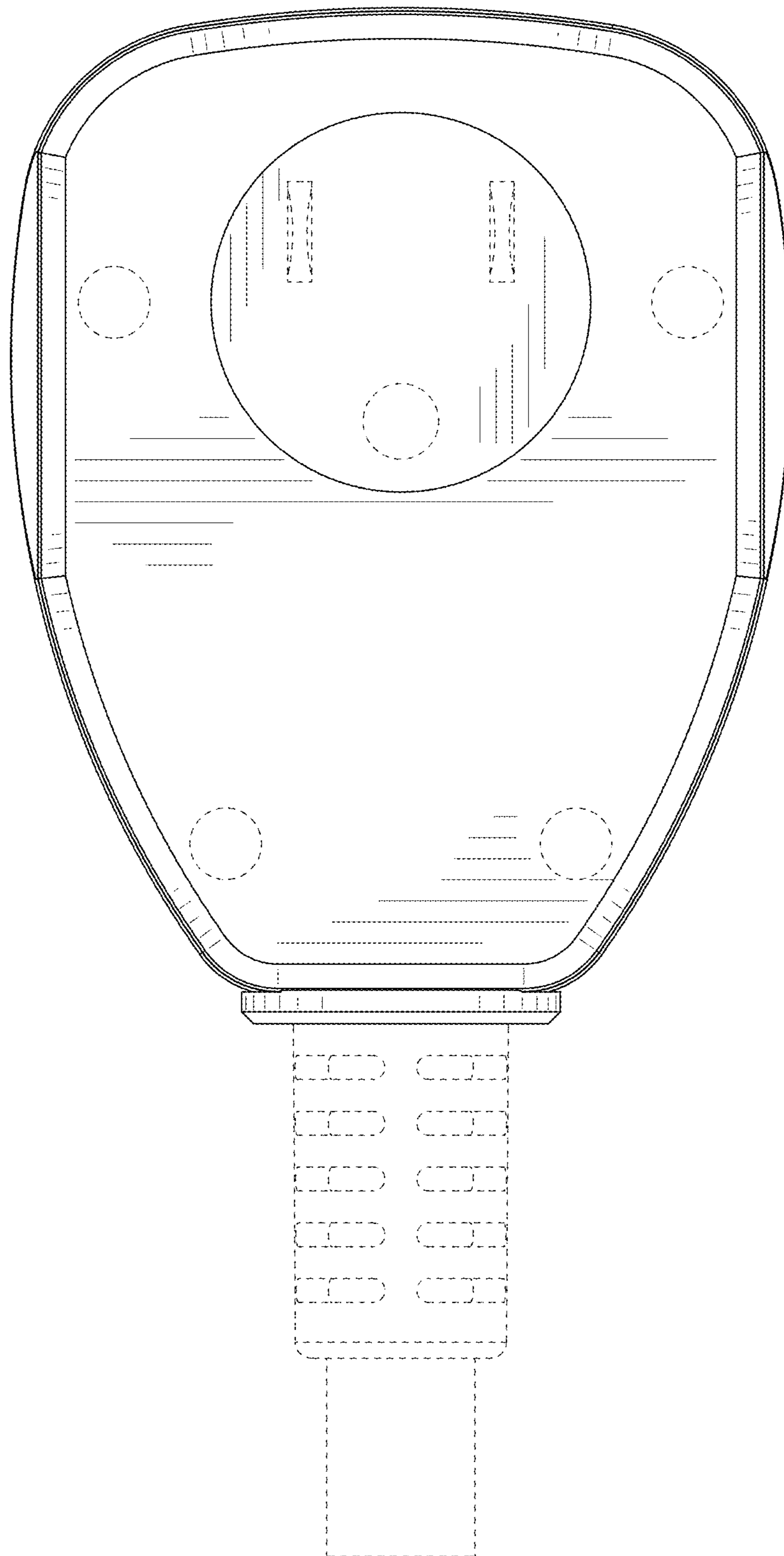


FIG. 4

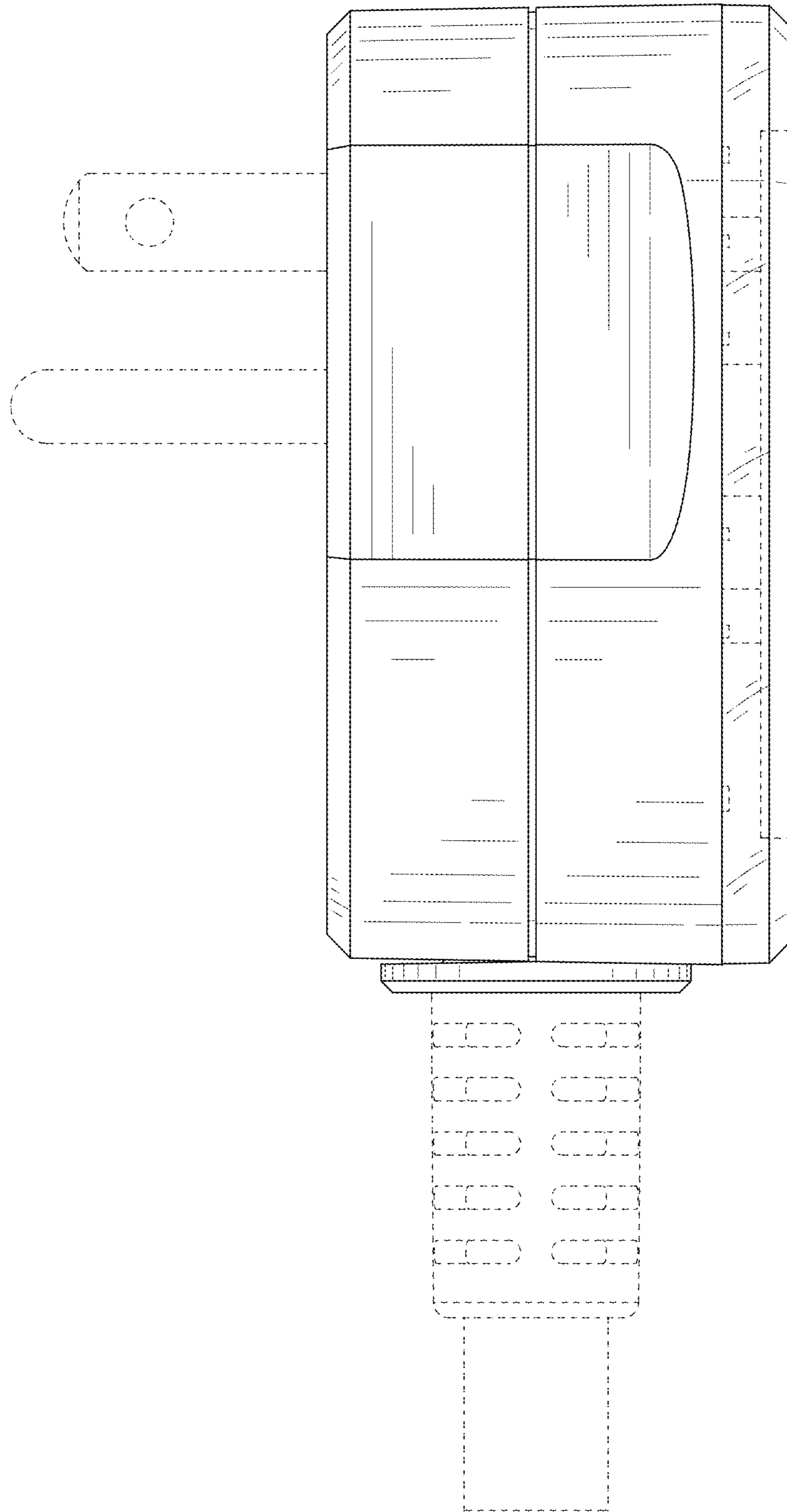


FIG. 5

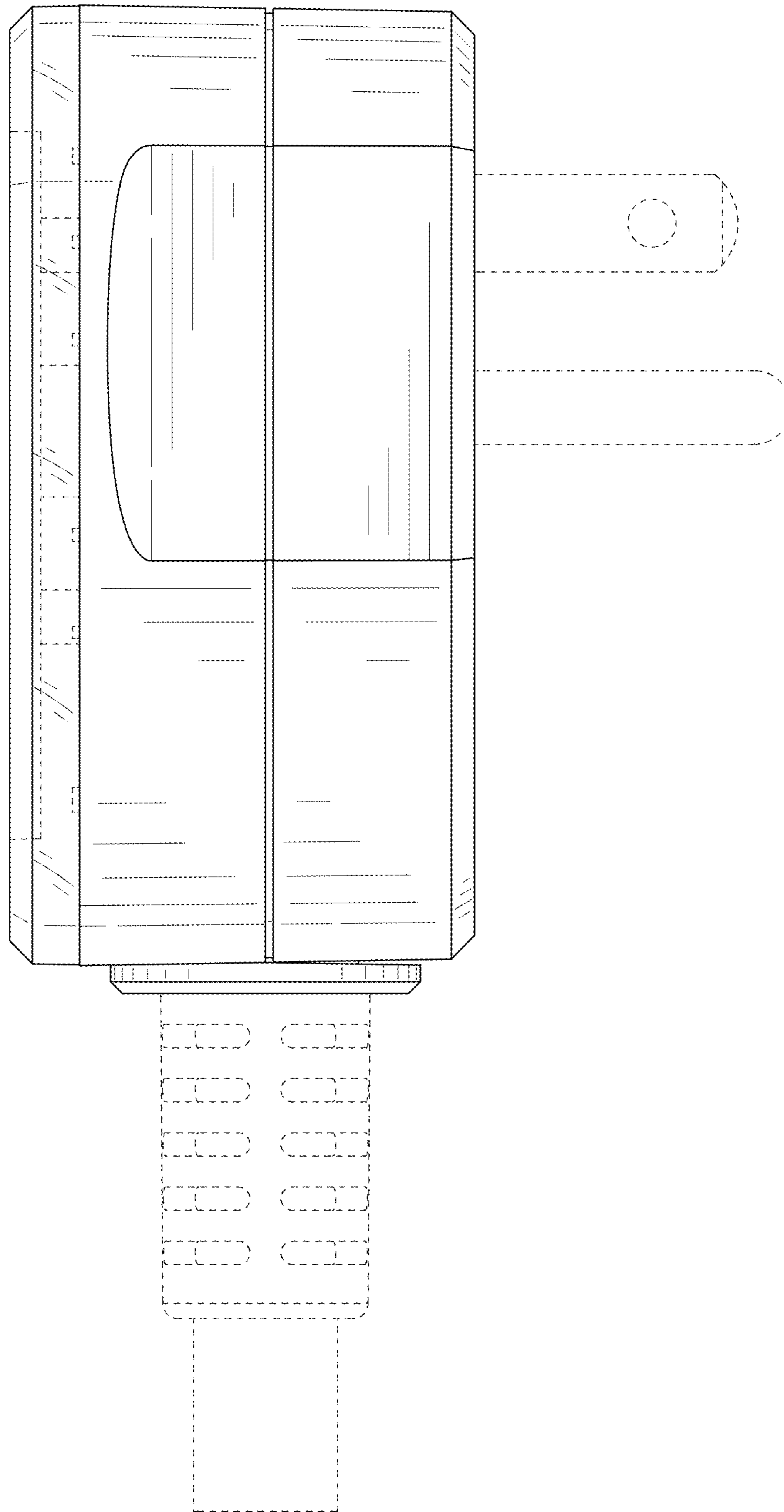


FIG. 6

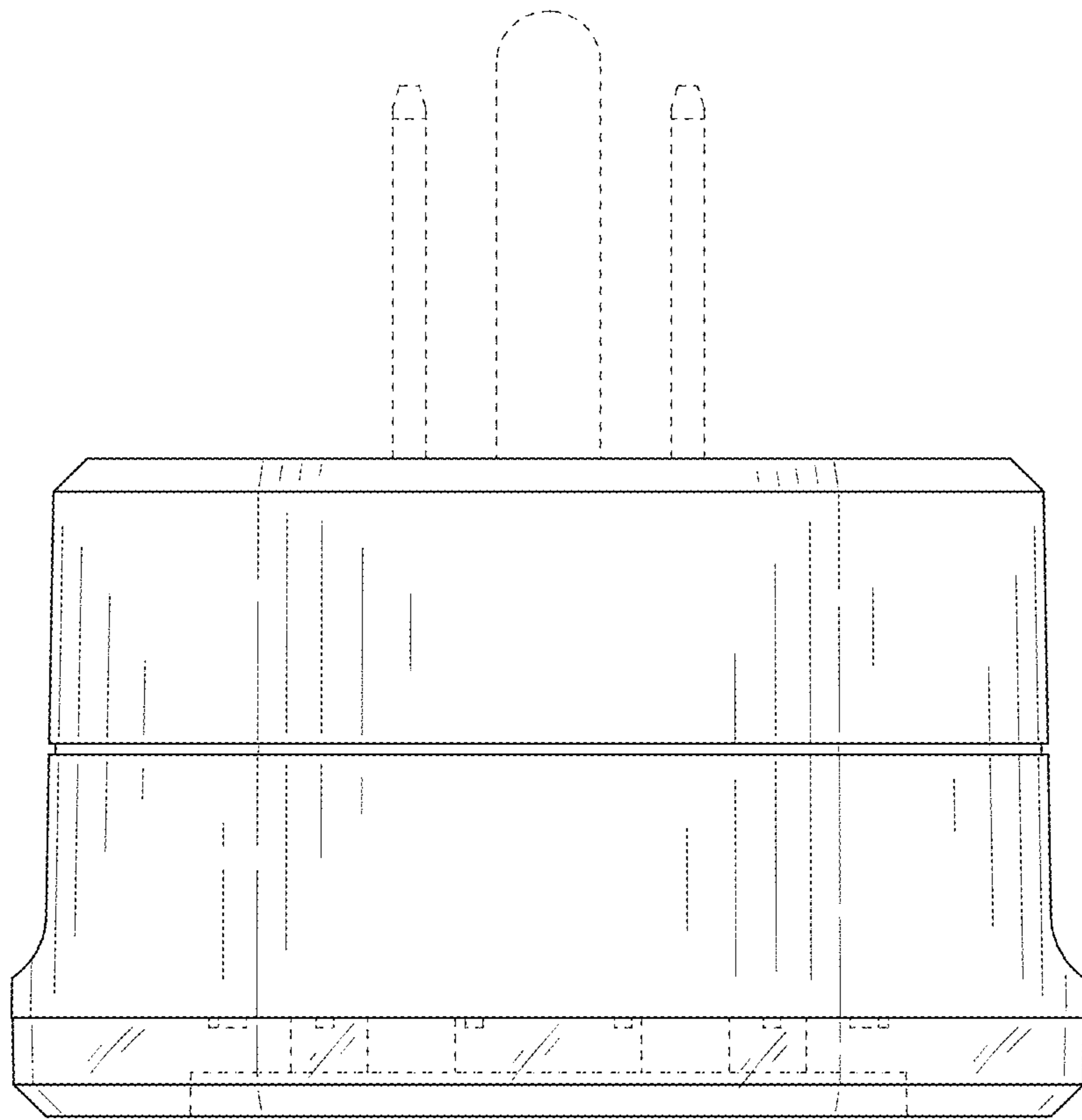


FIG. 7

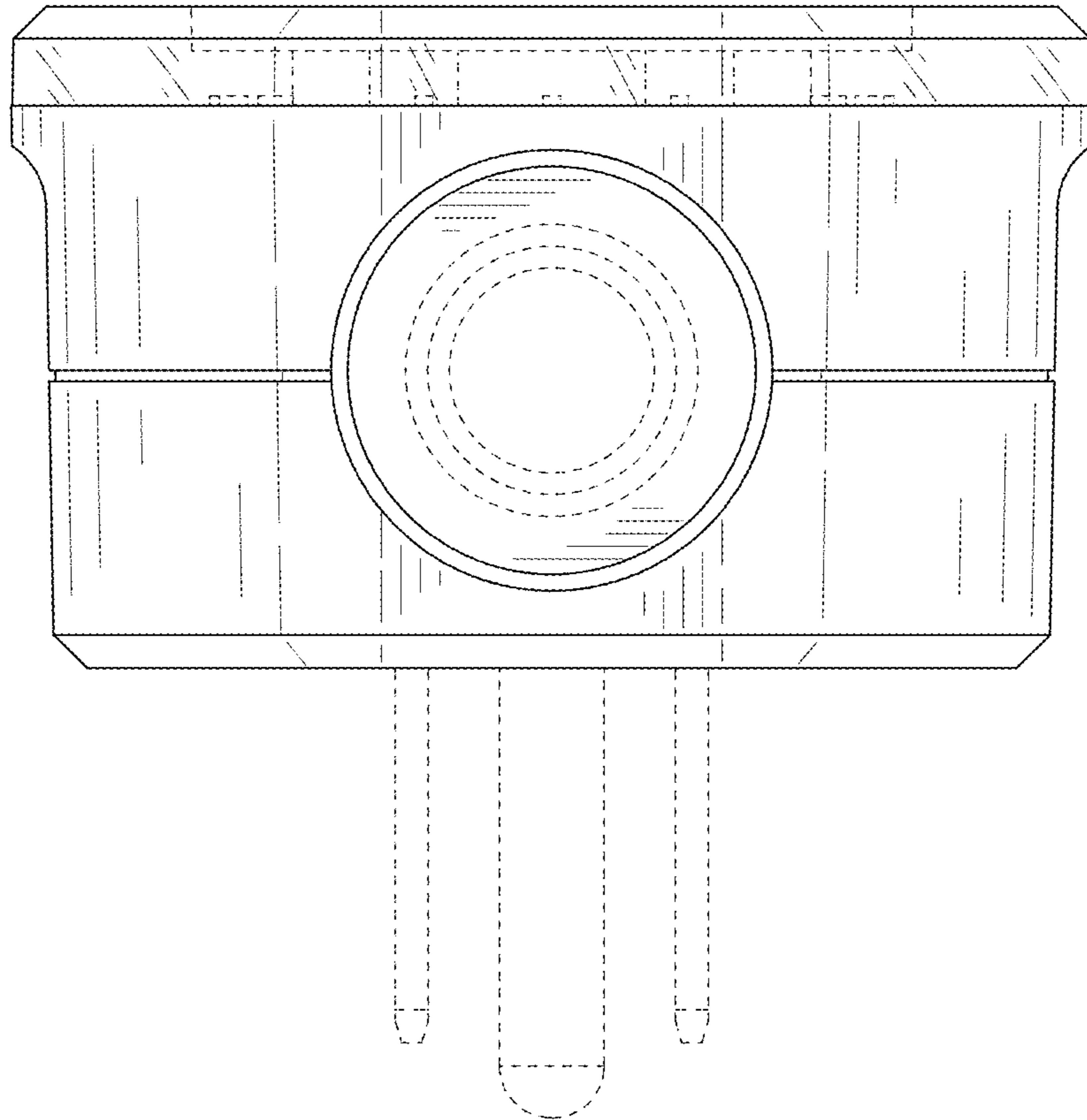


FIG. 8