



US00D904306S

(12) **United States Design Patent** (10) **Patent No.:** **US D904,306 S**
Blackburn (45) **Date of Patent:** **** Dec. 8, 2020**

(54) **GROUND BAR**

(71) Applicant: **Greg Allen Blackburn**, Richmond, VA (US)

(72) Inventor: **Greg Allen Blackburn**, Richmond, VA (US)

(**) Term: **15 Years**

(21) Appl. No.: **29/700,681**

(22) Filed: **Aug. 5, 2019**

(51) **LOC (12) Cl.** **13-03**

(52) **U.S. Cl.**

USPC **D13/133**; D13/154; D13/146

(58) **Field of Classification Search**

USPC D13/110, 118, 123, 133, 146, 147, 149,
D13/154, 173, 184, 199

CPC . H01R 4/029; H01R 4/60; H01R 4/66; H01R
9/05; H01R 9/0512; H01R 13/63; H01R
13/639; H01R 13/64; H01R 13/648;
H05K 9/00

See application file for complete search history.

(56) **References Cited**

U.S. PATENT DOCUMENTS

D317,434 S *	6/1991	McGrane	174/6
D317,435 S *	6/1991	McGrane	174/6
7,878,562 B2 *	2/2011	Hamano	H01L 21/68707 294/213
D743,901 S *	11/2015	Murphy	D13/147
D771,571 S *	11/2016	Miyamoto	D13/154
D784,932 S *	4/2017	Murphy	D13/154
D793,190 S *	8/2017	Deluccia	D8/16
2015/0245544 A1 *	8/2015	Baumler	H05K 1/18 174/360

OTHER PUBLICATIONS

Emerson Vintage-style Ground Plate for Strat, dated Jan. 30, 2017, [online], [site visited Aug. 26, 2020]. Available from Internet, URL: <https://www.stewmac.com/electronics/shielding/emerson-vintage-style-ground-plate-for-strat.html> (Year: 2017).*
Wall Mounted .25"x2"x10" Copper Ground Bar Kit—SCGB-1KT, dated Oct. 30, 2014, [online], [site visited Aug. 26, 2020]. Available from Internet, URL: <https://www.amazon.com/Wall-Mounted-Copper-Ground-SCGB-1KT/dp/B00GJUJUMI> (Year: 2014).*

* cited by examiner

Primary Examiner — Angela J Lee

Assistant Examiner — Shawn T Gingrich

(74) *Attorney, Agent, or Firm* — Bernard G. Pike; Pike IP Law, PLLC

(57) **CLAIM**

I claim the ornamental design for a ground bar, as shown and described.

DESCRIPTION

FIG. 1 is a perspective view of a ground bar, showing the new design.

FIG. 2 is a front view thereof.

FIG. 3 is a rear view thereof.

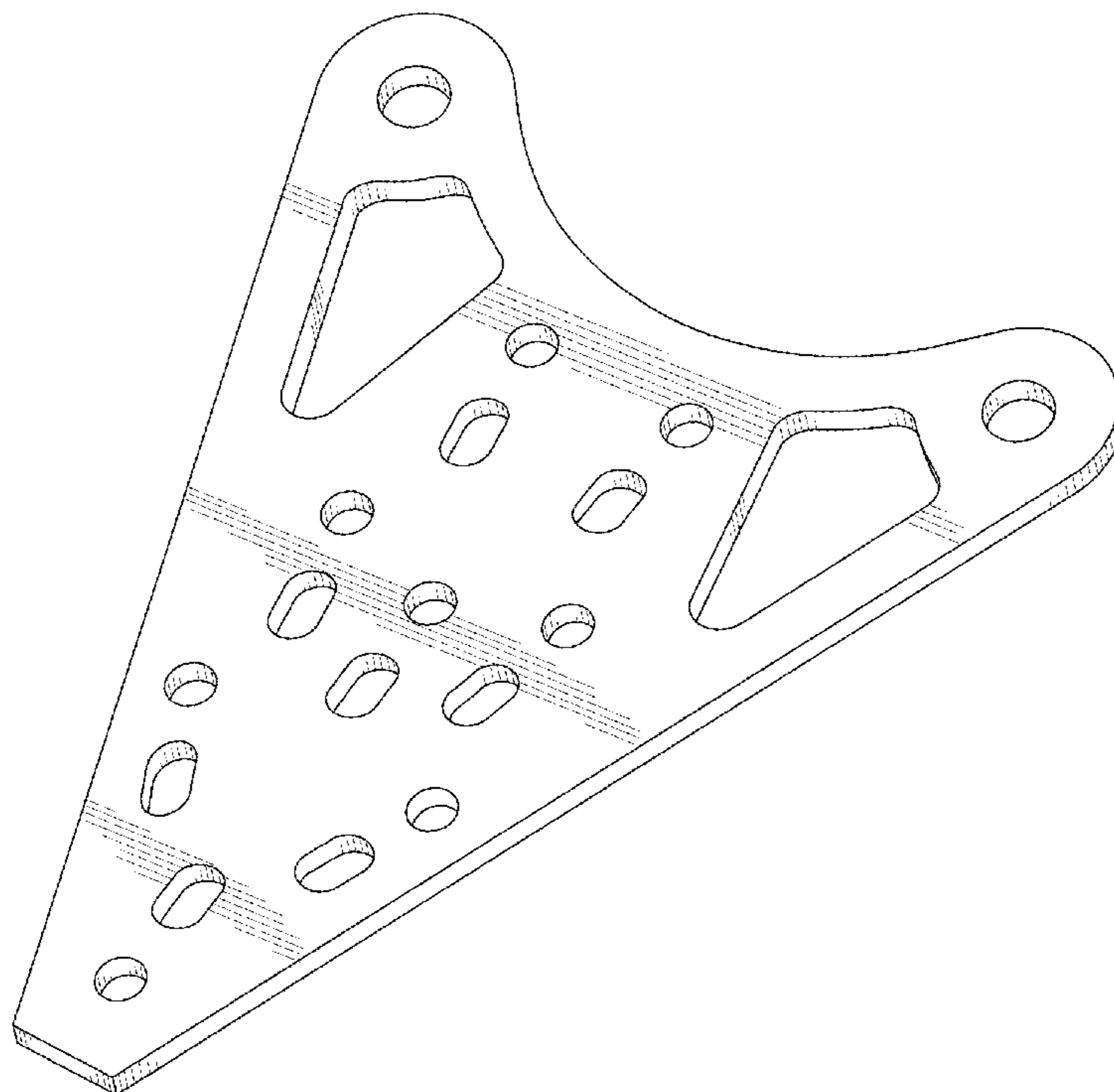
FIG. 4 is a top view thereof.

FIG. 5 is a bottom view thereof.

FIG. 6 is a left side view thereof; and,

FIG. 7 is a right side view thereof.

1 Claim, 4 Drawing Sheets



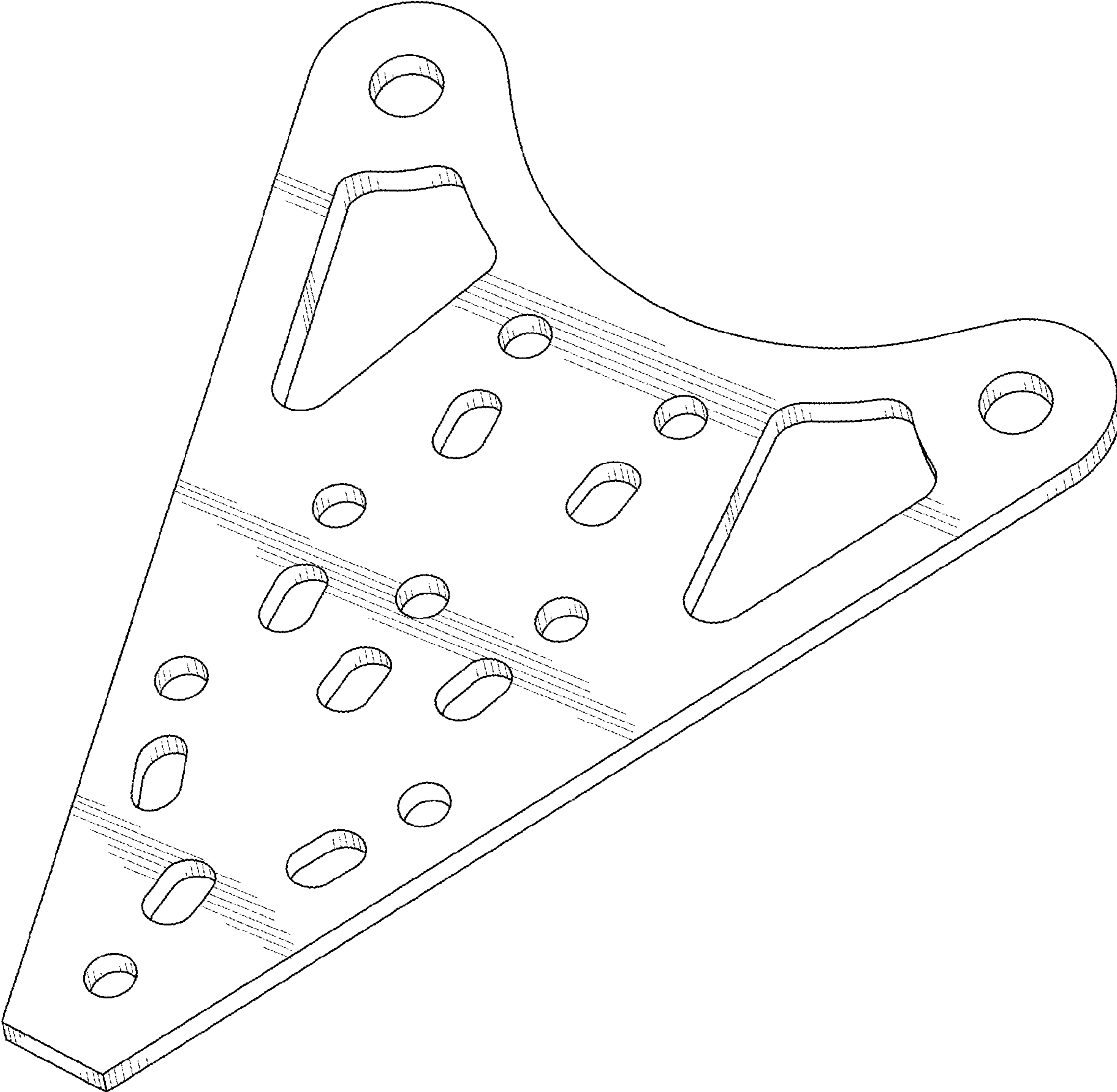


FIG. 1

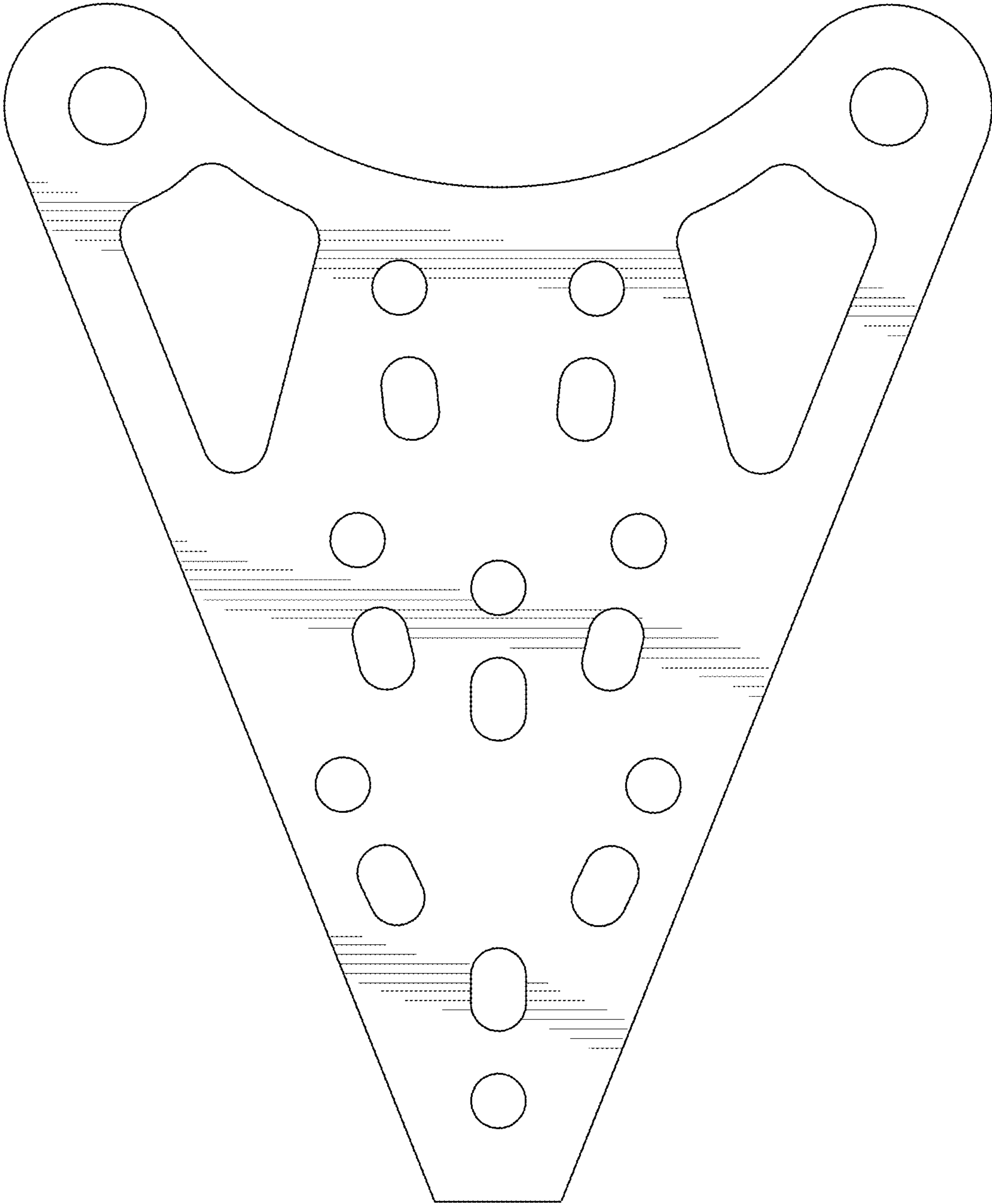


FIG. 2

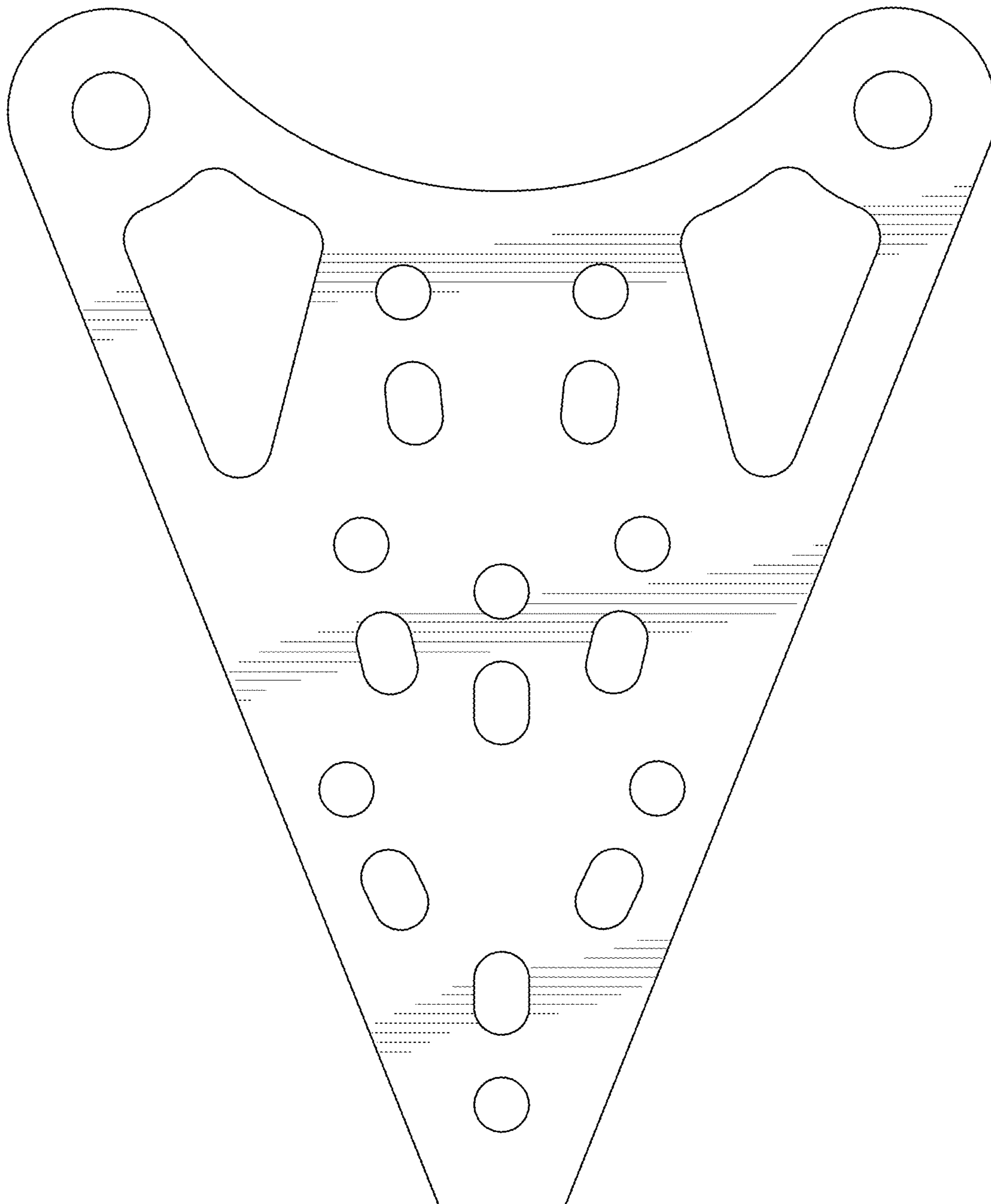


FIG. 3



FIG. 4



FIG. 5



FIG. 6



FIG. 7