



US00D904305S

(12) **United States Design Patent**
Alexandrov et al.

(10) **Patent No.:** **US D904,305 S**
(45) **Date of Patent:** **** Dec. 8, 2020**

(54) **ELECTRODE CAGE FOR A PLASMA
BLASTING PROBE**

(71) Applicant: **Petram Technologies, Inc.**, Cambridge,
MA (US)

(72) Inventors: **Igor S. Alexandrov**, New York, NY
(US); **Frank A. Magnotti**, Millburn, NJ
(US)

(73) Assignee: **Petram Technologies, Inc.**, Jersey City,
NJ (US)

(**) Term: **15 Years**

(21) Appl. No.: **29/681,417**

(22) Filed: **Feb. 25, 2019**

(51) **LOC (12) Cl.** **13-03**

(52) **U.S. Cl.**
USPC **D13/121; D15/144.1; D13/184**

(58) **Field of Classification Search**
USPC D13/182, 180, 184, 199, 101, 121;
D15/144, 144.1, 144.2; 166/63, 299, 249;
299/14, 16; 175/16; 102/313, 327
CPC .. H01J 19/46; H01J 19/42; H01J 19/54; H01J
2893/0006; E02D 5/36; E21B 7/15; E21B
7/28; H05H 1/2406; H05H 1/24; E21C
37/18; E21C 37/14

See application file for complete search history.

(56) **References Cited**

U.S. PATENT DOCUMENTS

2,917,812	A *	12/1959	Wolke	H01J 19/46 445/67
4,074,758	A	2/1978	Scott		
4,169,503	A	10/1979	Scott		
4,345,650	A	8/1982	Wesley		
4,479,680	A	10/1984	Wesley		
4,997,044	A	3/1991	Stack		

5,425,570	A *	6/1995	Wilkinson	E21B 7/15 166/299
5,482,357	A *	1/1996	Wint	E21C 37/18 299/14
6,227,293	B1	5/2001	Huffman et al.		
6,283,555	B1 *	9/2001	Arai	F42D 3/00 299/14
6,457,778	B1 *	10/2002	Chung	E21C 37/18 175/16
6,499,536	B1	12/2002	Ellingsen		
D557,226	S *	12/2007	Uchino	D13/182
8,628,146	B2	1/2014	Baltazar-Lopez		
D699,199	S *	2/2014	Kuwabara	D13/182
D699,200	S *	2/2014	Nagakubo	D13/182
9,181,788	B2 *	11/2015	Ageev	E21B 43/24
D749,656	S *	2/2016	Stephens	D15/144
D750,144	S *	2/2016	Stephens	D15/144

(Continued)

FOREIGN PATENT DOCUMENTS

RU	2144980	C1	1/2000
RU	2184221	C1	6/2002

(Continued)

Primary Examiner — Elizabeth J Oswecki

(74) *Attorney, Agent, or Firm* — Richard A. Baker, Jr.

(57) **CLAIM**

The ornamental design for an electrode cage for a plasma blasting probe, as shown and described.

DESCRIPTION

FIG. 1 is a perspective view of an electrode cage for a plasma blasting probe showing our new design.

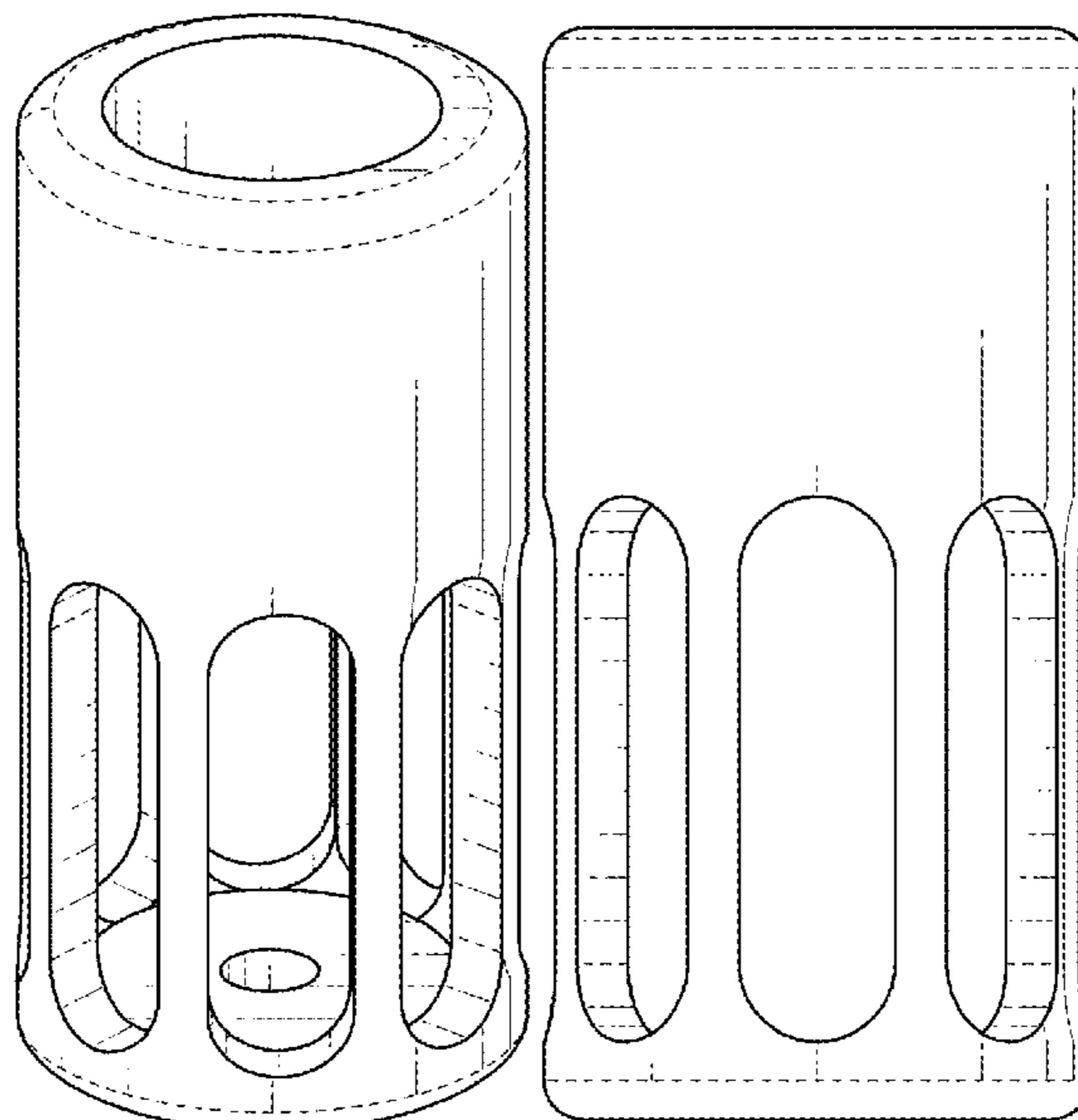
FIG. 2 is a side view thereof;

FIG. 3 is a bottom view thereof; and,

FIG. 4 is a top view thereof.

The broken lines shown in the drawings represent portions of the electrode cage for plasma blasting probe that form no part of the claimed design.

1 Claim, 2 Drawing Sheets



(56)

References Cited

U.S. PATENT DOCUMENTS

D750,145	S *	2/2016	Stephens	D15/144
D770,992	S *	11/2016	Tauchi	D13/182
9,896,917	B2	2/2018	Sizonenko et al.	
D827,592	S *	9/2018	Ichino	D13/182
D840,364	S *	2/2019	Ichino	D13/182
10,577,767	B2 *	3/2020	Magnotti	E21B 7/15
10,760,239	B2 *	9/2020	Magnotti	H05H 1/2406
2001/0011590	A1	8/2001	Thomas	
2010/0270038	A1	10/2010	Looney et al.	
2014/0027110	A1	1/2014	Ageev et al.	
2014/0251599	A1	9/2014	Linetskiy	

FOREIGN PATENT DOCUMENTS

RU	2194846	C2	12/2002
RU	2199659	C1	2/2003
RU	2213860	C2	10/2003
RU	2261986	C1	10/2005
RU	2272128	C1	3/2006
RU	2282021	C1	8/2006
RU	2283950	C2	9/2006
RU	2295031	C2	3/2007
RU	2298641	C2	5/2007
RU	2298642	C2	5/2007
RU	2314412	C1	1/2008
RU	2317409	C1	2/2008
RU	2327027	C2	6/2008
RU	2007101698	A	7/2008
RU	2335658	C2	10/2008
RU	2520672	C2	4/2014

* cited by examiner

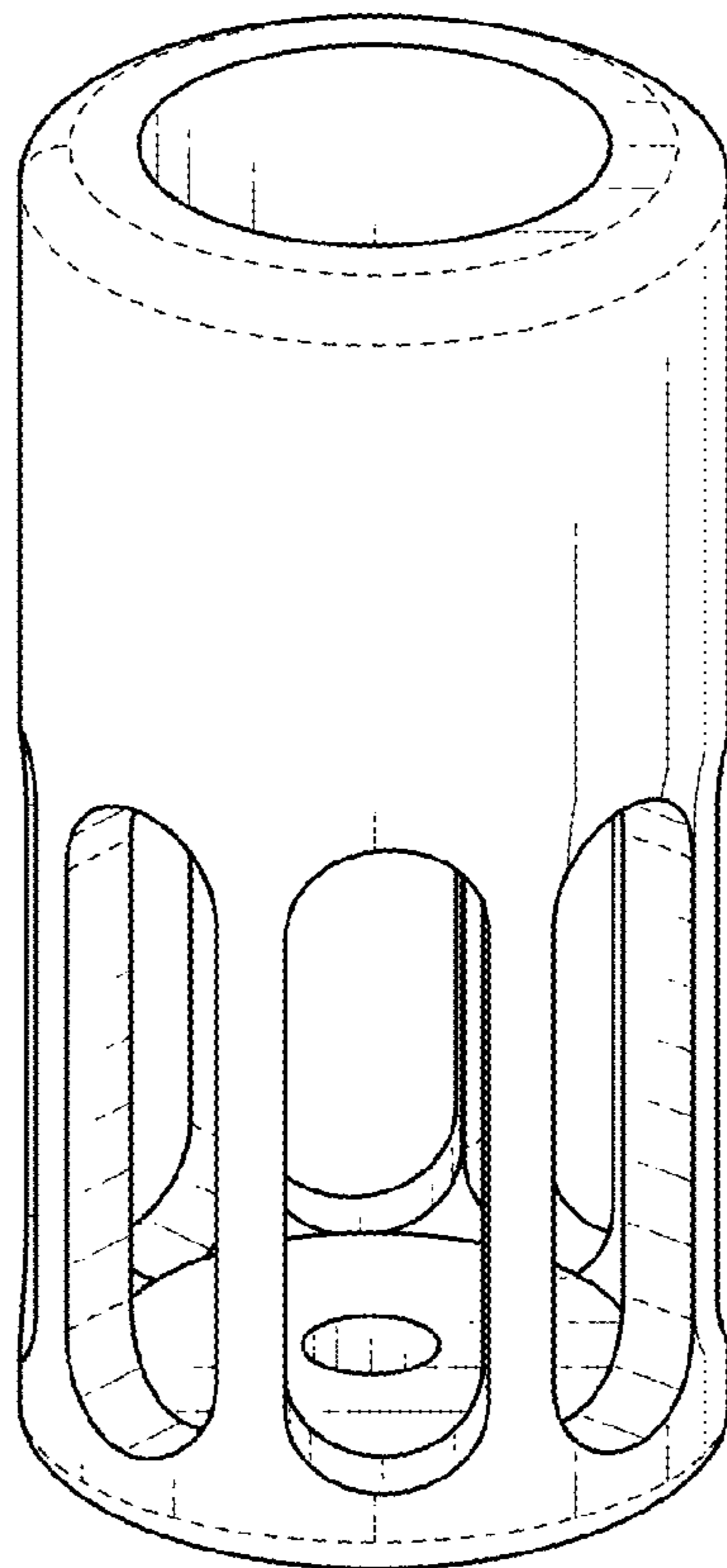


FIG. 1

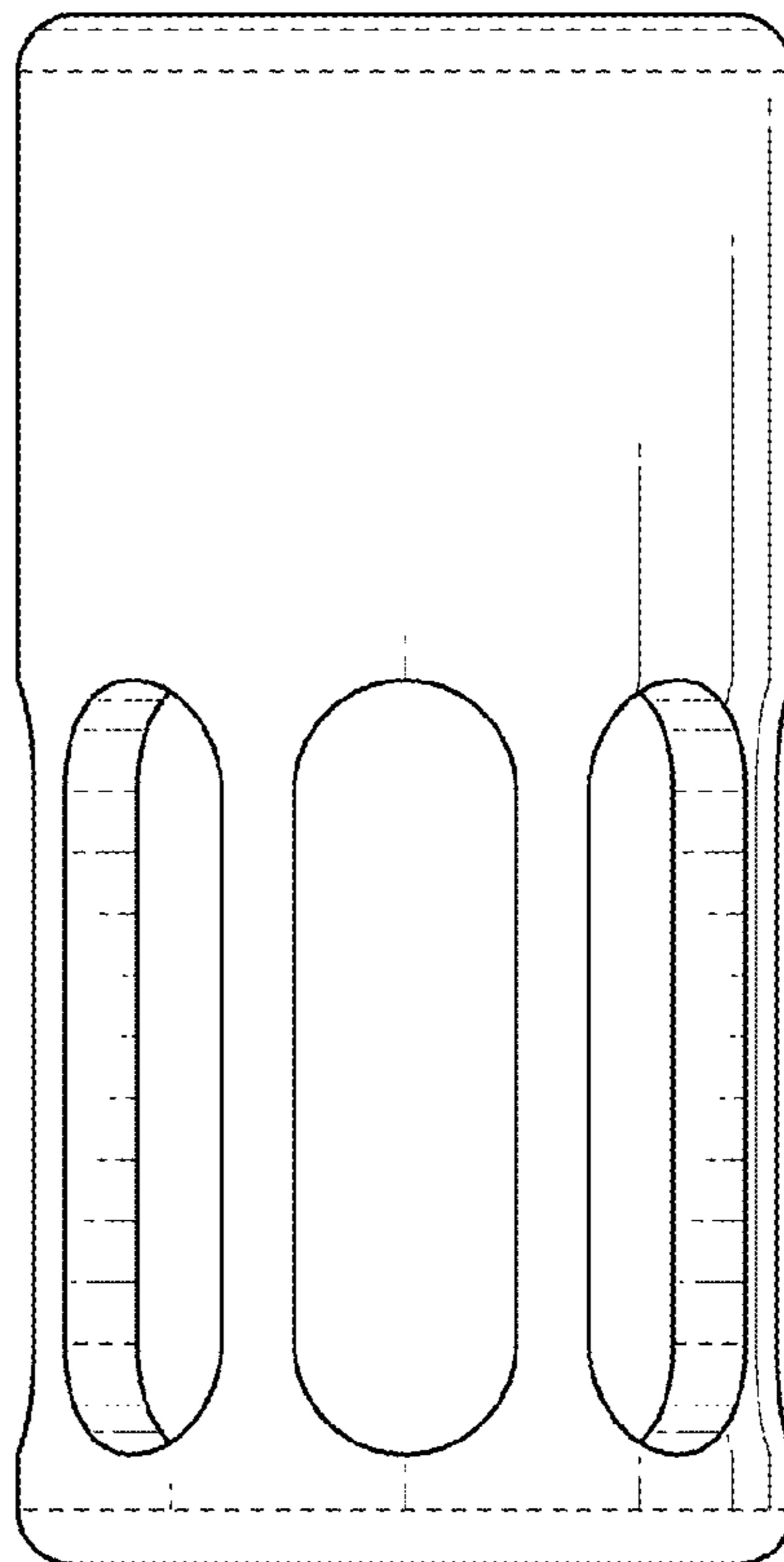


FIG. 2

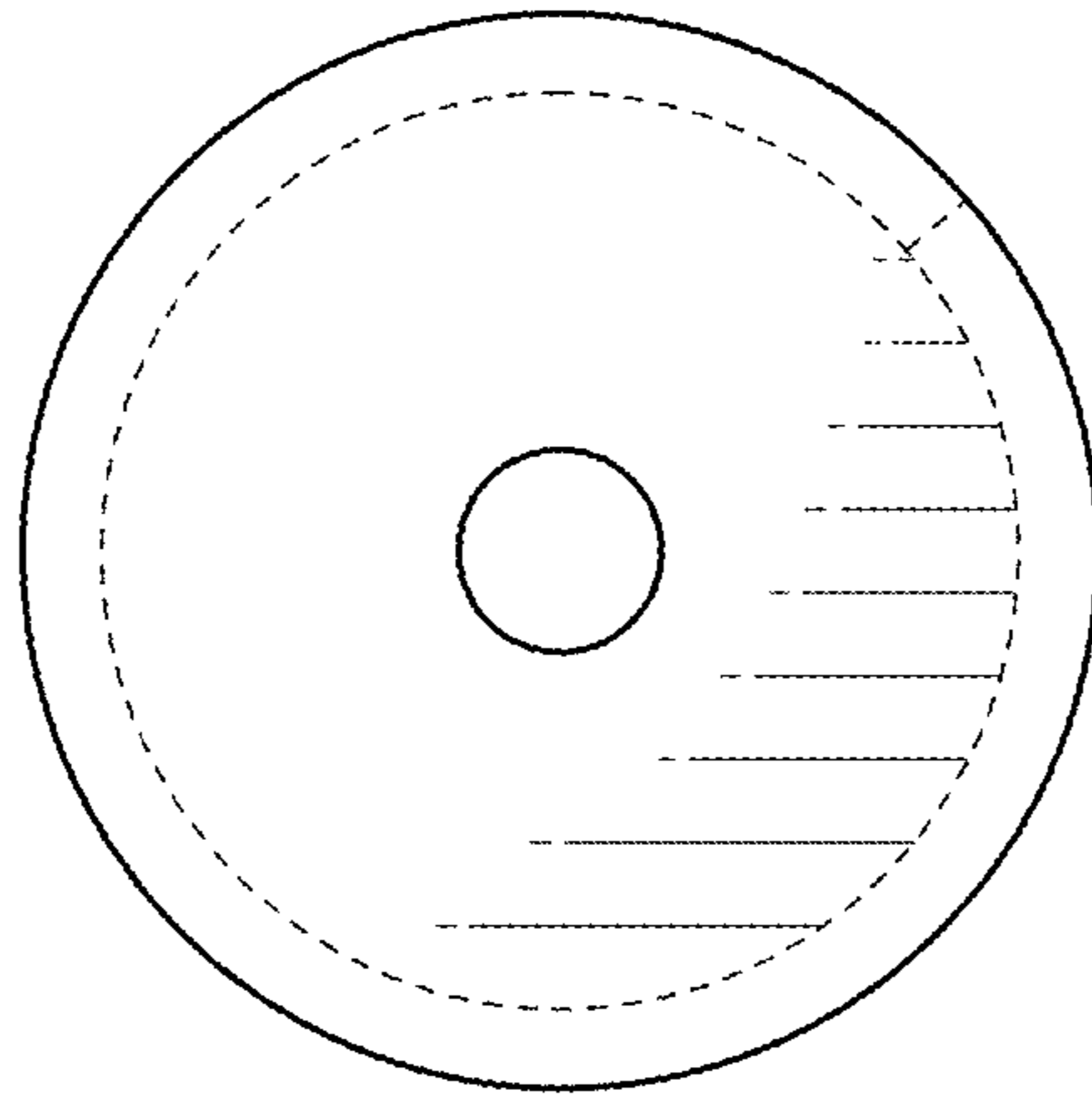


FIG. 3

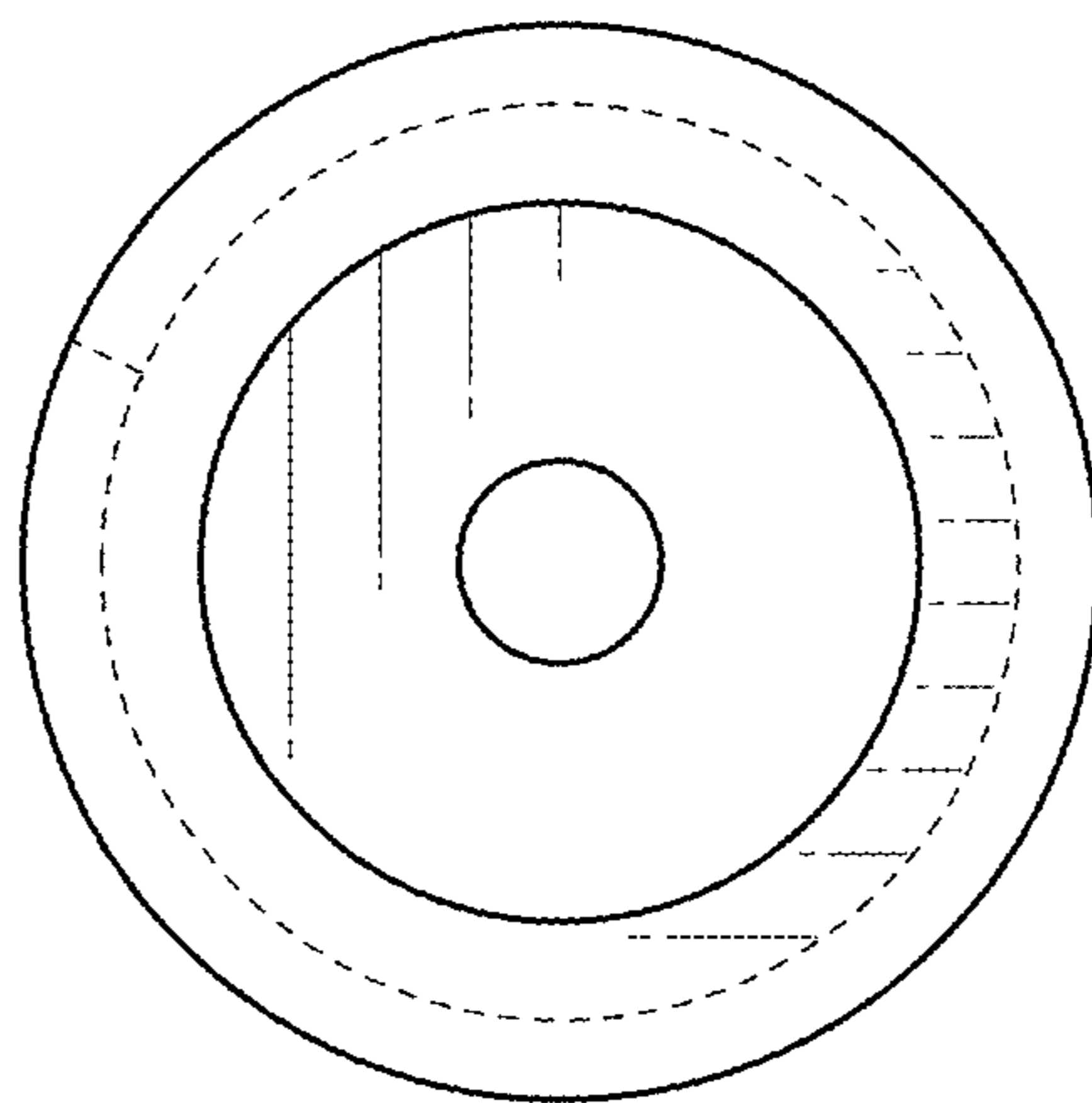


FIG. 4