



US00D904303S

(12) **United States Design Patent**  
**Xu**

(10) **Patent No.:** **US D904,303 S**

(45) **Date of Patent:** **\*\* Dec. 8, 2020**

(54) **STIRLING ENGINE**

(71) Applicant: **Ying Xu**, Wuhan (CN)

(72) Inventor: **Ying Xu**, Wuhan (CN)

(\*\*) Term: **15 Years**

(21) Appl. No.: **29/696,742**

(22) Filed: **Jul. 1, 2019**

(51) **LOC (12) Cl.** ..... **13-01**

(52) **U.S. Cl.**  
USPC ..... **D13/114; D21/528**

(58) **Field of Classification Search**  
USPC ..... D13/101, 110, 112, 114, 115, 118, 122,  
D13/180, 184, 199; D15/1, 5, 199;  
D21/528  
CPC . F02G 1/04; F02G 1/043; F02G 1/044; F02G  
1/057; F01K 23/06; F01K 23/10; F01B  
29/10; F28D 7/06  
See application file for complete search history.

(56) **References Cited**

**U.S. PATENT DOCUMENTS**

D332,936 S \* 2/1993 Lawrence ..... D13/112  
D383,509 S \* 9/1997 Karasaw ..... 446/471

D403,722 S \* 1/1999 Zimmer ..... D13/112  
D571,291 S \* 6/2008 Jabaji ..... D13/112  
D578,064 S \* 10/2008 Nimberger ..... D13/114  
D735,135 S \* 7/2015 Todd ..... D13/112  
9,790,891 B2 \* 10/2017 Moore, II ..... F01K 23/10

**OTHER PUBLICATIONS**

<https://www.youtube.com/watch?v=vGIDsFAOWXc> Stirling Engines—the power of the future? 1,642,032 views•Nov. 28, 2016 (Year: 2016)\*

\* cited by examiner

*Primary Examiner* — Derrick E Holland

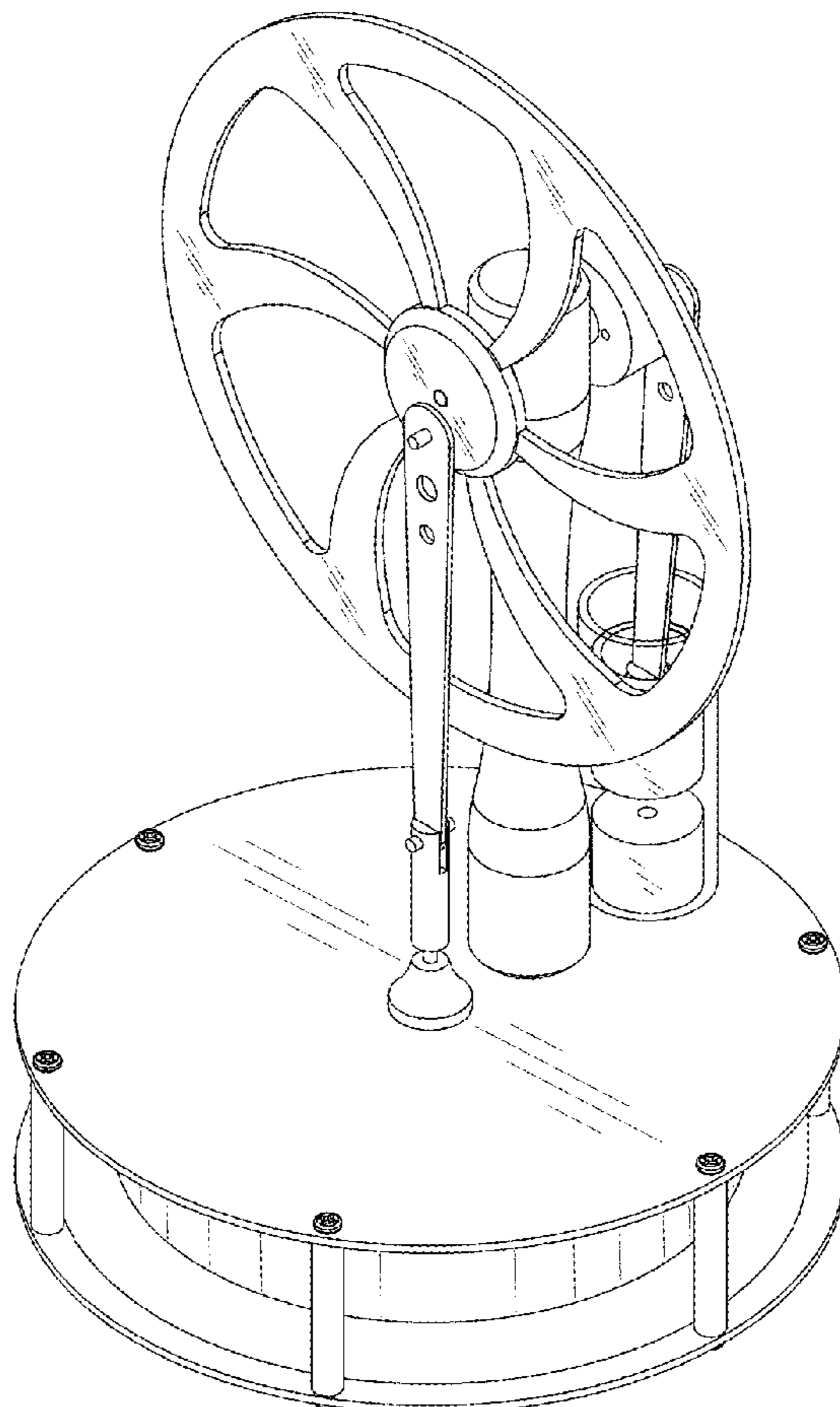
(57) **CLAIM**

The ornamental design for a stirling engine, as shown and described.

**DESCRIPTION**

FIG. 1 is a top, front perspective view of a stirling engine showing my new design;  
FIG. 2 is a bottom, rear perspective view thereof;  
FIG. 3 is a front elevational view thereof;  
FIG. 4 is a rear elevational view thereof;  
FIG. 5 is a left side elevational view thereof;  
FIG. 6 is a right side elevational view thereof;  
FIG. 7 is a top plan view thereof; and,  
FIG. 8 is a bottom plan view thereof.

**1 Claim, 8 Drawing Sheets**



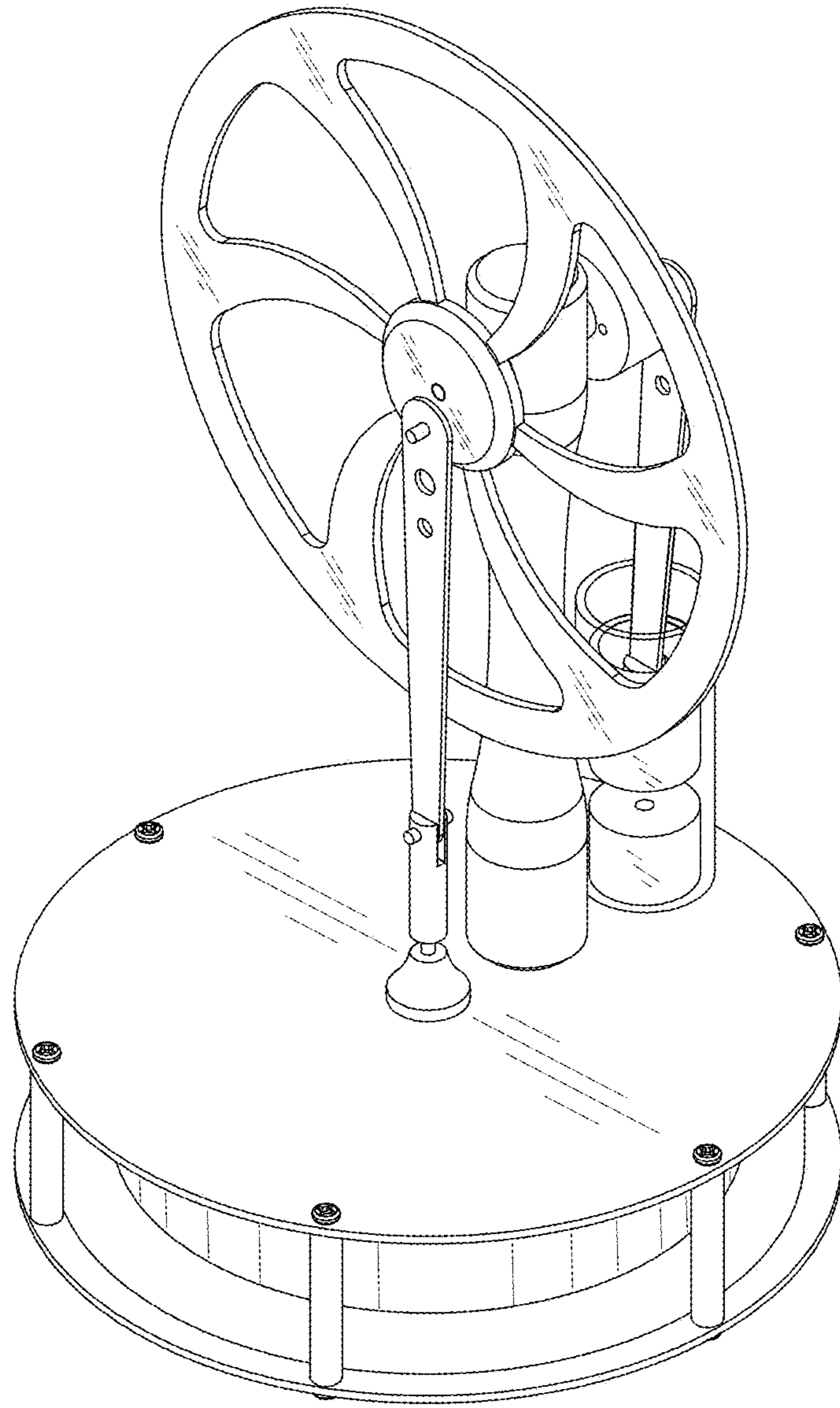


FIG. 1

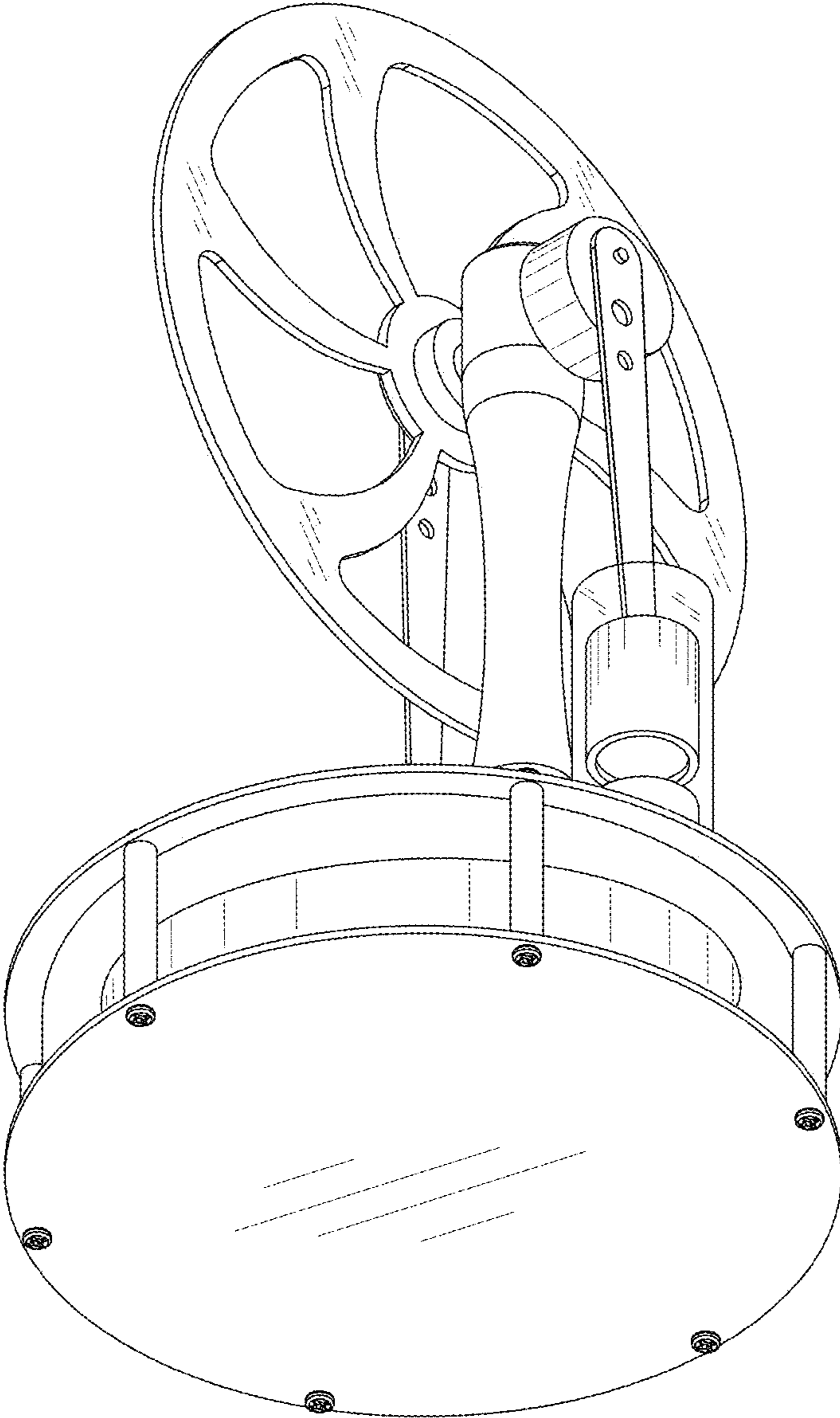


FIG.2

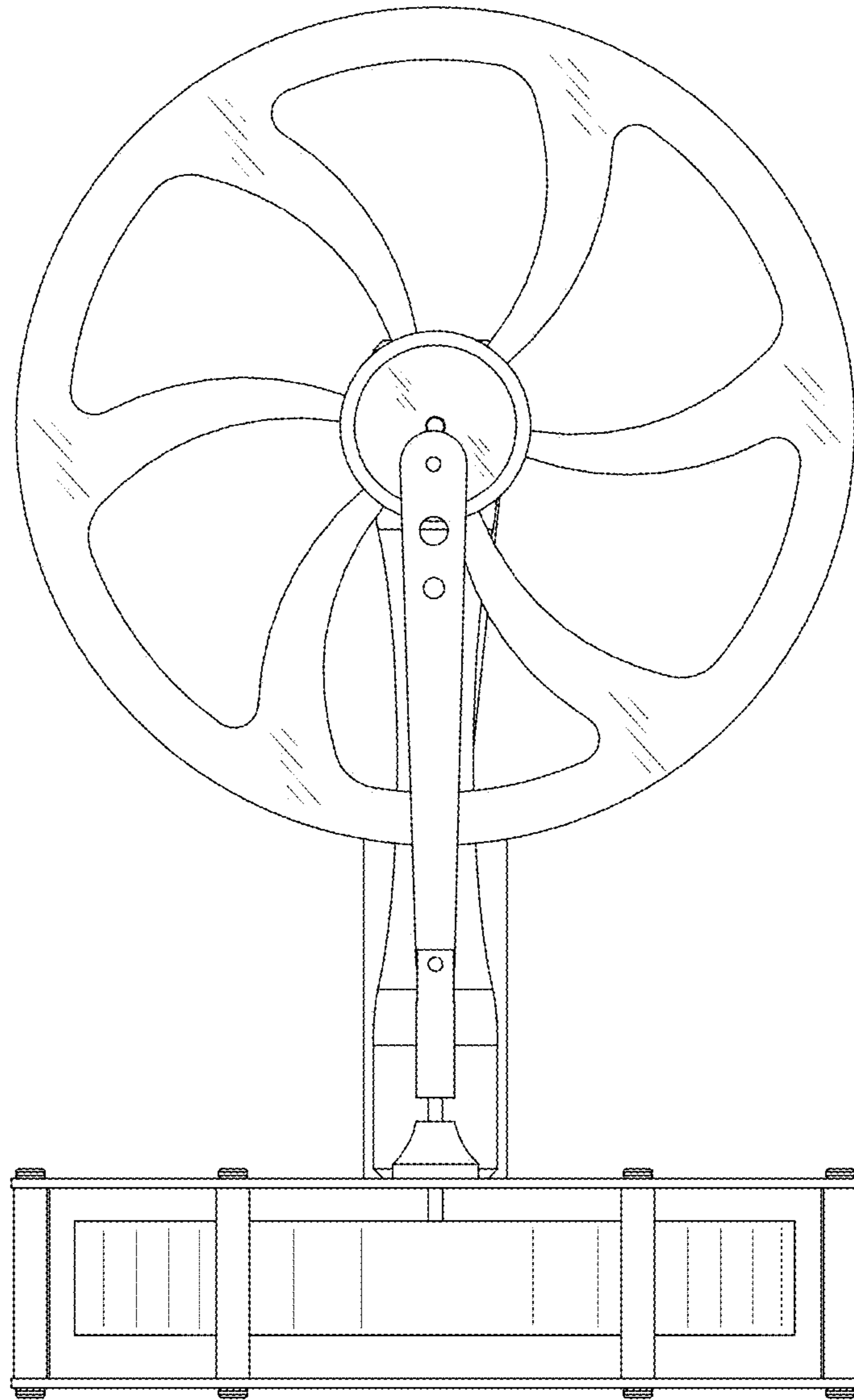


FIG.3

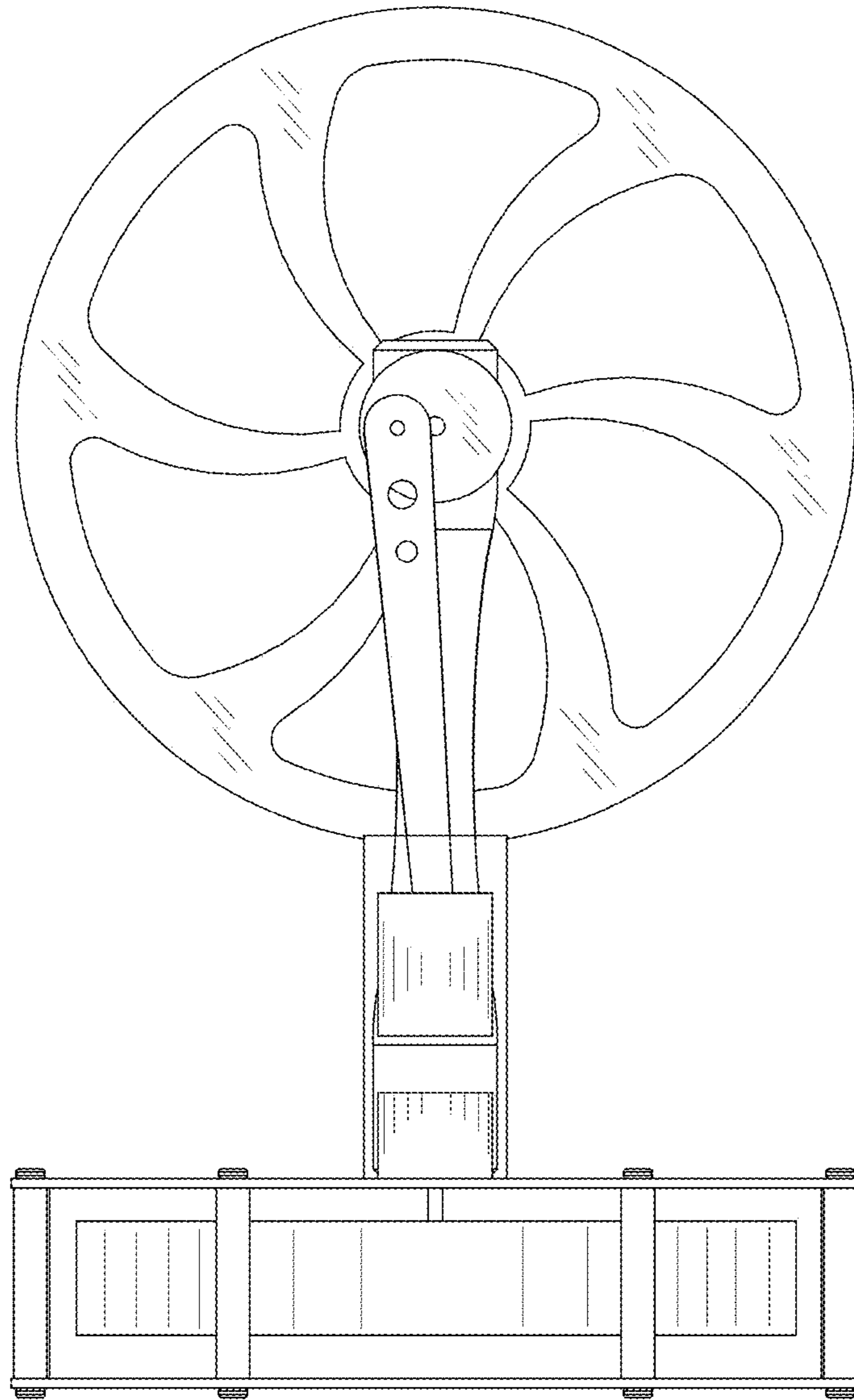


FIG.4

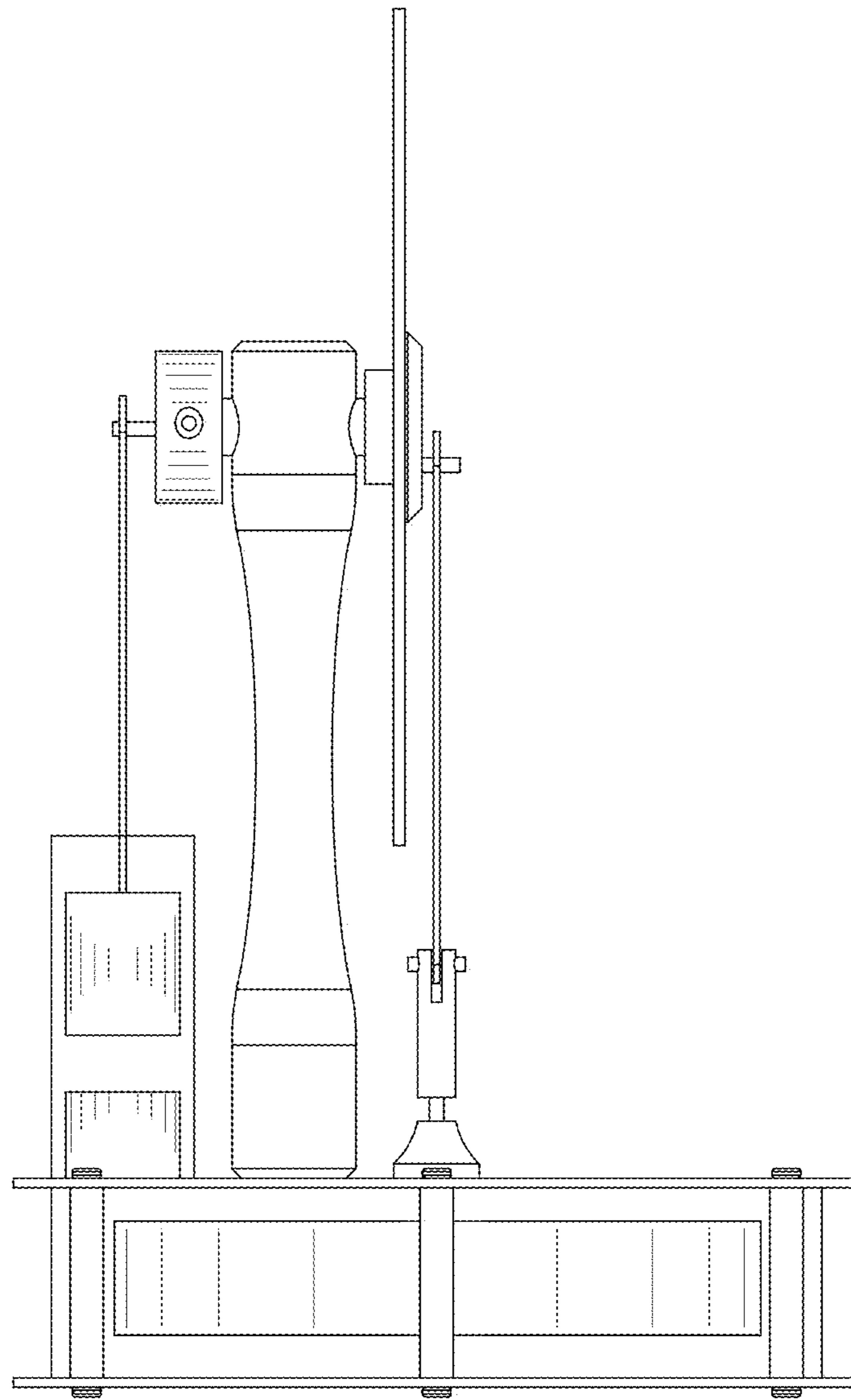


FIG.5

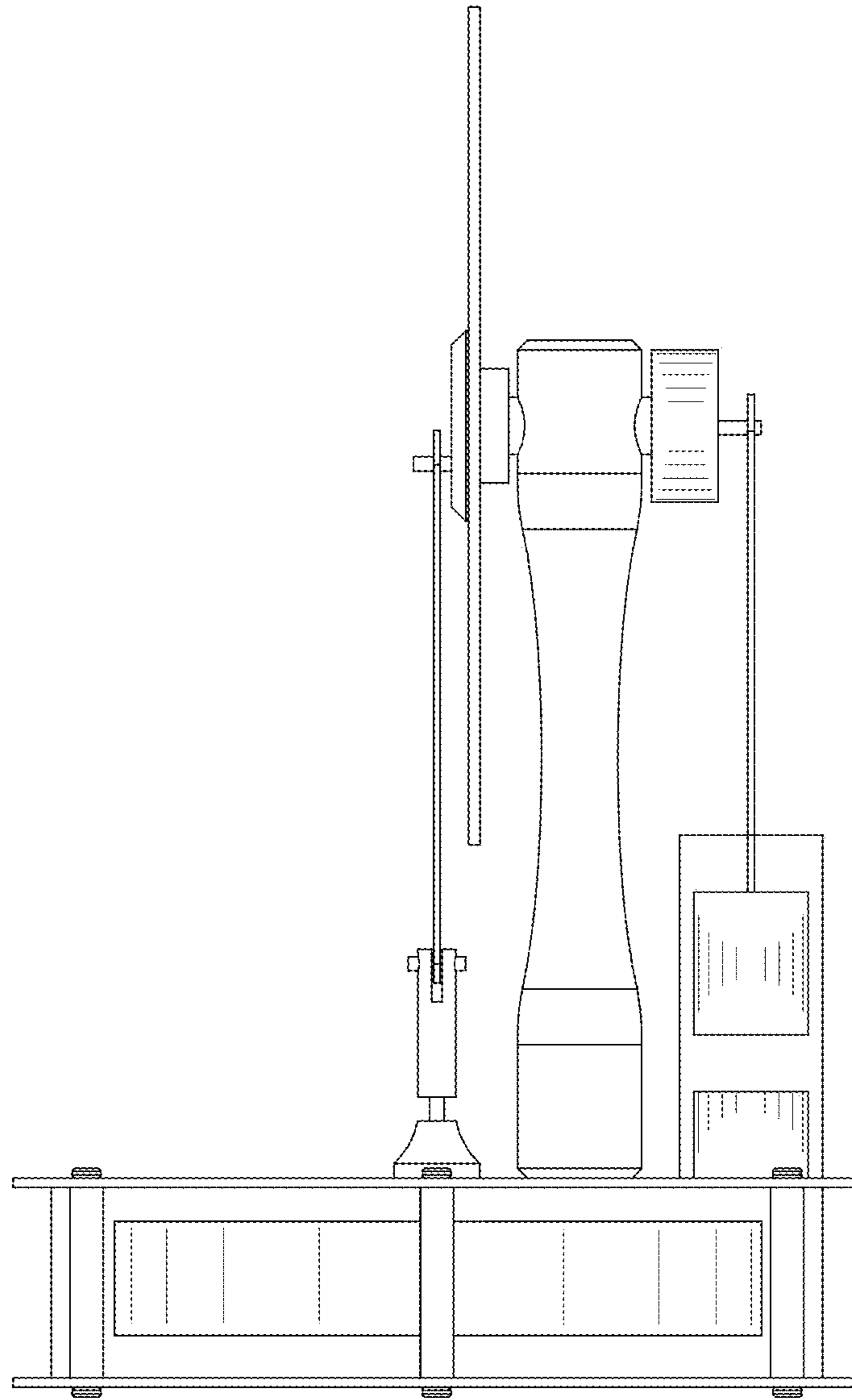


FIG.6

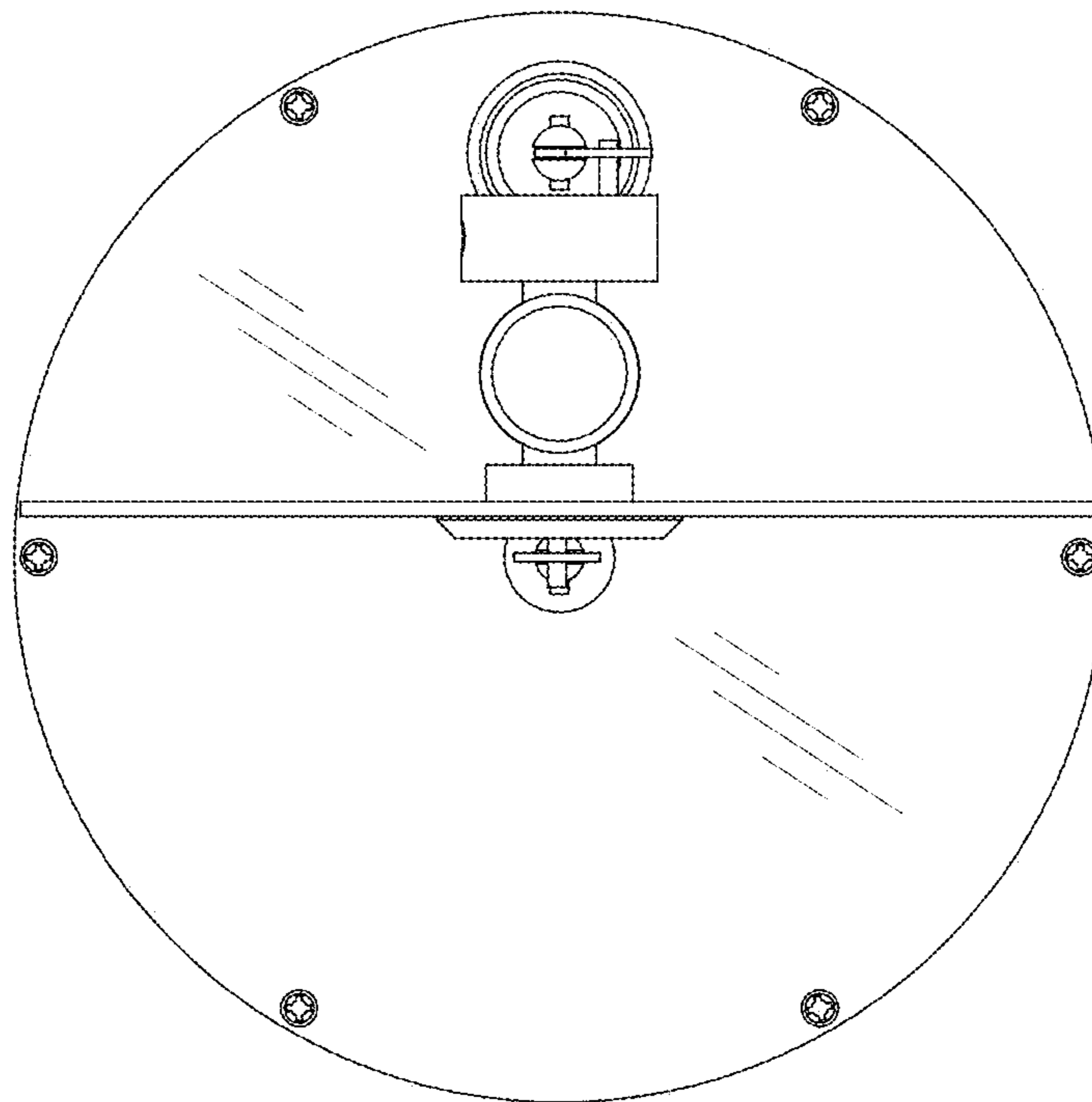


FIG.7



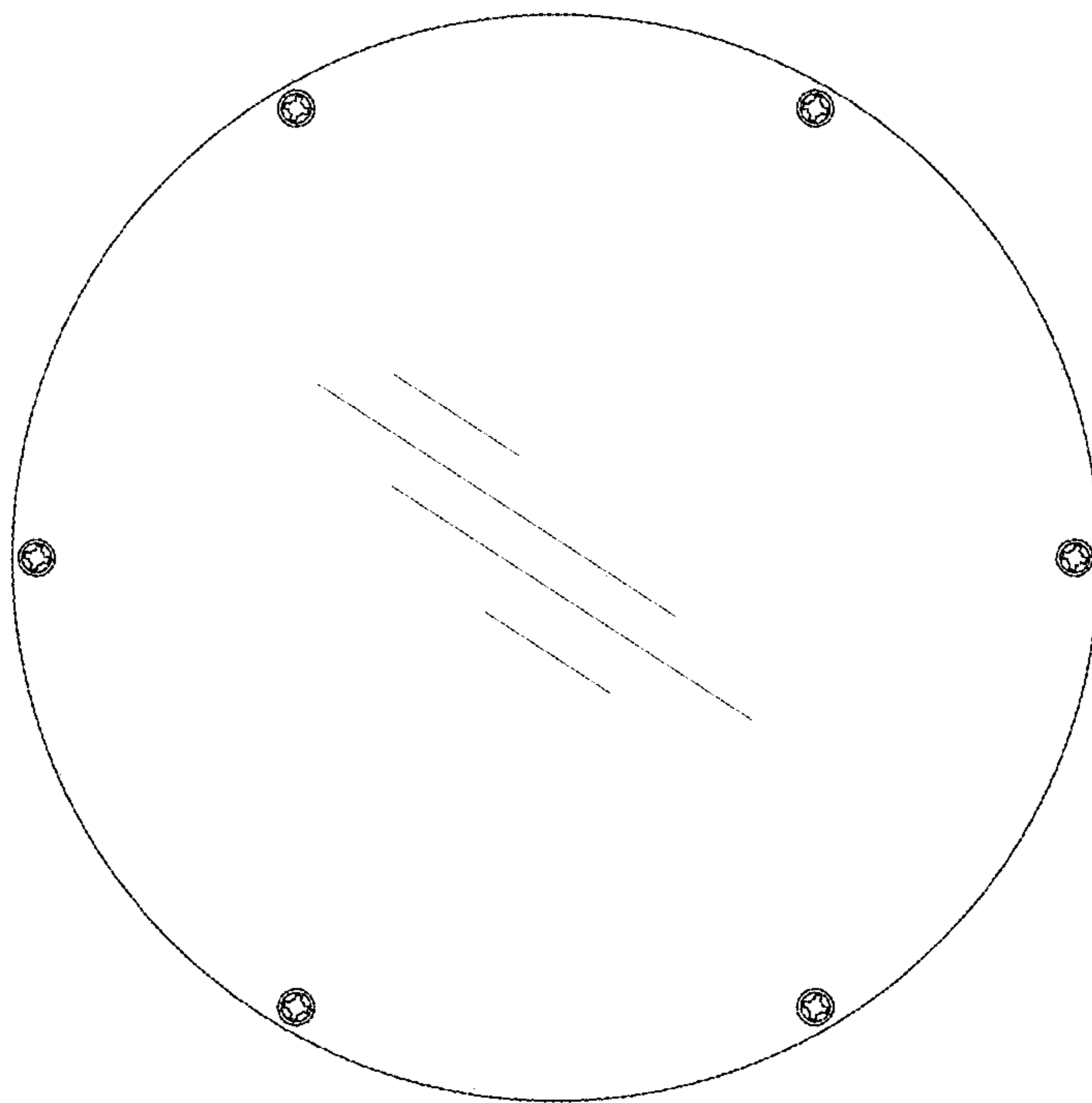


FIG.8