



US00D904302S

(12) **United States Design Patent**
Bolton

(10) **Patent No.:** **US D904,302 S**
(45) **Date of Patent:** **** Dec. 8, 2020**

(54) **PORTABLE CHARGING STATION FOR PORTABLE COMPUTING DEVICES**

(71) Applicant: **Carl William Bolton**, Santa Barbara, CA (US)

(72) Inventor: **Carl William Bolton**, Santa Barbara, CA (US)

(**) Term: **15 Years**

(21) Appl. No.: **29/733,801**

(22) Filed: **May 6, 2020**

(51) **LOC (12) Cl.** **13-02**

(52) **U.S. Cl.**
USPC **D13/110**

(58) **Field of Classification Search**
USPC D13/110, 112, 101, 102, 103, 107, 108, D13/118, 119, 123, 184, 199; D14/432, D14/433, 434

(Continued)

(56) **References Cited**

U.S. PATENT DOCUMENTS

2,991,327 A * 7/1961 Bellek H02G 3/18
174/53

D220,435 S * 4/1971 Rakocy D13/108
(Continued)

Primary Examiner — Derrick E Holland

(74) *Attorney, Agent, or Firm* — Eric Kelly

(57) **CLAIM**

The ornamental design for a portable charging station for portable computing devices, as shown and described.

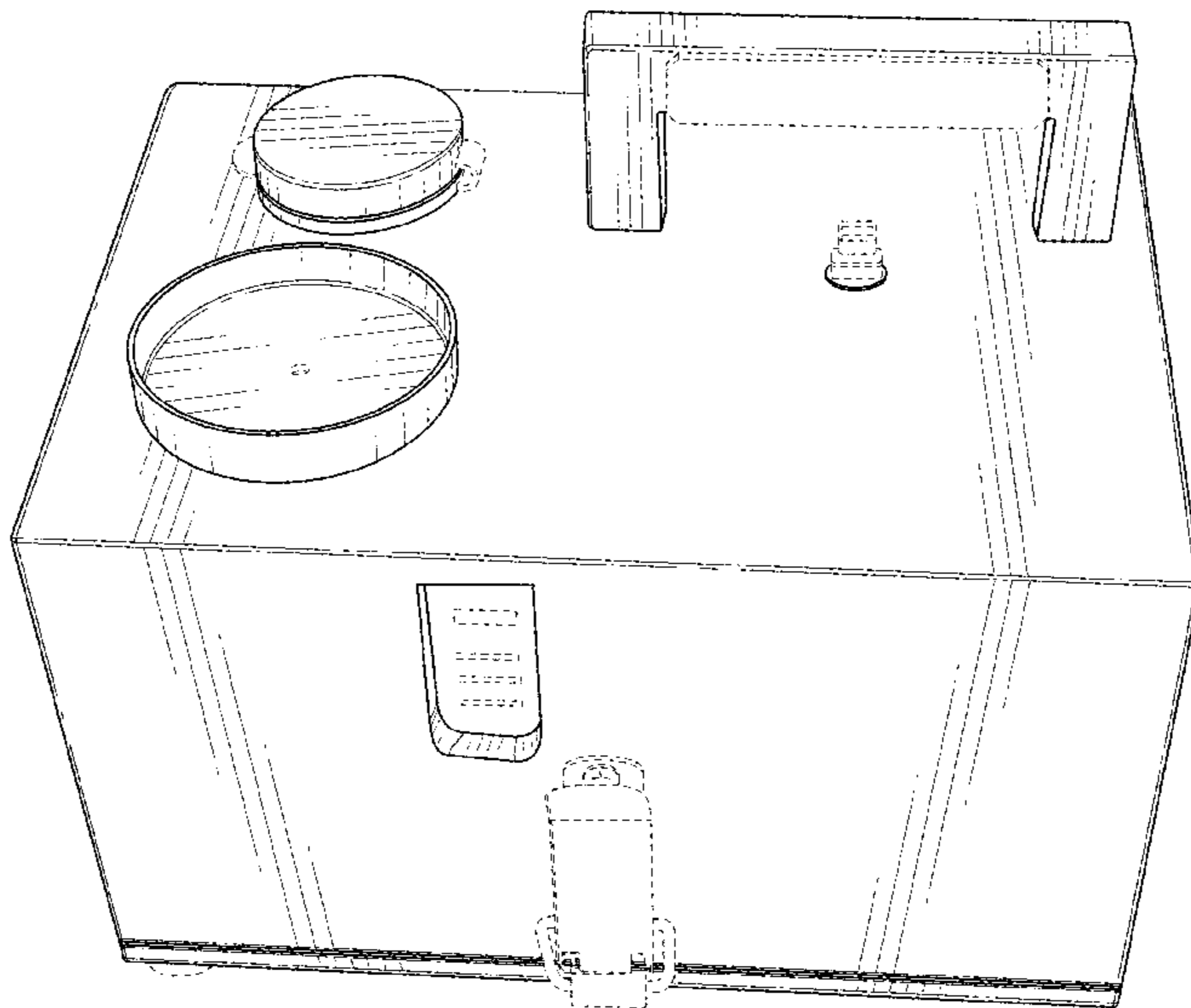
DESCRIPTION

FIG. 1 illustrates a top front perspective view of a portable charging station for portable computing devices, according to a first configuration;

FIG. 2 illustrates a front view thereof;
FIG. 3 illustrates a back (rear) view thereof;
FIG. 4 illustrates a top view thereof;
FIG. 5 illustrates a bottom view thereof;
FIG. 6 illustrates a left-side view thereof;
FIG. 7 illustrates a right-side view thereof;
FIG. 8 illustrates a different top front perspective view thereof;
FIG. 9 illustrates a top back (rear) perspective view thereof;
FIG. 10 illustrates a top and left-side perspective view thereof;
FIG. 11 illustrates a bottom and a front perspective view thereof;
FIG. 12 illustrates a front view of the portable charging station for portable computing devices, according to a second configuration;
FIG. 13 illustrates a back (rear) view of the portable charging station for portable computing devices, according to the second configuration;
FIG. 14 illustrates a top view of the portable charging station for portable computing devices, according to the second configuration;
FIG. 15 illustrates a left-side view of the portable charging station for portable computing devices, according to the second configuration;
FIG. 16 illustrates a right-side view of the portable charging station for portable computing devices, according to the second configuration;
FIG. 17 illustrates a close-up detail view of a portion of a top of the portable charging station for portable computing devices, according to the second configuration; and,
FIG. 18 illustrates a top, front, and left-side perspective view of the portable charging station for portable computing devices shown in environmental use.

The broken lines in the figures depict portions of the portable charging station for portable computing devices that form no part of the claimed design; and the smartphone, the light, and the speaker drawn in broken lines in FIG. 18 also form no part of the claimed design.

1 Claim, 18 Drawing Sheets



(58) **Field of Classification Search**

CPC .. H02J 7/00; H02J 7/027; H02J 7/0042; H02J
7/0045; H02J 7/0047; H02J 7/0063; H02J
50/001; H02J 50/10; H02J 50/12; H02M
7/00; H02M 7/003; H01M 2/202; H01M
2/204; H01M 2/1022; H01M 2/342;
H01M 10/425; H05K 5/023

See application file for complete search history.

(56) **References Cited**

U.S. PATENT DOCUMENTS

D528,072	S	*	9/2006	Chen	D13/108
D564,961	S	*	3/2008	Chen	D13/110
D658,581	S	*	5/2012	Reade	D13/110
D664,499	S	*	7/2012	Workman	D13/107
D773,992	S	*	12/2016	Krantz	D13/110
D845,894	S	*	4/2019	Clark	D13/108
D852,135	S	*	6/2019	Mei	D13/108
D872,692	S	*	1/2020	Li	D13/108
2012/0025766	A1	*	2/2012	Reade	H05K 5/023 320/110

* cited by examiner

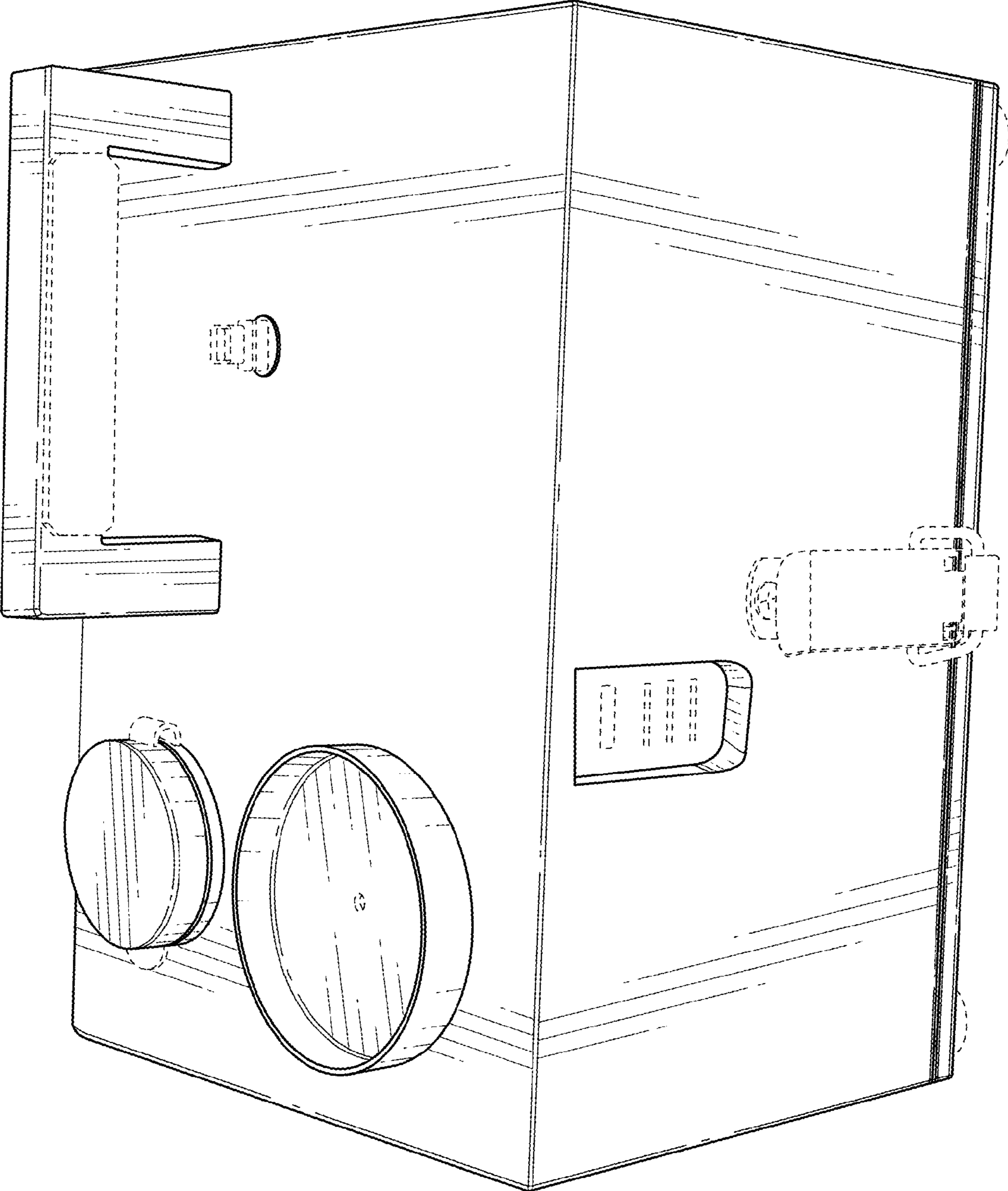


FIG. 1

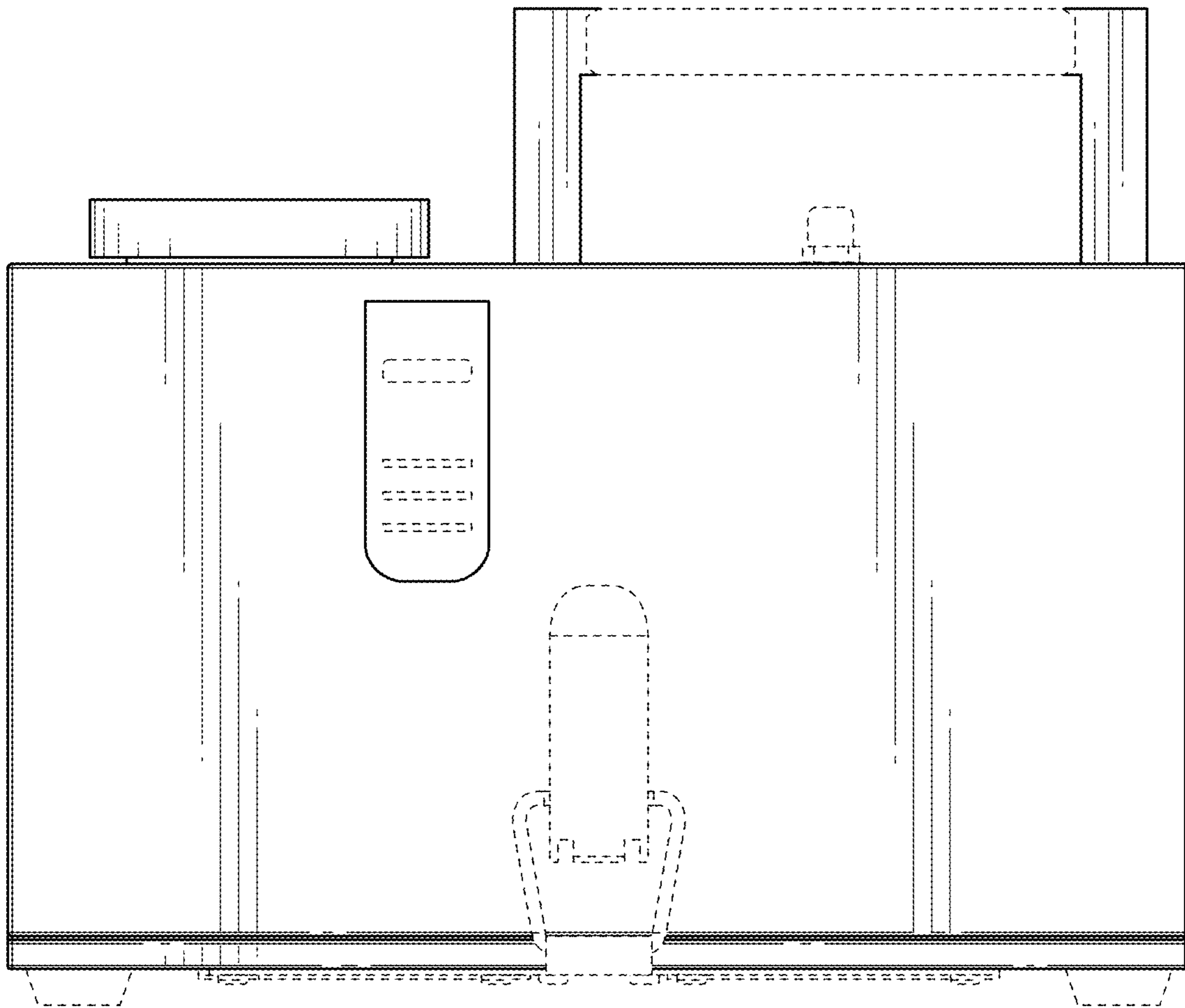


FIG. 2

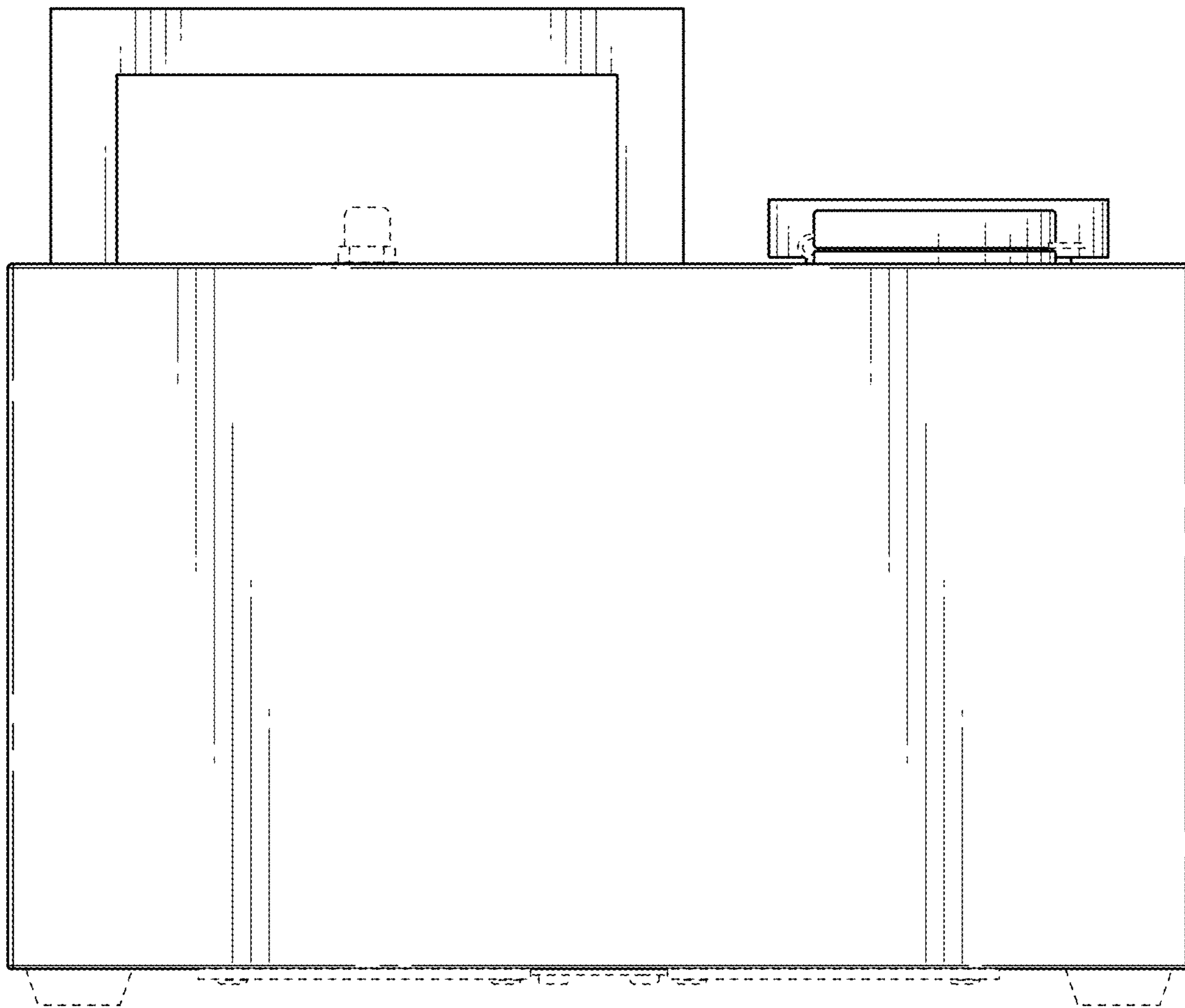


FIG. 3

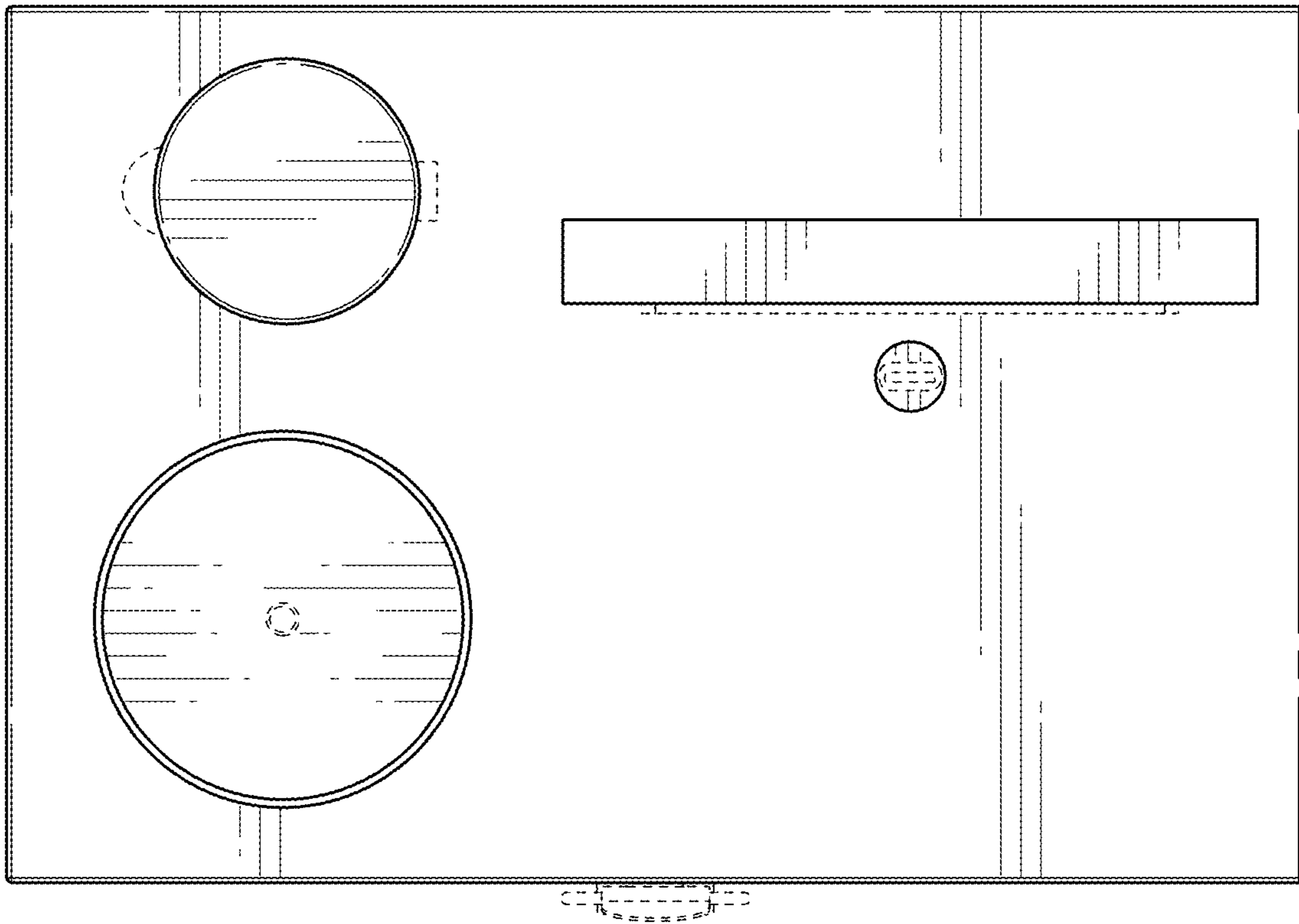


FIG. 4

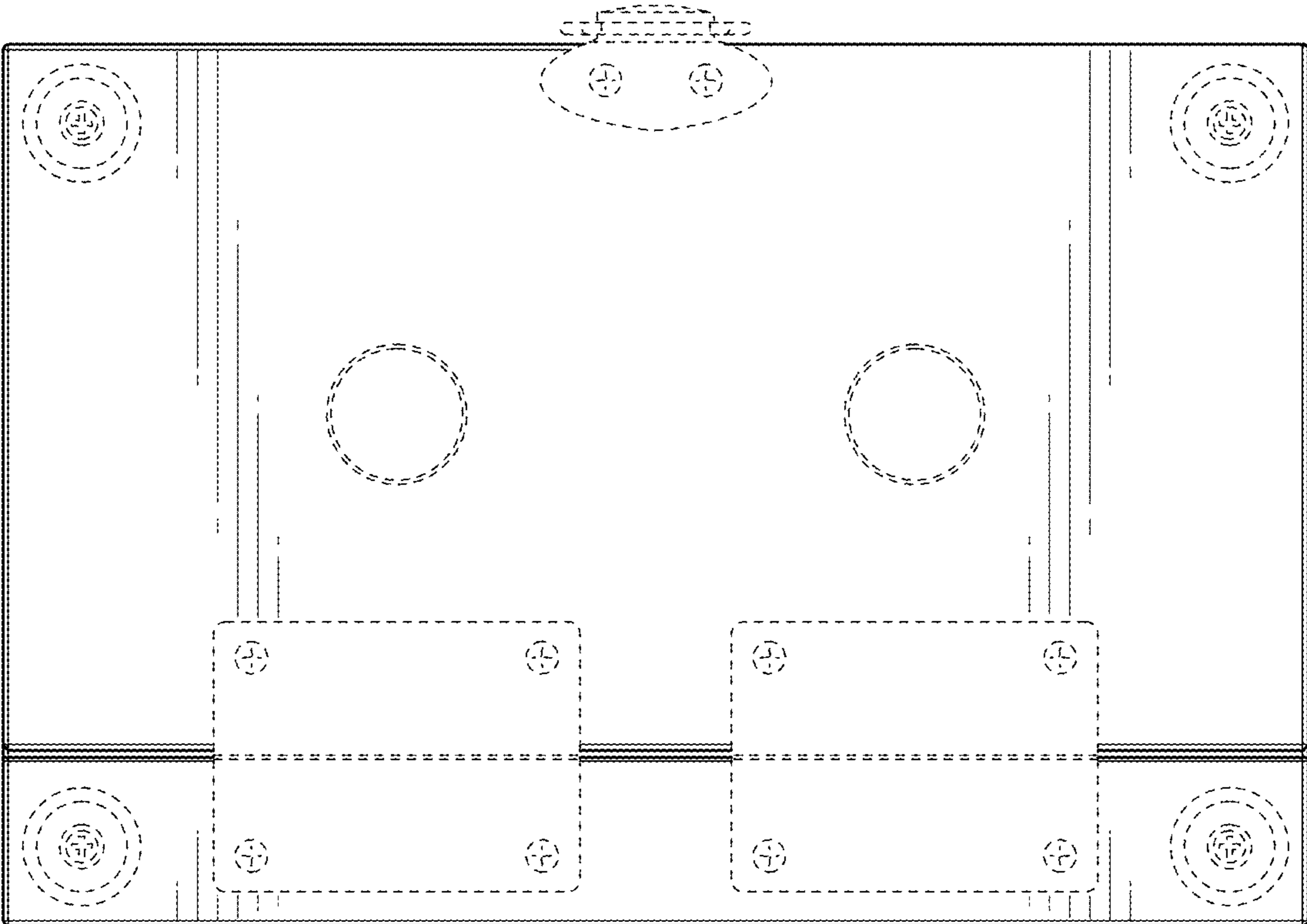


FIG. 5

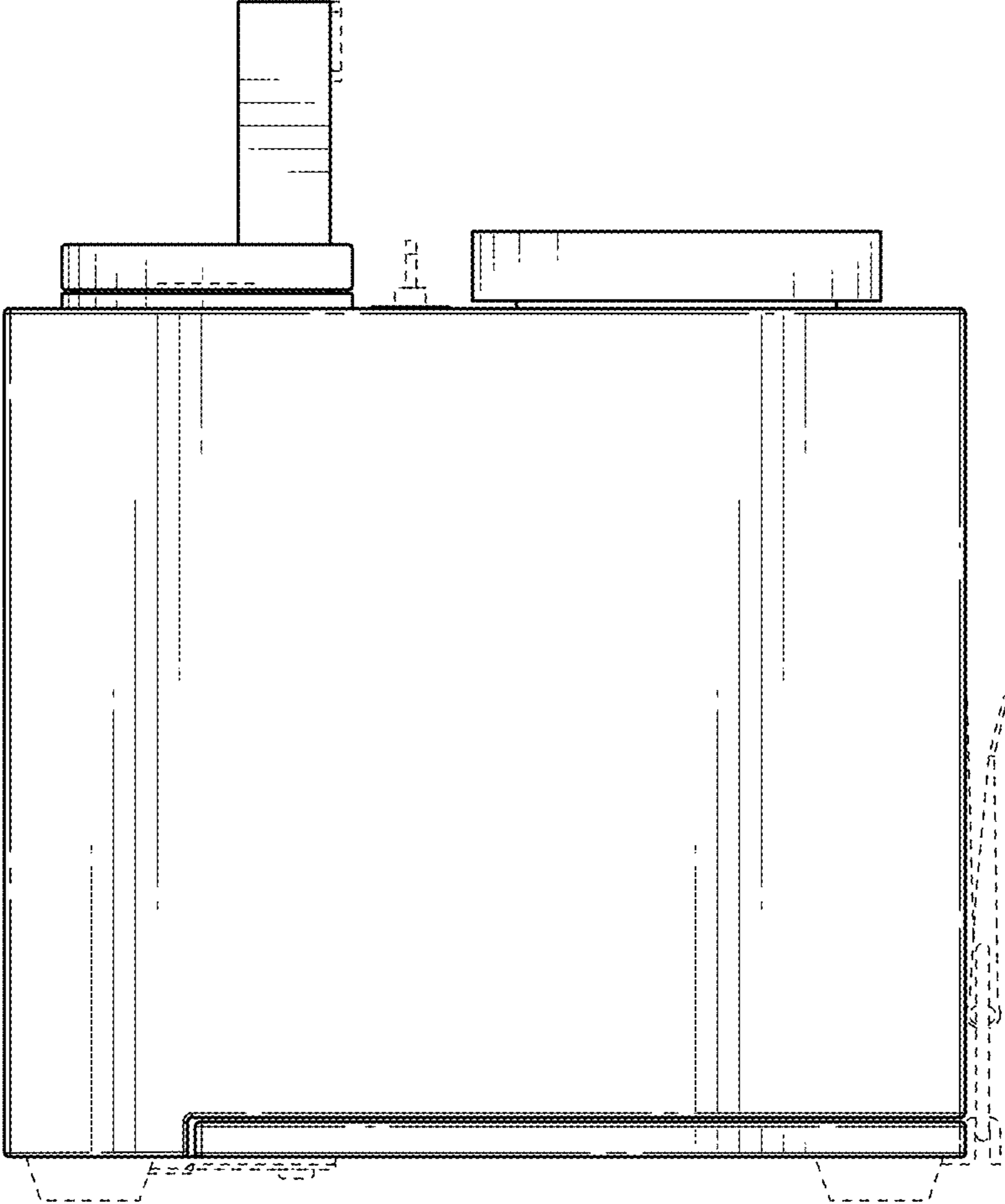


FIG. 6

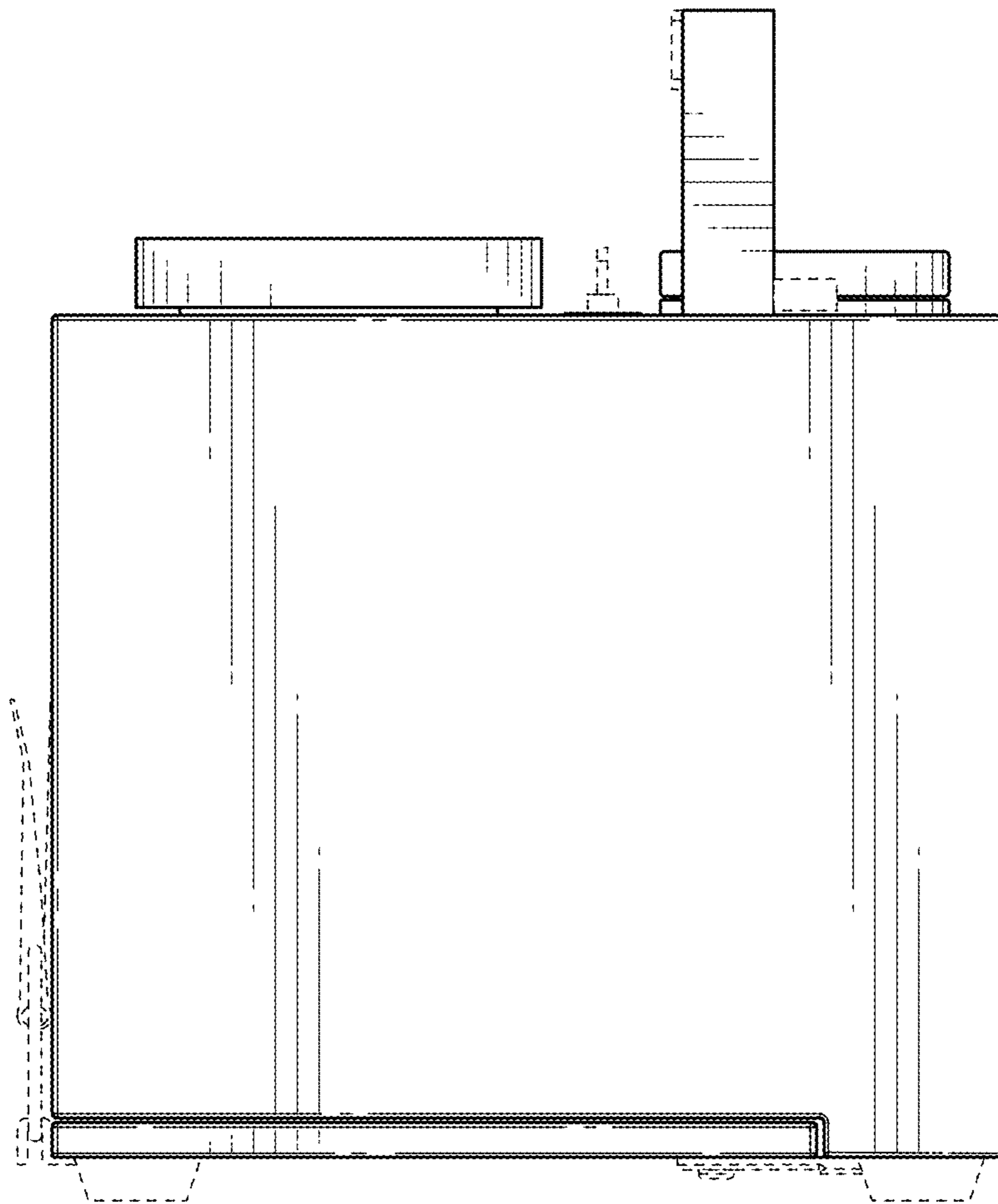


FIG. 7

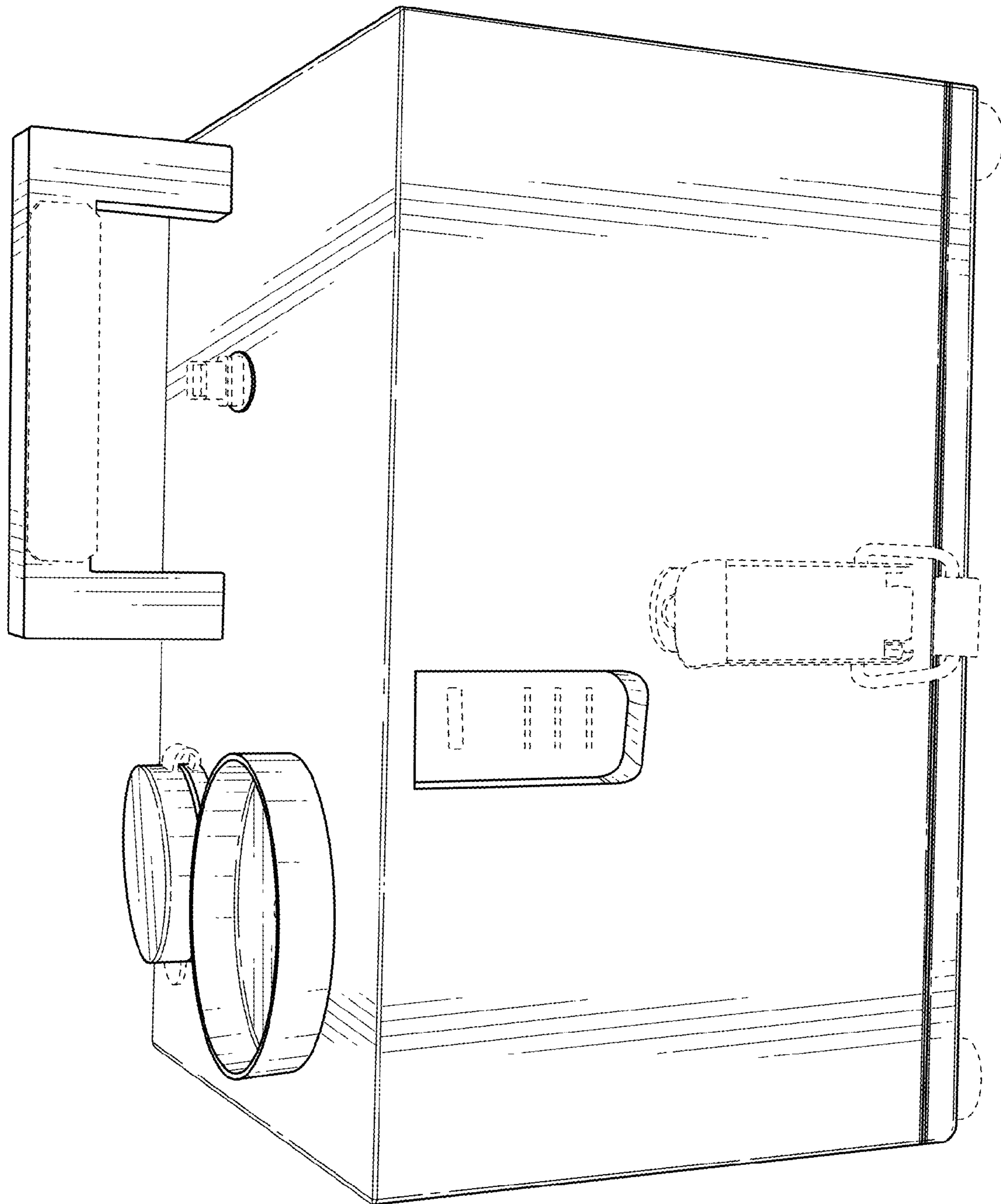


FIG. 8

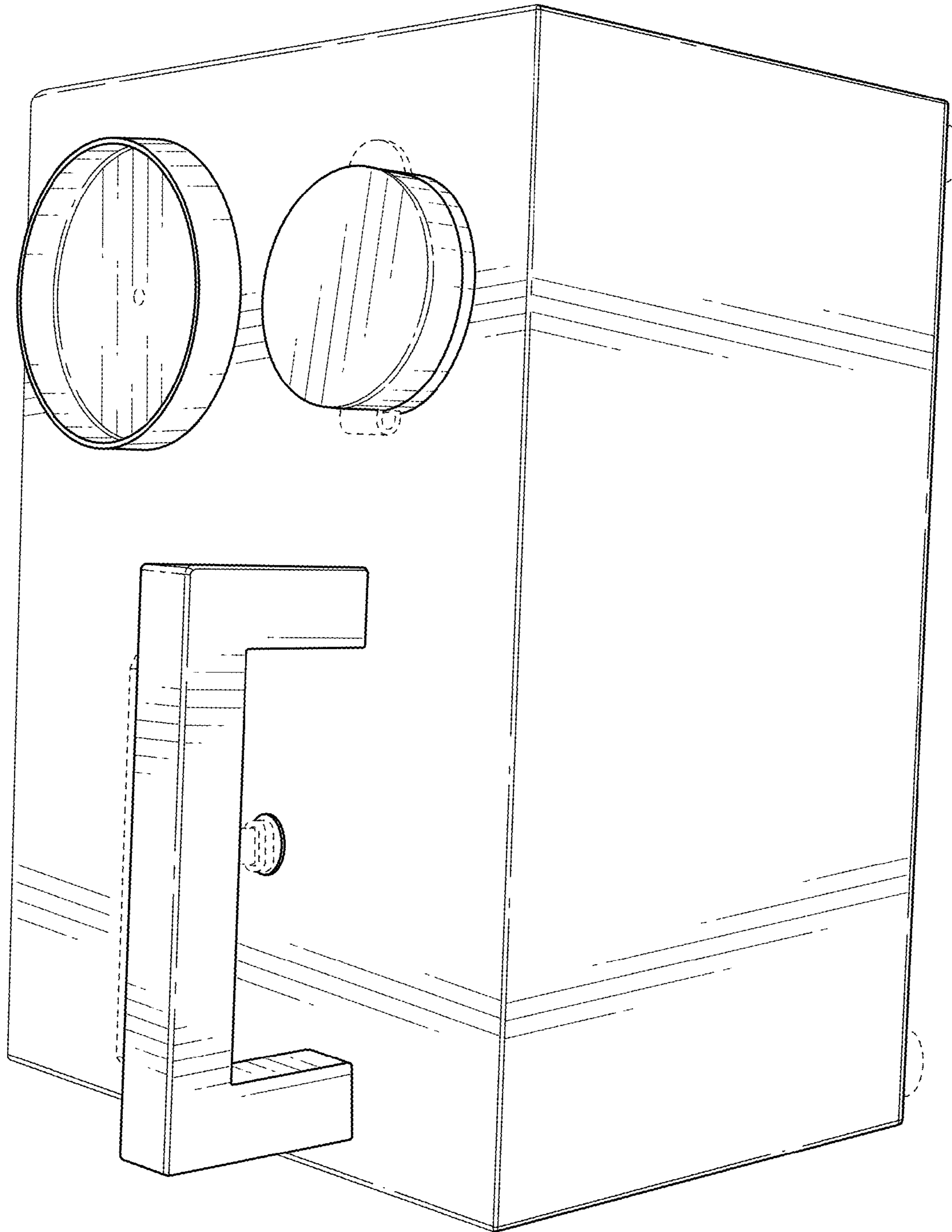


FIG. 9

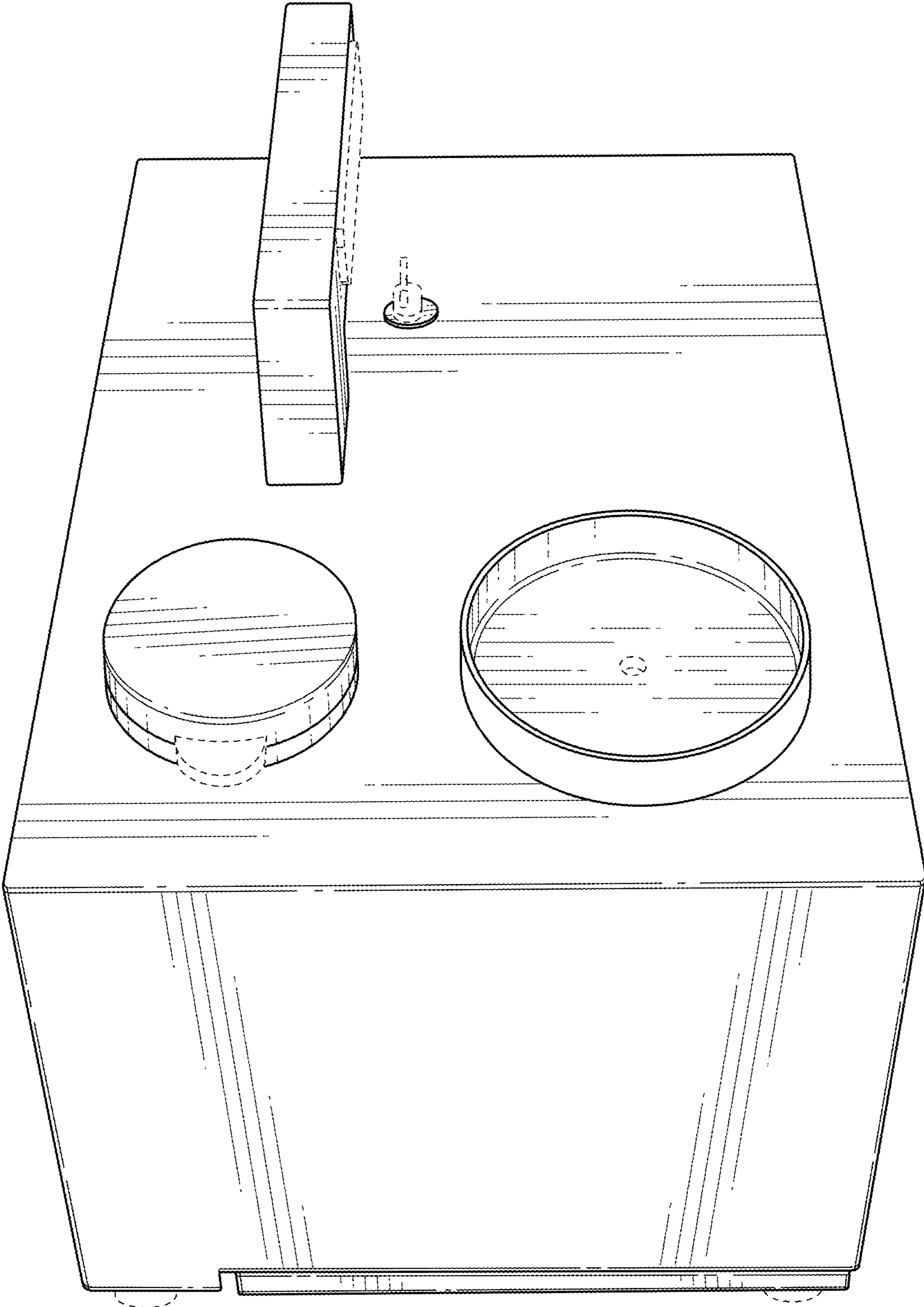


FIG. 10

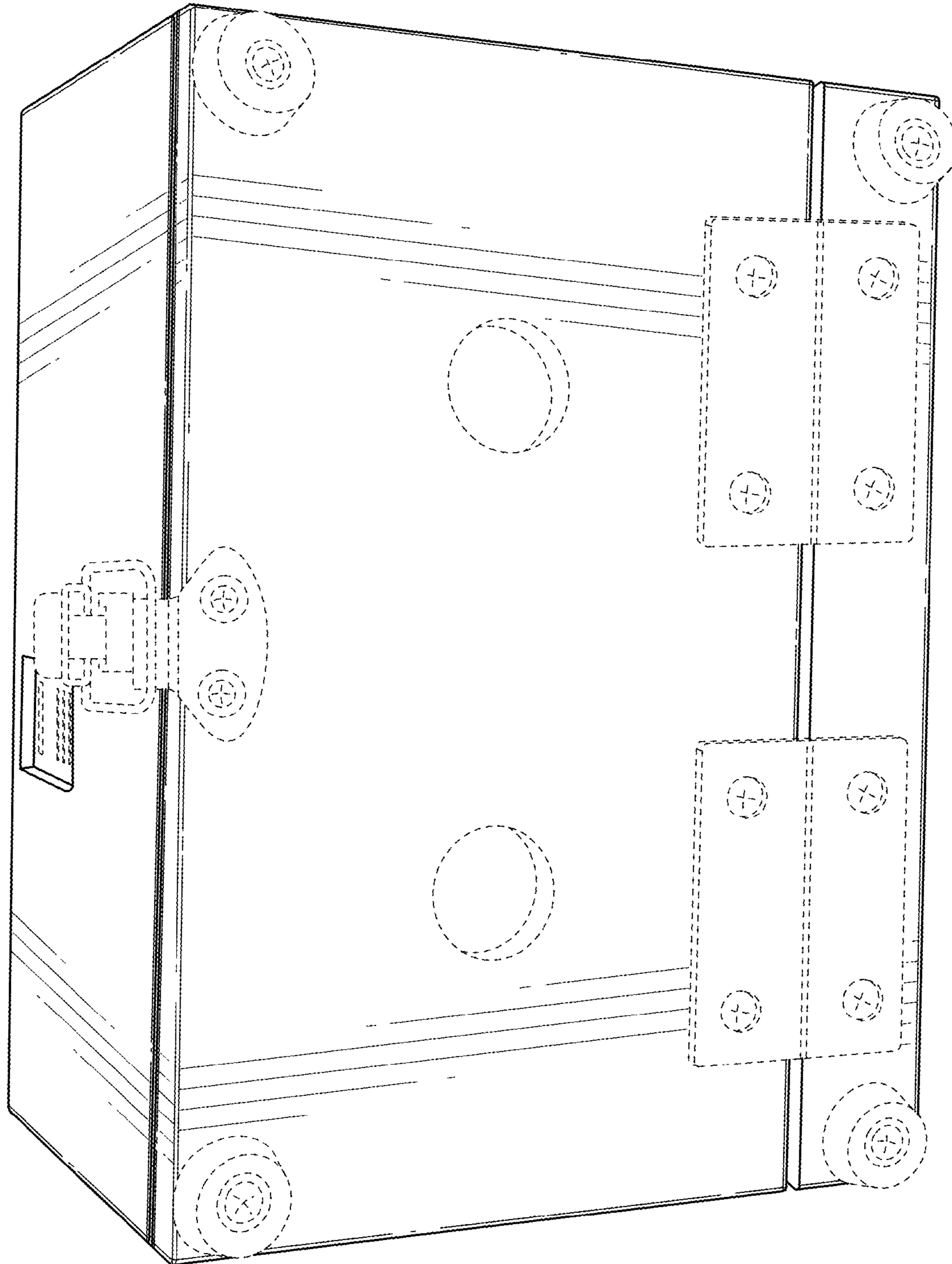


FIG. 11

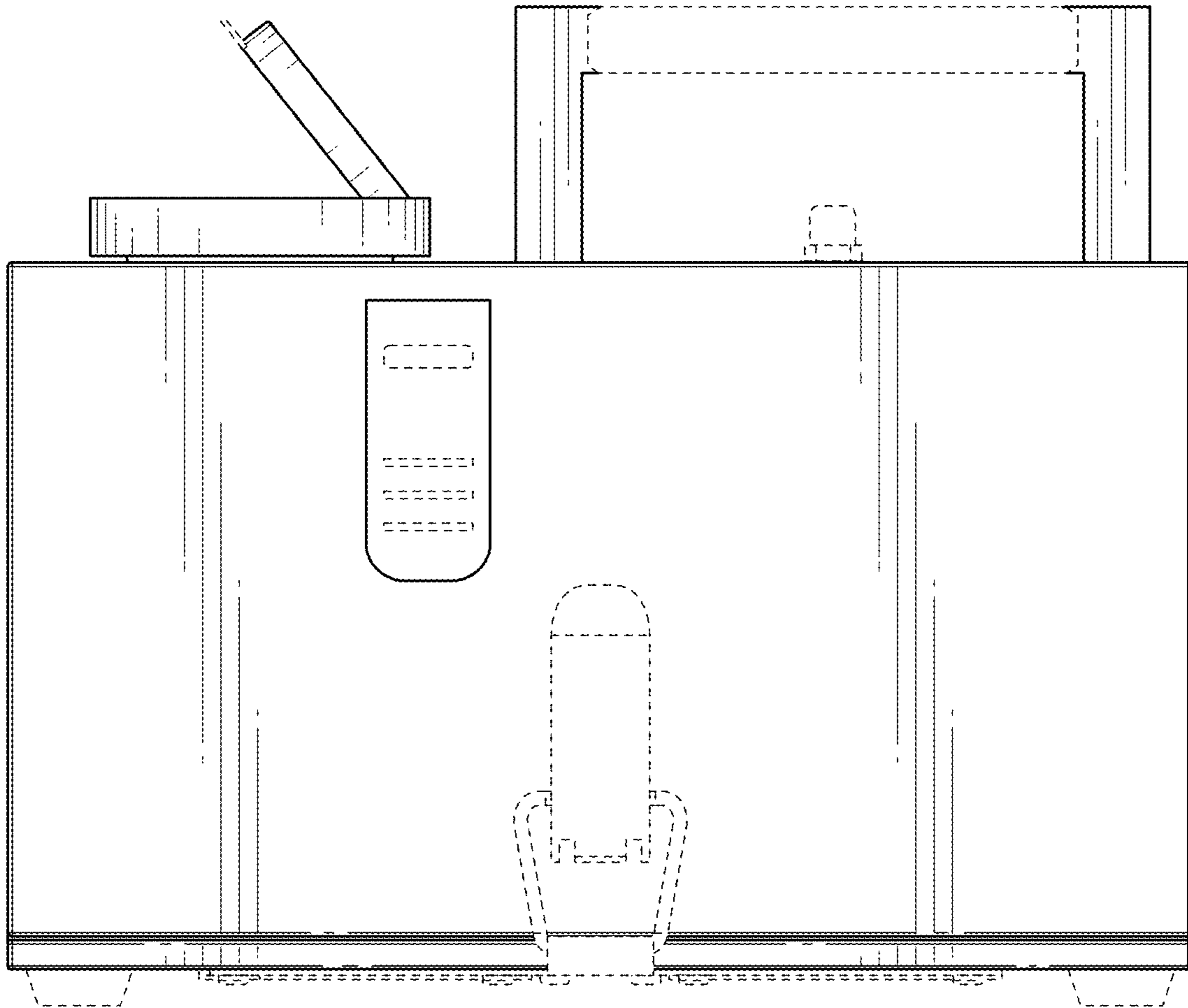


FIG. 12

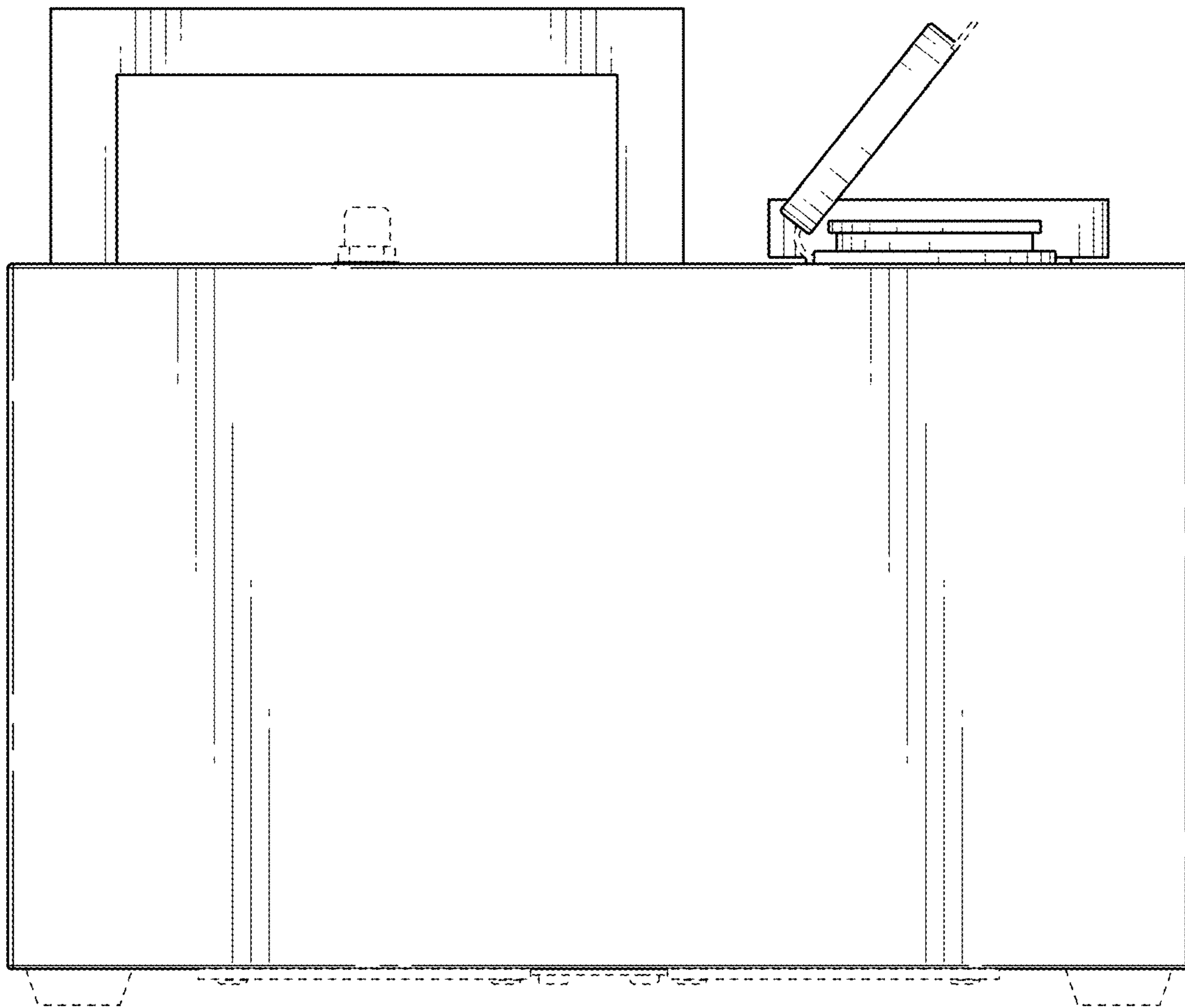


FIG. 13

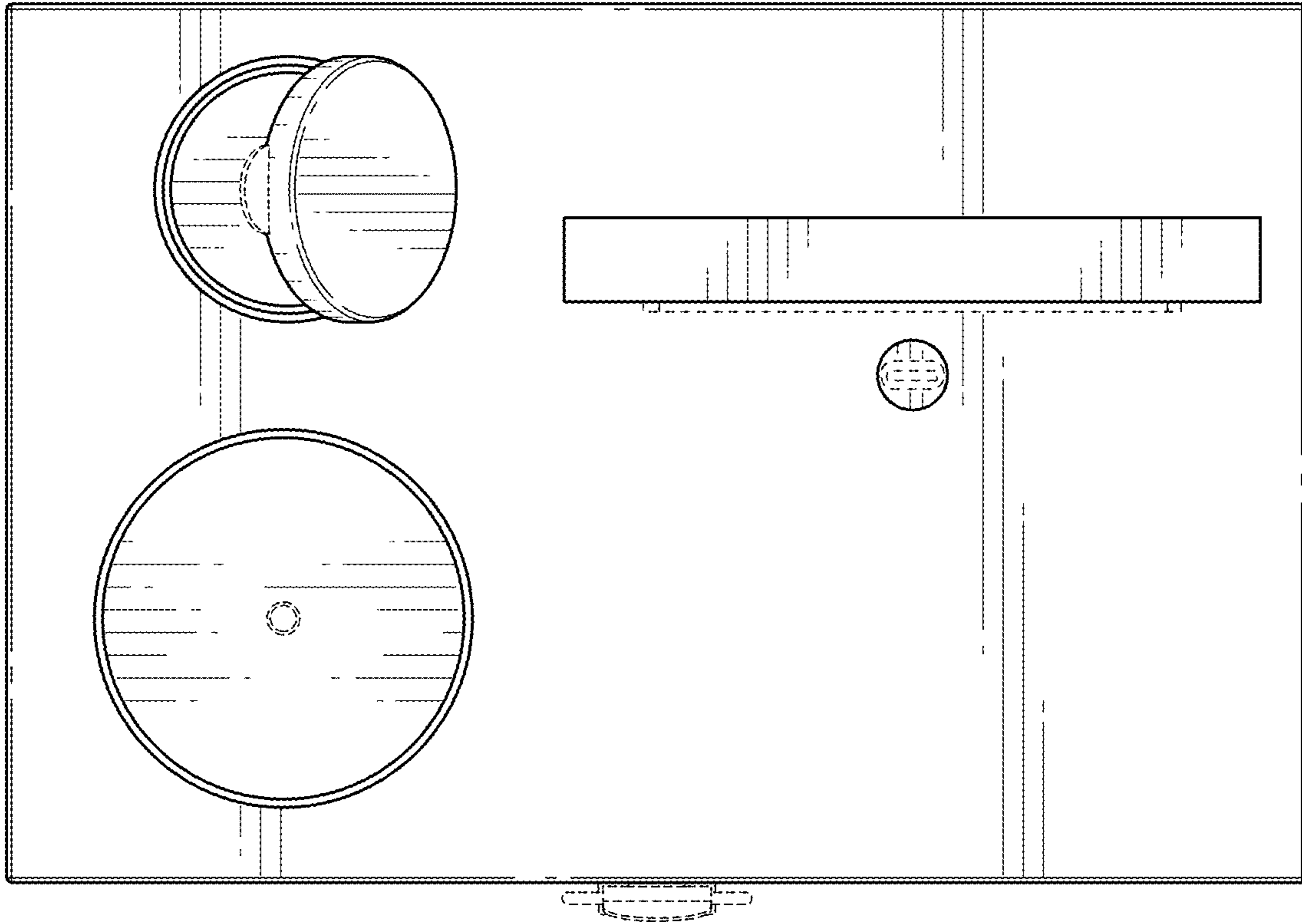


FIG. 14

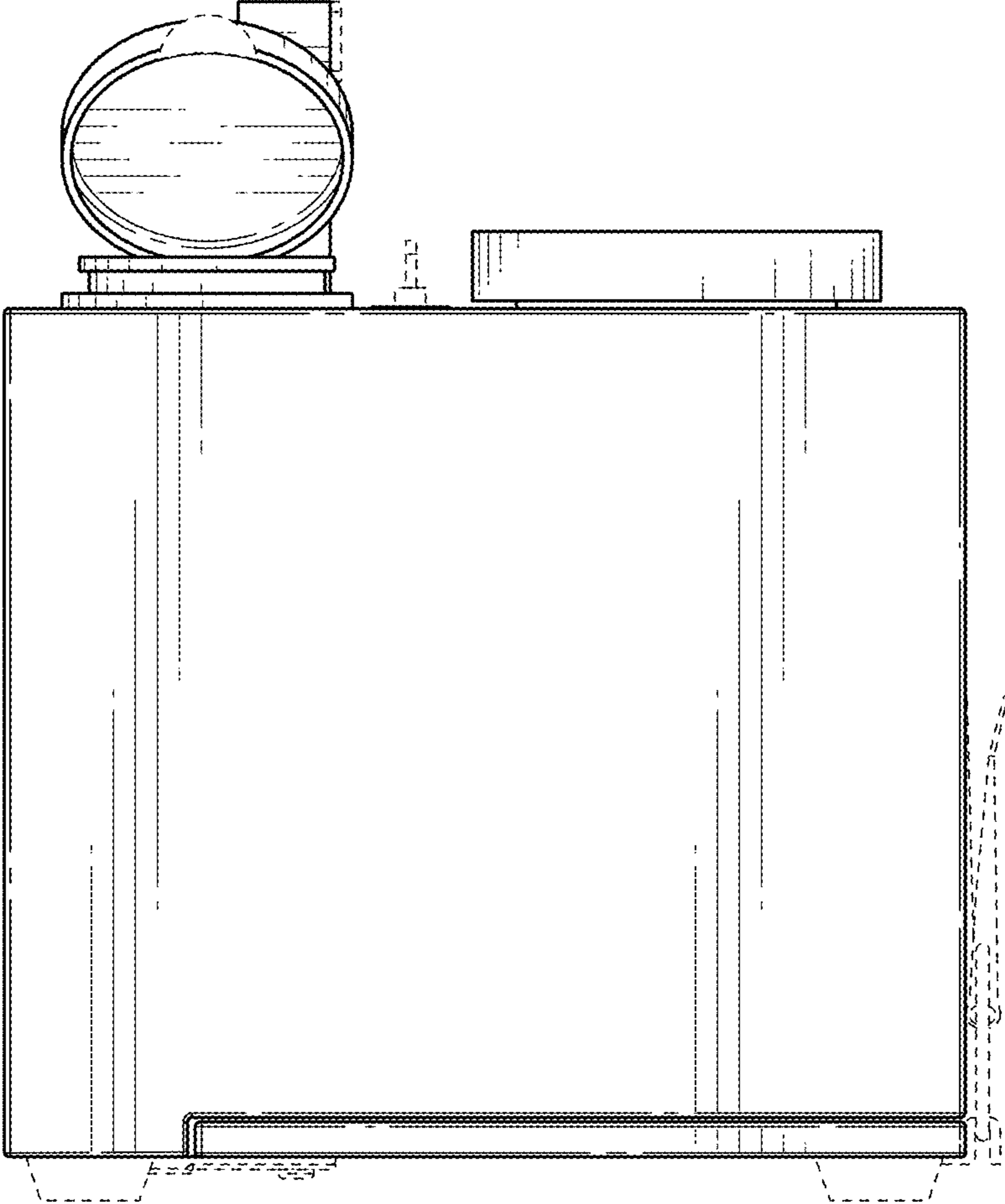


FIG. 15

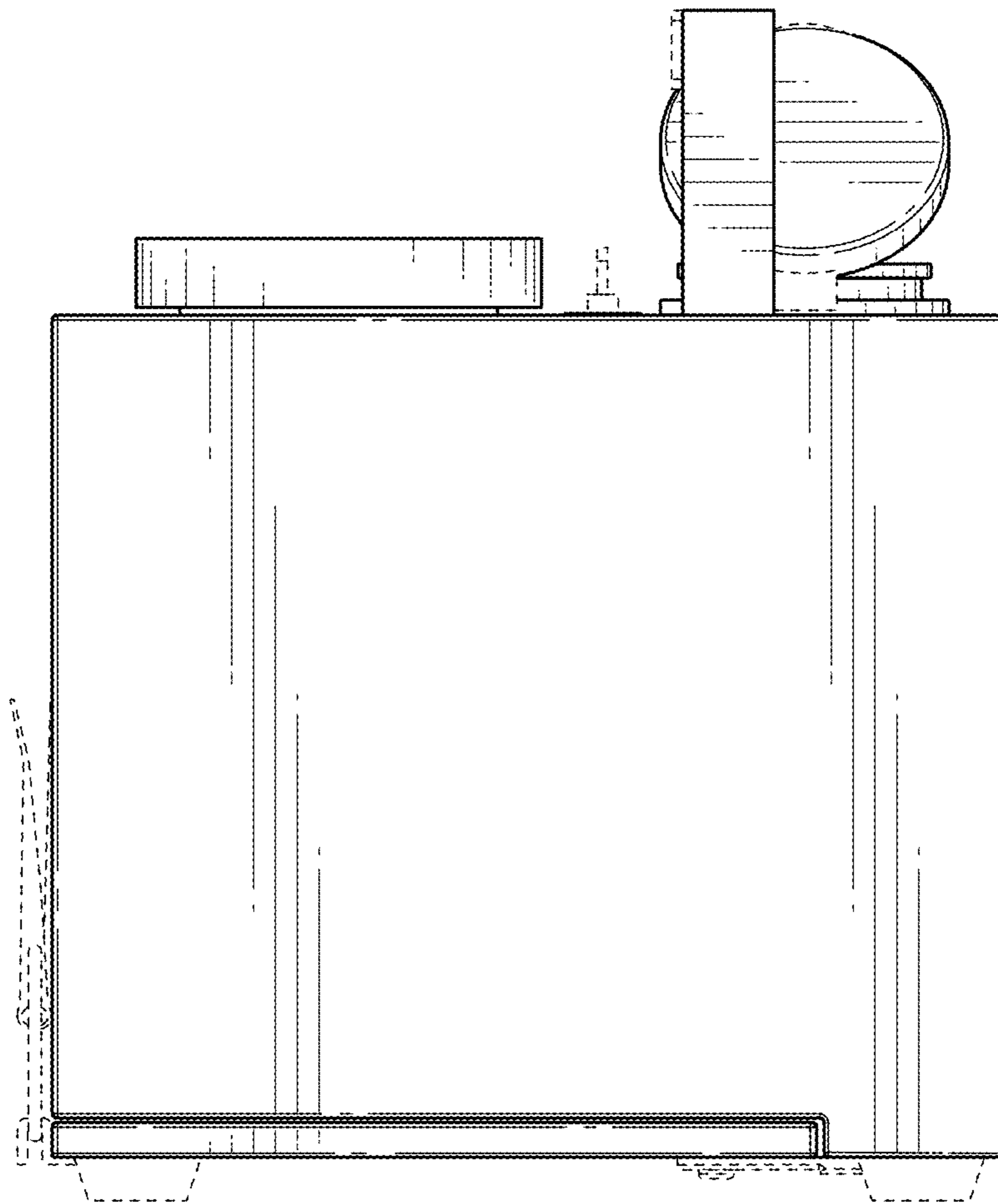


FIG. 16

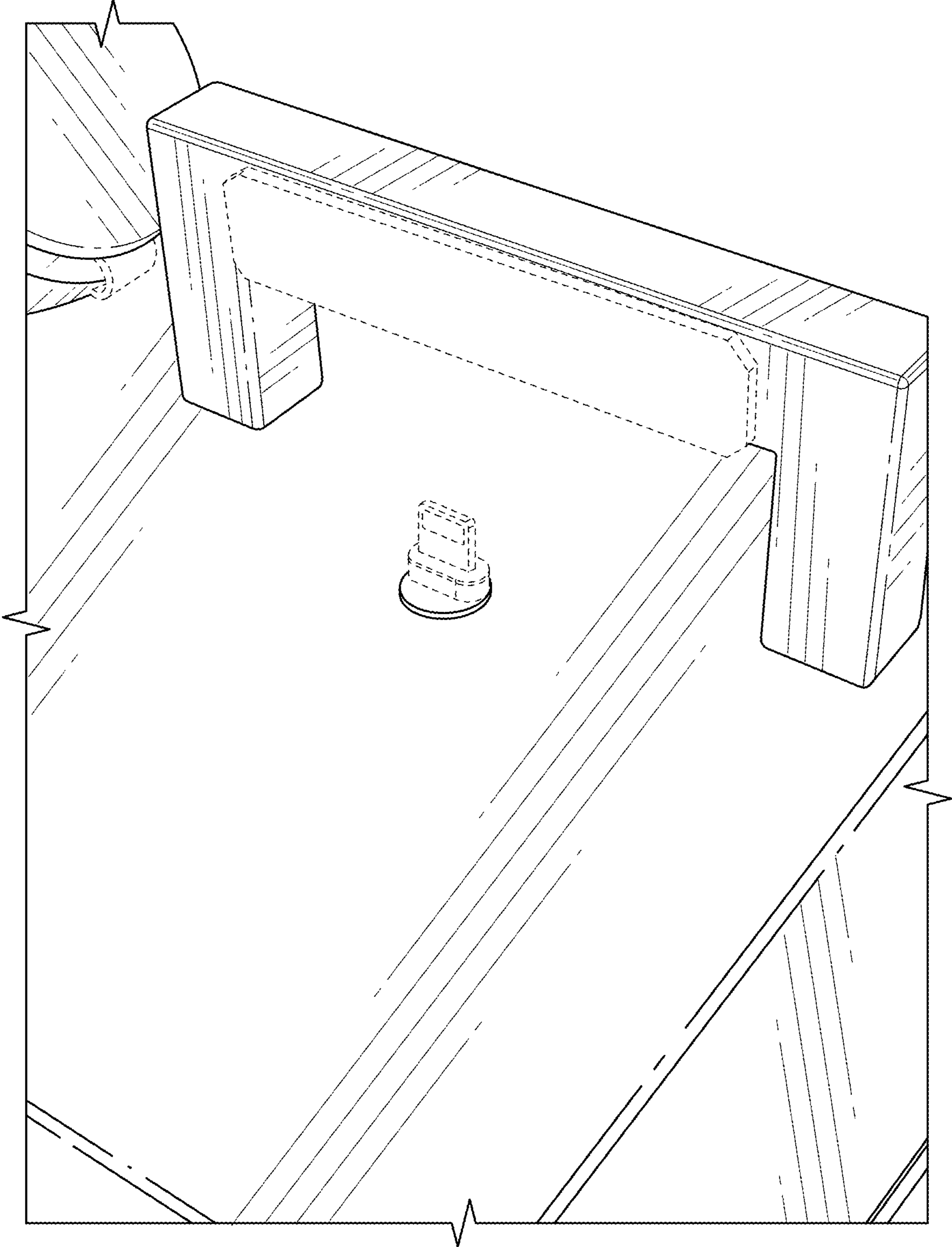


FIG. 17

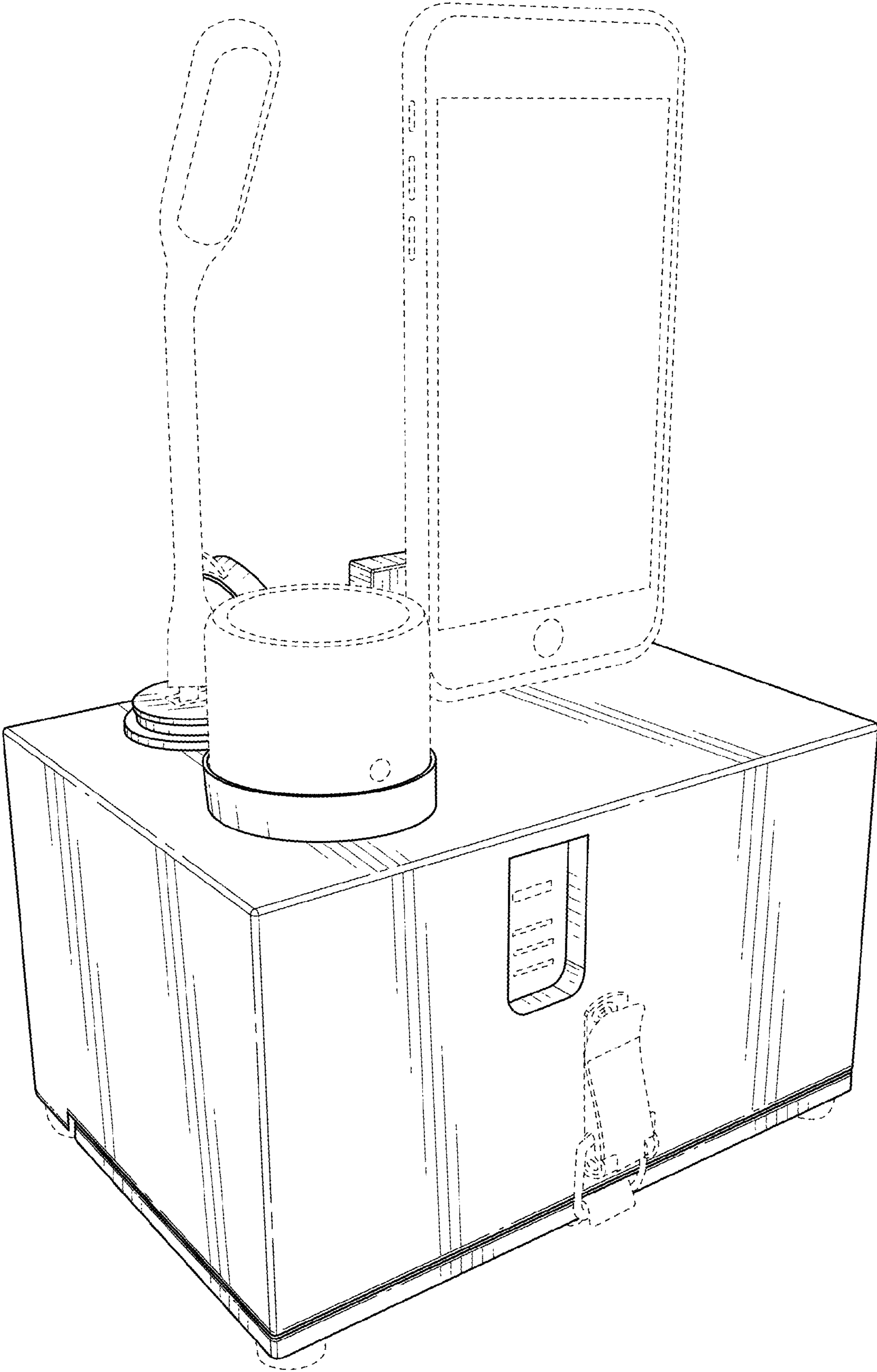


FIG. 18