



US00D904300S

(12) **United States Design Patent**
Liang et al.

(10) **Patent No.:** **US D904,300 S**
(45) **Date of Patent:** **** Dec. 8, 2020**

- (54) **POWER ADAPTER**
- (71) Applicant: **Huizhou Zhongbang Electric Co., Ltd.**, Guangdong (CN)
- (72) Inventors: **Dexin Liang**, Guangdong (CN); **Qiping Xiang**, Guangdong (CN)
- (73) Assignee: **Huizhou Zhongbang Electric Co., Ltd.**, Huizhou (CN)
- (**) Term: **15 Years**
- (21) Appl. No.: **29/689,003**
- (22) Filed: **Apr. 25, 2019**
- (51) **LOC (12) Cl.** **13-10**
- (52) **U.S. Cl.**
USPC **D13/110**
- (58) **Field of Classification Search**
USPC D13/103, 104, 107, 110, 119, 120, 133, D13/156
CPC H01R 13/641; H01M 2/1022; H01M 2/1027; H01M 2/1072; H01M 2/105; H01M 2/1077; H02B 1/20
See application file for complete search history.

- (56) **References Cited**
U.S. PATENT DOCUMENTS
- | | | | | |
|--------------|---------|----------|-------|---------|
| D657,739 S * | 4/2012 | Miyawaki | | D13/104 |
| D705,719 S * | 5/2014 | Wong | | D13/103 |
| D711,821 S * | 8/2014 | Wang | | D13/103 |
| D759,587 S * | 6/2016 | Santos | | D13/103 |
| D762,565 S * | 8/2016 | Akana | | D13/103 |
| D775,073 S * | 12/2016 | Oshiba | | D13/119 |
| D812,000 S * | 3/2018 | Li | | D13/108 |
| D820,198 S * | 6/2018 | Smith | | D13/103 |
| D821,983 S * | 7/2018 | Shah | | D13/168 |
| D836,541 S * | 12/2018 | Lomeli | | D13/107 |
| D842,237 S * | 3/2019 | Qiu | | D13/103 |

- | | | | | |
|-----------------|---------|---------|-------|-------------|
| D844,560 S * | 4/2019 | Miller | | D13/108 |
| D852,742 S * | 7/2019 | Li | | D13/110 |
| D854,020 S * | 7/2019 | Liao | | D14/434 |
| D864,864 S * | 10/2019 | Xu | | D13/110 |
| D871,324 S * | 12/2019 | Roberts | | D13/108 |
| D872,020 S * | 1/2020 | Chen | | D13/110 |
| D872,021 S * | 1/2020 | Xu | | D13/110 |
| D875,044 S * | 2/2020 | Chen | | D13/110 |
| D875,681 S * | 2/2020 | Xu | | D13/110 |
| D875,350 S * | 2/2020 | Lai | | D13/110 |
| D877,075 S * | 3/2020 | Liao | | D13/110 |
| D879,715 S * | 3/2020 | Brendel | | D13/110 |
| D879,716 S * | 3/2020 | Chuang | | D13/110 |
| 10,608,216 B2 * | 3/2020 | Lee | | H01M 2/1077 |
| D881,455 S * | 4/2020 | Wright | | D27/162 |
| D881,459 S * | 4/2020 | Ouyang | | D27/162 |
| D881,462 S * | 4/2020 | Wright | | D27/162 |

(Continued)

Primary Examiner — Janice Hallmark
Assistant Examiner — Suzanne E Tisdell
 (74) *Attorney, Agent, or Firm* — Wayne & Ken, LLC;
 Tony Hom

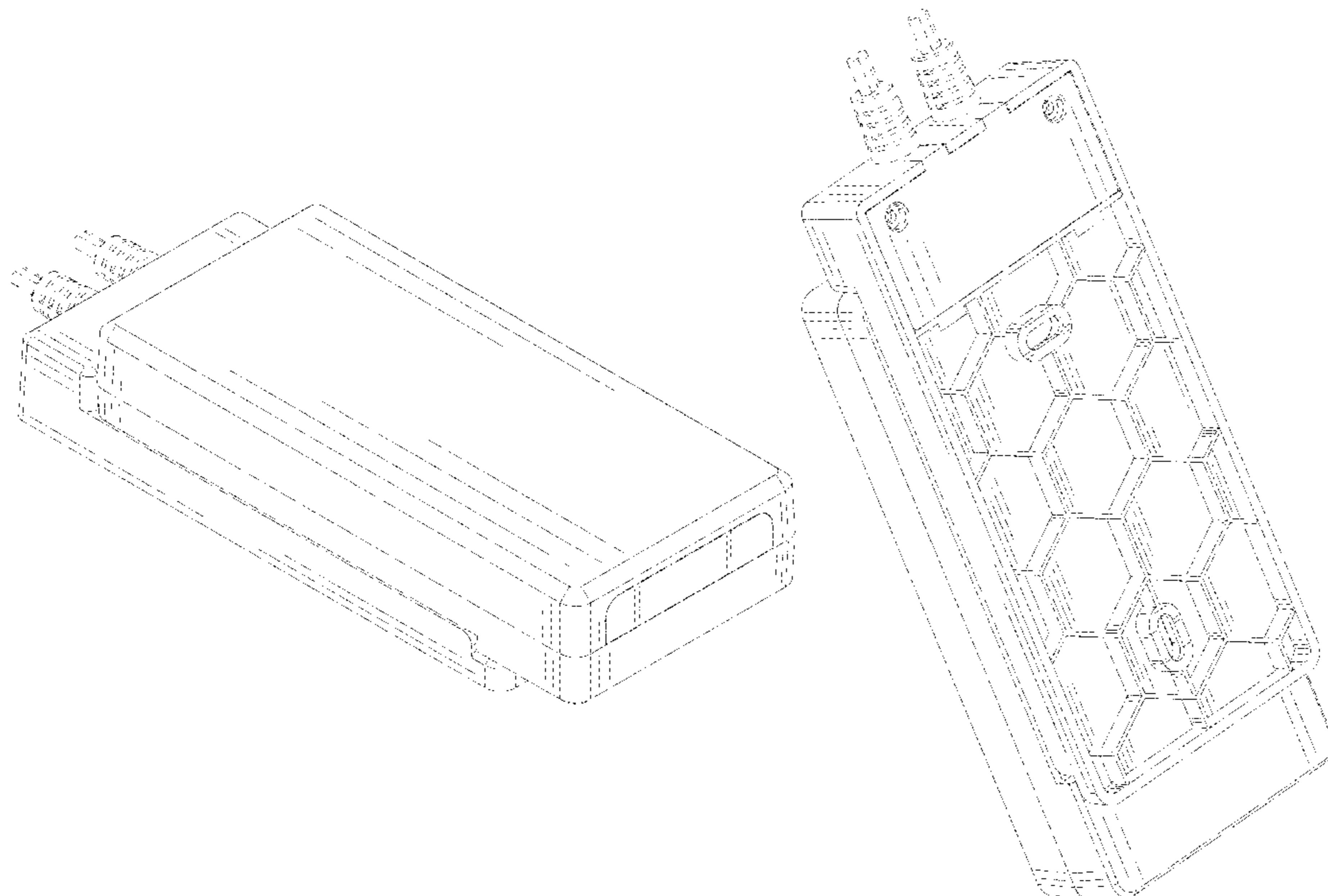
(57) **CLAIM**

The ornamental design for a power adapter, as shown and described.

DESCRIPTION

FIG. 1 is a perspective view of a power adapter showing our new design;
 FIG. 2 is another perspective view thereof;
 FIG. 3 is a front view thereof;
 FIG. 4 is a back view thereof;
 FIG. 5 is a left view thereof;
 FIG. 6 is a right view thereof;
 FIG. 7 is a top view thereof; and,
 FIG. 8 is a bottom view thereof.
 Broken lines included in the drawings depict environmental subject matter that forms no part of the claimed design.

1 Claim, 8 Drawing Sheets



(56)

References Cited

U.S. PATENT DOCUMENTS

2008/0050645 A1* 2/2008 Kai H01M 2/1077
429/61
2009/0123821 A1* 5/2009 Kim H05K 1/182
429/124
2011/0070465 A1* 3/2011 Kim H01M 10/4257
429/7
2015/0207181 A1* 7/2015 Fink H01M 10/425
429/7
2017/0264059 A1* 9/2017 Cote H01R 13/717
2019/0131678 A1* 5/2019 Kim H01M 10/613
2019/0189982 A1* 6/2019 Lee H01M 10/0472
2019/0198952 A1* 6/2019 Choi H01M 2/204

* cited by examiner

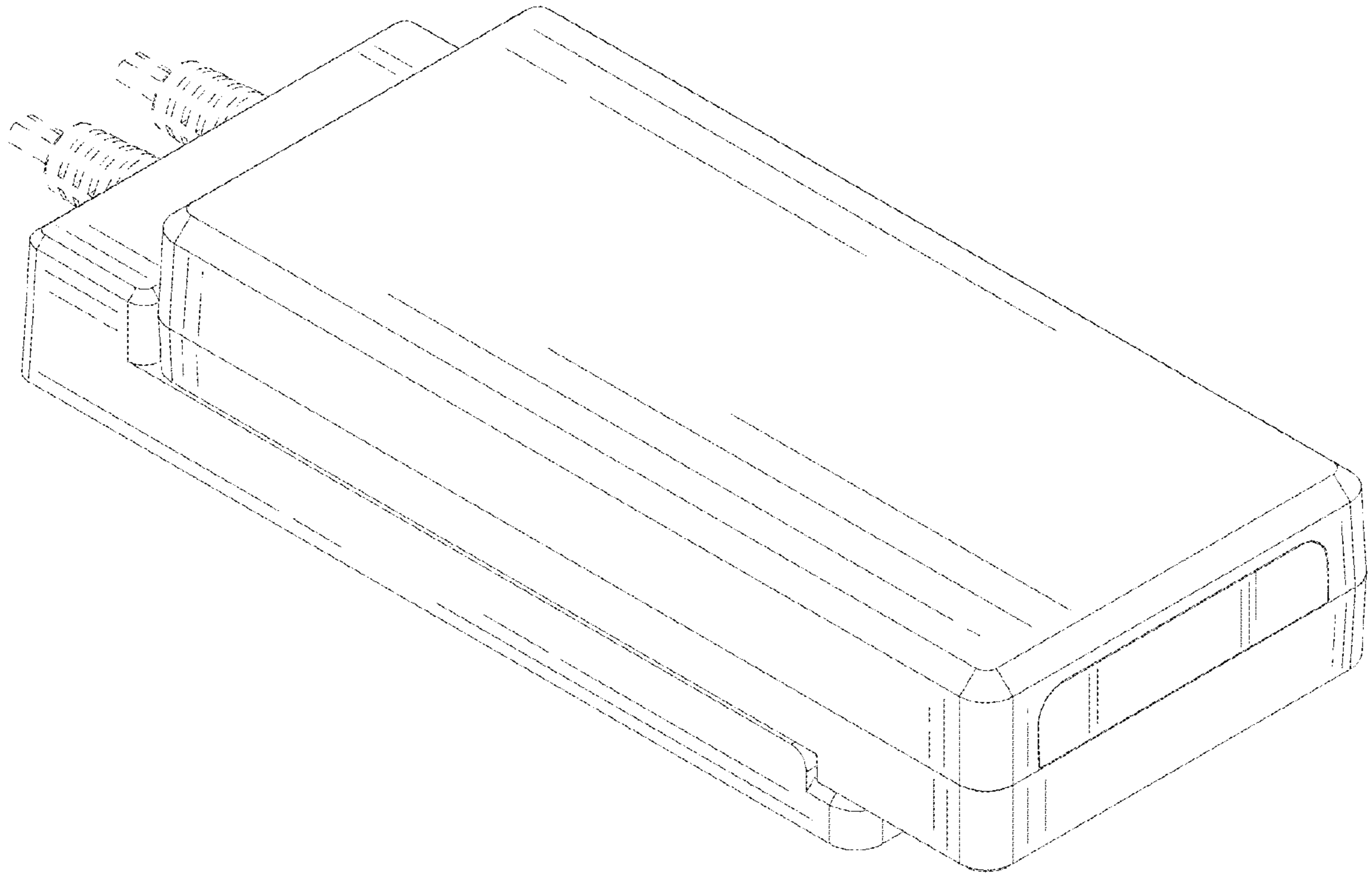


FIG. 1

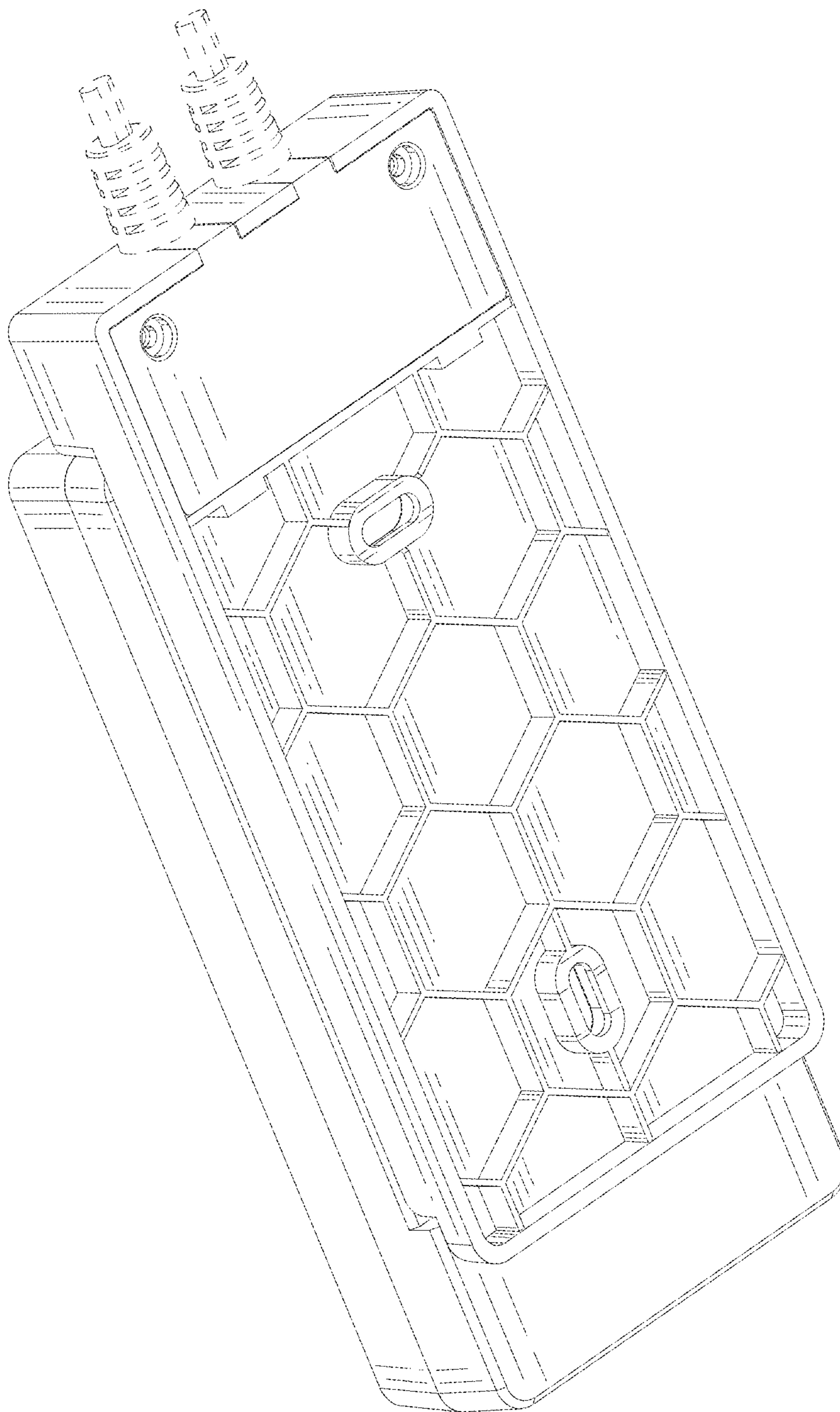


FIG. 2

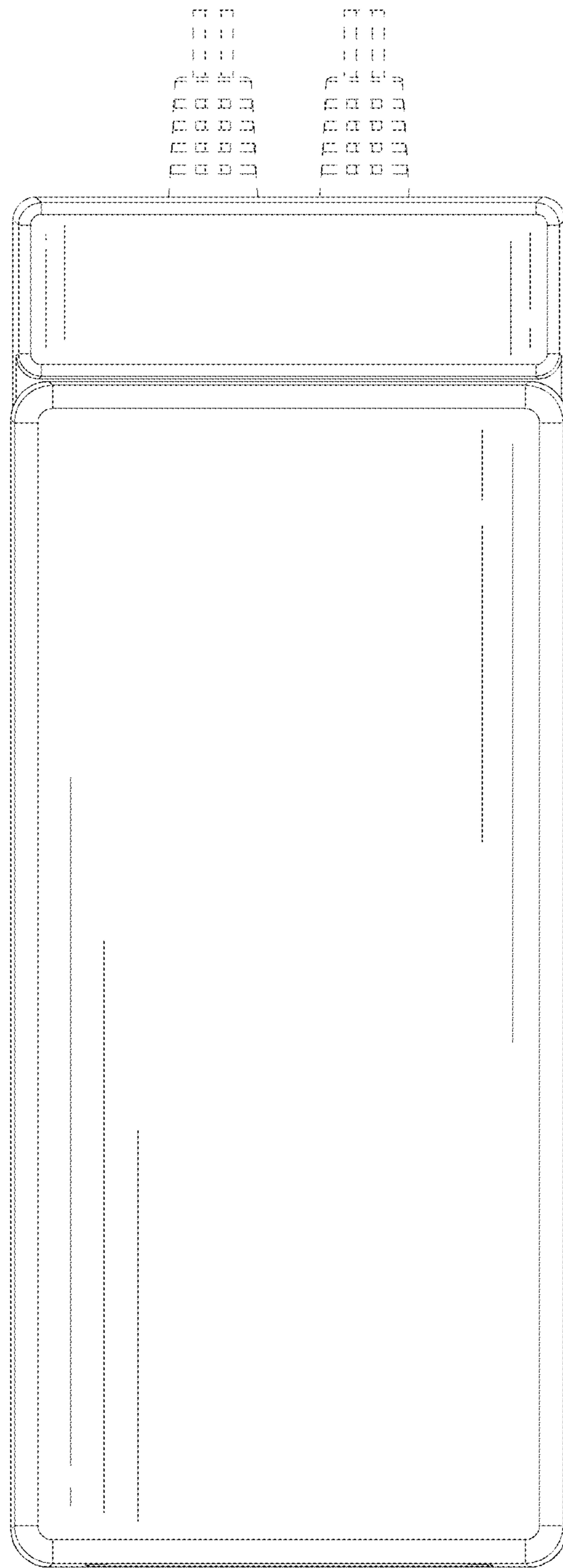


FIG. 3

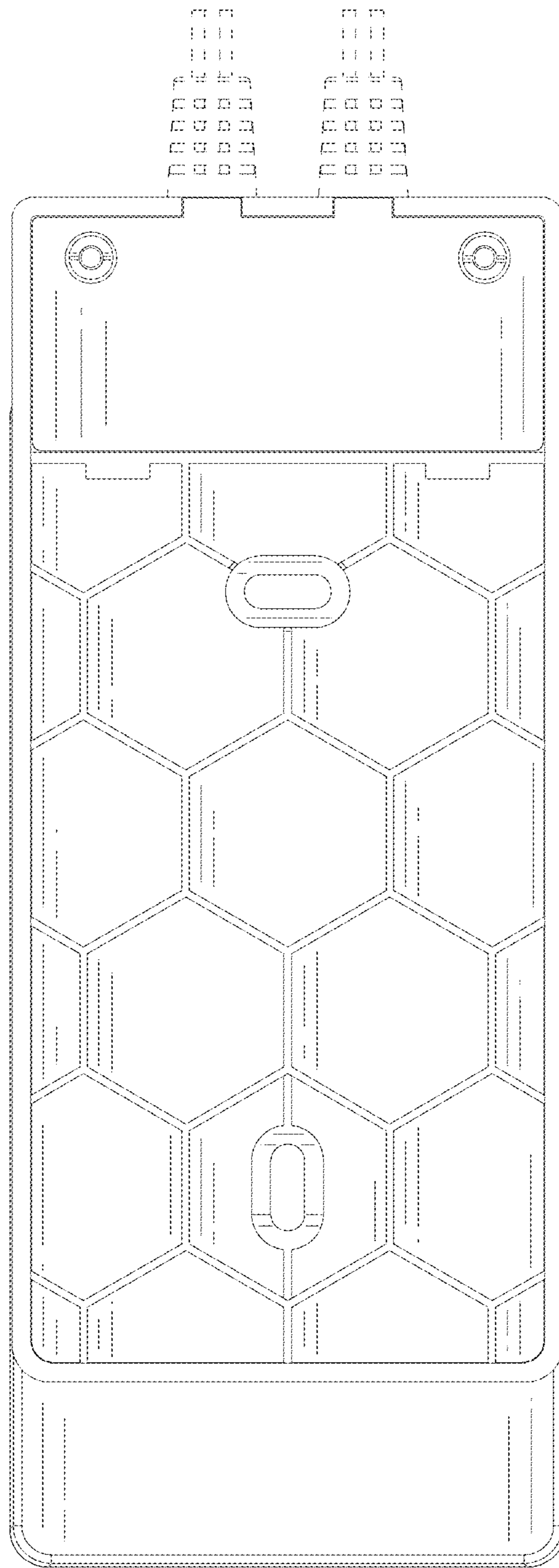


FIG. 4

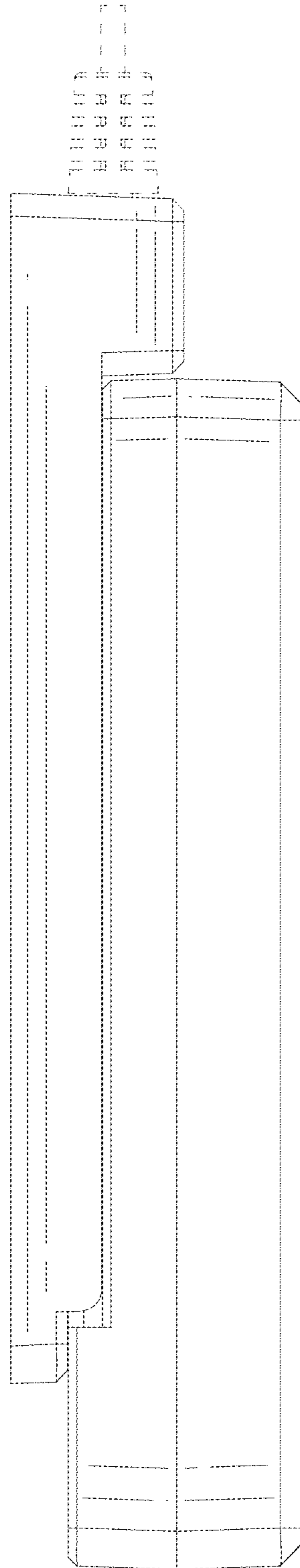


FIG. 5

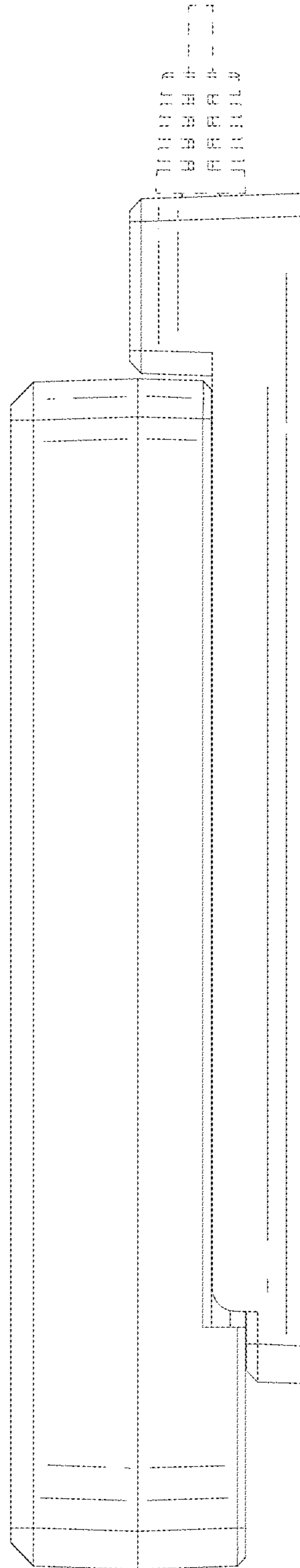


FIG. 6

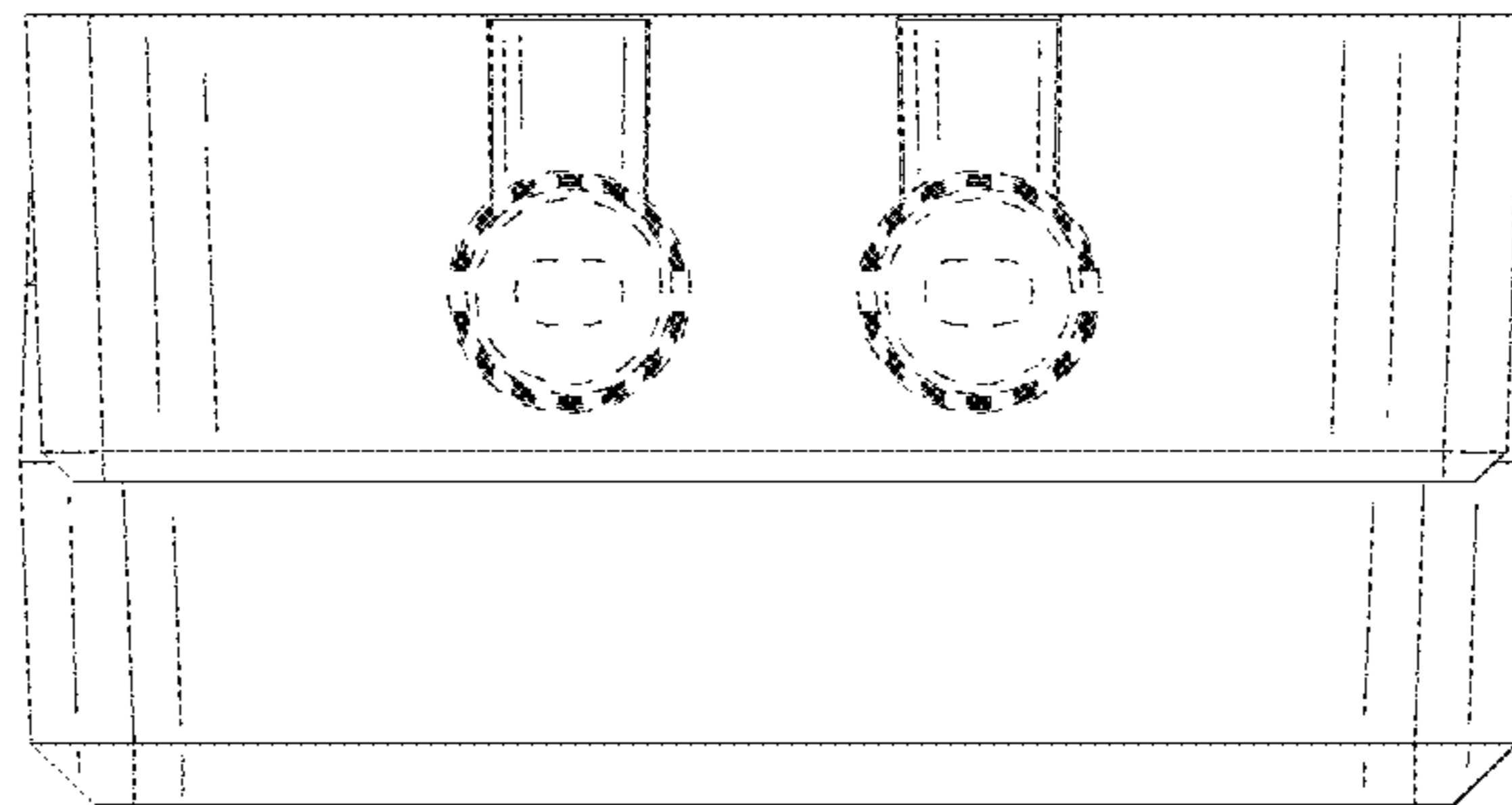


FIG. 7

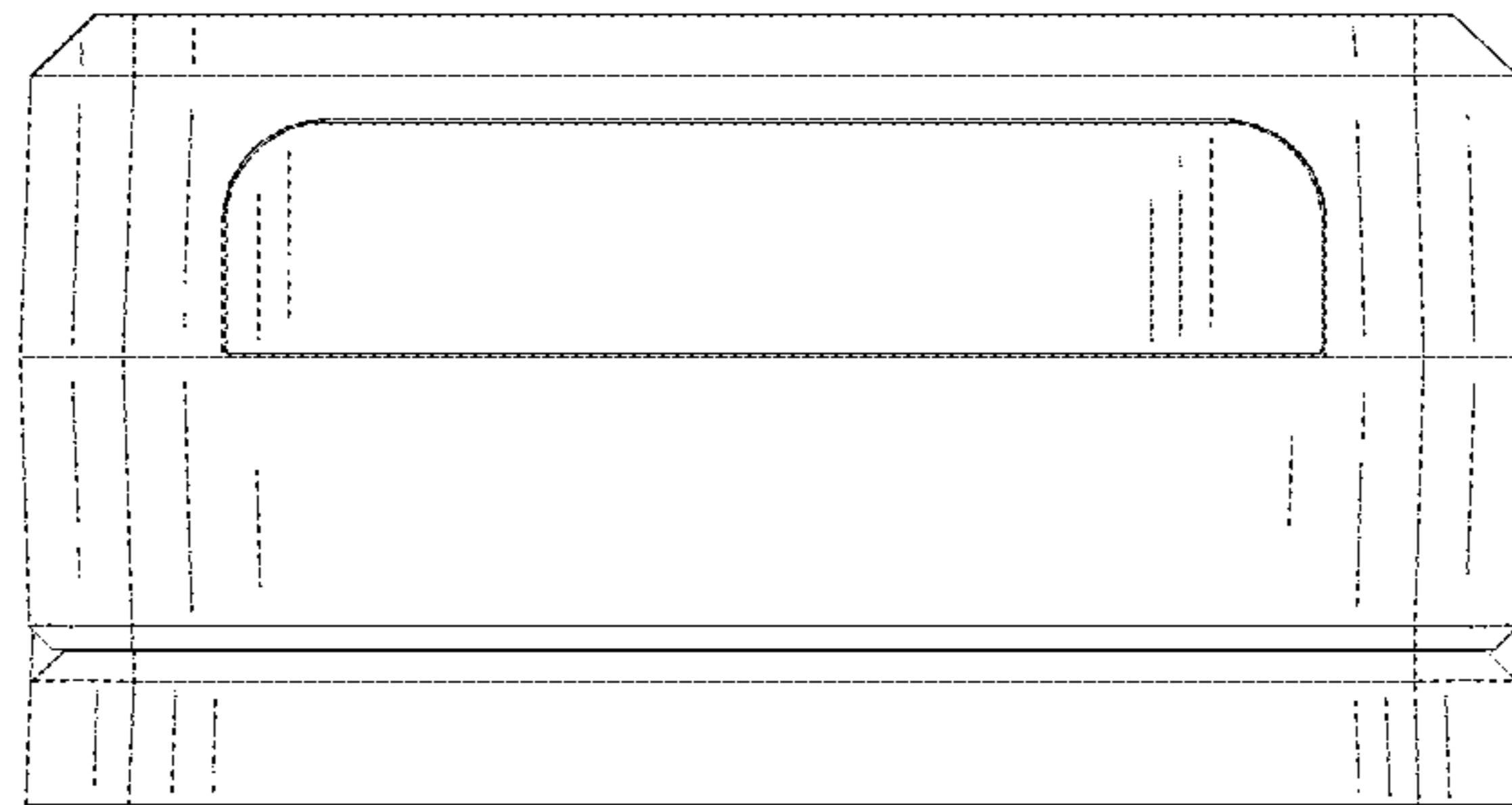


FIG. 8