



US00D904298S

(12) **United States Design Patent**
Manhart et al.

(10) **Patent No.:** **US D904,298 S**
(45) **Date of Patent:** **** Dec. 8, 2020**

(54) **TRANSFORMER DEVICE WITH MODIFIED VOLTAGE TAP ARRANGEMENT**

(71) Applicant: **SAI Advanced Power Solutions,**
Elmhurst, IL (US)

(72) Inventors: **James S. Manhart,** Chicago, IL (US);
John Ryan, Island Lake, IL (US)

(73) Assignee: **SAI Advanced Power Solutions,**
Elmhurst, IL (US)

(**) Term: **15 Years**

(21) Appl. No.: **29/637,032**

(22) Filed: **Feb. 13, 2018**

(51) **LOC (12) Cl.** **13-02**

(52) **U.S. Cl.**
USPC **D13/110**

(58) **Field of Classification Search**
USPC D13/103, 104, 107, 110, 112, 119, 120,
D13/133, 156

(Continued)

(56) **References Cited**

U.S. PATENT DOCUMENTS

D722,953 S * 2/2015 Hayashi D13/103
D762,564 S * 8/2016 Patton D13/103

(Continued)

Primary Examiner — Susan Bennett Hattan

Assistant Examiner — Suzanne E Tisdell

(74) *Attorney, Agent, or Firm* — Leydig, Voit & Mayer,
Ltd.

(57) **CLAIM**

An ornamental design for a transformer device with modified voltage tap arrangement, as shown and described.

DESCRIPTION

FIG. 1 is an isometric view showing the front, top and right side of our design of a transformer device with modified voltage tap arrangement.

FIG. 2 is front elevational view of the transformer device with modified voltage tap arrangement of FIG. 1.

FIG. 3 is a rear elevational view of the transformer device with modified voltage tap arrangement of FIGS. 1-2.

FIG. 4 is a left side elevational view of the transformer device with modified voltage tap arrangement of FIGS. 1-3.

FIG. 5 is a right side elevational view of the transformer device with modified voltage tap arrangement of FIGS. 1-4.

FIG. 6 is a top plan view of the transformer device with modified voltage tap arrangement of FIGS. 1-5.

FIG. 7 is a bottom view of the transformer device with modified voltage tap arrangement of FIGS. 1-6.

FIG. 8 is an isometric view showing the front, top and right side of a second embodiment of our design of a transformer device with modified voltage tap arrangement.

FIG. 9 is front elevational view of the embodiment of the transformer device with modified voltage tap arrangement of FIG. 8.

FIG. 10 is a rear elevational view of the embodiment of the transformer device with modified voltage tap arrangement of FIGS. 8-9.

FIG. 11 is a left side elevational view of the embodiment of the transformer device with modified voltage tap arrangement of FIGS. 8-10.

FIG. 12 is a right side elevational view of the embodiment of the transformer device with modified voltage tap arrangement of FIGS. 8-11.

FIG. 13 is a top plan view of the embodiment of the transformer device with modified voltage tap arrangement of FIGS. 8-12.

FIG. 14 is a bottom view of the embodiment of the transformer device with modified voltage tap arrangement of FIGS. 8-13.

FIG. 15 is an isometric view showing the front, top and right side of a third embodiment of our design of a transformer device with modified voltage tap arrangement.

FIG. 16 is front elevational view of the embodiment of the transformer device with modified voltage tap arrangement of FIG. 15.

FIG. 17 is a rear elevational view of the embodiment of the transformer device with modified voltage tap arrangement of FIGS. 15-16.

(Continued)

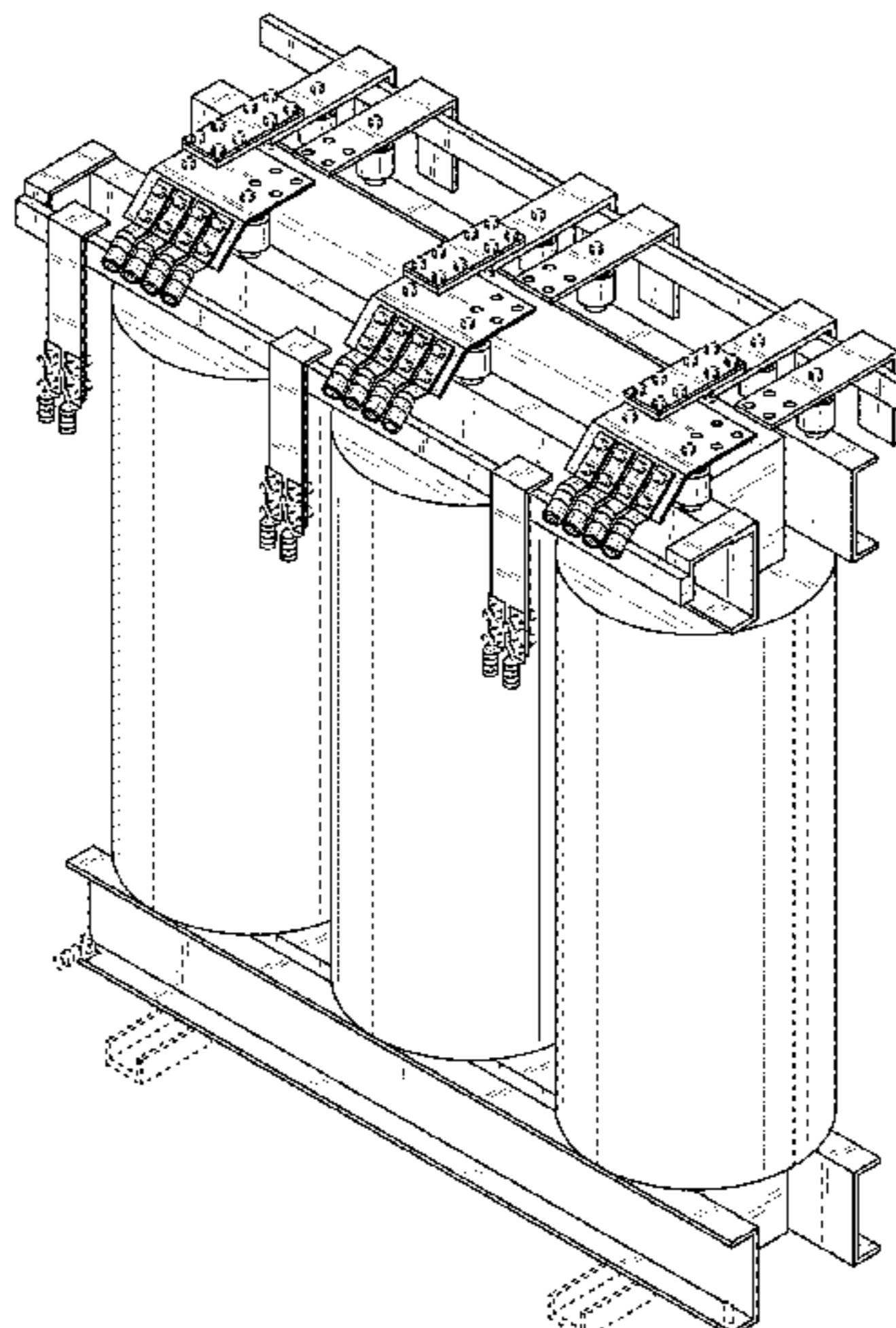


FIG. 18 is a left side elevational view of the embodiment of the transformer device with modified voltage tap arrangement of FIGS. 15-17.

FIG. 19 is a right side elevational view of the embodiment of the transformer device with modified voltage tap arrangement of FIGS. 15-18.

FIG. 20 is a top plan view of the embodiment of the transformer device with modified voltage tap arrangement of FIGS. 15-19.

FIG. 21 is a bottom view of the embodiment of the transformer device with modified voltage tap arrangement of FIGS. 15-20.

FIG. 22 is an isometric view showing the front, top and right side of a fourth embodiment of our design of a transformer device with modified voltage tap arrangement.

FIG. 23 is front elevational view of the embodiment of the transformer device with modified voltage tap arrangement of FIG. 22.

FIG. 24 is a rear elevational view of the embodiment of the transformer device with modified voltage tap arrangement of FIGS. 22-23.

FIG. 25 is a left side elevational view of the embodiment of the transformer device with modified voltage tap arrangement of FIGS. 22-24.

FIG. 26 is a right side elevational view of the embodiment of the transformer device with modified voltage tap arrangement of FIGS. 22-25.

FIG. 27 is a top plan view of the embodiment of the transformer device with modified voltage tap arrangement of FIGS. 22-26.

FIG. 28 is a bottom view of the embodiment of the transformer device with modified voltage tap arrangement of FIGS. 22-27.

FIG. 29 is an isometric view showing the front, top and right side of a fifth embodiment of our design of a transformer device with modified voltage tap arrangement.

FIG. 30 is front elevational view of the embodiment of the transformer device with modified voltage tap arrangement of FIG. 29.

FIG. 31 is a rear elevational view of the embodiment of the transformer device with modified voltage tap arrangement of FIGS. 29-30.

FIG. 32 is a left side elevational view of the embodiment of the transformer device with modified voltage tap arrangement of FIGS. 29-31.

FIG. 33 is a right side elevational view of the embodiment of the transformer device with modified voltage tap arrangement of FIGS. 29-32.

FIG. 34 is a top plan view of the embodiment of the transformer device with modified voltage tap arrangement of FIGS. 29-33; and,

FIG. 35 is a bottom view of the embodiment of the transformer device with modified voltage tap arrangement of FIGS. 29-34.

The broken lines of FIGS. 1-35 are for the purpose of illustrating portions of the article in which the design is embodied that form no part of the claimed design.

1 Claim, 25 Drawing Sheets

(58) **Field of Classification Search**

CPC H01R 13/641; H02B 1/20; H01M 2/1022;
H01M 2/1027; H01M 2/1072; H01M
2/105; H01M 2/1077

See application file for complete search history.

(56) **References Cited**

U.S. PATENT DOCUMENTS

D763,788	S	*	8/2016	Bakker	D13/103
D774,452	S	*	12/2016	Rost	D13/103
D823,247	S	*	7/2018	Lemelson	D13/108
D830,966	S	*	10/2018	Siminoff	D13/103
D836,543	S	*	12/2018	Sun	D13/108
D839,823	S	*	2/2019	Lemelson	D13/103
D844,557	S	*	4/2019	Wang	D13/103
D851,032	S	*	6/2019	Santos	D13/103
D853,321	S	*	7/2019	Sutenas	D13/103

* cited by examiner

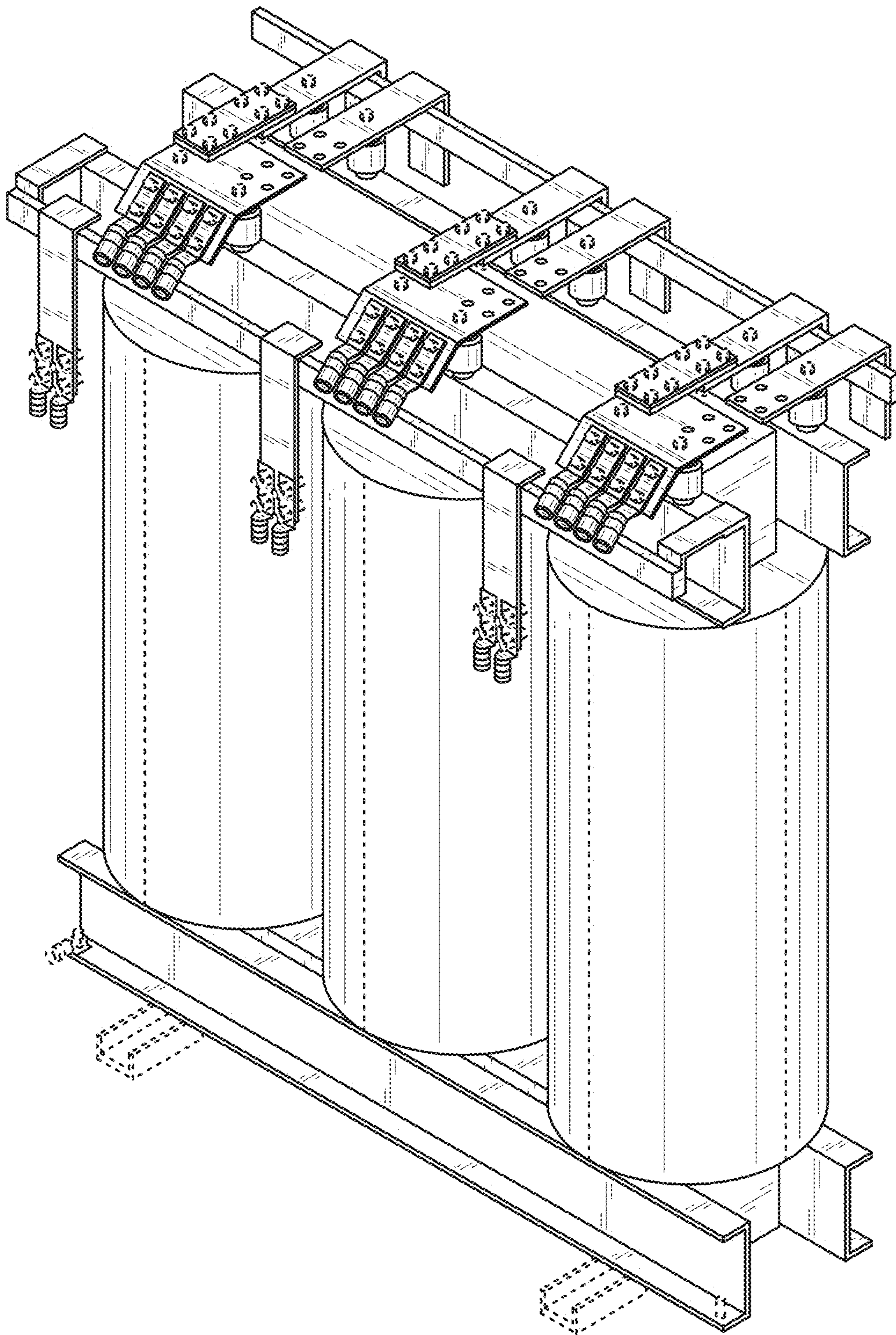


FIG. 1

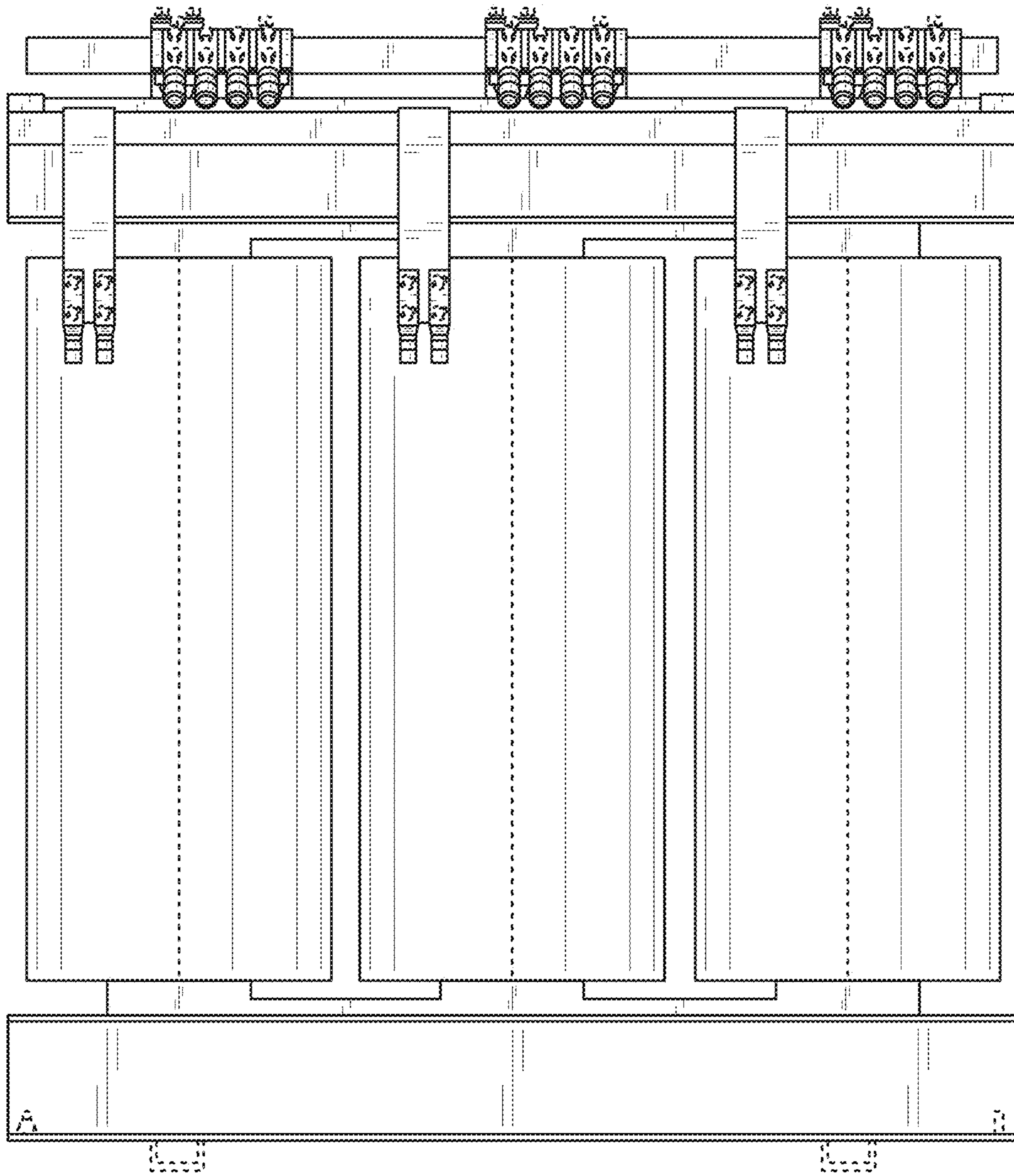


FIG. 2

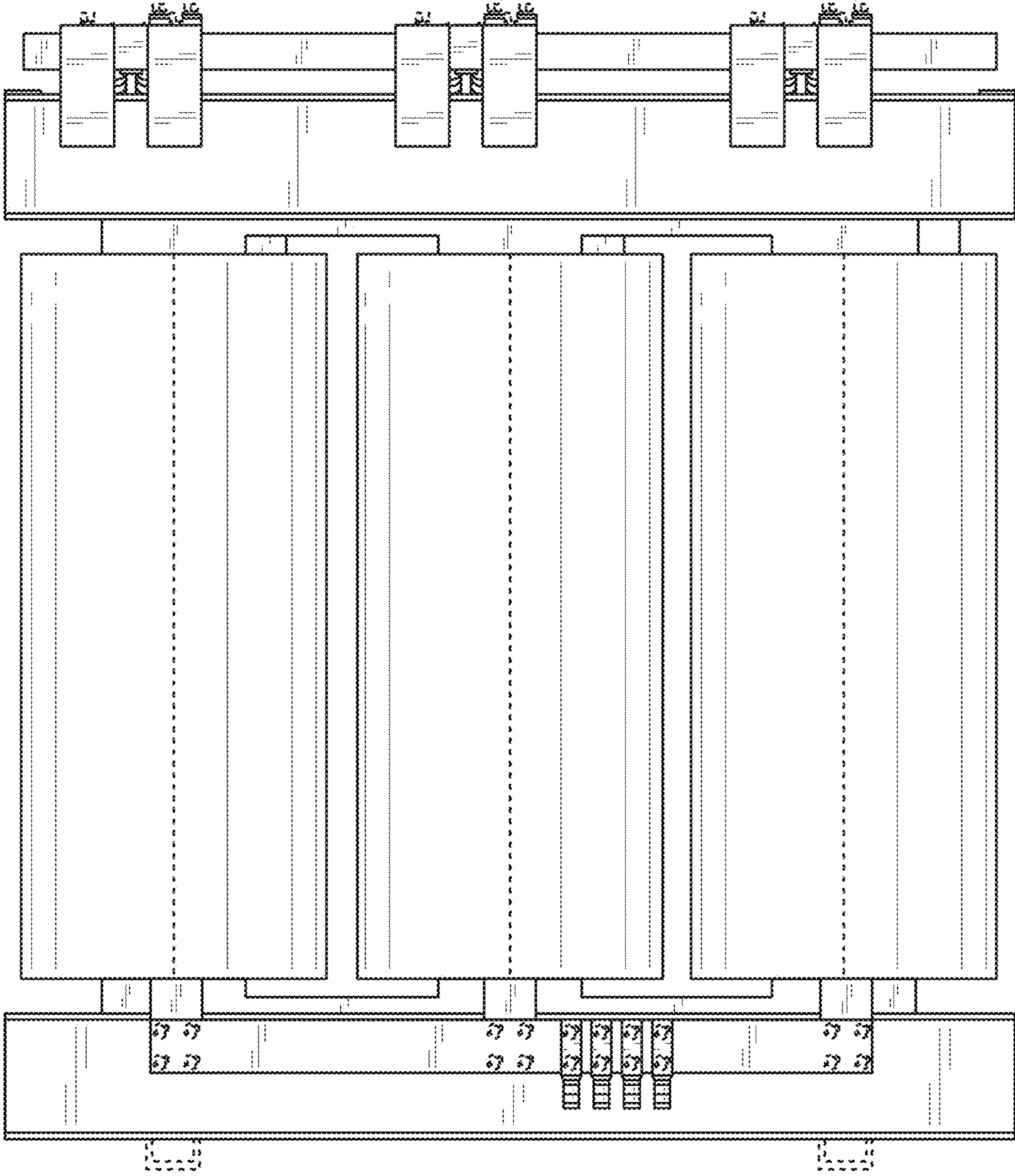


FIG. 3

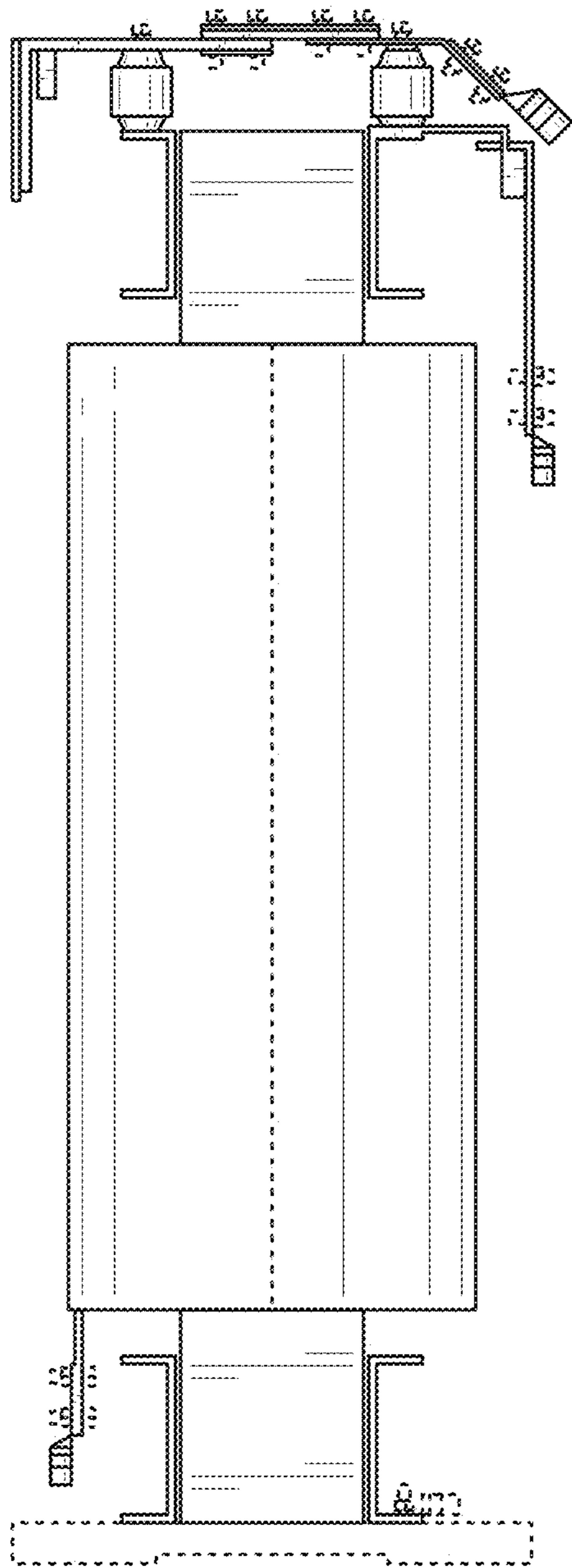


FIG. 4

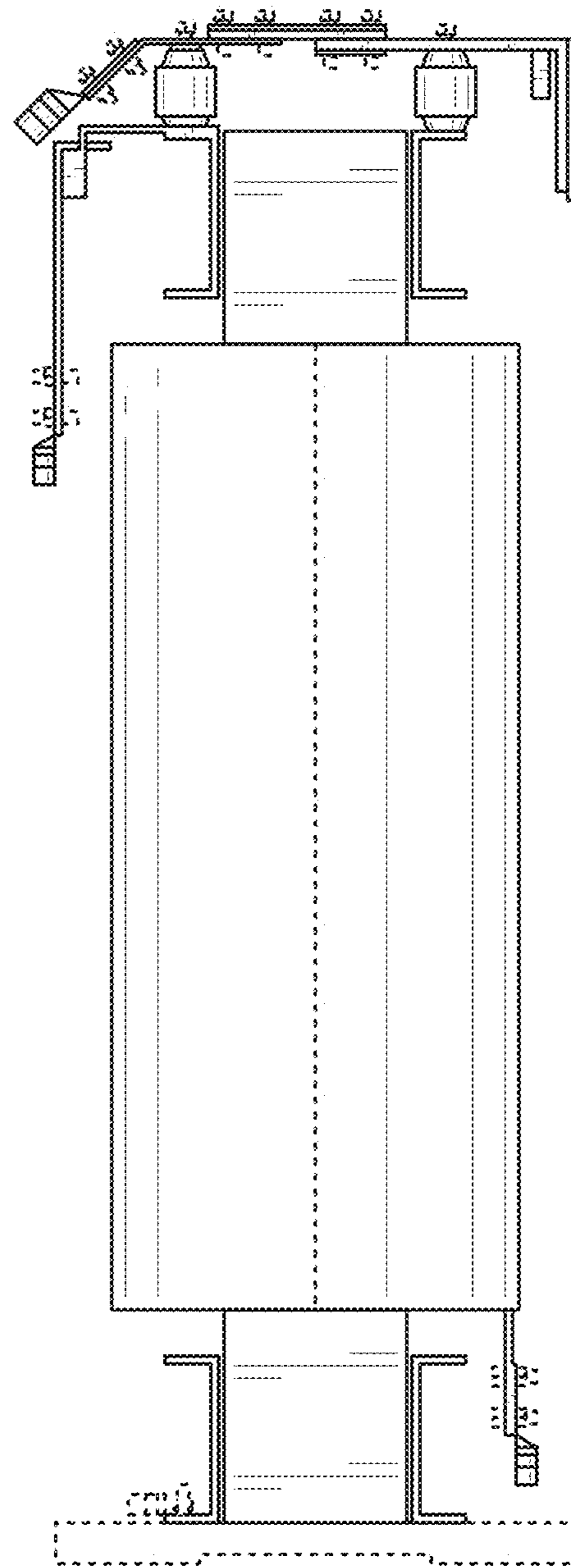


FIG. 5

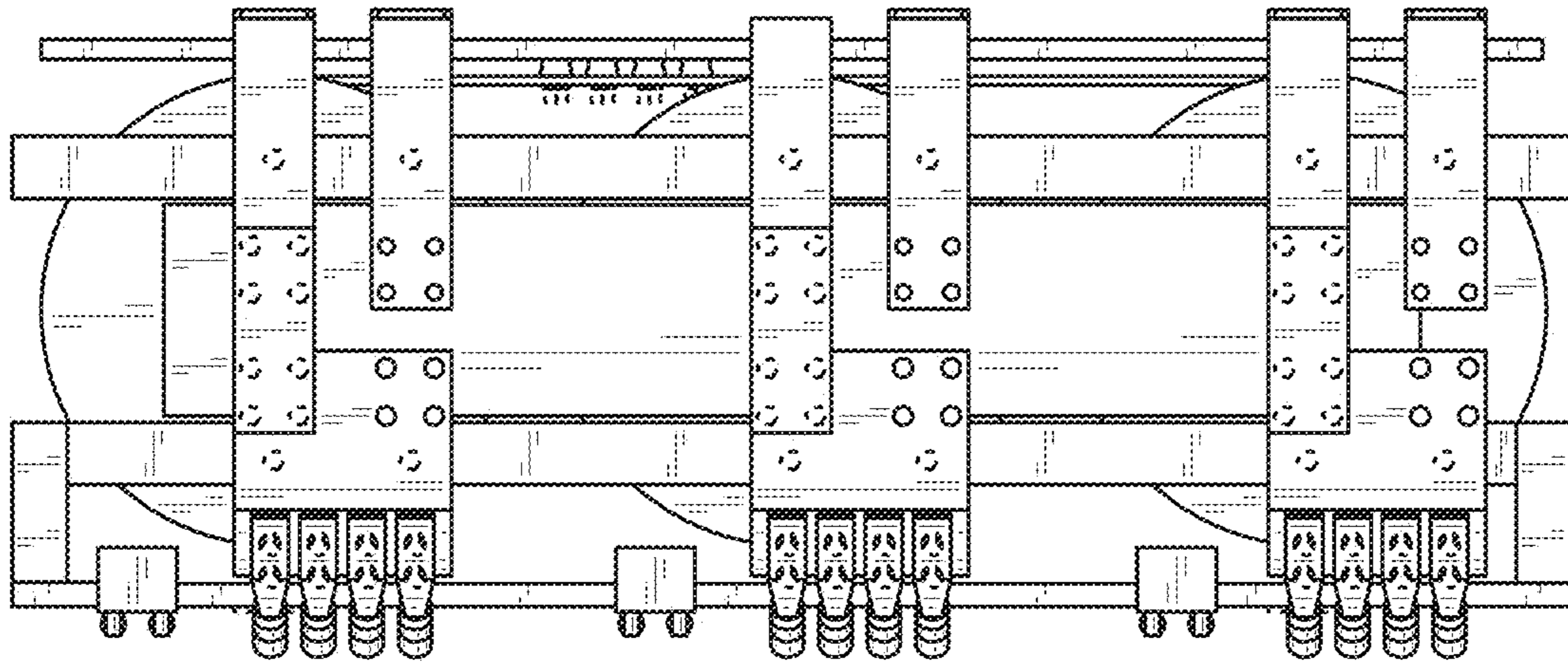


FIG. 6

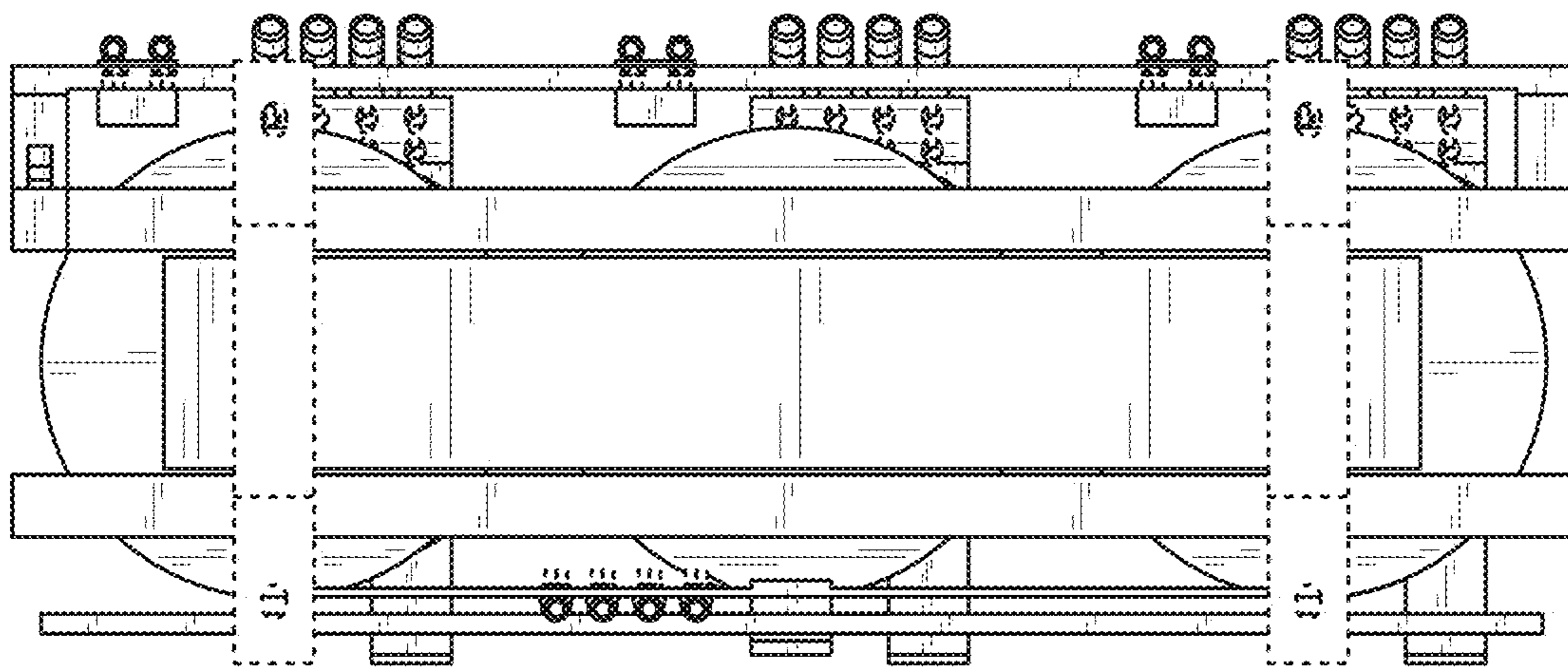


FIG. 7

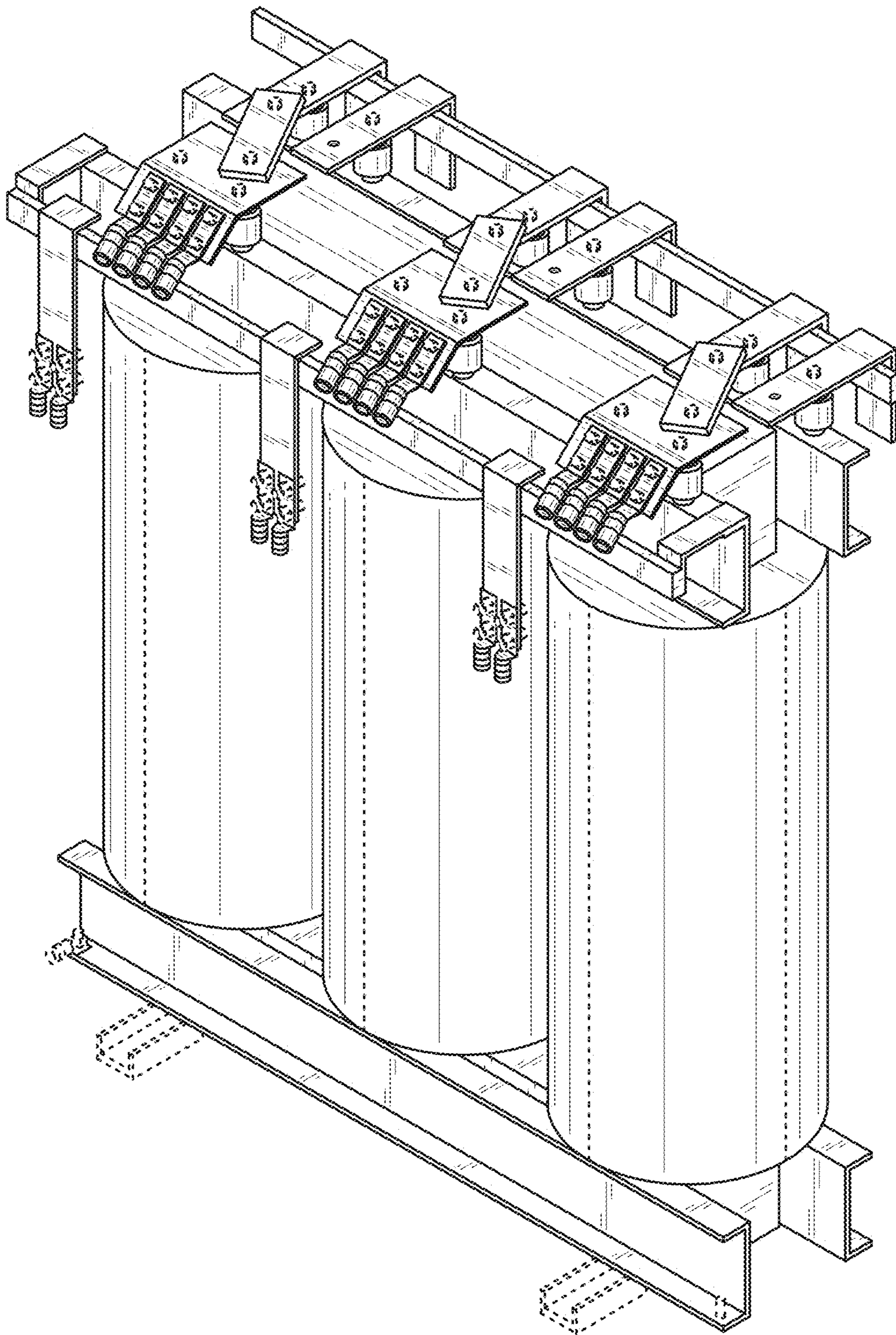


FIG. 8

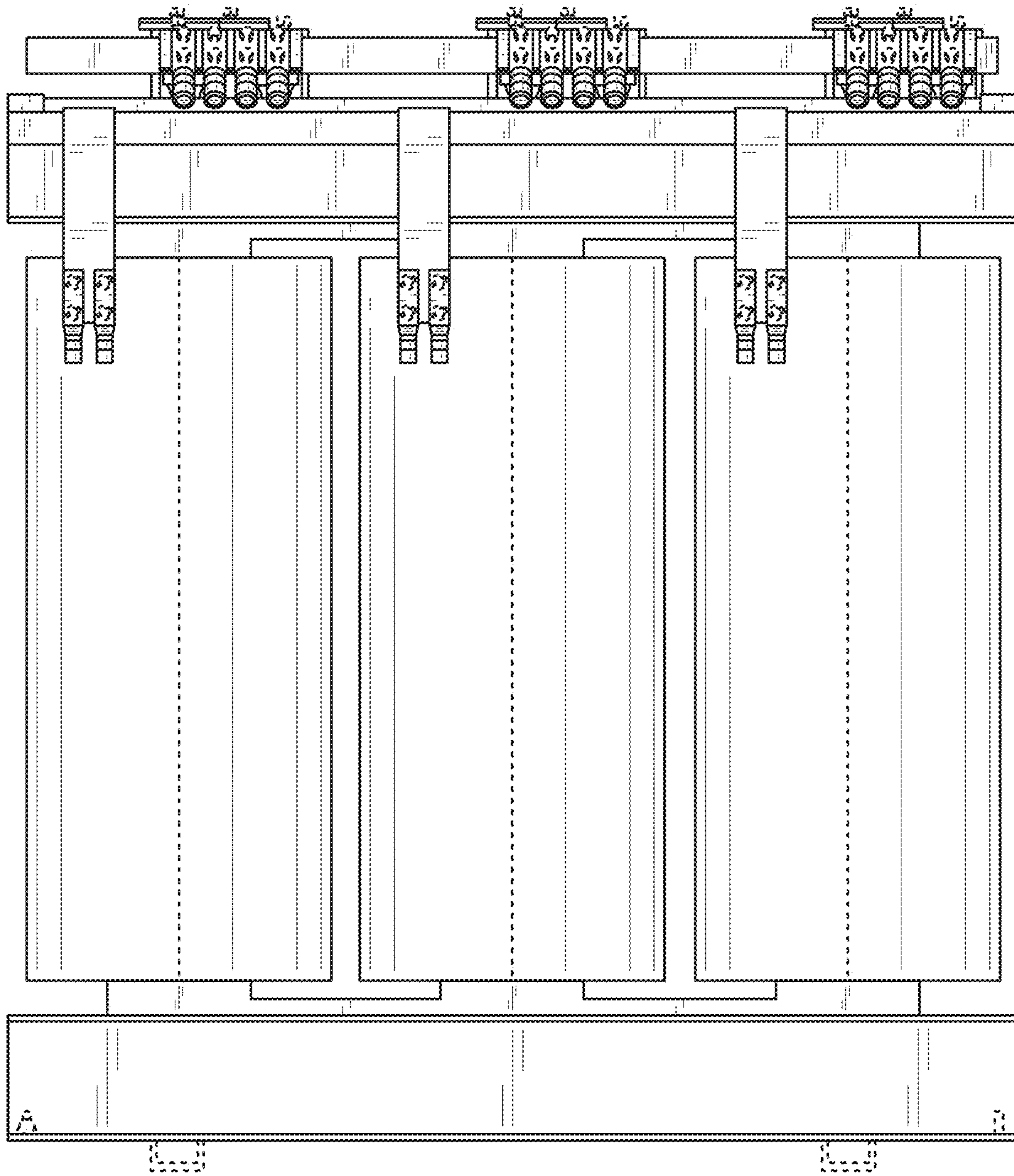


FIG. 9

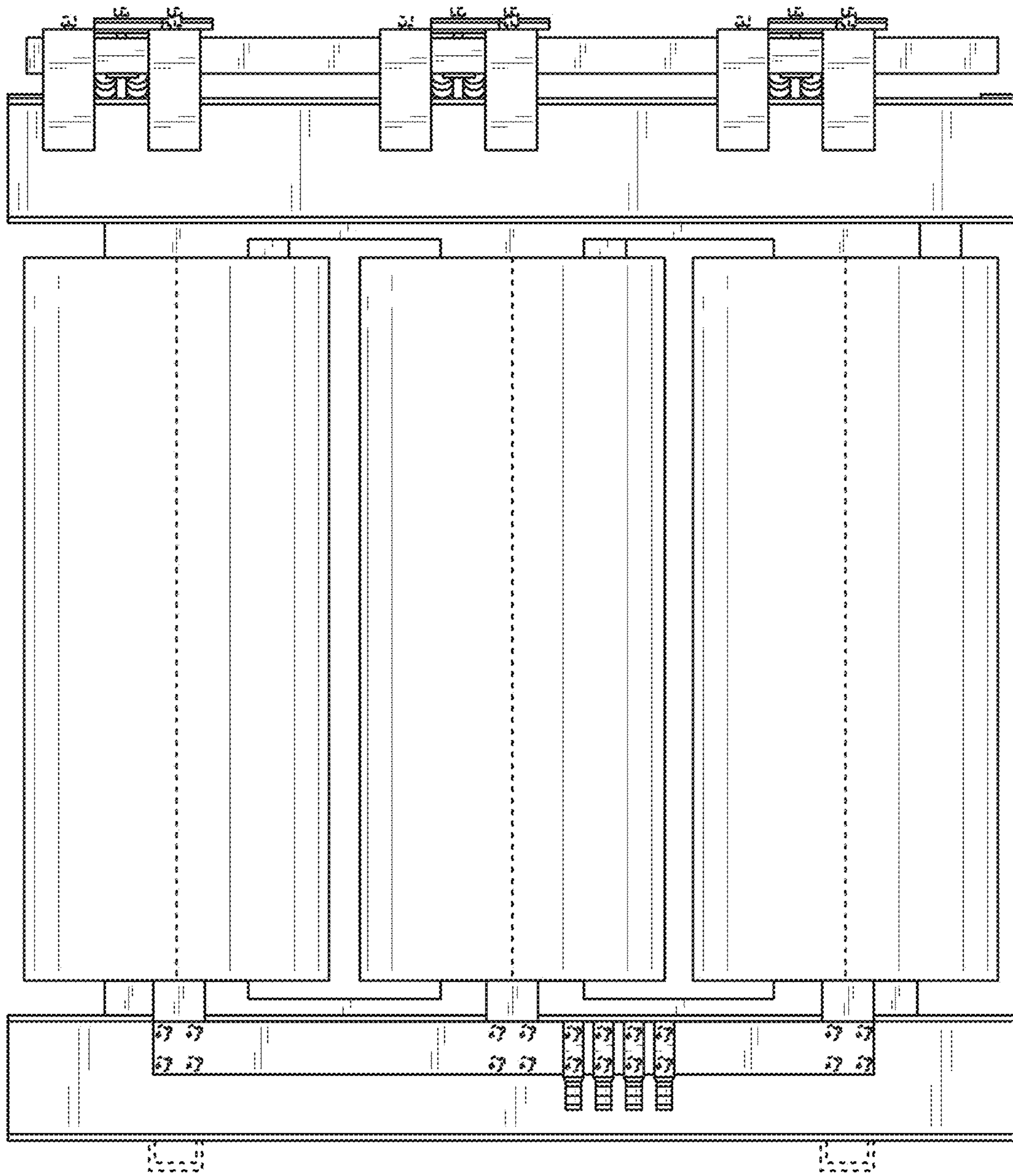


FIG. 10

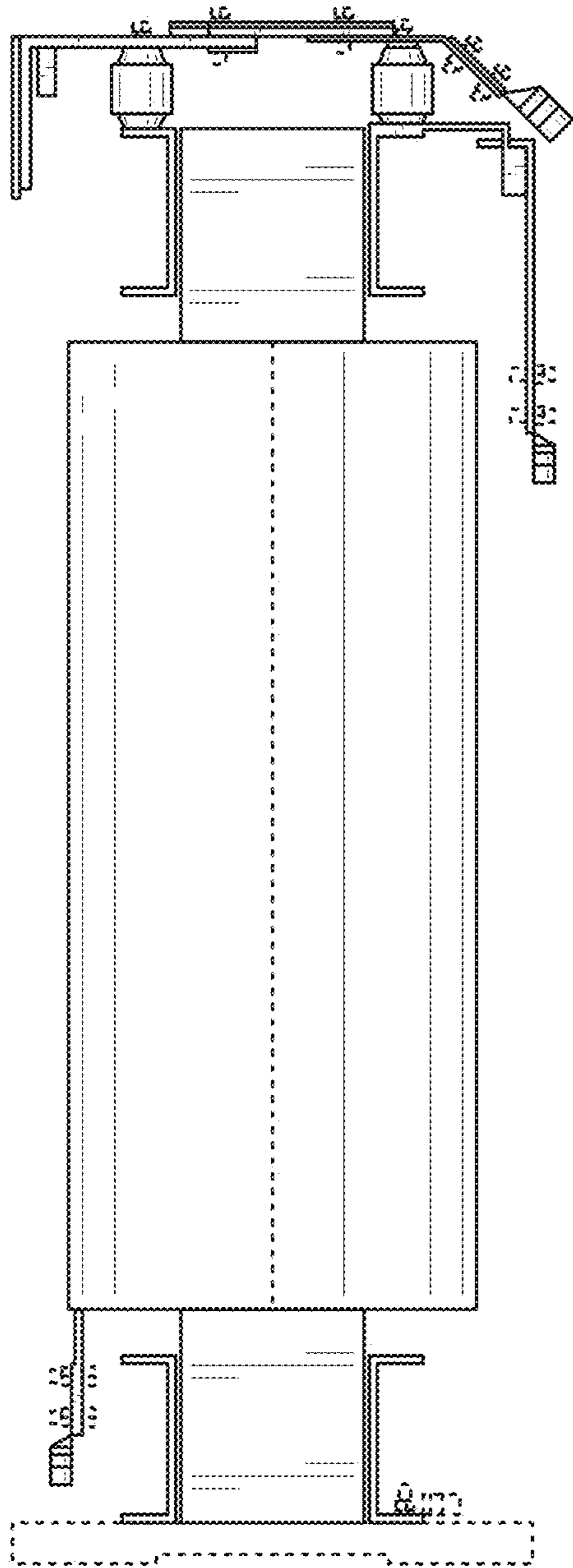


FIG. 11

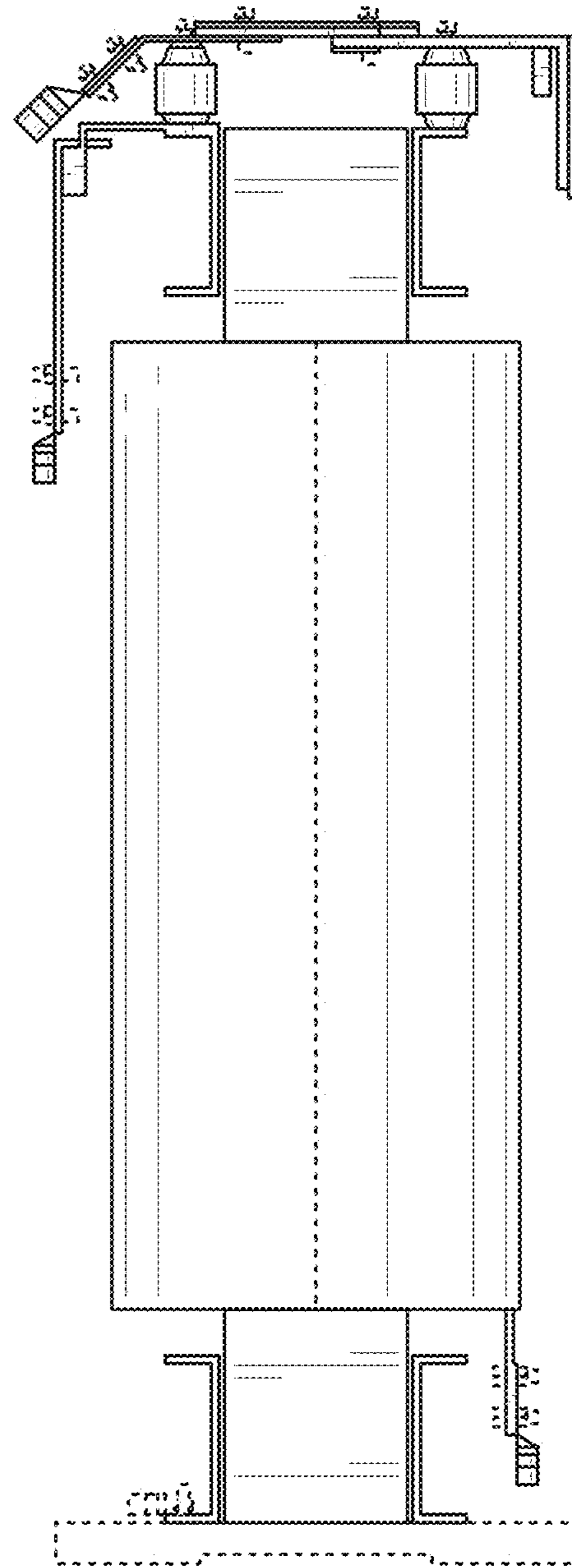


FIG. 12

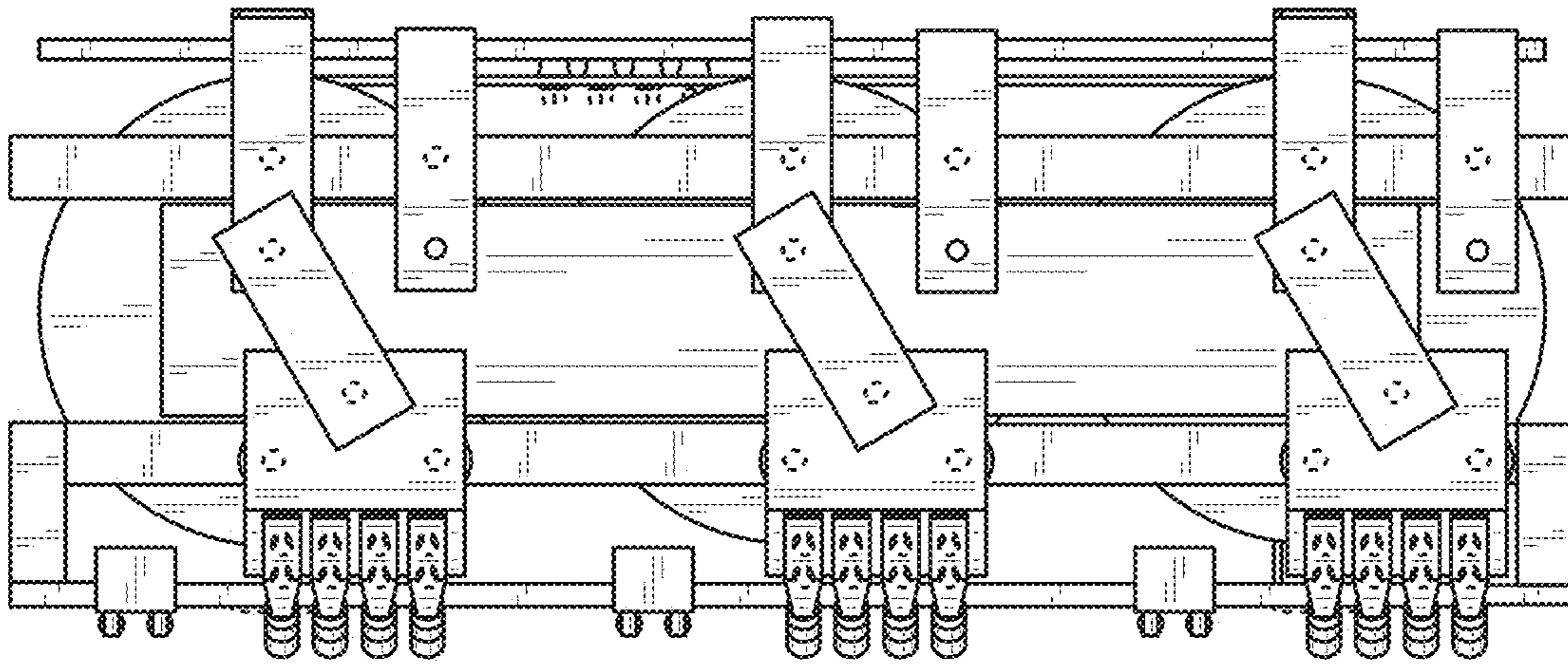


FIG. 13

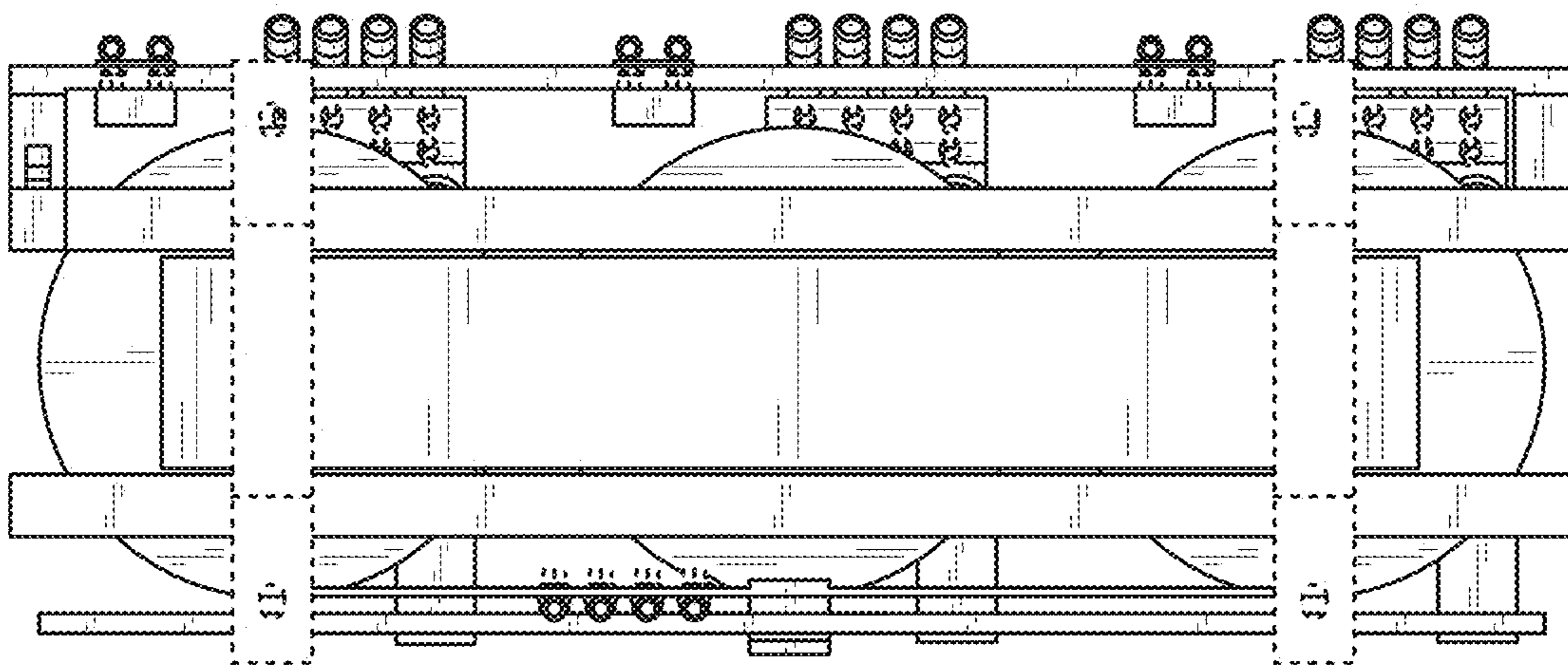


FIG. 14

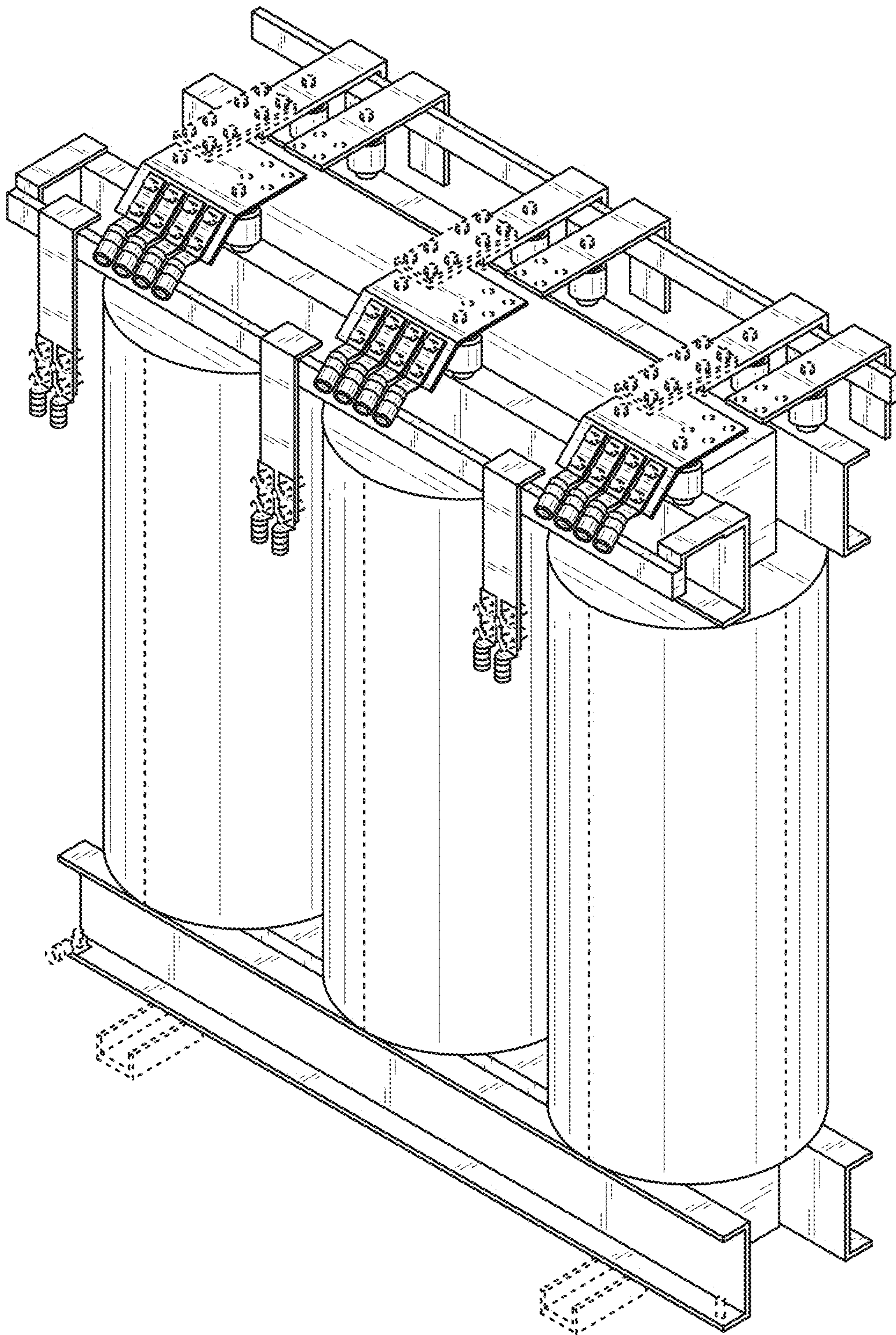


FIG. 15

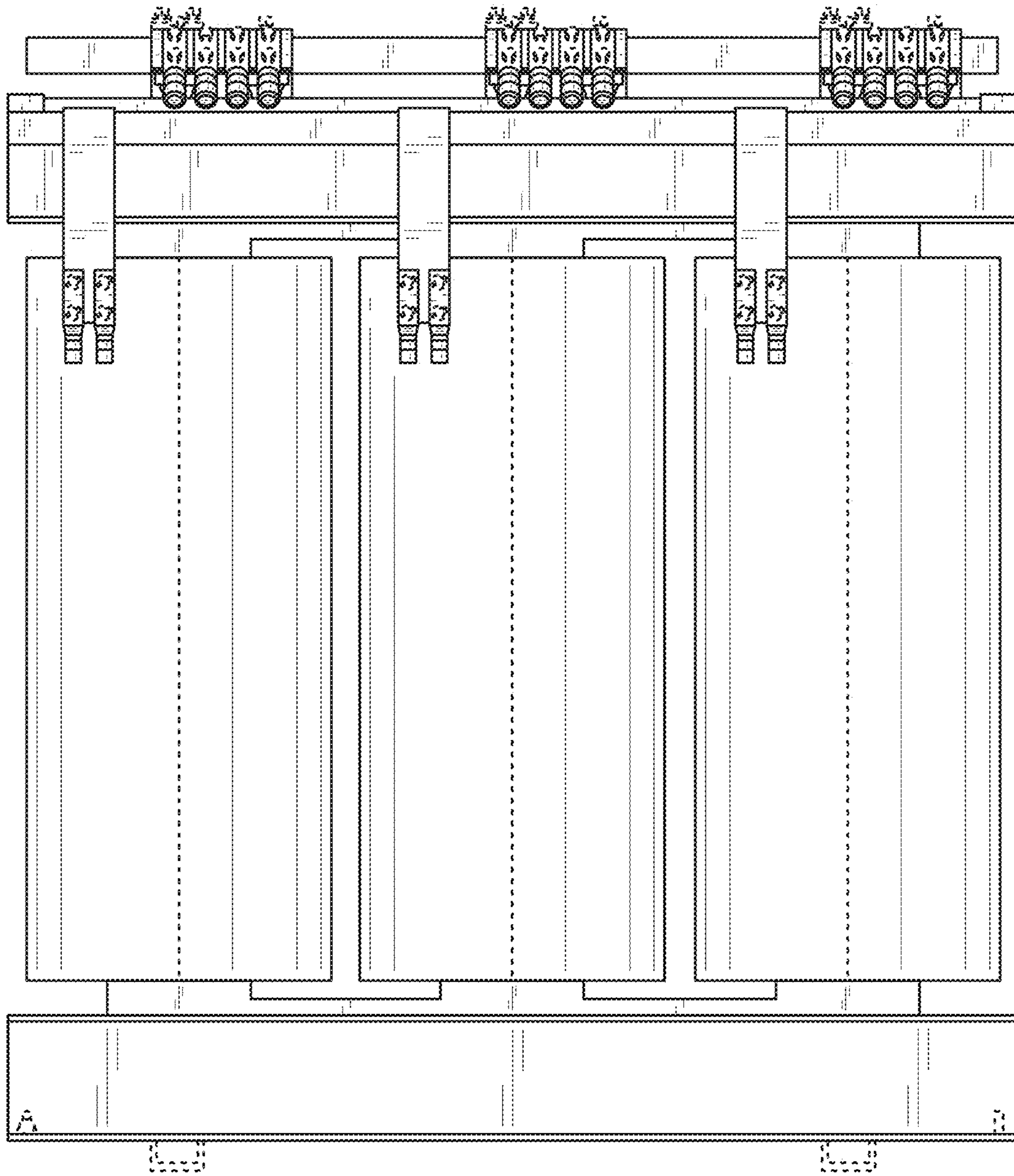


FIG. 16

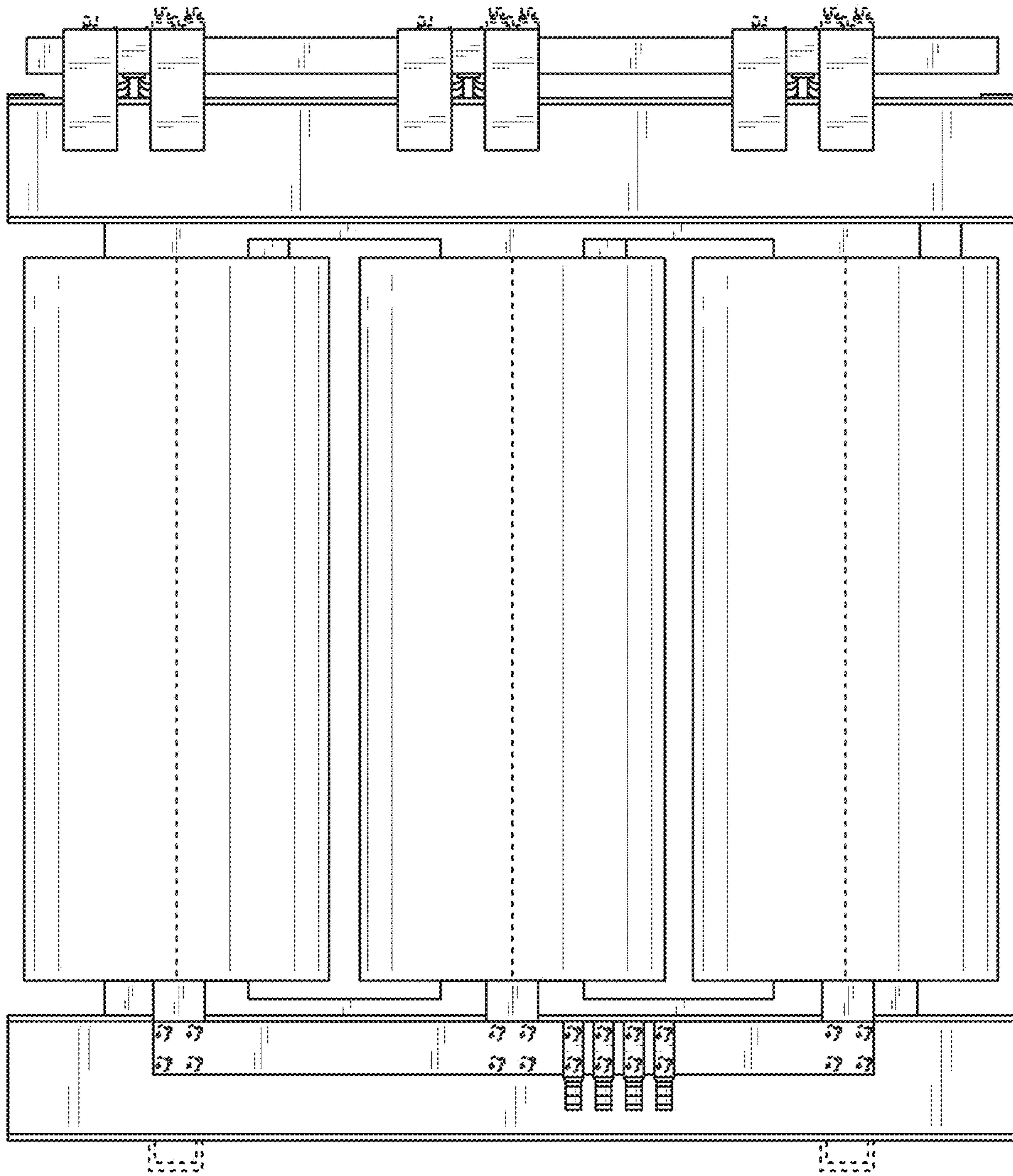


FIG. 17

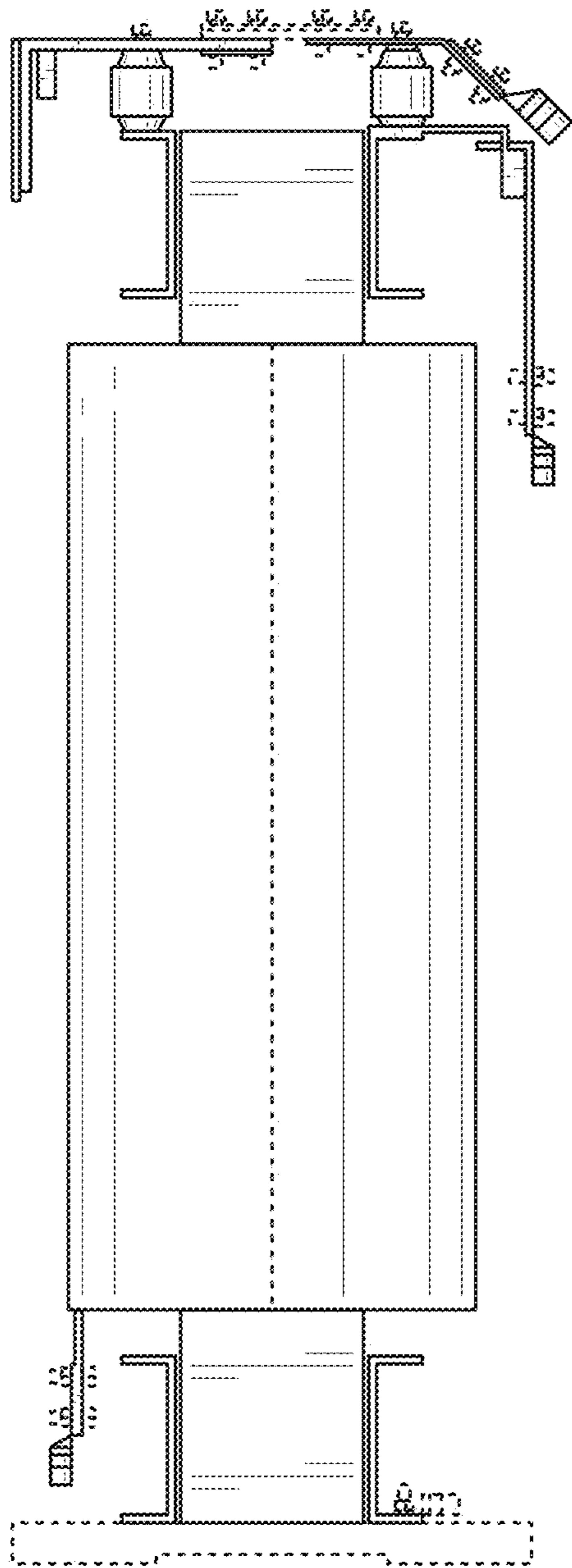


FIG. 18

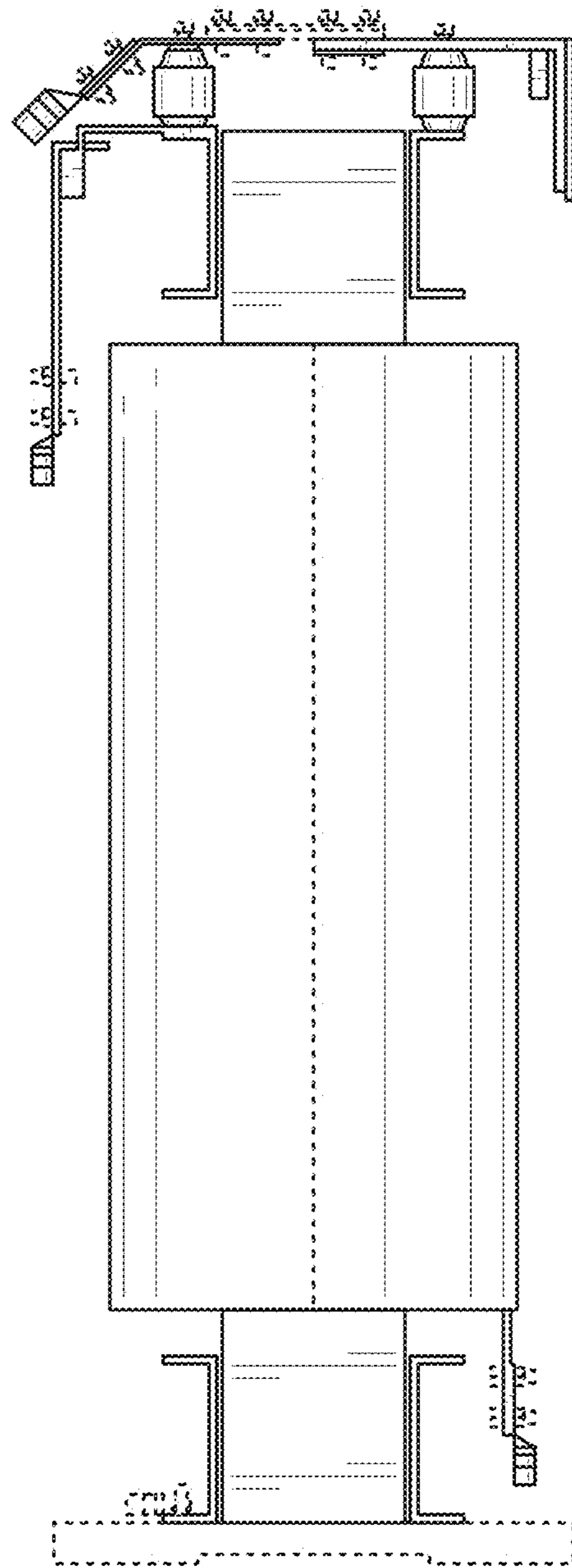


FIG. 19

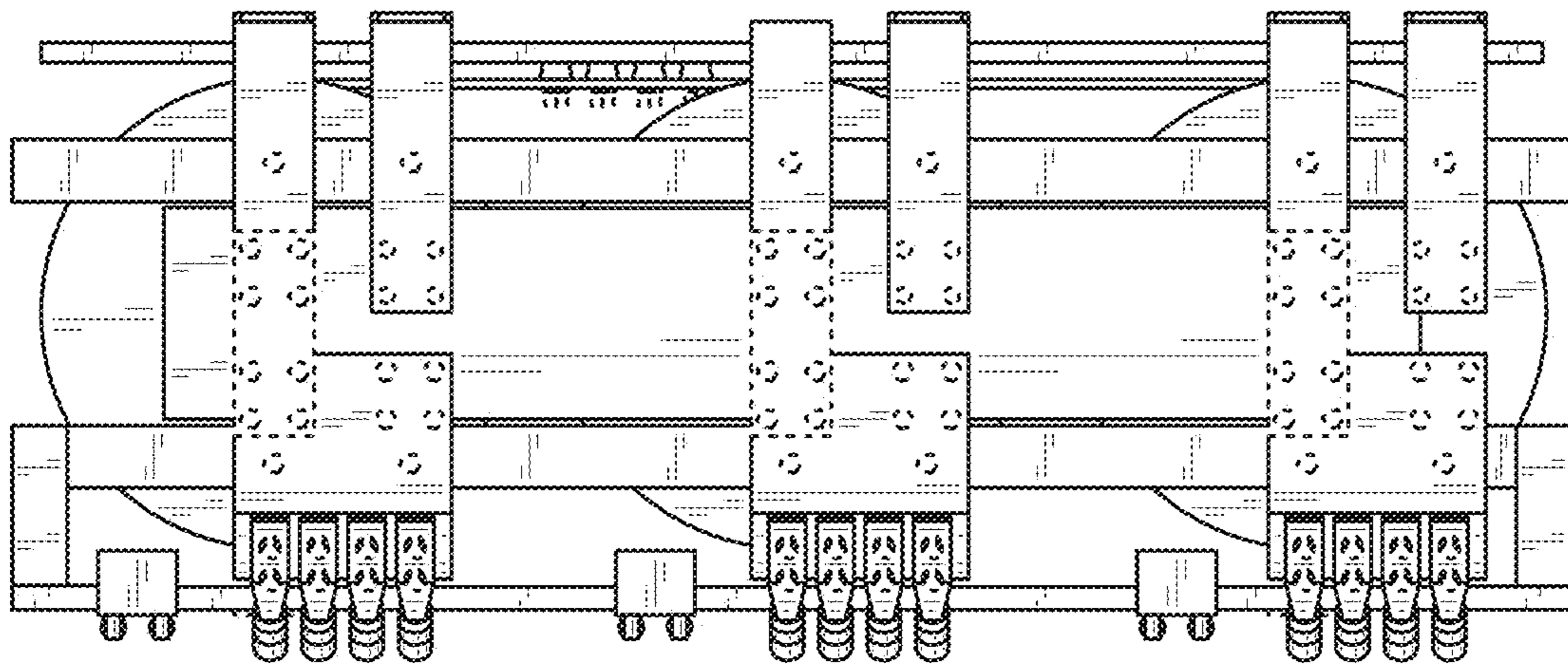


FIG. 20

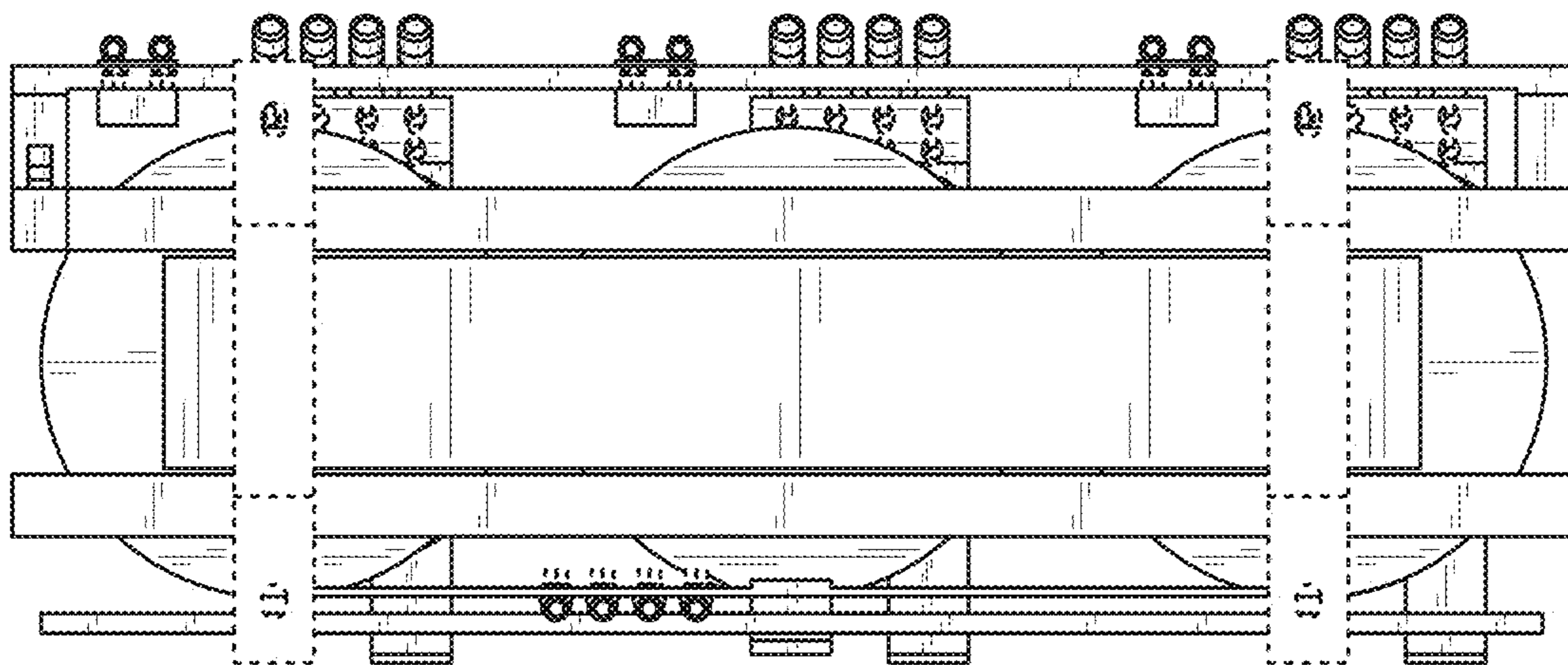


FIG. 21

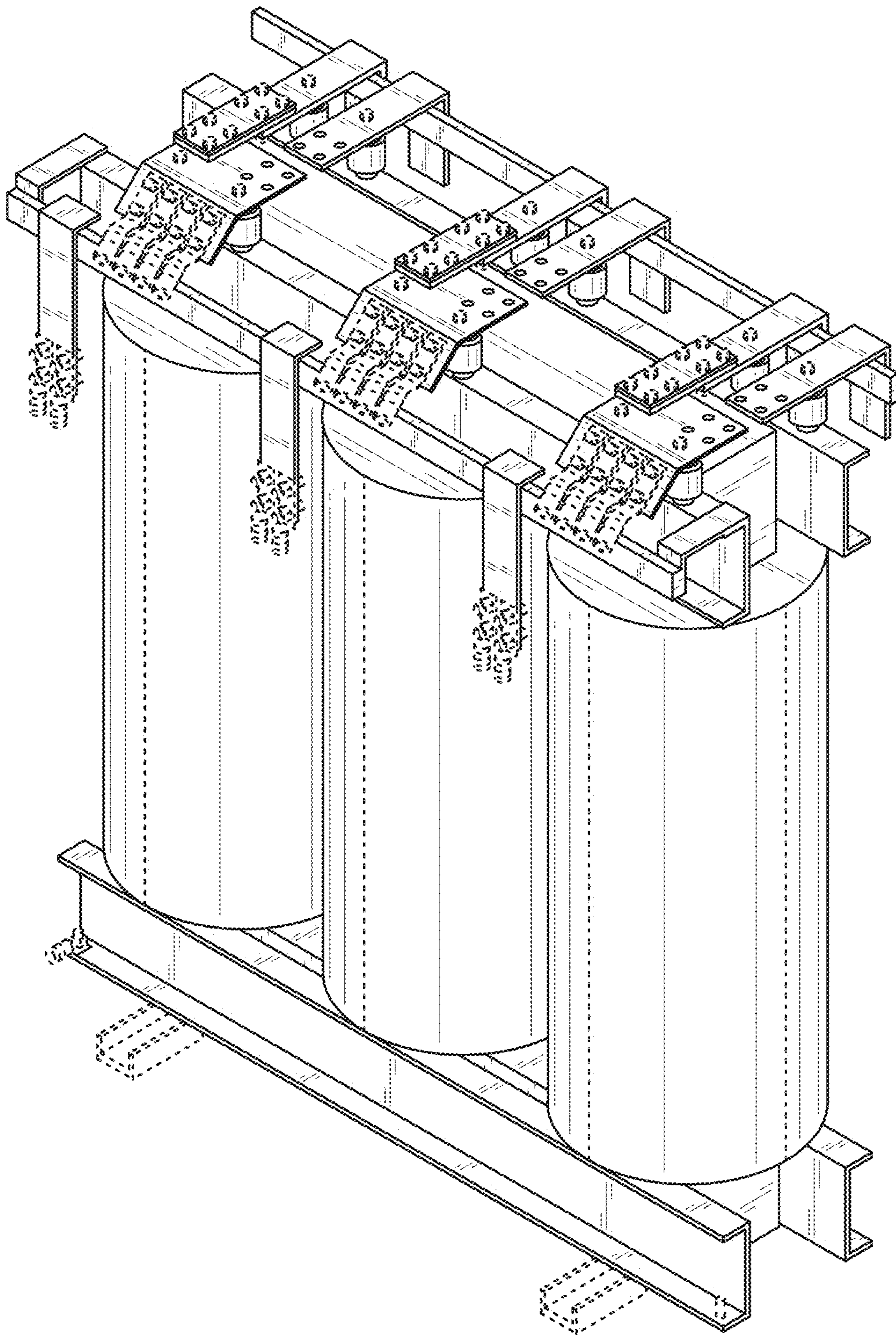


FIG. 22

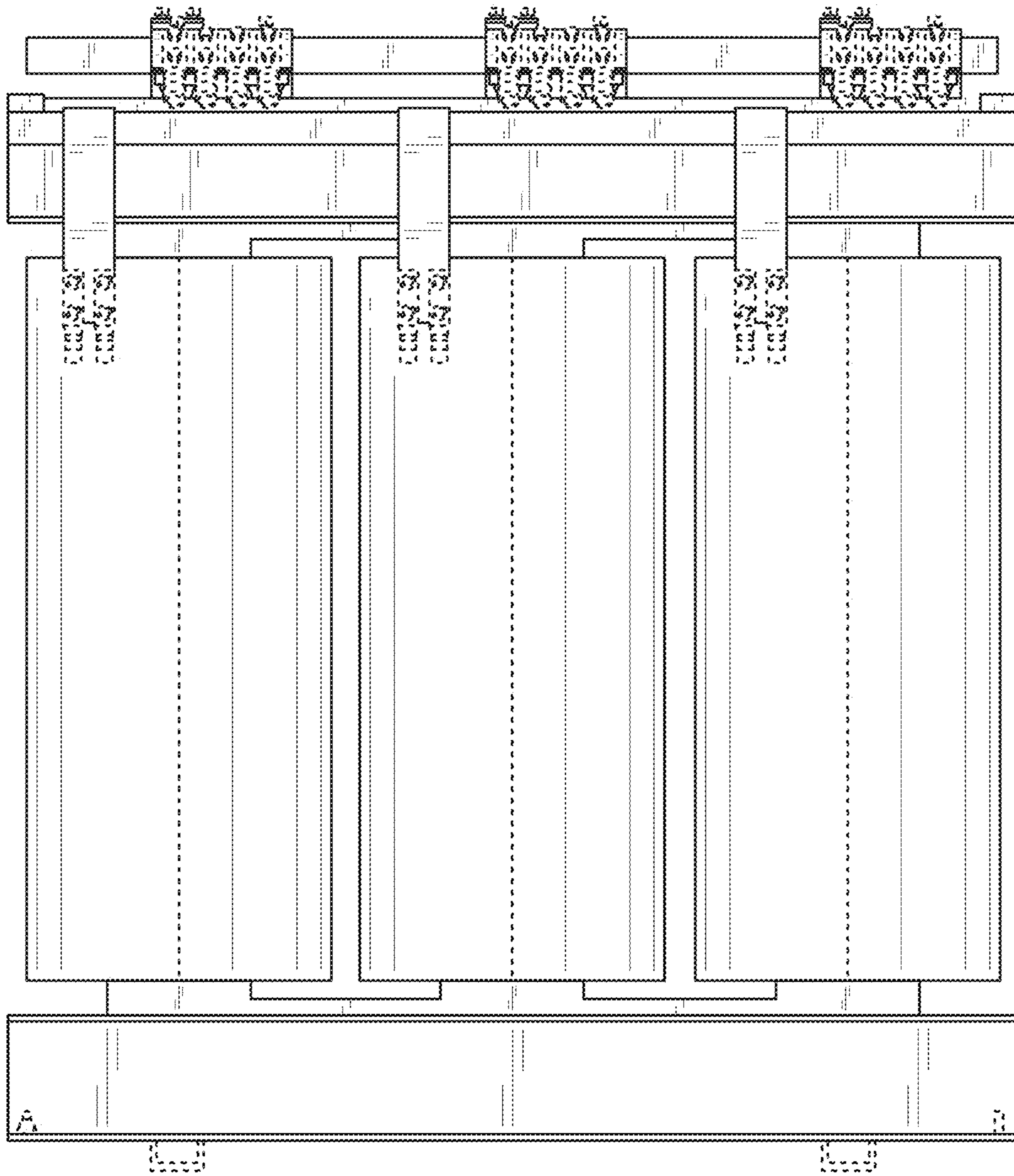


FIG. 23

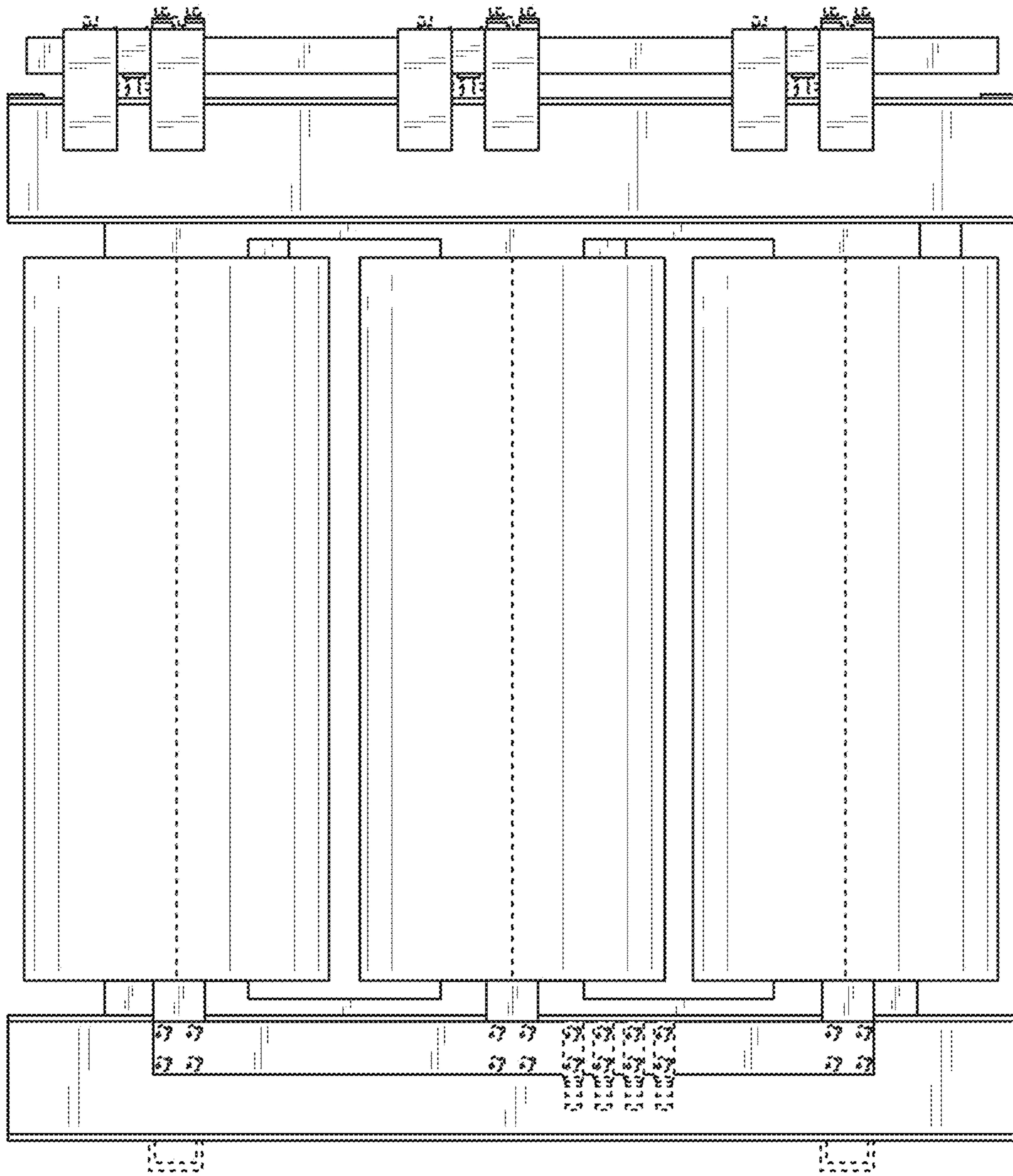


FIG. 24

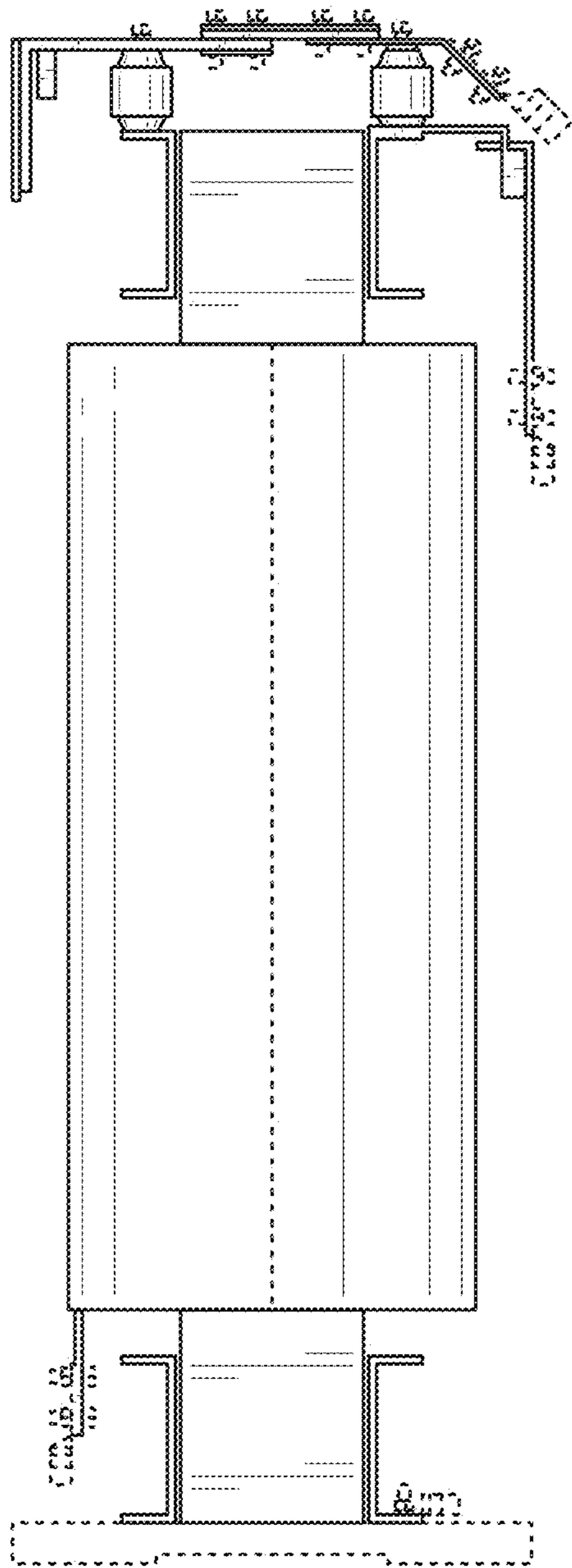


FIG. 25

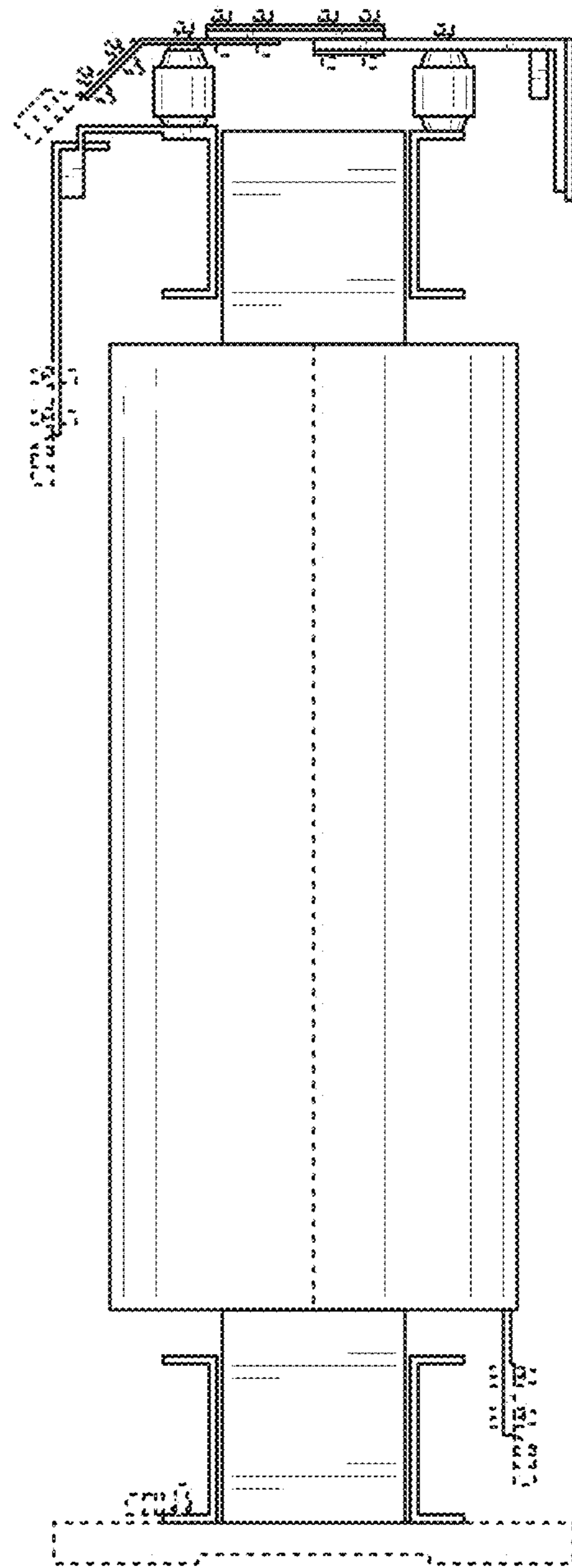


FIG. 26

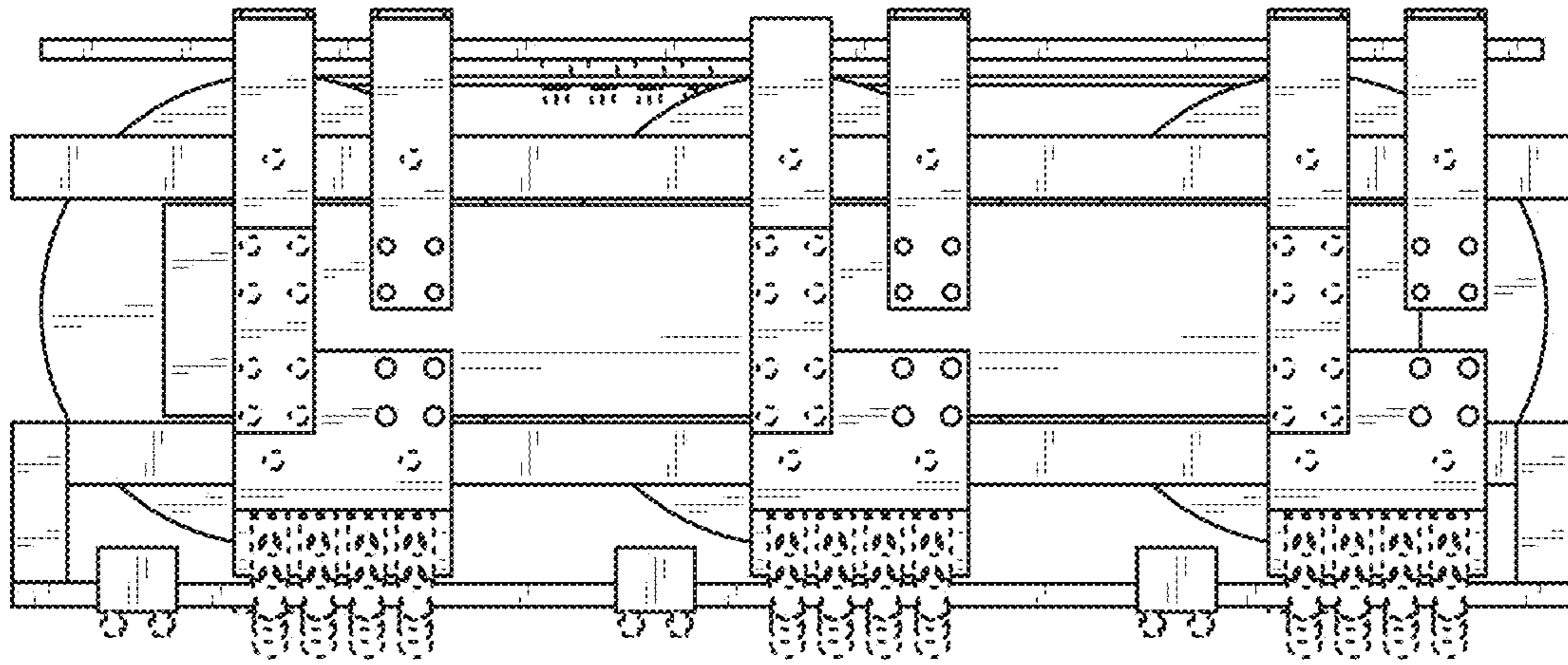


FIG. 27

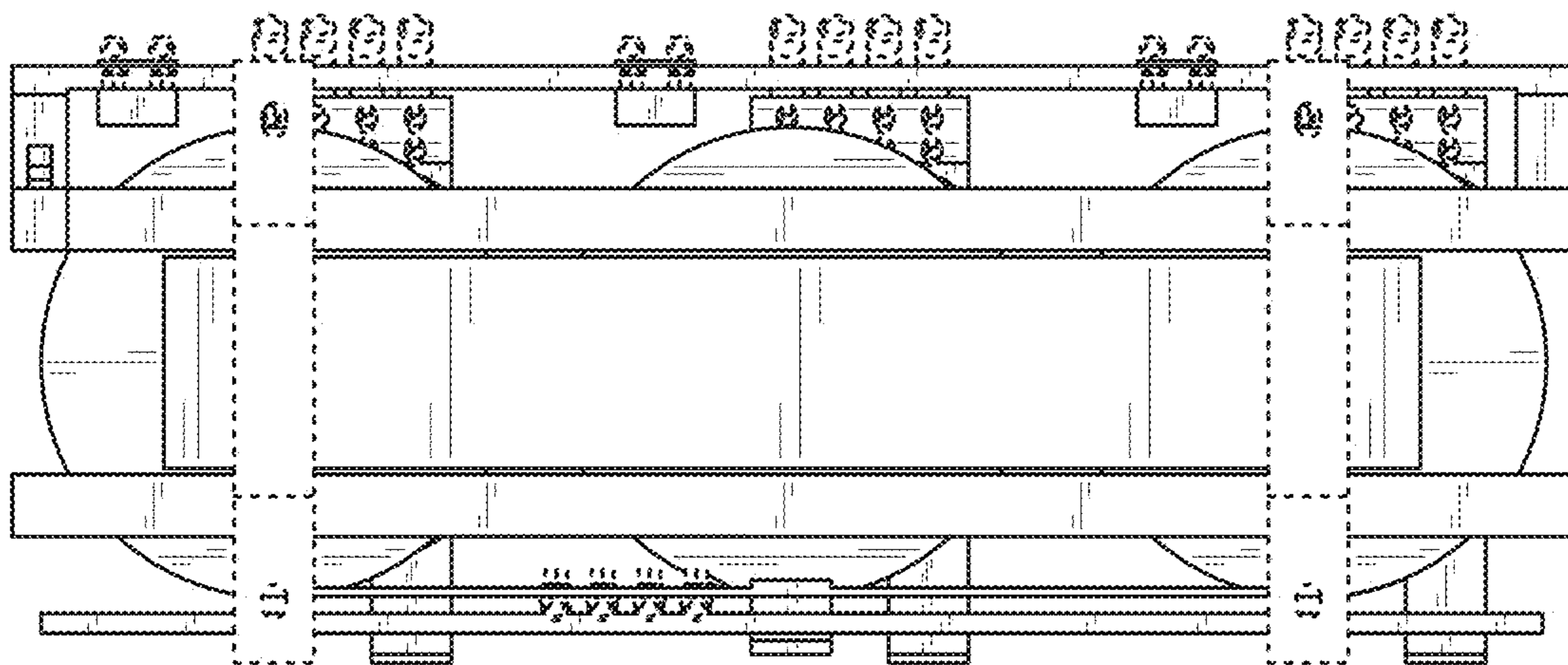


FIG. 28

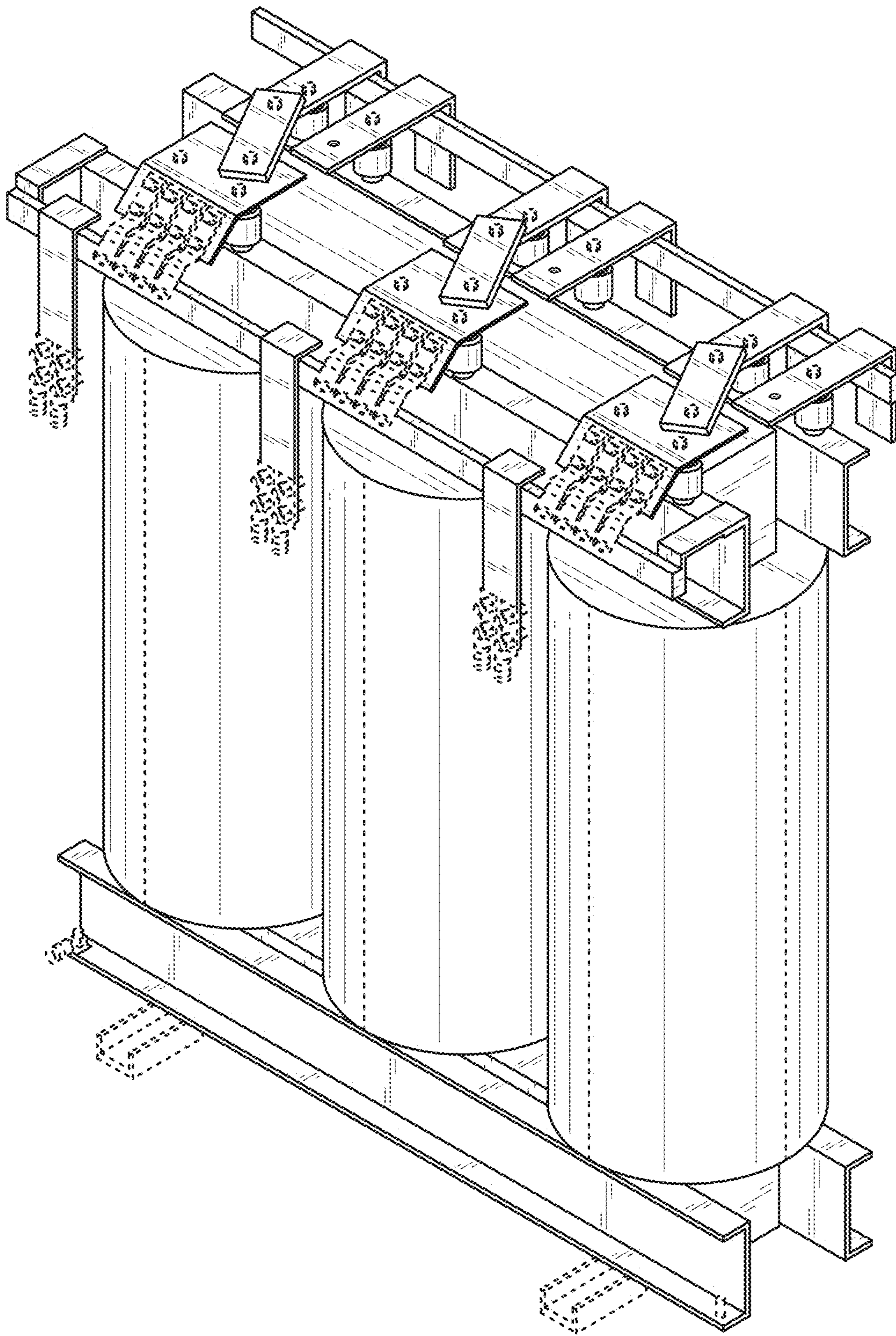


FIG. 29

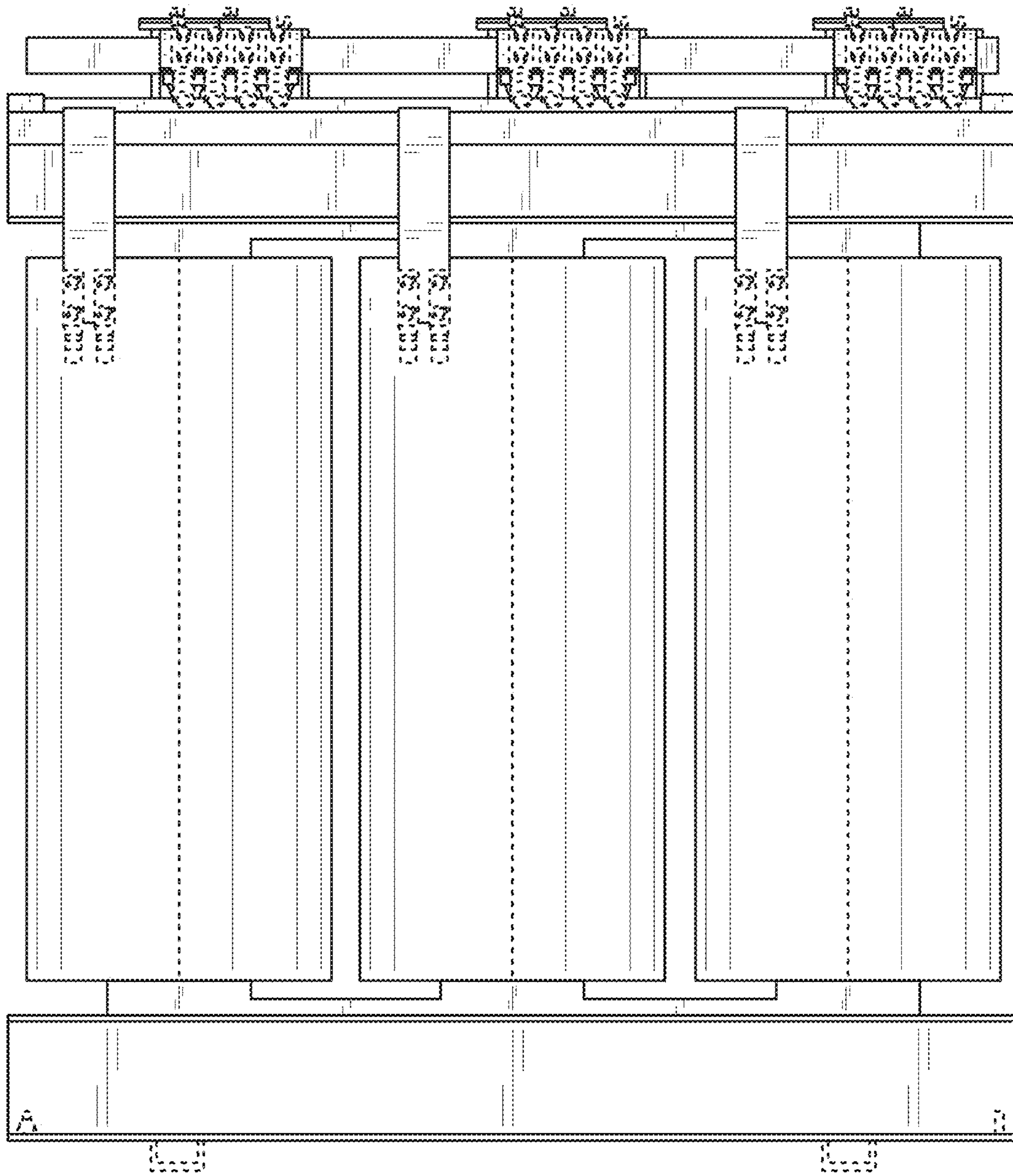


FIG. 30

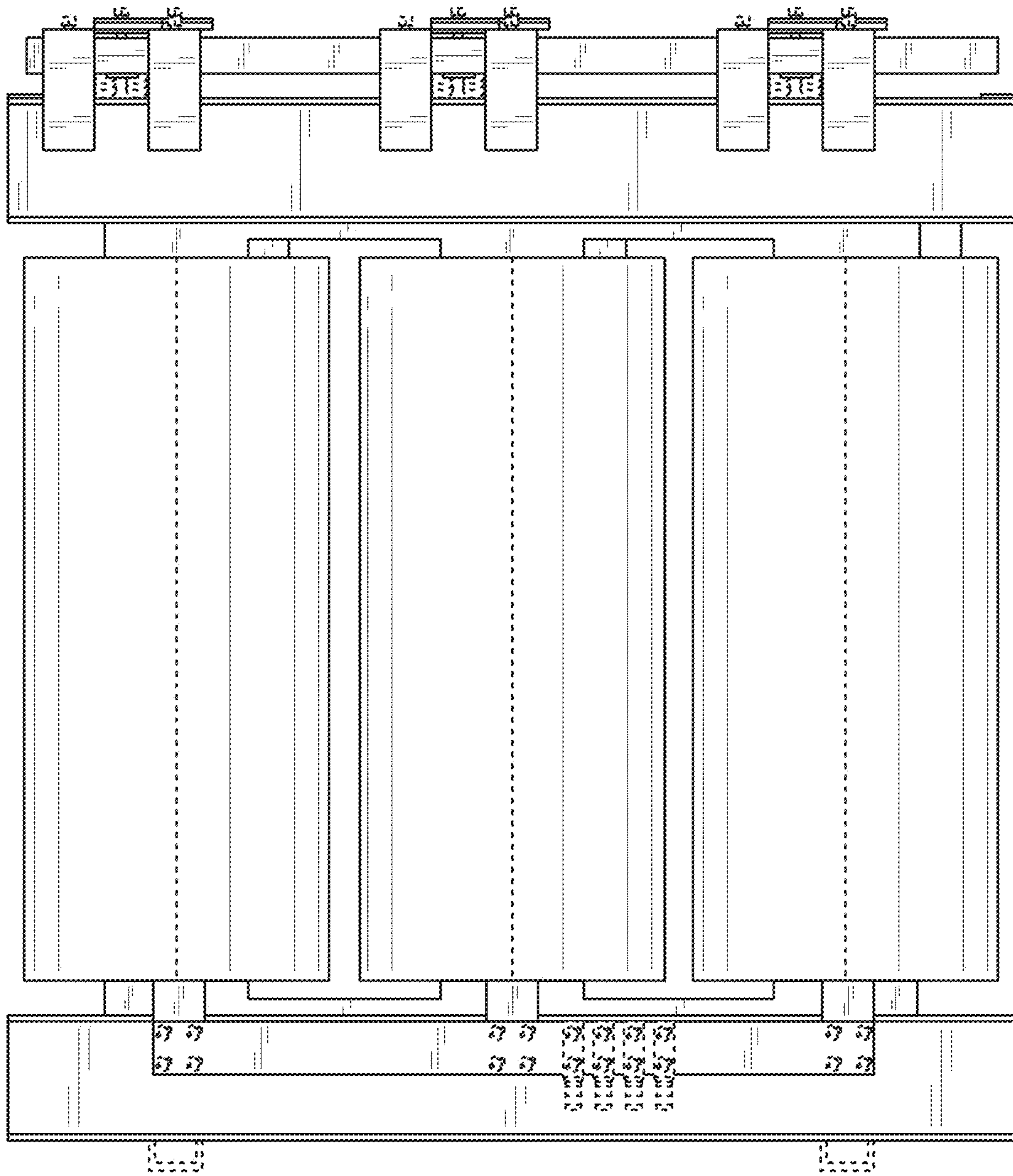


FIG. 31

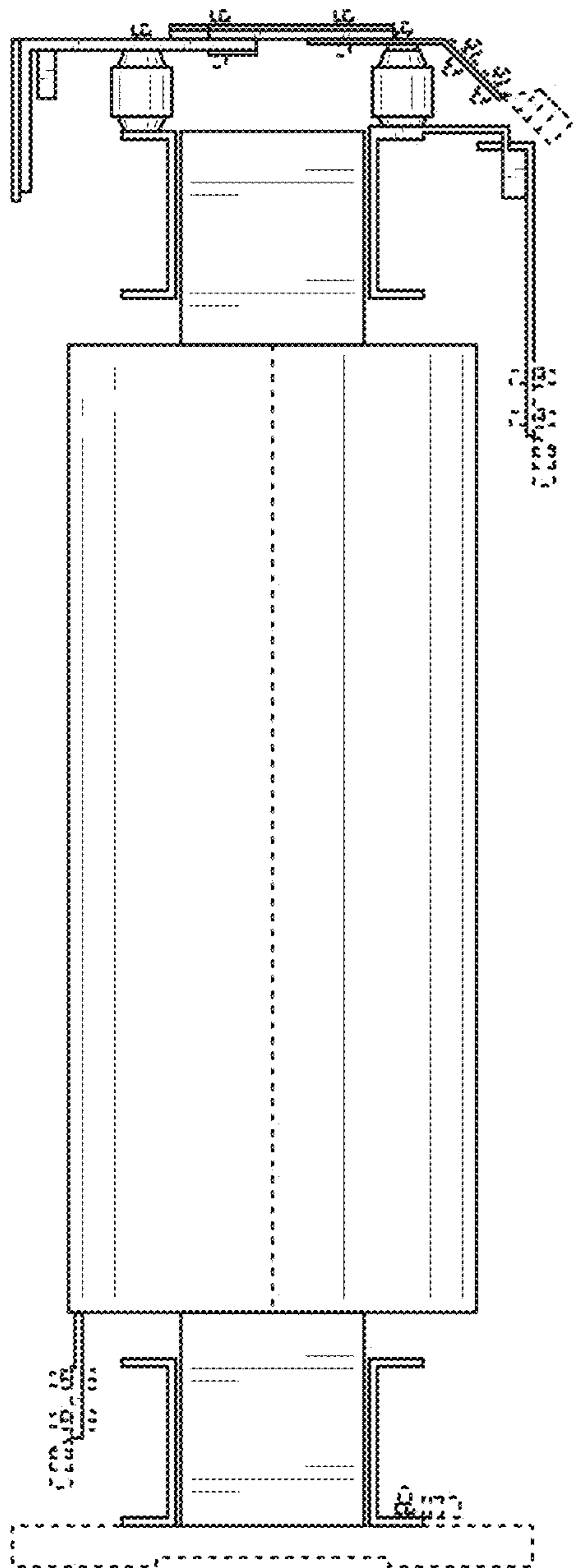


FIG. 32

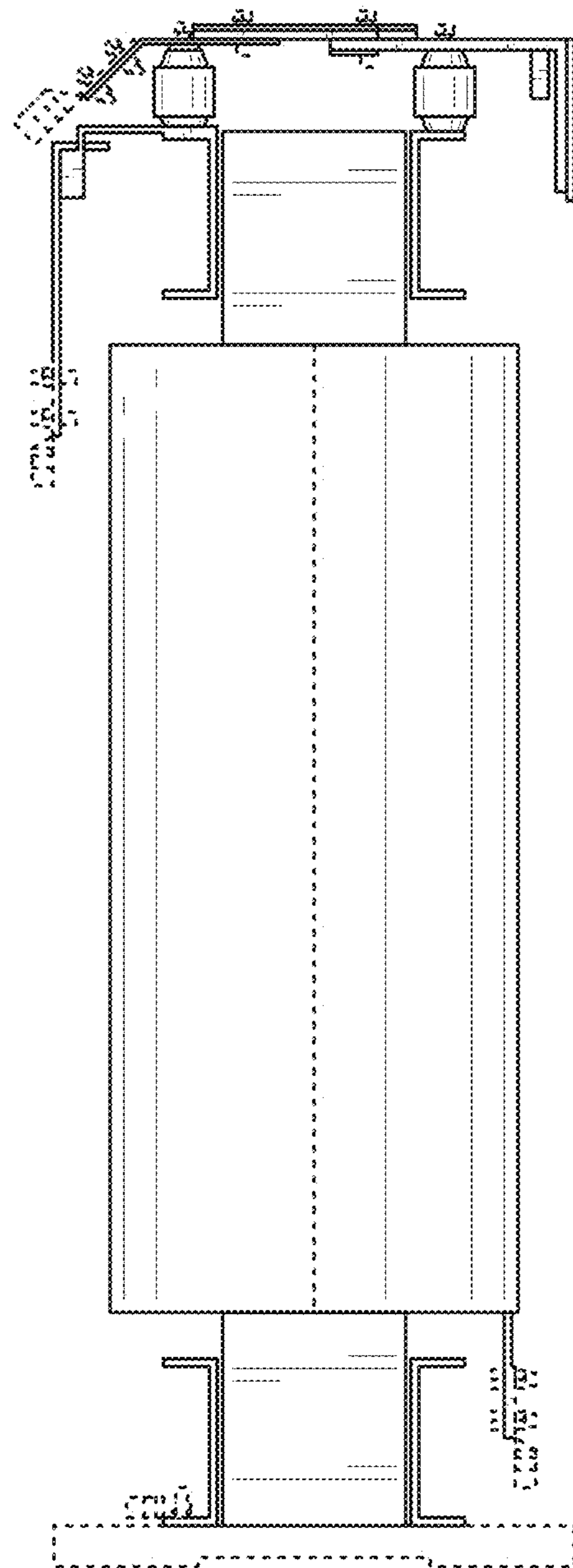


FIG. 33

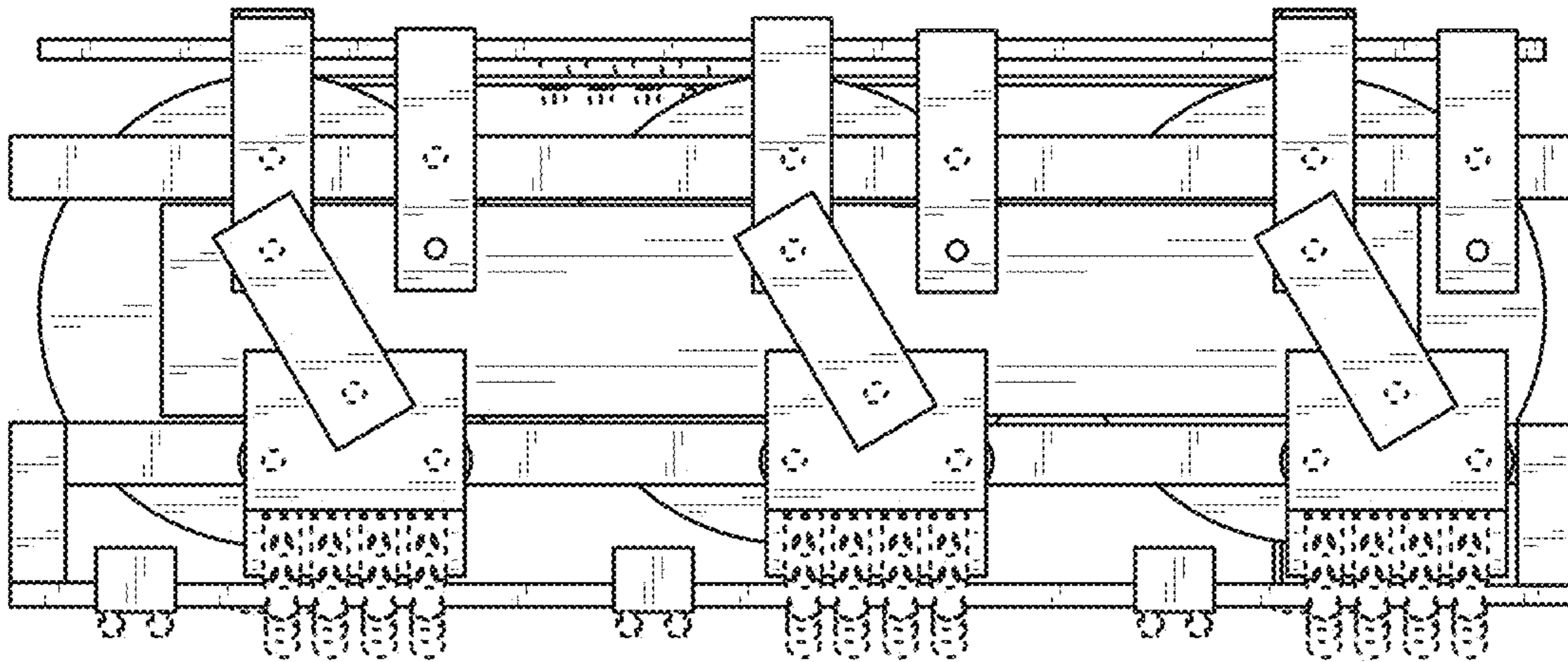


FIG. 34

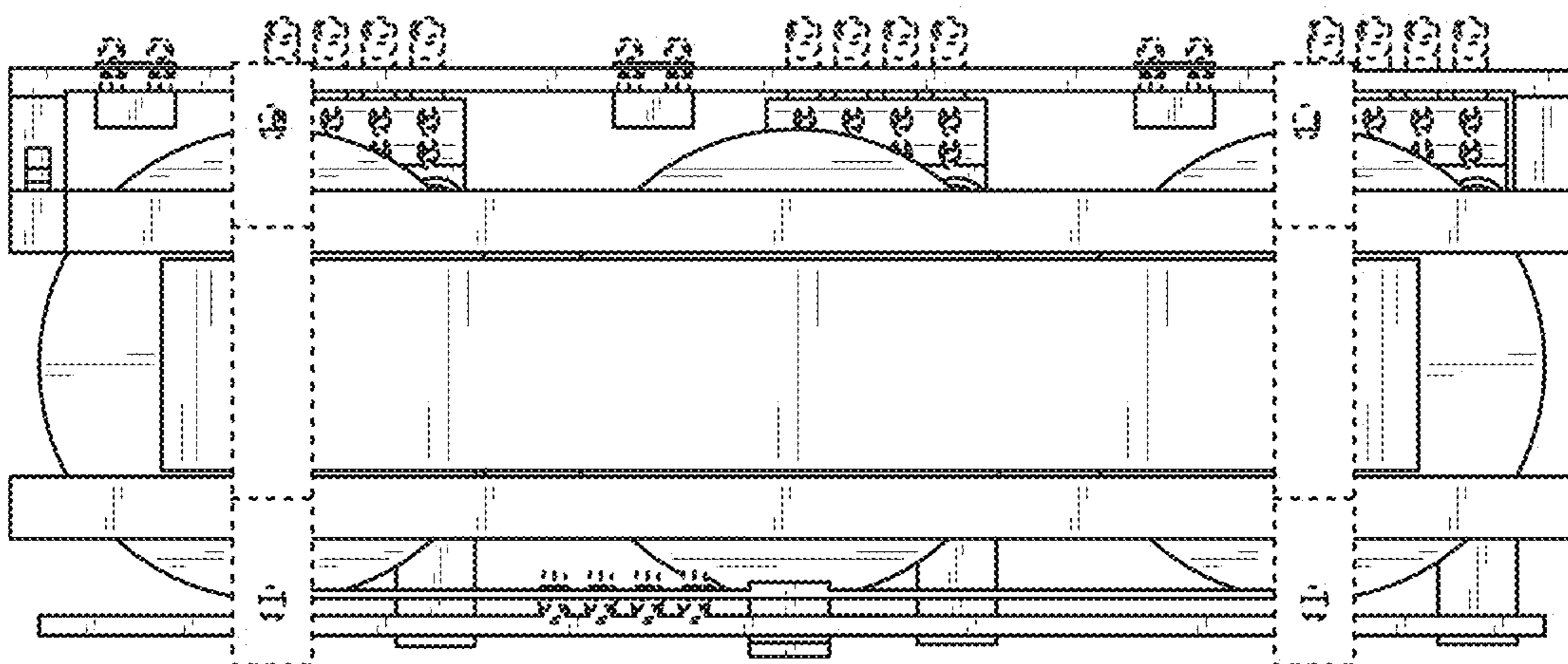


FIG. 35