



US00D904297S

(12) **United States Design Patent** (10) **Patent No.:** **US D904,297 S**  
**Zhao** (45) **Date of Patent:** **\*\* Dec. 8, 2020**

(54) **WIRELESS CHARGER**

(56) **References Cited**

(71) Applicant: **Shenzhen Itian Technology Co., Ltd.**,  
Shenzhen (CN)

U.S. PATENT DOCUMENTS

(72) Inventor: **Jiankun Zhao**, Shenzhen (CN)

D456,024 S *	4/2002	Richter	.....	D14/434
D685,380 S *	7/2013	Richter	.....	D14/253
D705,211 S *	5/2014	Huang	.....	D14/253
D750,612 S *	3/2016	Chen	.....	D14/253
D784,923 S *	4/2017	Song	.....	D13/108
D832,248 S *	10/2018	Sukphist	.....	D14/253
D858,509 S *	9/2019	Yao	.....	D14/253
D859,393 S *	9/2019	Dang	.....	D14/253
D862,454 S *	10/2019	Chun	.....	D14/253
D872,014 S *	1/2020	Zhang	.....	D13/108
D875,090 S *	2/2020	Leeds-Frank	.....	D14/253
D877,066 S *	3/2020	Zhang	.....	D13/108
D879,766 S *	3/2020	Fan	.....	D14/253

(\*\*) Term: **15 Years**

(21) Appl. No.: **29/730,976**

(22) Filed: **Apr. 10, 2020**

**Related U.S. Application Data**

(63) Continuation-in-part of application No. 29/687,610,  
filed on Apr. 15, 2019, now Pat. No. Des. 895,544,  
and a continuation-in-part of application No.  
29/687,611, filed on Apr. 15, 2019, now abandoned.

\* cited by examiner

*Primary Examiner* — Nathaniel D. Buckner

(74) *Attorney, Agent, or Firm* — ZANIP

(30) **Foreign Application Priority Data**

Dec. 17, 2018 (CN) ..... 2018 3 0732976  
Dec. 28, 2018 (CN) ..... 2018 3 0767278

(57) **CLAIM**

(51) **LOC (12) Cl.** ..... **13-02**

The ornamental design for a wireless charger, as shown and described.

(52) **U.S. Cl.**

USPC ..... **D13/108**

(58) **Field of Classification Search**

**DESCRIPTION**

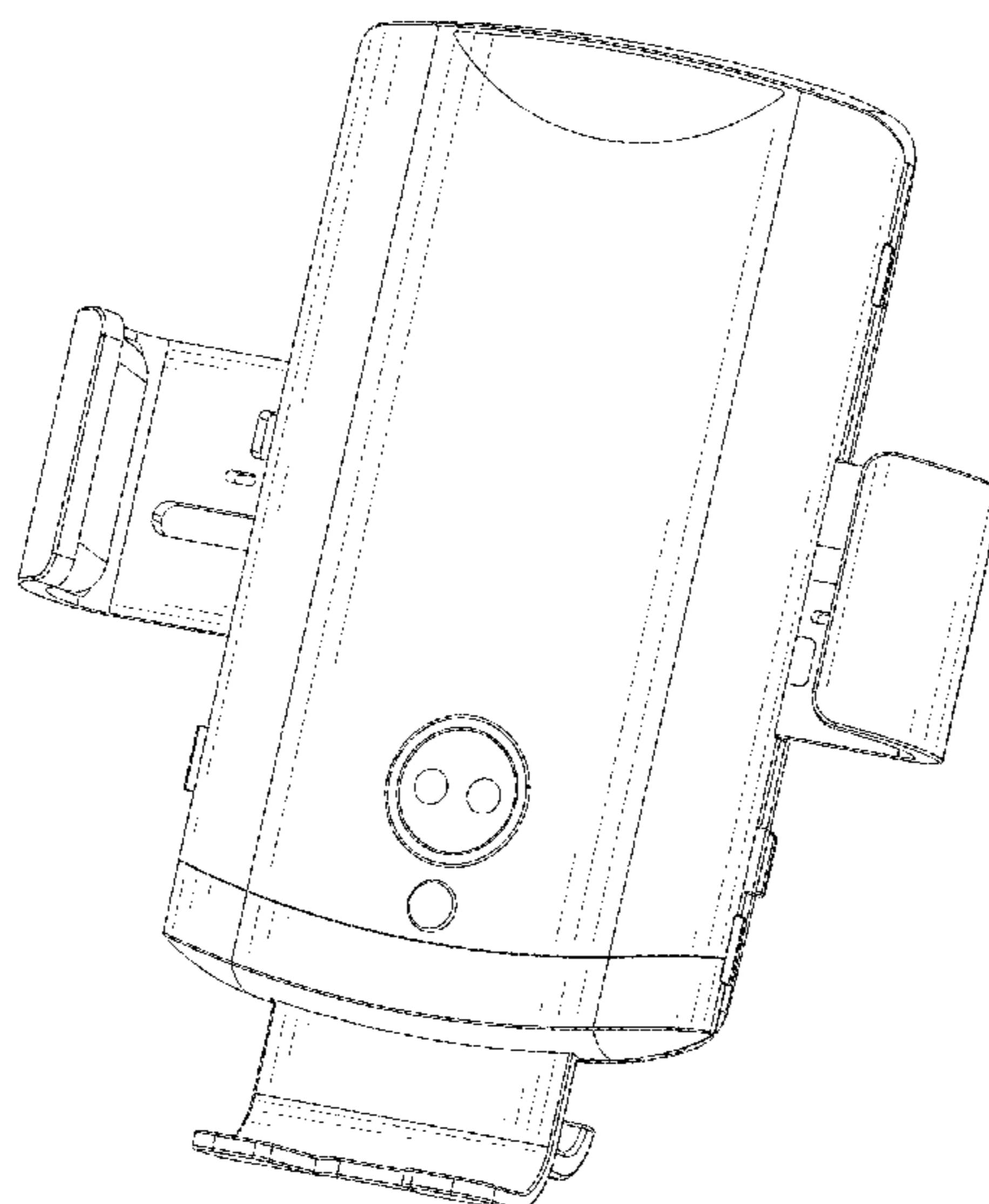
USPC ..... D14/300–302, 314, 348–370, 383–385,  
D14/435, 496, 125, 135, 155, 240–242,  
D14/299; D3/273; D9/432, 434;  
D10/65, 75, 78; D13/103, 118, 119, 162,  
D13/184, 199, 107, 110, 133, 144  
CPC ... G11B 33/027; G11B 33/122; G11B 33/124;  
G11B 33/022; G11B 33/025; Y02E 60/12;  
Y02T 90/14; Y02T 90/122; Y02T 90/128;  
Y02T 90/163; H02J 7/025; H02J 7/0042;  
H02J 7/0044; H02J 7/0045; H02J 7/0003;  
H01F 38/14; H01R 13/6675; H01M  
2/1022; H01M 2/1055; H01M 10/44;  
H01M 10/46; H01M 10/425; B60L  
11/182

FIG. 1 is a perspective view of a wireless charger showing  
my design;  
FIG. 2 is a front view thereof;  
FIG. 3 is a back view thereof;  
FIG. 4 is a left side view thereof;  
FIG. 5 is a right side view thereof;  
FIG. 6 is a top view thereof; and,  
FIG. 7 is a bottom view thereof.

The dashed broken lines in the drawings depict portions of  
the wireless charger that form no part of the claimed design.  
The dash-dot broken lines define the boundaries of the claim  
that form no part of the claim.

See application file for complete search history.

**1 Claim, 7 Drawing Sheets**



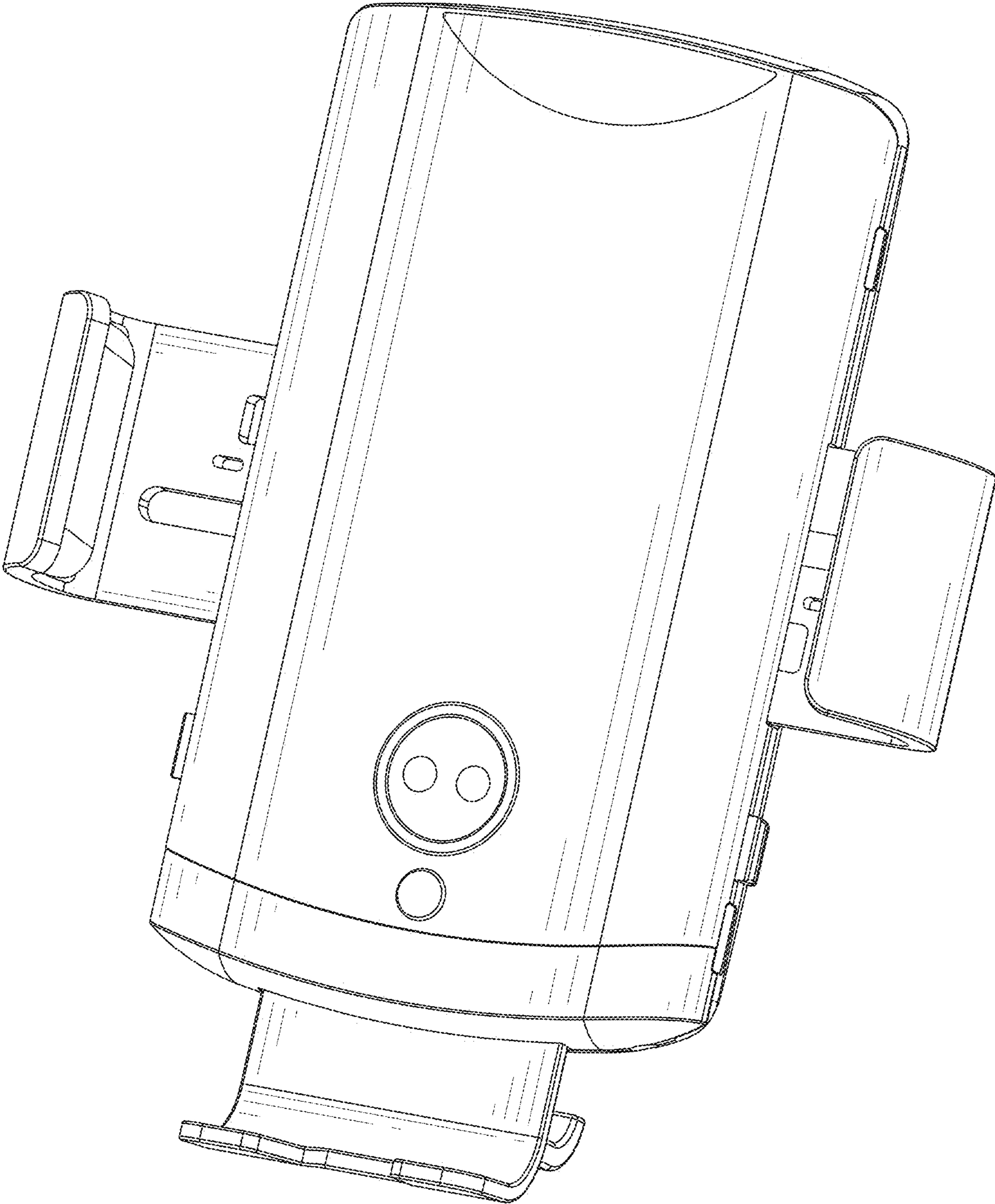


FIG. 1

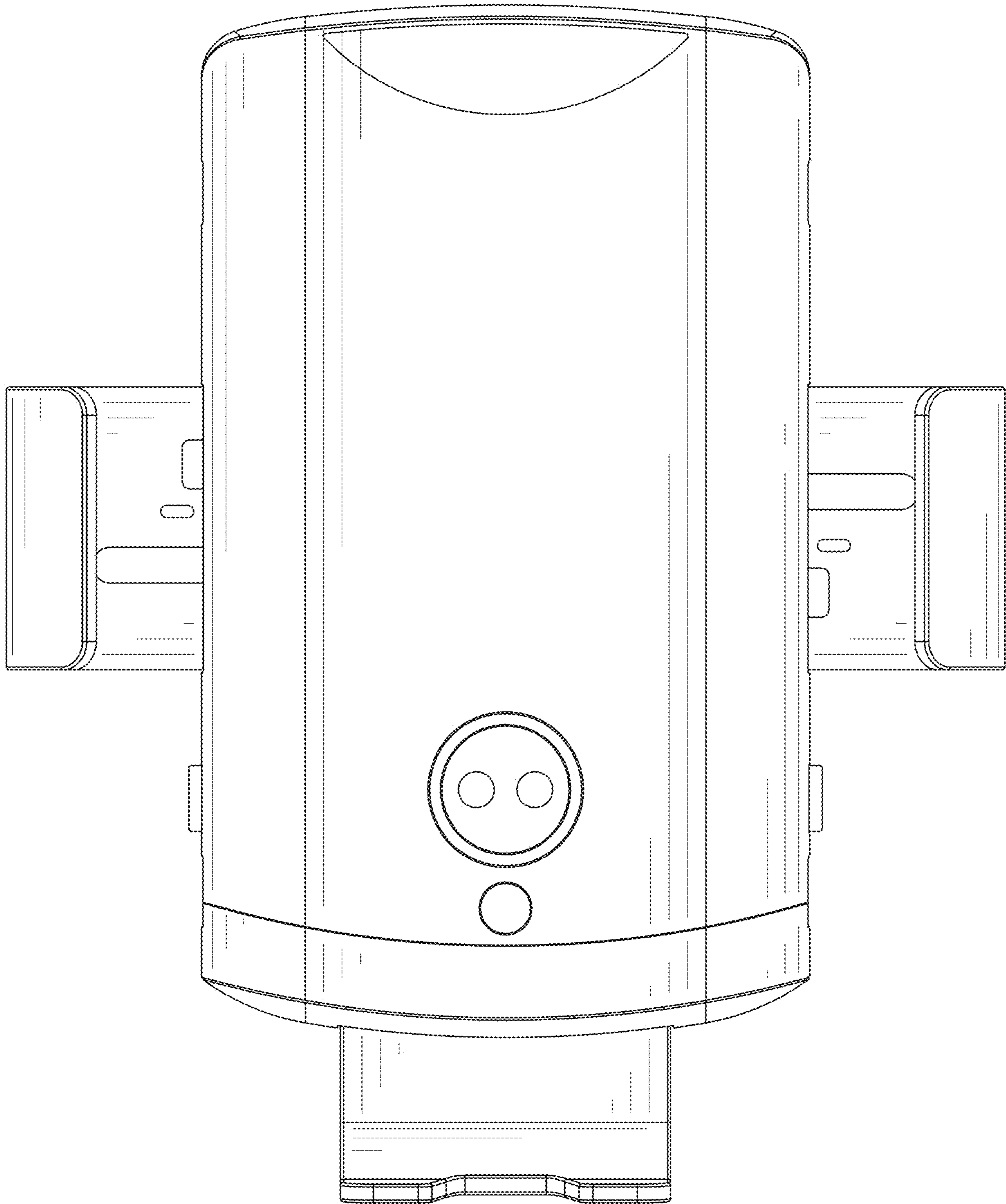


FIG. 2

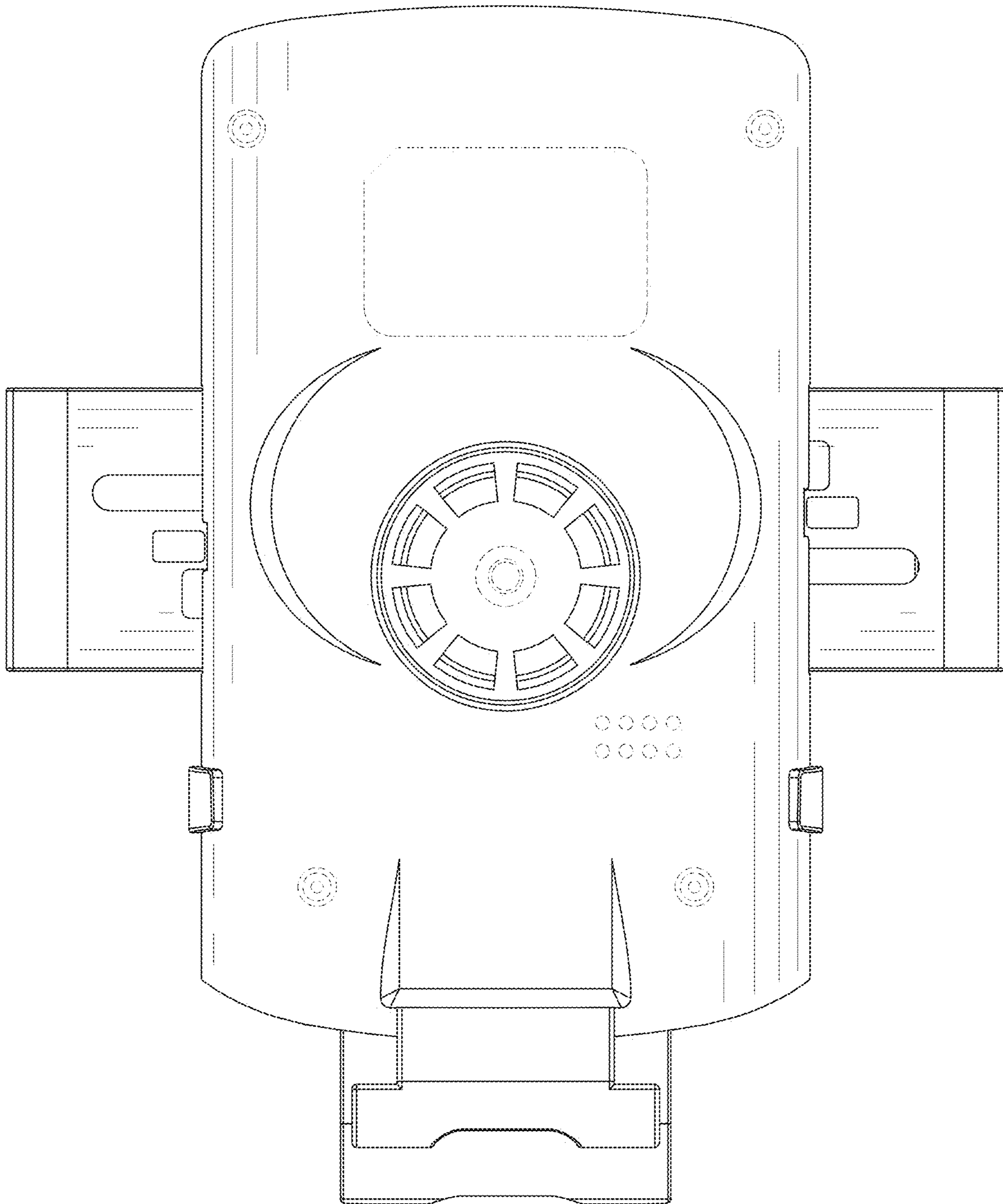


FIG. 3

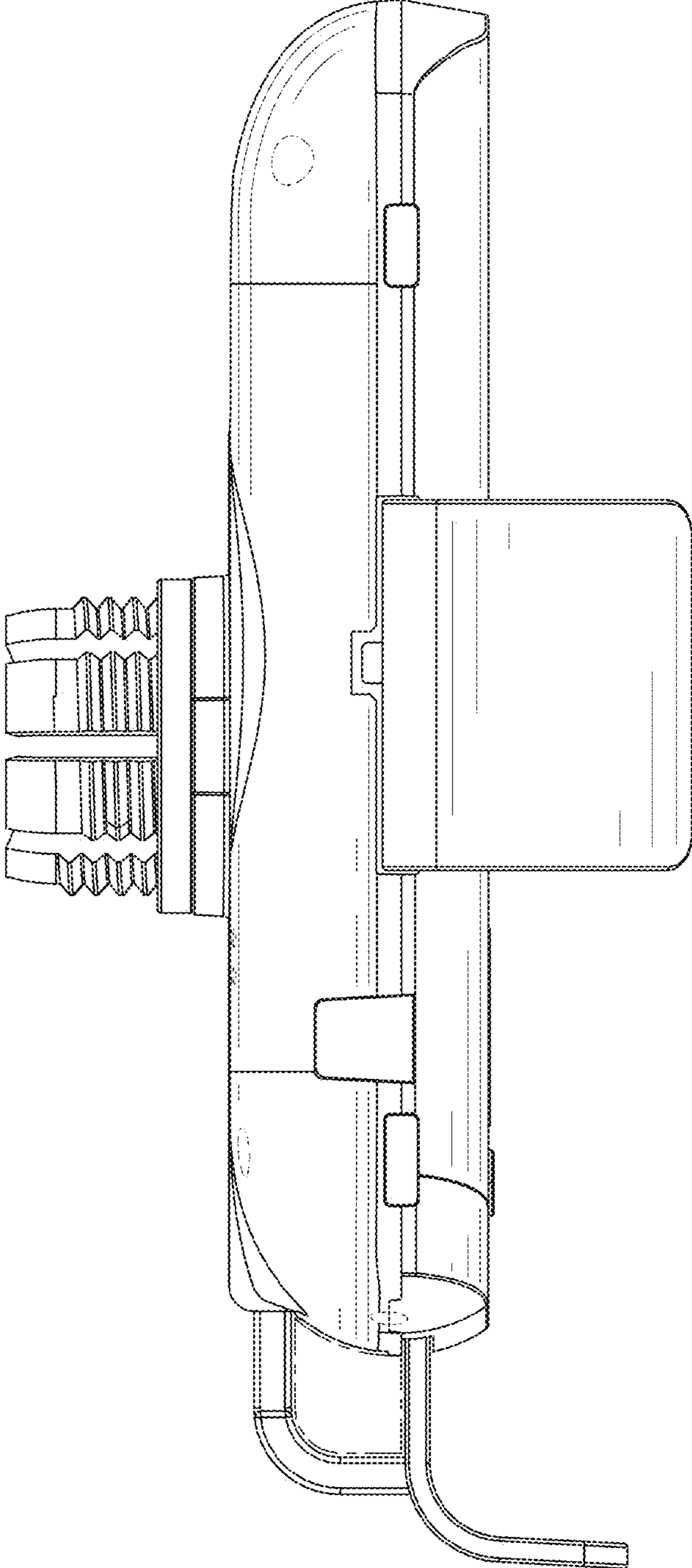


FIG. 4

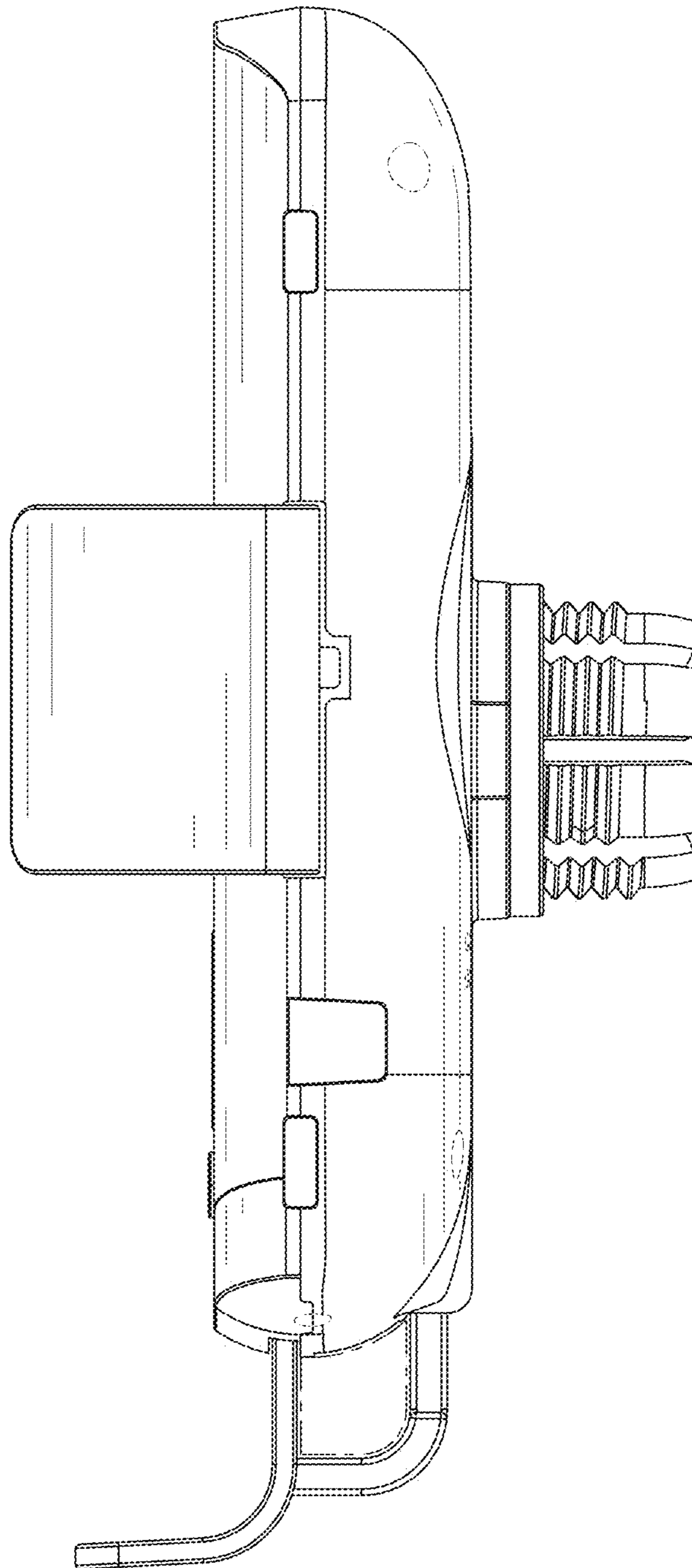


FIG. 5

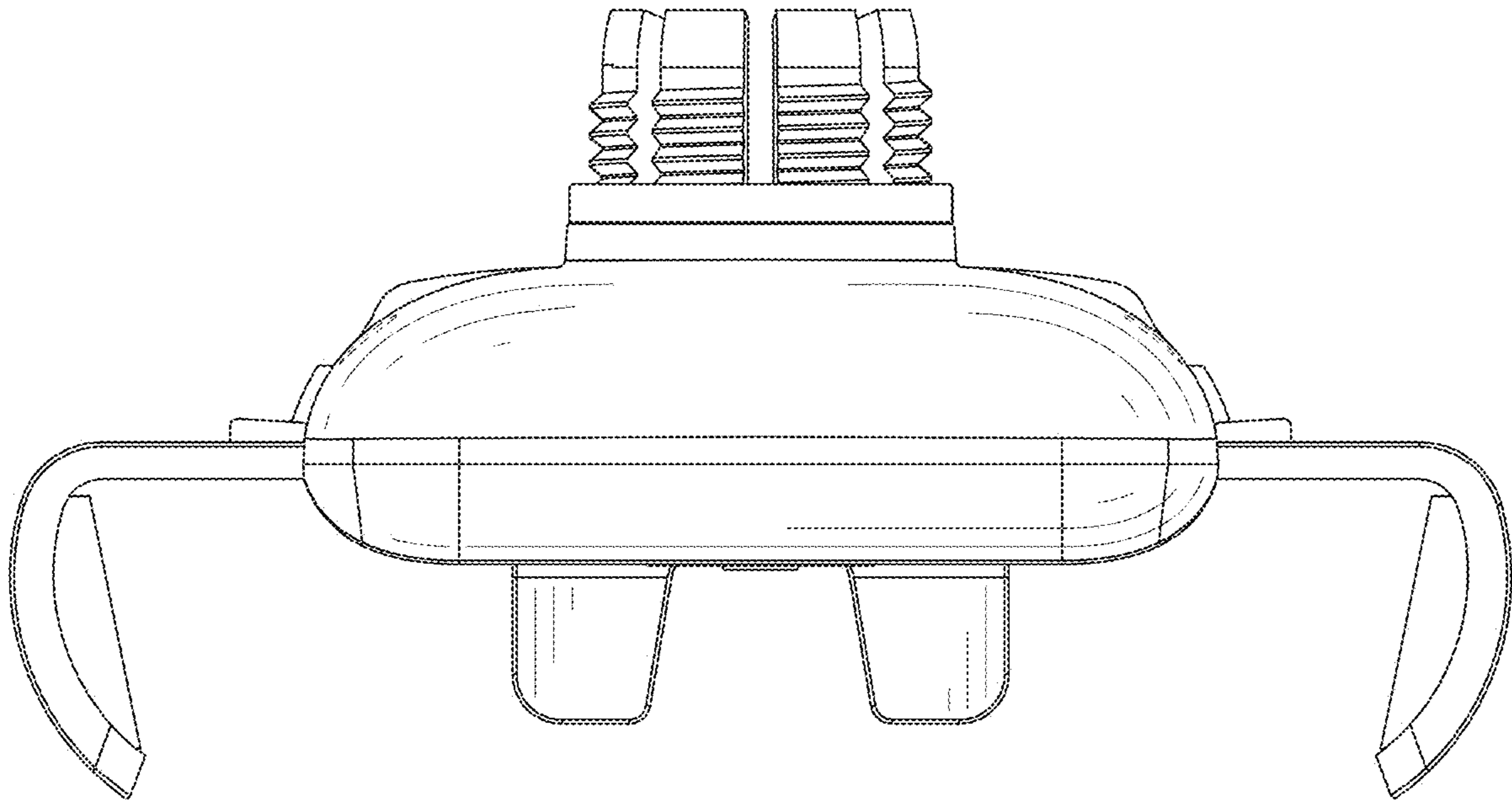


FIG. 6

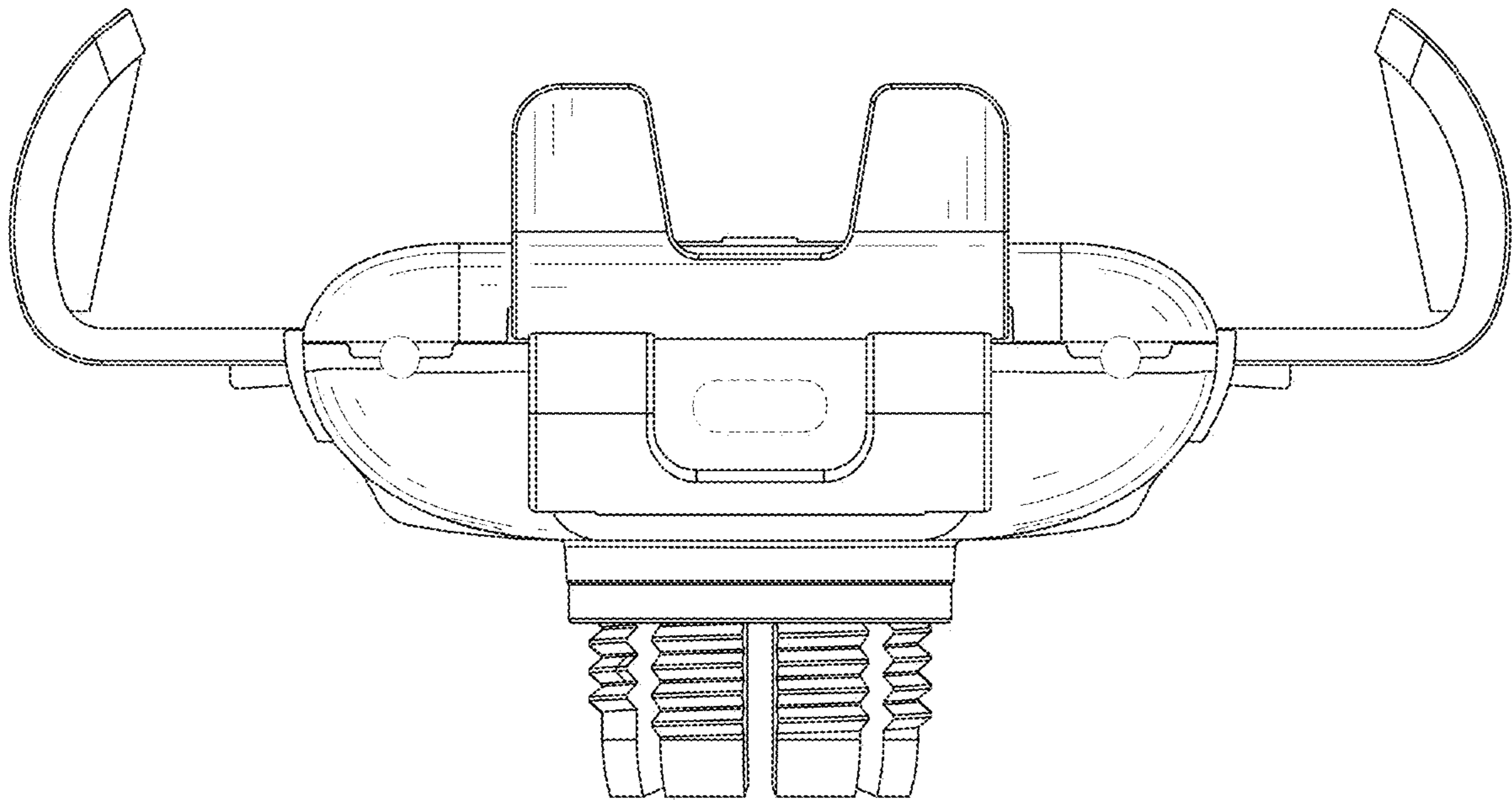


FIG. 7