



US00D904294S

(12) **United States Design Patent**  
**Tsuchiyama**

(10) **Patent No.:** **US D904,294 S**

(45) **Date of Patent:** **\*\* Dec. 8, 2020**

(54) **POWER SUPPLY UNIT**

(71) Applicant: **Okamura Corporation**, Yokohama (JP)

(72) Inventor: **Waku Tsuchiyama**, Yokohama (JP)

(73) Assignee: **Okamura Corporation**, Yokohama (JP)

(\*\*) Term: **15 Years**

(21) Appl. No.: **29/641,884**

(22) Filed: **Mar. 26, 2018**

(30) **Foreign Application Priority Data**

Sep. 29, 2017 (JP) ..... 2017-021552

(51) **LOC (12) Cl.** ..... **13-02**

(52) **U.S. Cl.**  
USPC ..... **D13/108**

(58) **Field of Classification Search**  
USPC ..... D13/107–110, 118–119, 184; D14/251,  
D14/253, 432, 434  
CPC ..... Y02E 60/12; Y02T 90/14; Y02T 90/122;  
Y02T 90/128; Y02T 90/163; H02J 7/025;  
H02J 7/0042; H02J 7/0044; H02J 7/0045;  
H02J 7/0013; H02J 7/0003; H01F 38/14;  
H01R 13/6675; H01M 2/1022; H01M  
2/1055; H01M 10/44; H01M 10/46;  
H01M 10/425; B60L 11/182

See application file for complete search history.

(56) **References Cited**

**U.S. PATENT DOCUMENTS**

2,505,424 A \* 4/1950 Moseley ..... H01Q 19/17  
343/776  
D168,280 S \* 11/1952 Schwarz ..... D26/93  
D222,567 S \* 11/1971 Cohen ..... D6/680  
D228,984 S \* 11/1973 Miller ..... D6/675  
D372,999 S \* 8/1996 Swanson ..... D26/110

D392,755 S \* 3/1998 Khachatryan ..... D26/9  
D421,439 S \* 3/2000 Giuntoli ..... D14/230  
D459,830 S \* 7/2002 Dolan ..... D26/110  
D482,270 S \* 11/2003 Derilo ..... D8/397  
D627,718 S \* 11/2010 Houghton ..... D13/108  
D631,518 S \* 1/2011 Coote ..... D21/679  
D694,451 S \* 11/2013 Fang ..... D26/70  
D695,725 S \* 12/2013 Taeger ..... D14/230  
D704,178 S \* 5/2014 Kwak ..... D14/240  
D723,011 S \* 2/2015 Symons ..... D14/224  
D745,153 S \* 12/2015 Dowdell ..... D24/108  
D772,850 S \* 11/2016 Safstrom ..... D14/233  
D794,557 S \* 8/2017 Kim ..... D13/108  
D797,042 S \* 9/2017 Miller ..... D13/107

(Continued)

*Primary Examiner* — Nathaniel D. Buckner

(74) *Attorney, Agent, or Firm* — Sughrue Mion, PLLC

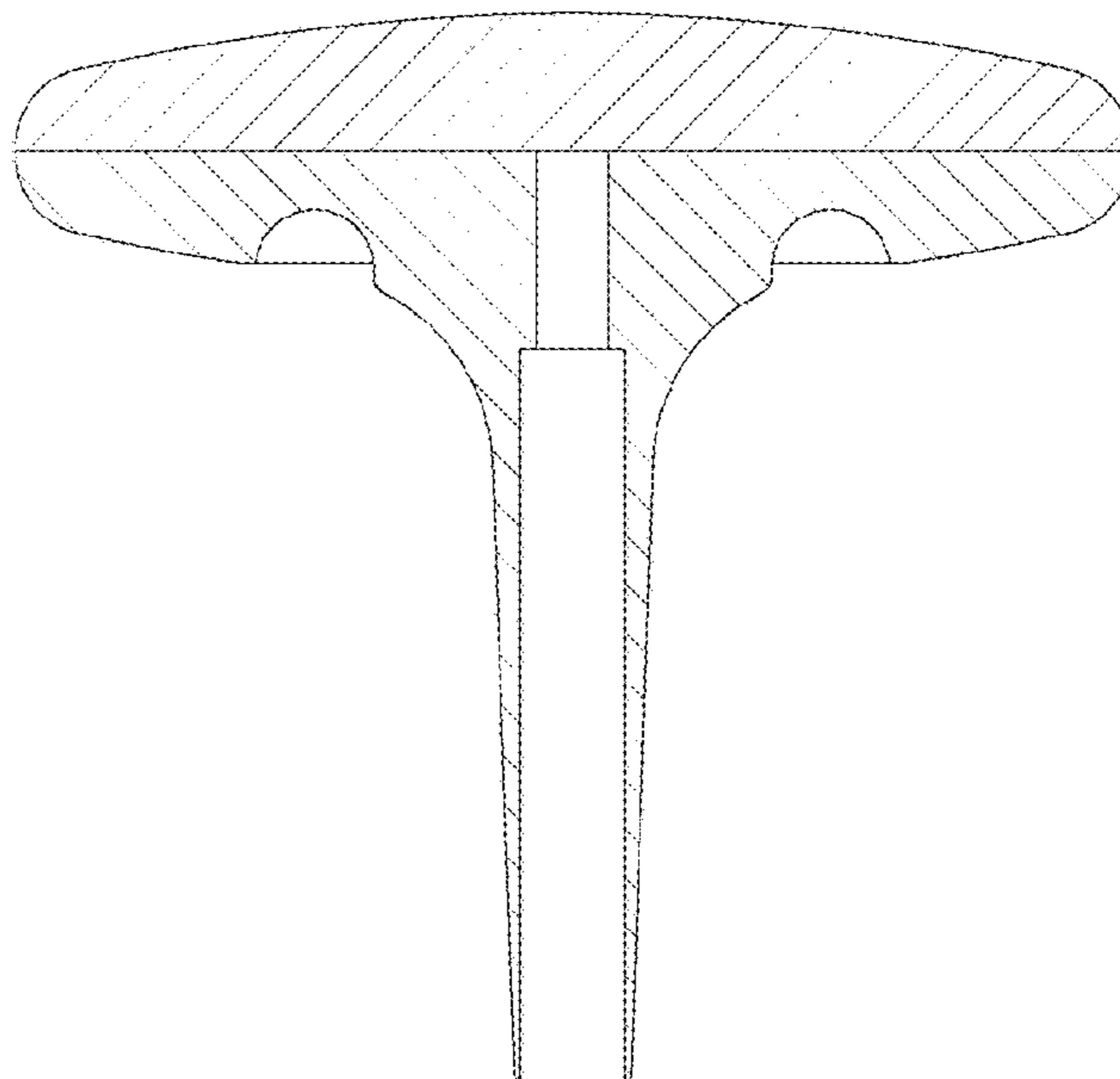
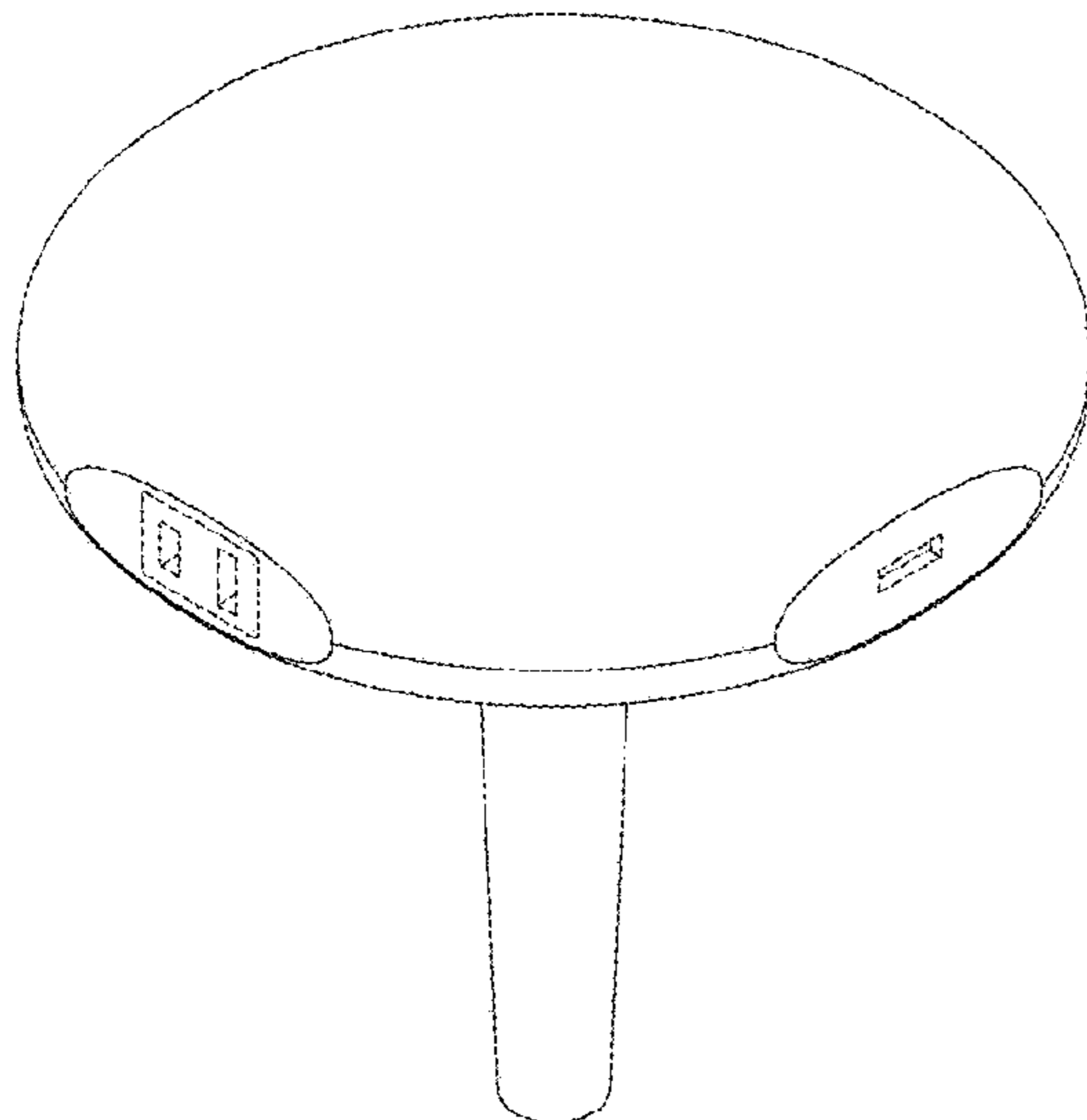
(57) **CLAIM**

The ornamental design for a power supply unit, as shown and described.

**DESCRIPTION**

FIG. 1 is a perspective view of a power supply unit. FIG. 2 is a front elevation view thereof. The rear elevation view is identical to the front elevation view. FIG. 3 is a right side elevation view thereof. The left side elevation view is identical to the right side elevation view. FIG. 4 is a top plan view thereof. FIG. 5 is a bottom plan view thereof. FIG. 6 is an enlarged cross-sectional view taken along the line 6-6 in FIG. 4. FIG. 7 is a perspective view thereof, shown in an environment of use; and, FIG. 8 is a perspective view thereof, shown in a second environment of use. The broken lines shown in the drawings illustrate portions of the power supply unit that form no part of the claimed design.

**1 Claim, 8 Drawing Sheets**



(56)

**References Cited**

U.S. PATENT DOCUMENTS

D807,288 S	*	1/2018	Kim .....	D13/107
D829,696 S	*	10/2018	Wallace .....	D14/233
D834,330 S	*	11/2018	Louisa .....	D4/127
D842,241 S	*	3/2019	Hasani .....	D13/107
D870,664 S	*	12/2019	Langhammer .....	D13/108
D874,399 S	*	2/2020	Lockenwitz .....	D13/108

\* cited by examiner

FIG. 1

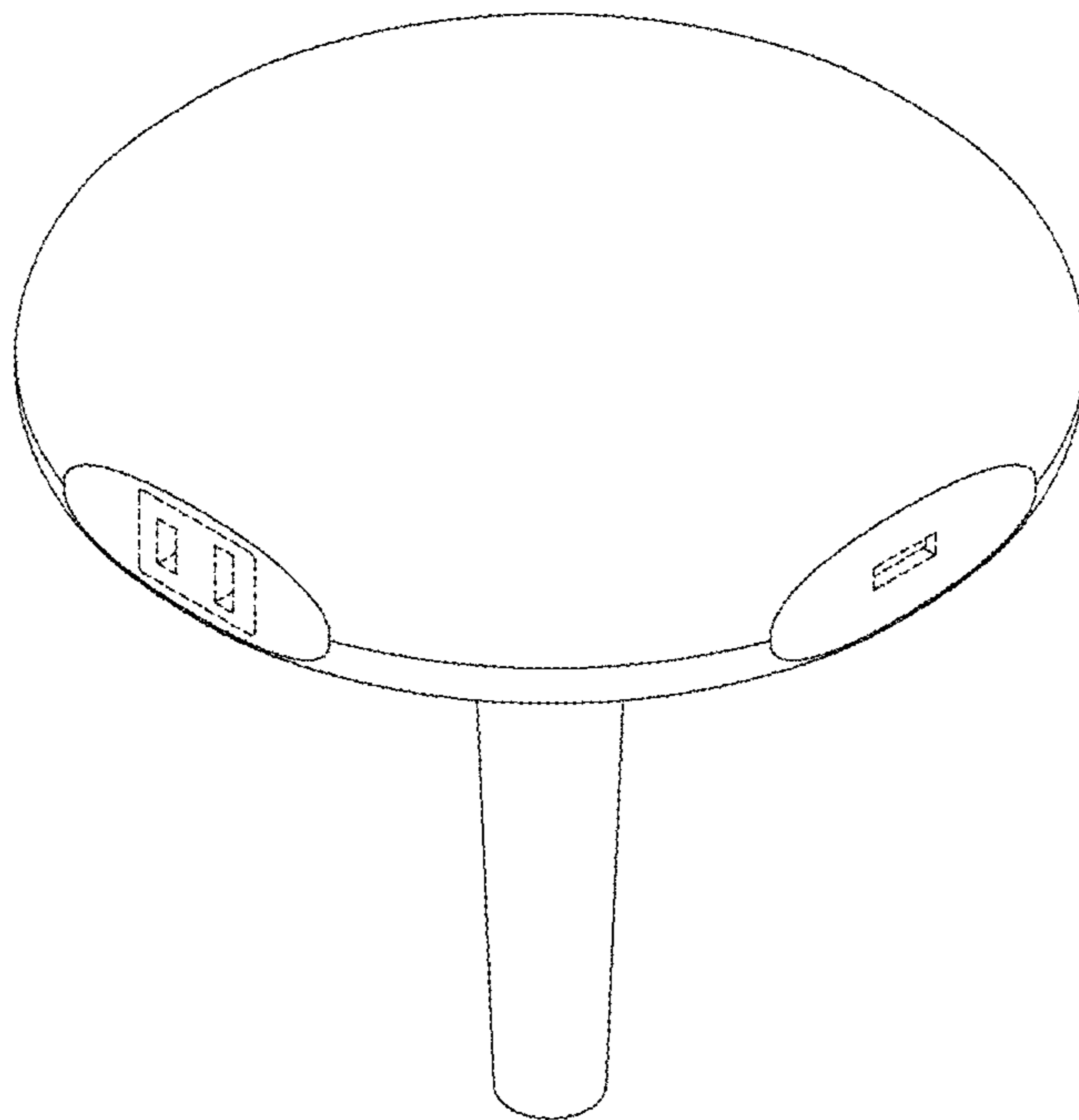


FIG. 2

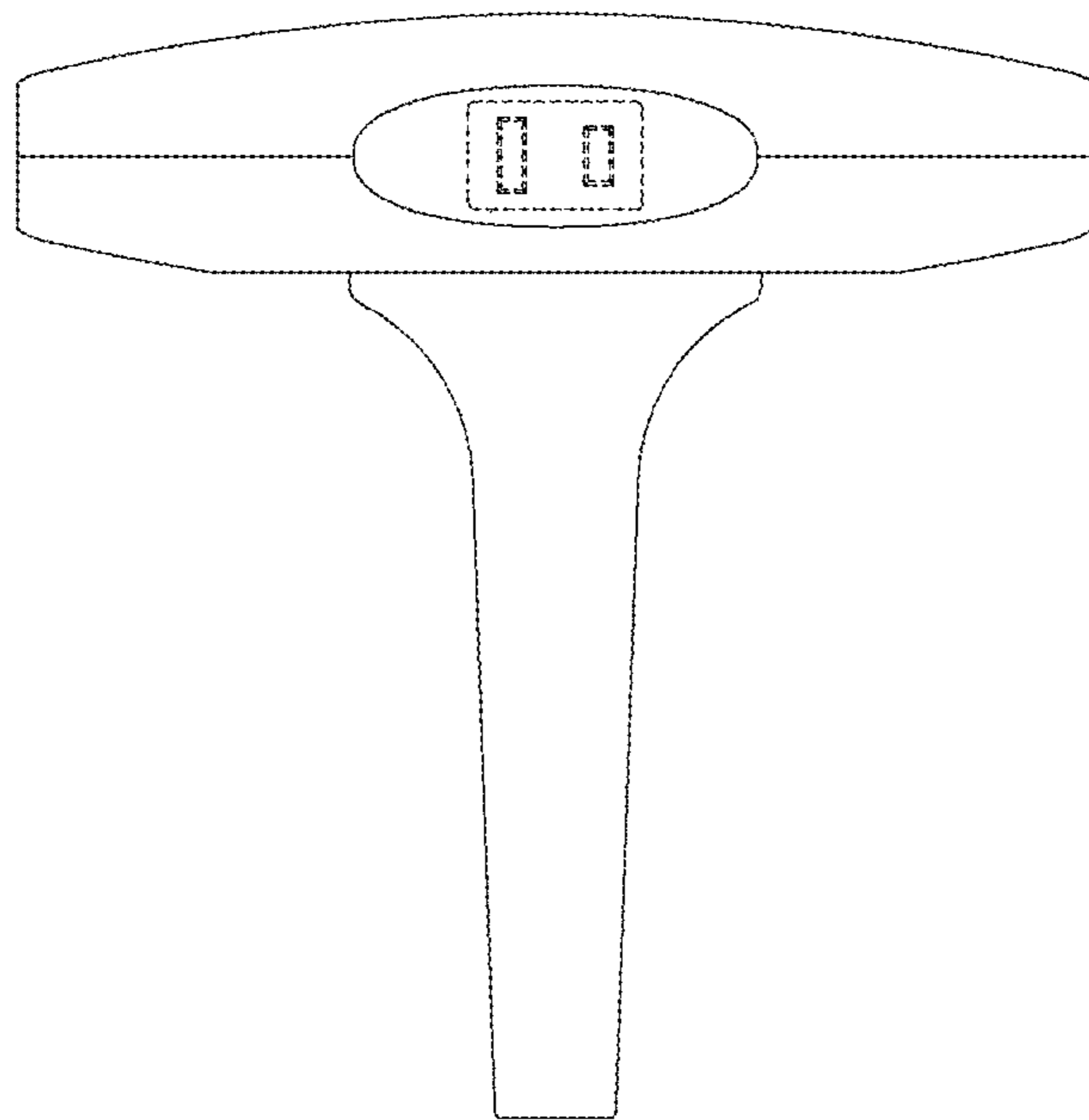


FIG. 3

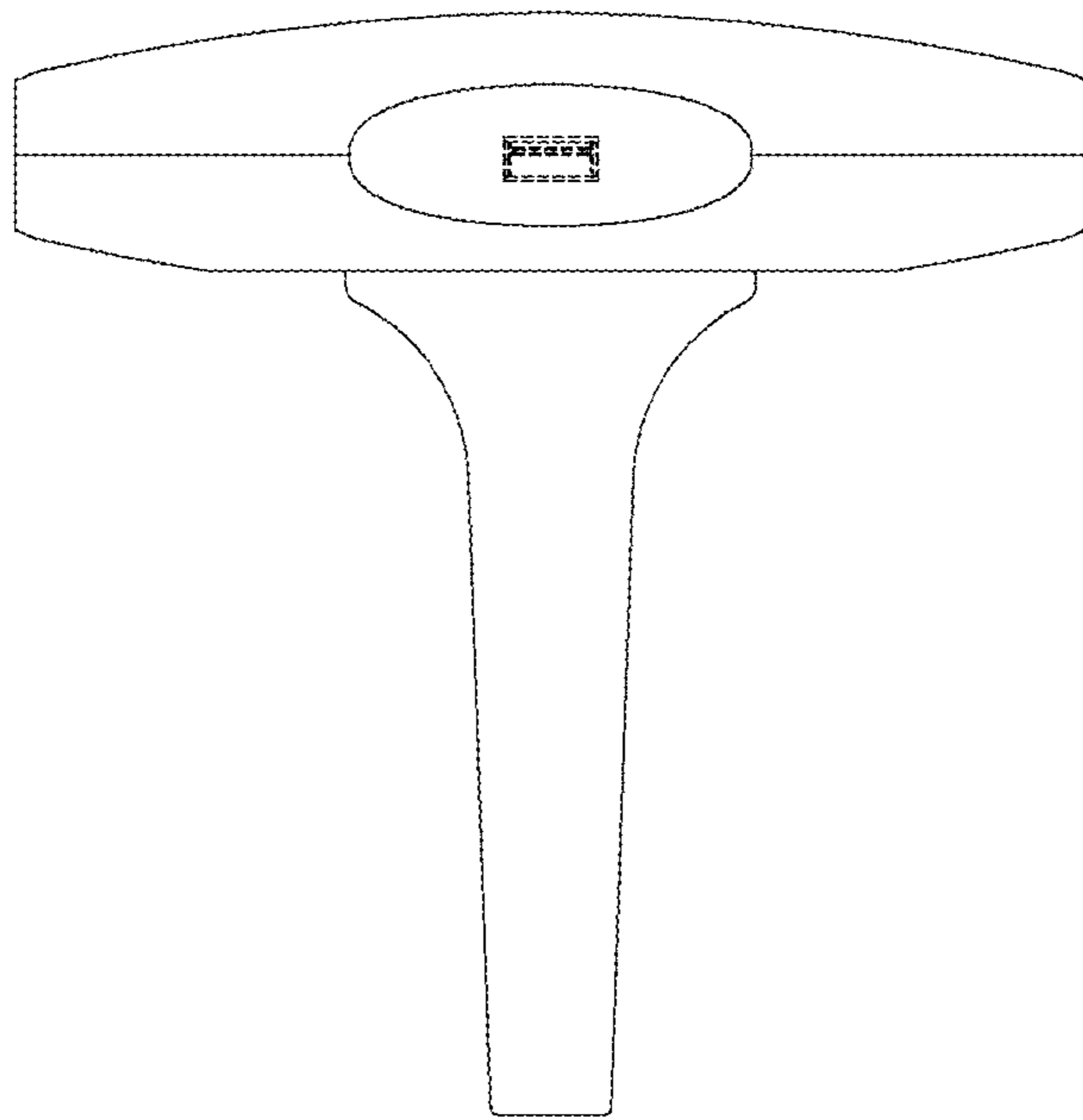


FIG. 4

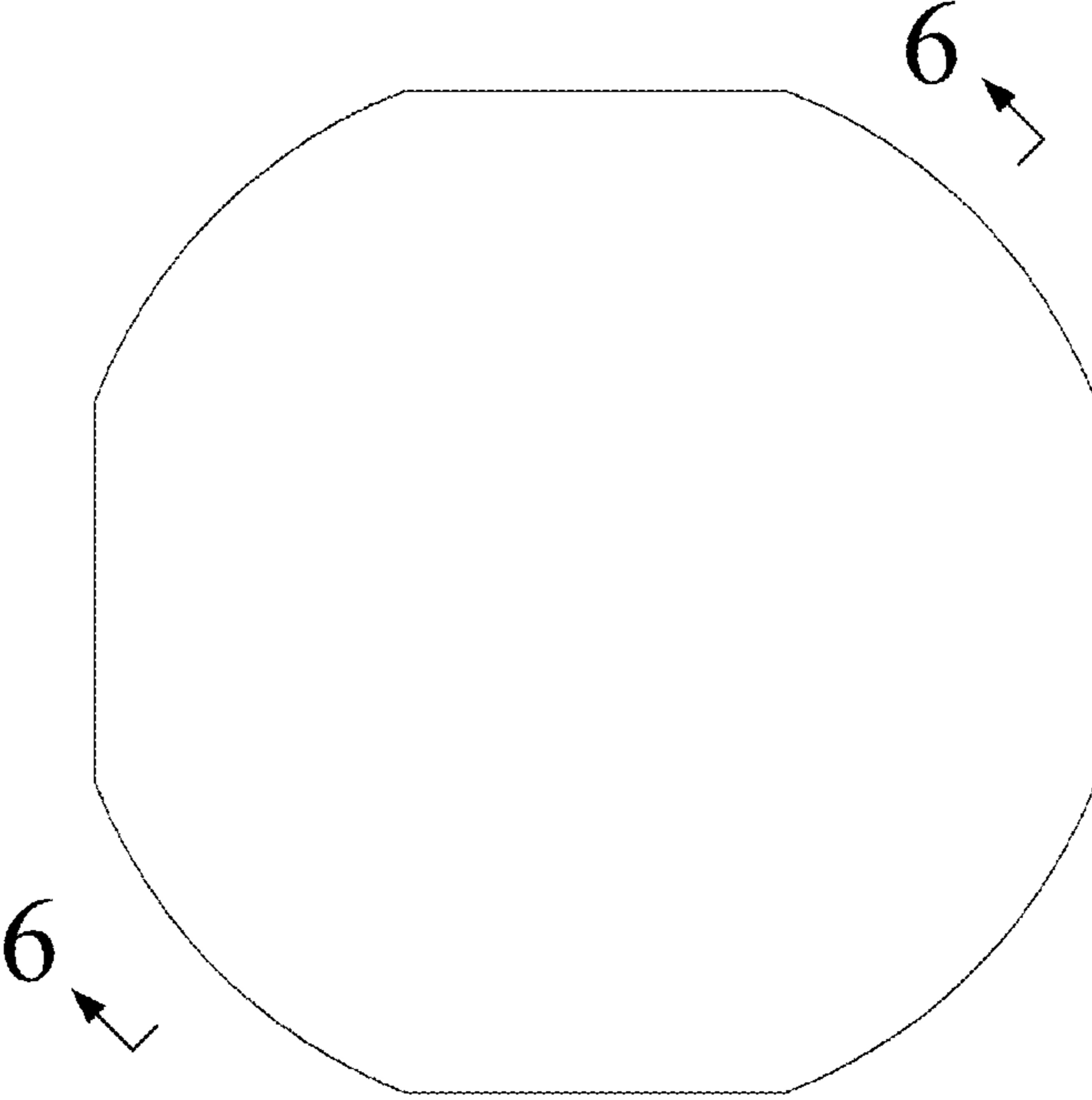


FIG. 5

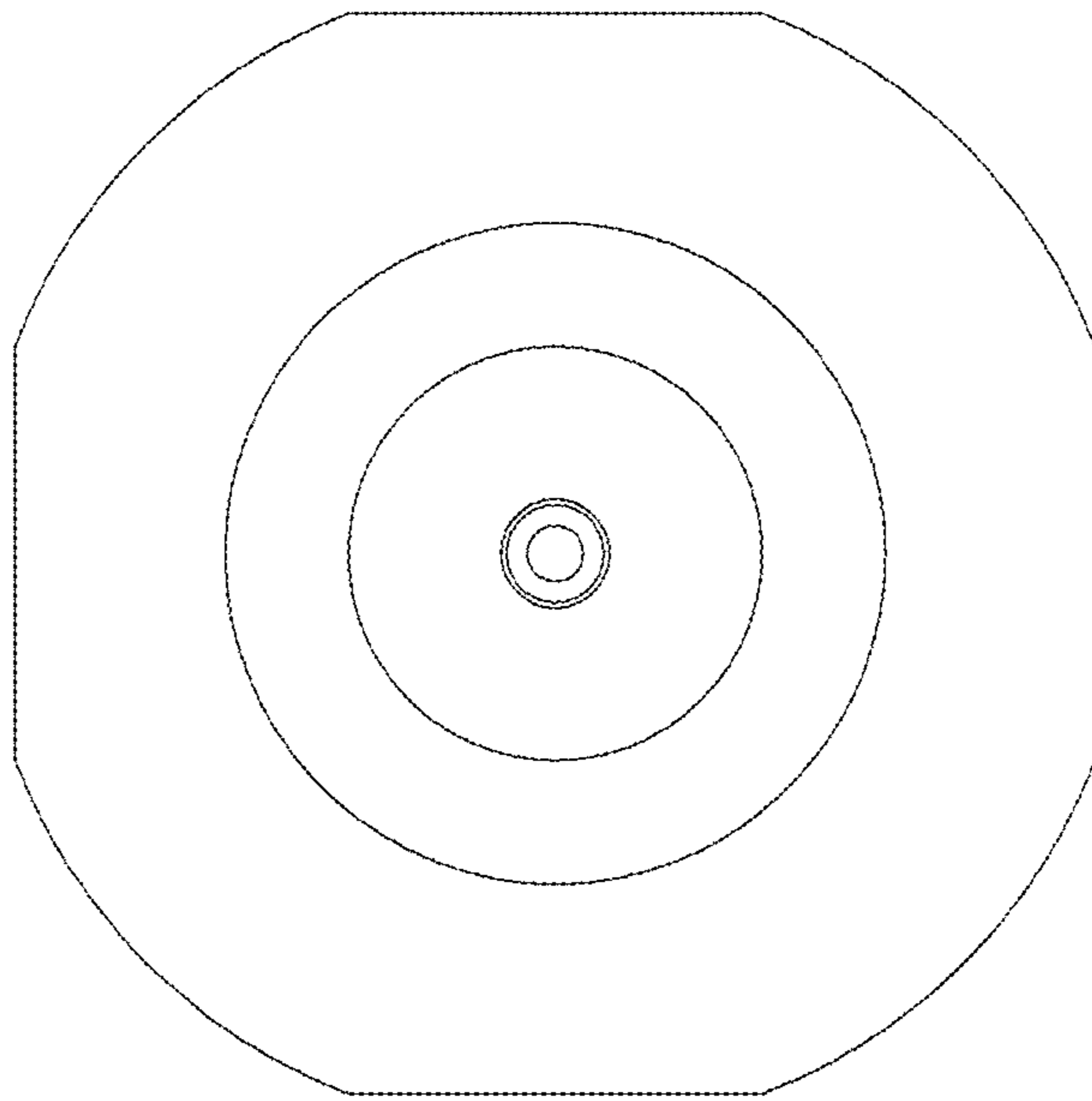


FIG. 6

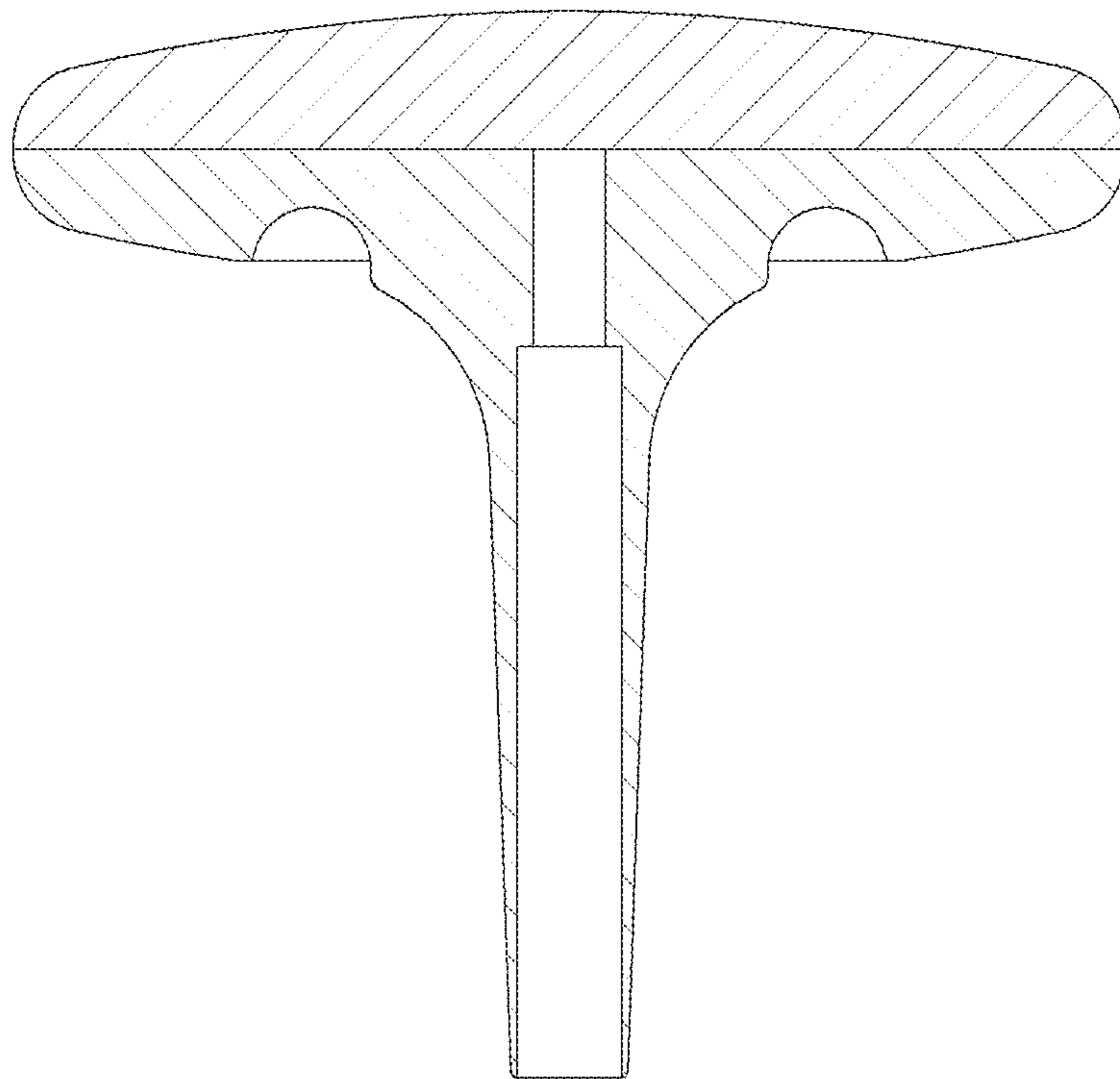




FIG. 7

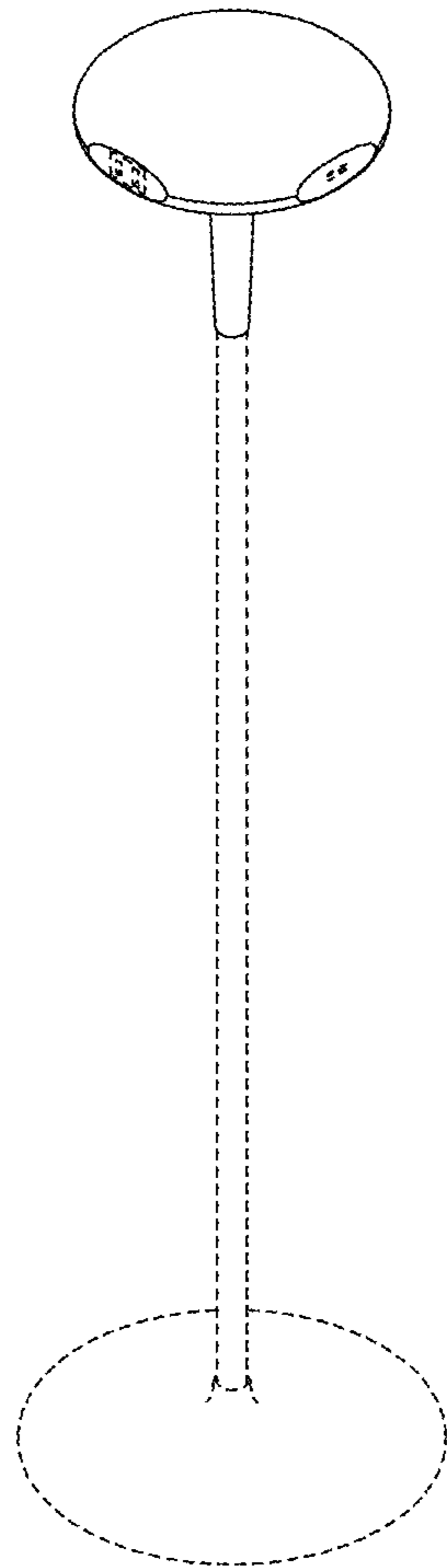


FIG. 8

