



US00D904292S

(12) **United States Design Patent** (10) **Patent No.:** **US D904,292 S**
Gaule et al. (45) **Date of Patent:** **** Dec. 8, 2020**

(54) **CHARGER**

(71) Applicant: **Microsoft Corporation**, Redmond, WA (US)
(72) Inventors: **Patrick T. Gaule**, Bothell, WA (US); **Jazmine Ama Hoyle**, Seattle, WA (US)
(73) Assignee: **Microsoft Corporation**, Redmond, WA (US)

(**) Term: **15 Years**

(21) Appl. No.: **29/704,801**

(22) Filed: **Sep. 6, 2019**

(51) **LOC (12) Cl.** **13-02**

(52) **U.S. Cl.**
USPC **D13/107**

(58) **Field of Classification Search**
USPC D13/103, 107-108, 110, 184, 199;
D14/251, 253, 432, 434
CPC H02J 7/0044; H02J 7/0045; H02J 7/0042;
H02J 7/342; H02J 7/345; H02J 7/025;
H02J 7/026; H02J 7/0007; H02J 7/0027;
H02J 7/0003; H02J 50/00; H02J 50/10;
H02J 50/12; H02J 50/80; H02J 50/40;
H02J 50/402; H02J 50/50
See application file for complete search history.

(56) **References Cited**

U.S. PATENT DOCUMENTS

D303,107 S *	8/1989	Maglica	D13/120
D303,245 S *	9/1989	Tsuji	D13/108
D315,161 S *	3/1991	Watanabe	D13/108
D339,809 S *	9/1993	Ron	D13/108
D536,612 S	2/2007	Geurts et al.	
D580,856 S *	11/2008	Haspil	D13/108
D610,984 S *	3/2010	Khan	D13/108
D623,188 S	9/2010	Son et al.	
D631,006 S *	1/2011	Fahrendorff	D13/108
D631,008 S *	1/2011	Kuroda	D13/108

D631,010 S *	1/2011	Smith	D13/108
D633,038 S *	2/2011	Fahrendorff	D13/108
D634,271 S *	3/2011	Kessler	D13/108
D640,699 S *	6/2011	McParland	D14/434
D642,979 S *	8/2011	Chun	D13/108
D661,285 S	6/2012	Ivaskevicius	
D664,919 S *	8/2012	Brandys	D13/107
D669,851 S *	10/2012	Ikegame	D13/108
D685,323 S *	7/2013	Szymanski	D13/108
D734,384 S	7/2015	Han et al.	
D747,265 S *	1/2016	Marini	D13/107
D768,569 S *	10/2016	Ohno	D13/107

(Continued)

OTHER PUBLICATIONS

“Office Action Issued in Indian Patent Application No. 327548-001”, dated Apr. 30, 2020, 02 Pages.

(Continued)

Primary Examiner — Rosemary K Tarcza

(74) *Attorney, Agent, or Firm* — Banner & Witcoff, Ltd.

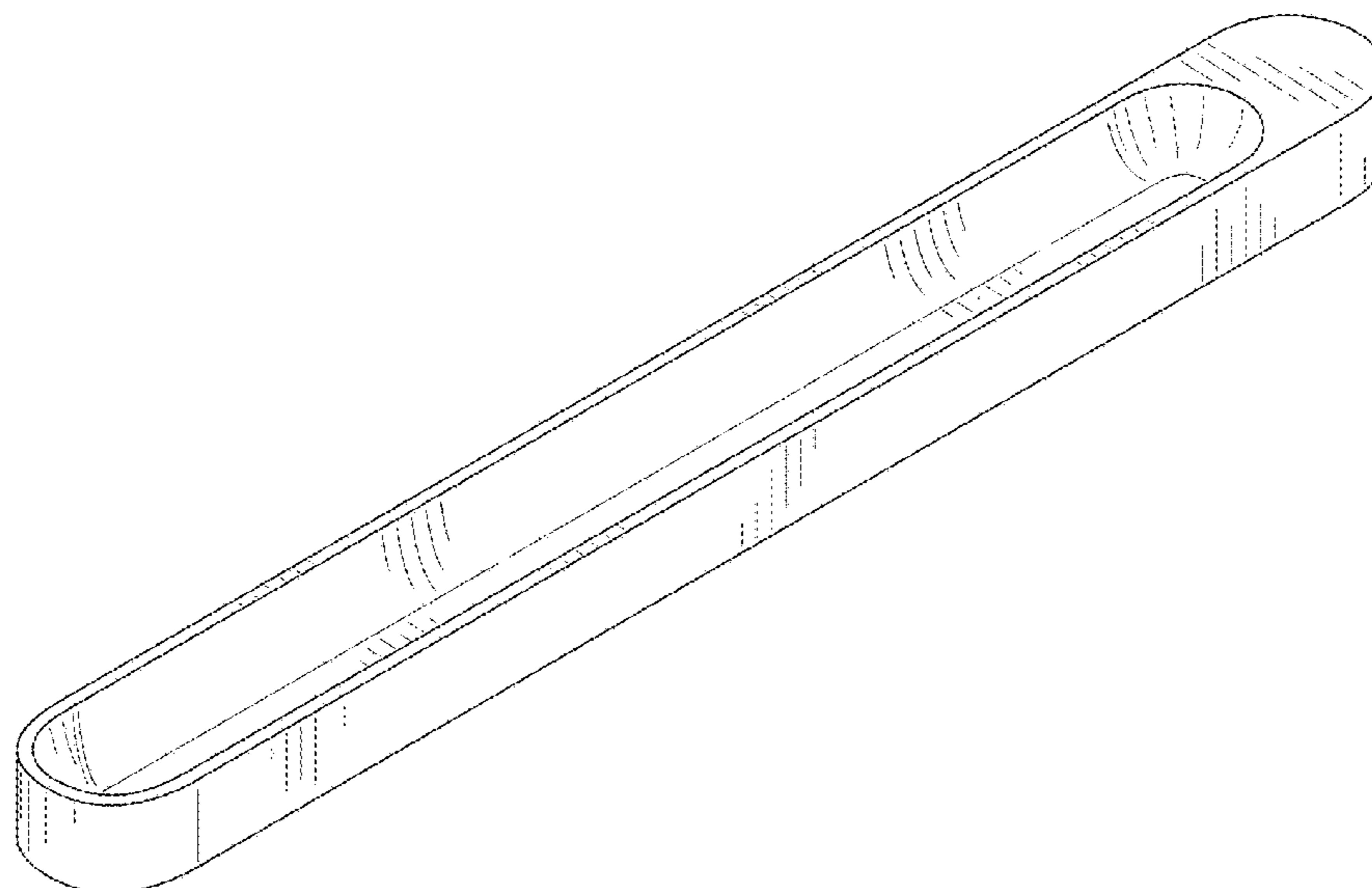
(57) **CLAIM**

The ornamental design for a charger, as shown and described.

DESCRIPTION

FIG. 1 is a front perspective view of a charger showing our new design;
FIG. 2 is a rear perspective view thereof;
FIG. 3 is a front view thereof;
FIG. 4 is a rear view thereof;
FIG. 5 is a right side view thereof;
FIG. 6 is a left side view thereof;
FIG. 7 is a top view thereof; and,
FIG. 8 is a bottom view thereof.
The broken lines shown in the drawings are included for the purpose of illustrating portions of the charger that form no part of the claimed design.

1 Claim, 4 Drawing Sheets



(56)

References Cited

U.S. PATENT DOCUMENTS

D769,815 S * 10/2016 Ohno D13/107
D780,694 S * 3/2017 Wang D13/144

OTHER PUBLICATIONS

“Office Action Issued in Indian Patent Application No. 327545-001”, dated Mar. 18, 2020, 2 Pages.

“Office Action Issued in Indian Patent Application No. 327547-001”, dated Mar. 20, 2020, 2 Pages.

* cited by examiner

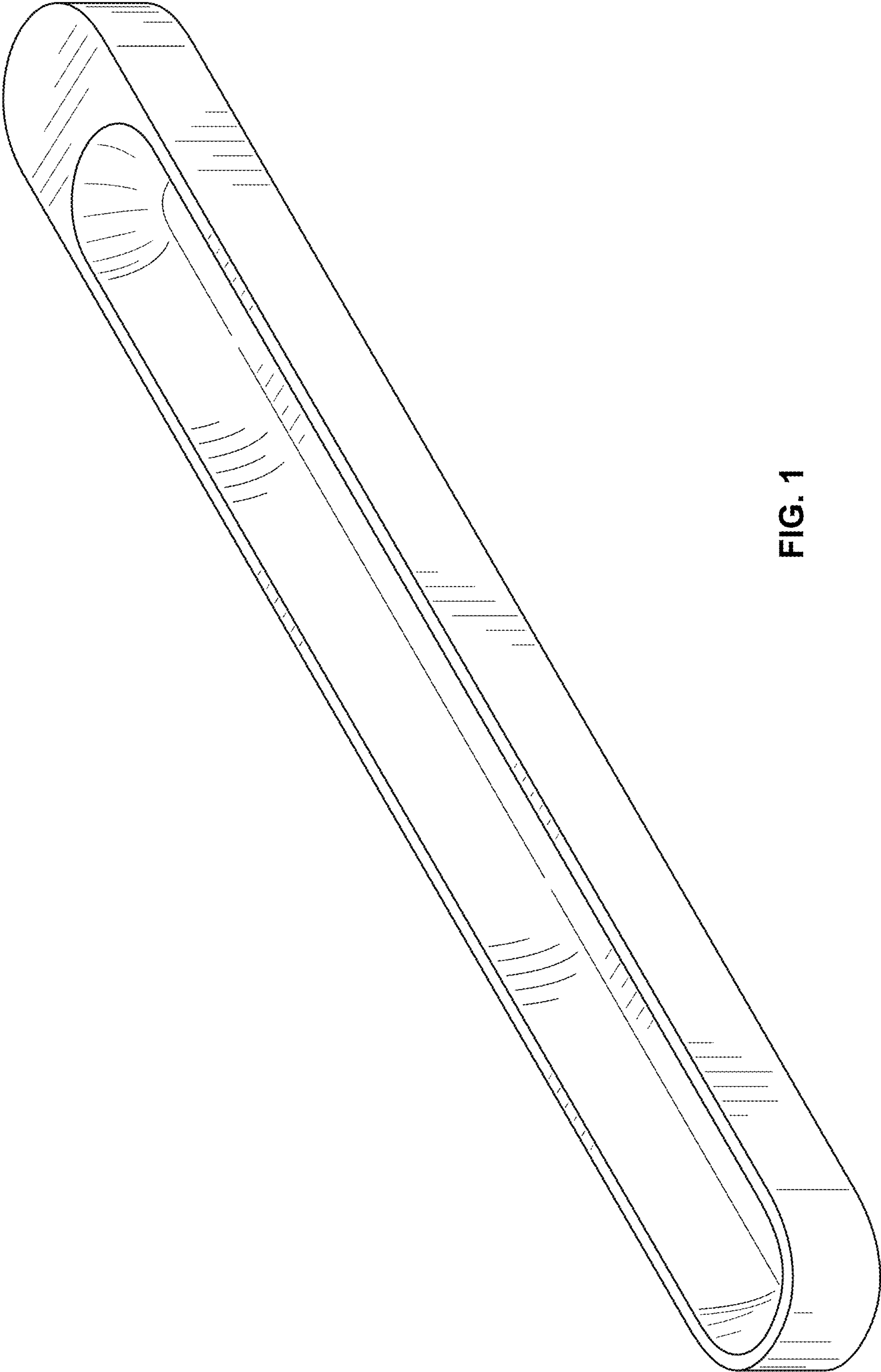


FIG. 1

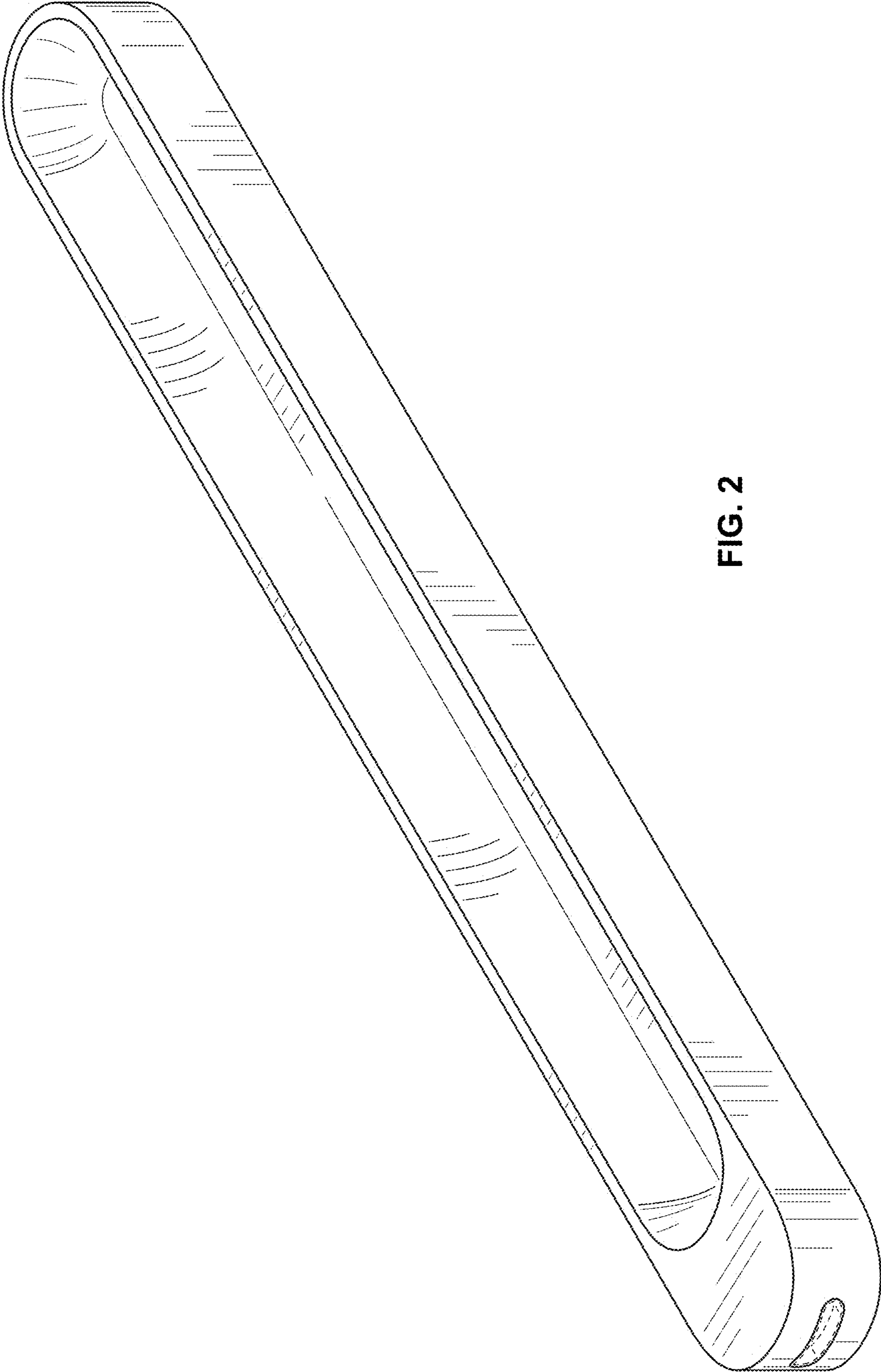


FIG. 2

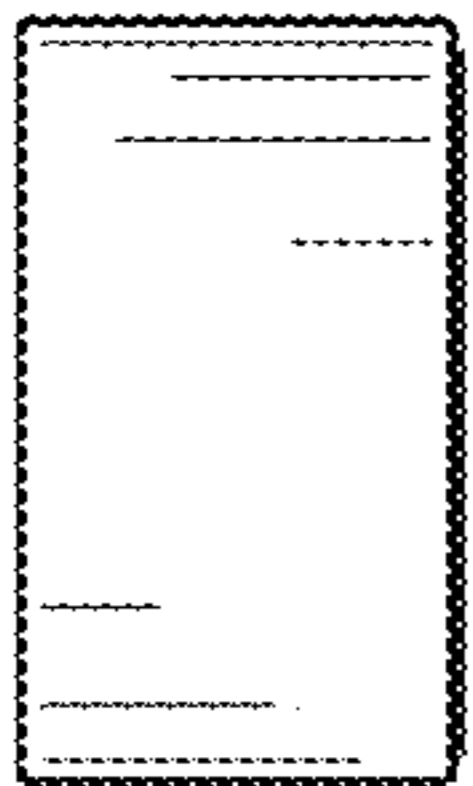


FIG. 3

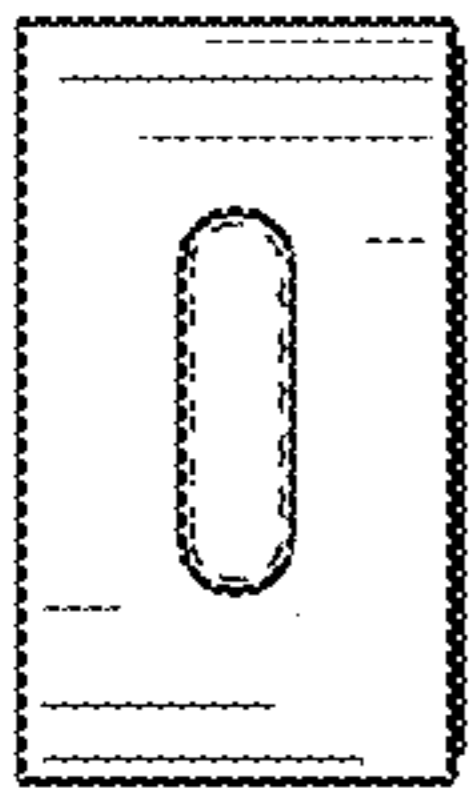


FIG. 4

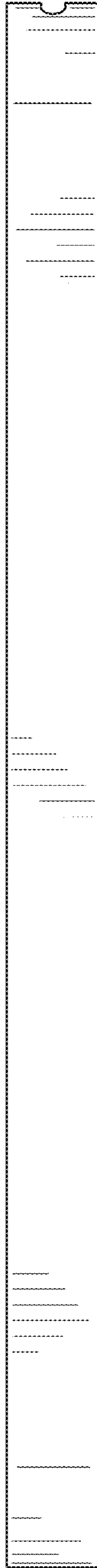


FIG. 5

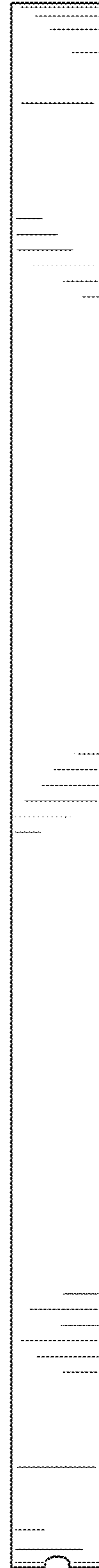


FIG. 6

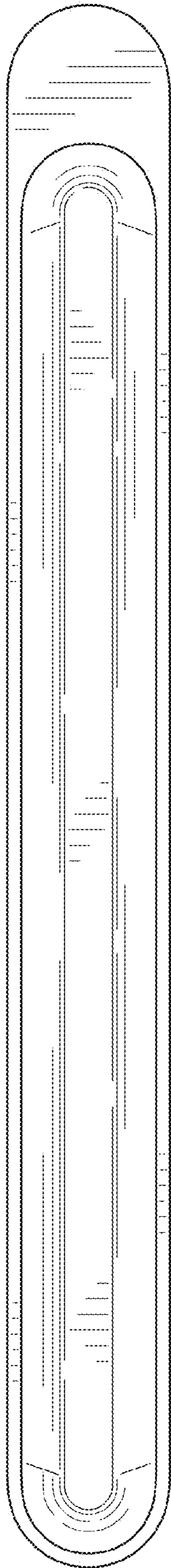


FIG. 7

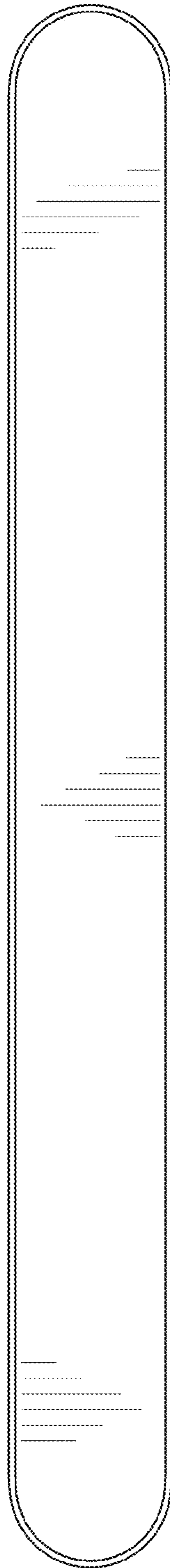


FIG. 8