



US00D904291S

(12) **United States Design Patent** (10) **Patent No.:** **US D904,291 S**
Ge et al. (45) **Date of Patent:** **** Dec. 8, 2020**

(54) **CHARGER**
(71) Applicant: **GLOBE (JIANGSU) CO., LTD,**
Jiangsu (CN)
(72) Inventors: **Liang Ge, Jiangsu (CN); Nick**
Suchoza, Huntersville, NC (US)
(73) Assignee: **GLOBE (JIANGSU) CO., LTD,**
Changzhou (CN)
(**) Term: **15 Years**
(21) Appl. No.: **29/704,785**
(22) Filed: **Sep. 6, 2019**
(30) **Foreign Application Priority Data**
Mar. 8, 2019 (CN) 2019 3 0094308
(51) **LOC (12) Cl.** **13-02**
(52) **U.S. Cl.**
USPC **D13/107**
(58) **Field of Classification Search**
USPC D13/103, 107-108, 110, 184, 199;
D14/251, 253, 432, 434
CPC H02J 7/0044; H02J 7/0045; H02J 7/0042;
H02J 7/342; H02J 7/345; H02J 7/025;
H02J 7/026; H02J 7/0007; H02J 7/0027;
H02J 7/0003; H02J 50/00; H02J 50/10;
H02J 50/12; H02J 50/80; H02J 50/40;
H02J 50/402; H02J 50/50
See application file for complete search history.

(56) **References Cited**
U.S. PATENT DOCUMENTS
D275,482 S * 9/1984 Coons D13/108
D298,136 S * 10/1988 Toth D13/107
D328,450 S * 8/1992 Watanabe D13/108

5,689,171 A * 11/1997 Ludewig H02J 7/0042
320/110
D399,821 S * 10/1998 Tynes D13/118
D400,499 S * 11/1998 Bunyea D13/107
D409,976 S * 5/1999 Buck D13/107
D420,323 S * 2/2000 Nakamura D13/107
D430,537 S * 9/2000 Etter D13/107
6,346,793 B1 * 2/2002 Shibata H02J 7/0042
320/107
D461,447 S * 8/2002 Nawrozki D13/107
D462,657 S * 9/2002 Kaneko D13/107
D505,913 S * 6/2005 Kam Lun D13/107
D532,370 S * 11/2006 Shimizu D13/108
D571,720 S * 6/2008 Yang D13/107
D605,111 S * 12/2009 Schoch D13/107
D610,085 S * 2/2010 Sweeney D13/107
D652,793 S * 1/2012 Tschopp D13/107
D654,018 S * 2/2012 Conley D13/107
D718,710 S * 12/2014 Rabalais D13/107
D791,696 S * 7/2017 Tinius D13/107
D814,404 S 4/2018 Barajas et al.

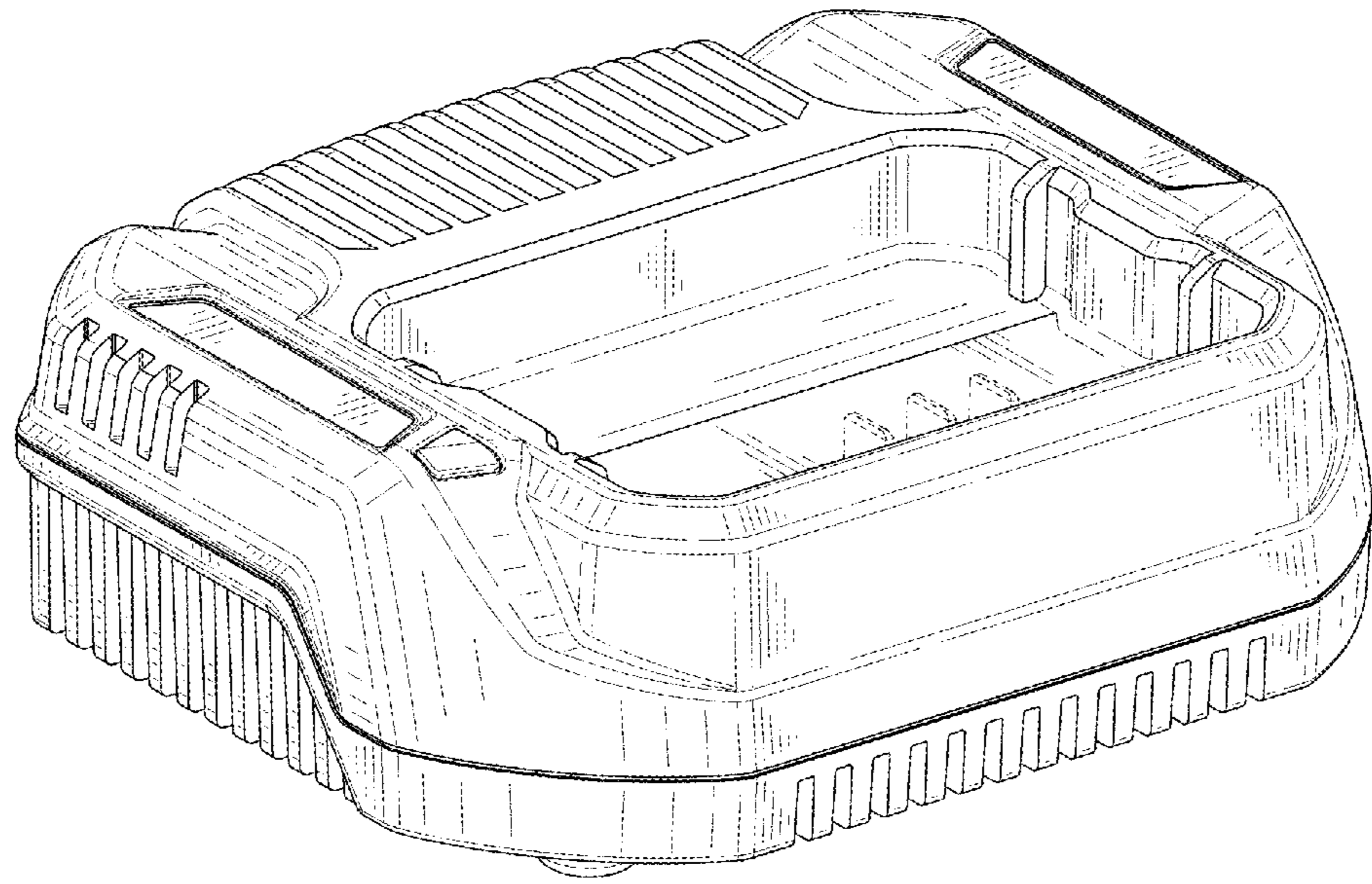
(Continued)

Primary Examiner — Rosemary K Tarcza

(57) **CLAIM**
The ornamental design for a charger, as shown and described.

DESCRIPTION
FIG. 1 is a top, front and left side perspective view of a charger showing our new design;
FIG. 2 is a bottom, rear and right side perspective view thereof;
FIG. 3 is a front elevational view thereof;
FIG. 4 is a rear elevational view thereof;
FIG. 5 is a left side view thereof;
FIG. 6 is a right side view thereof;
FIG. 7 is a top plan view thereof; and,
FIG. 8 is a bottom plan view thereof.
The broken lines in the drawings illustrate portions of the charger which form no part of the claimed design.

1 Claim, 8 Drawing Sheets



(56)

References Cited

U.S. PATENT DOCUMENTS

D855,019 S * 7/2019 Rustill D13/108
D885,331 S * 5/2020 Suzuki D13/108

* cited by examiner

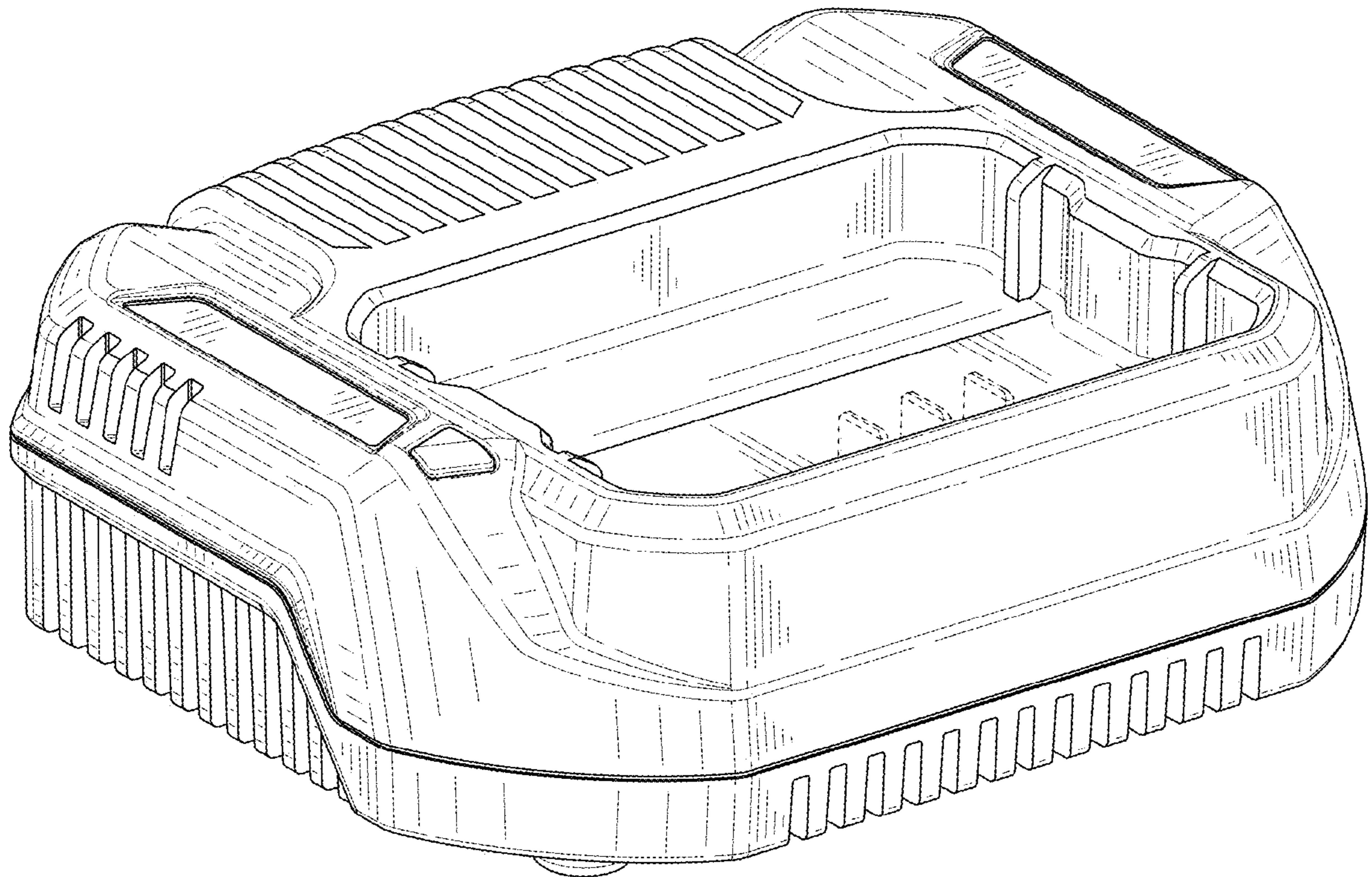


FIG. 1

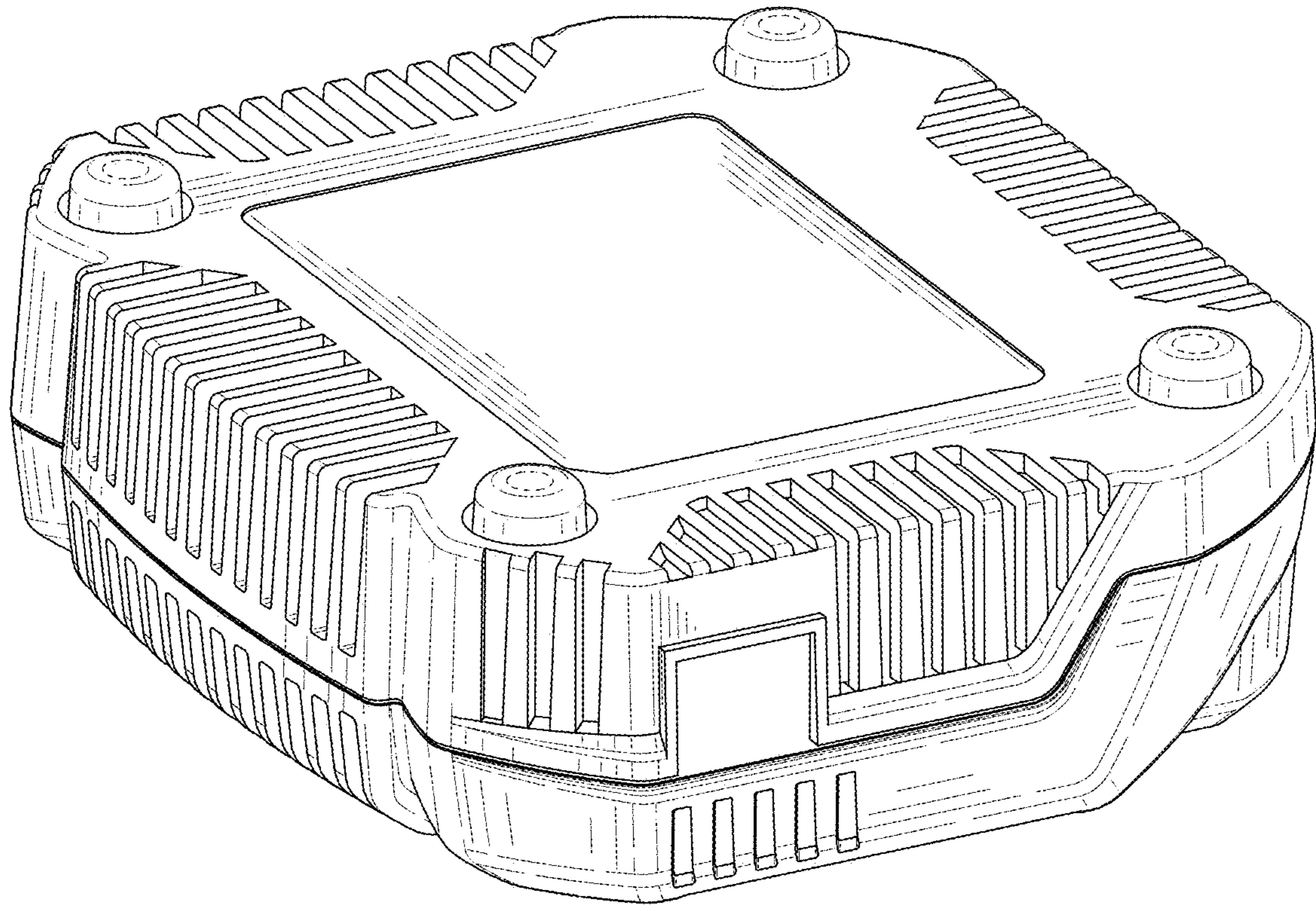


FIG. 2

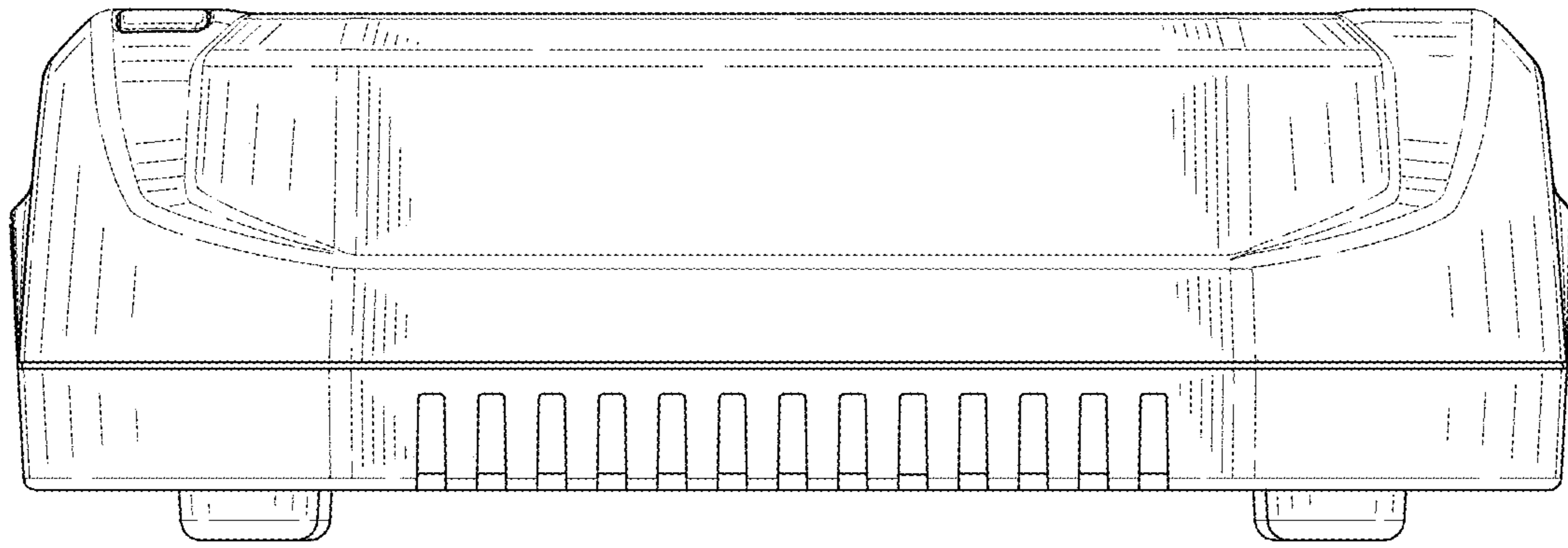


FIG. 3

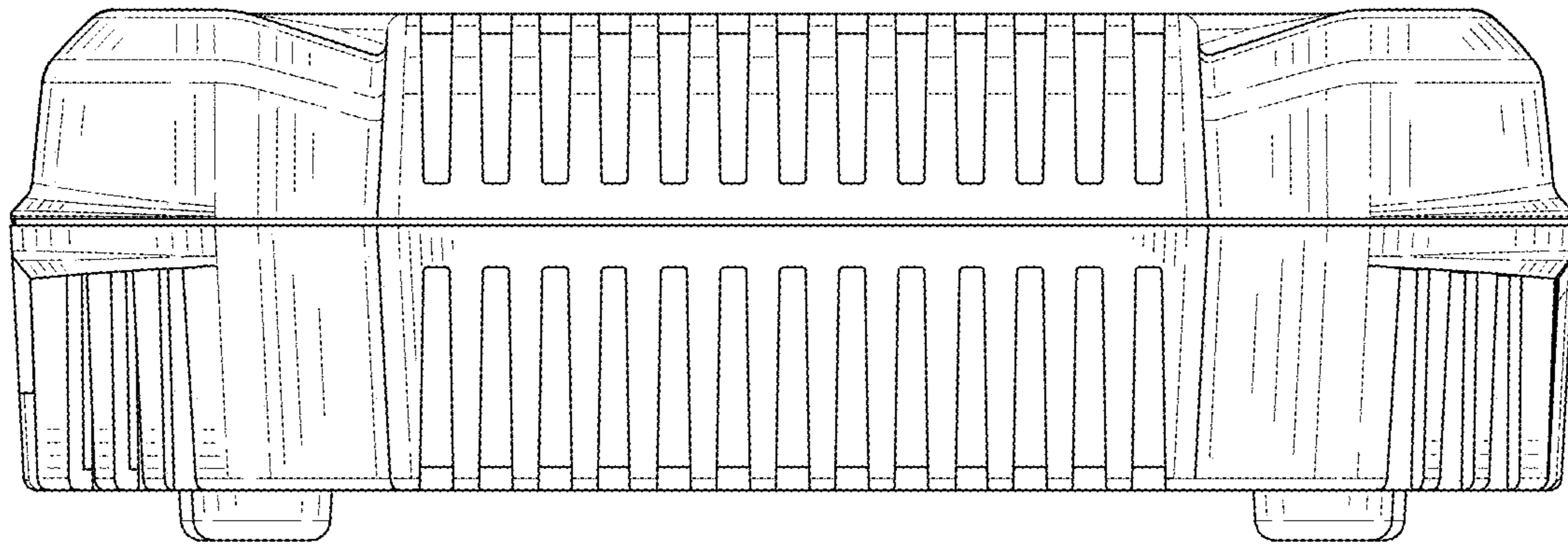


FIG. 4

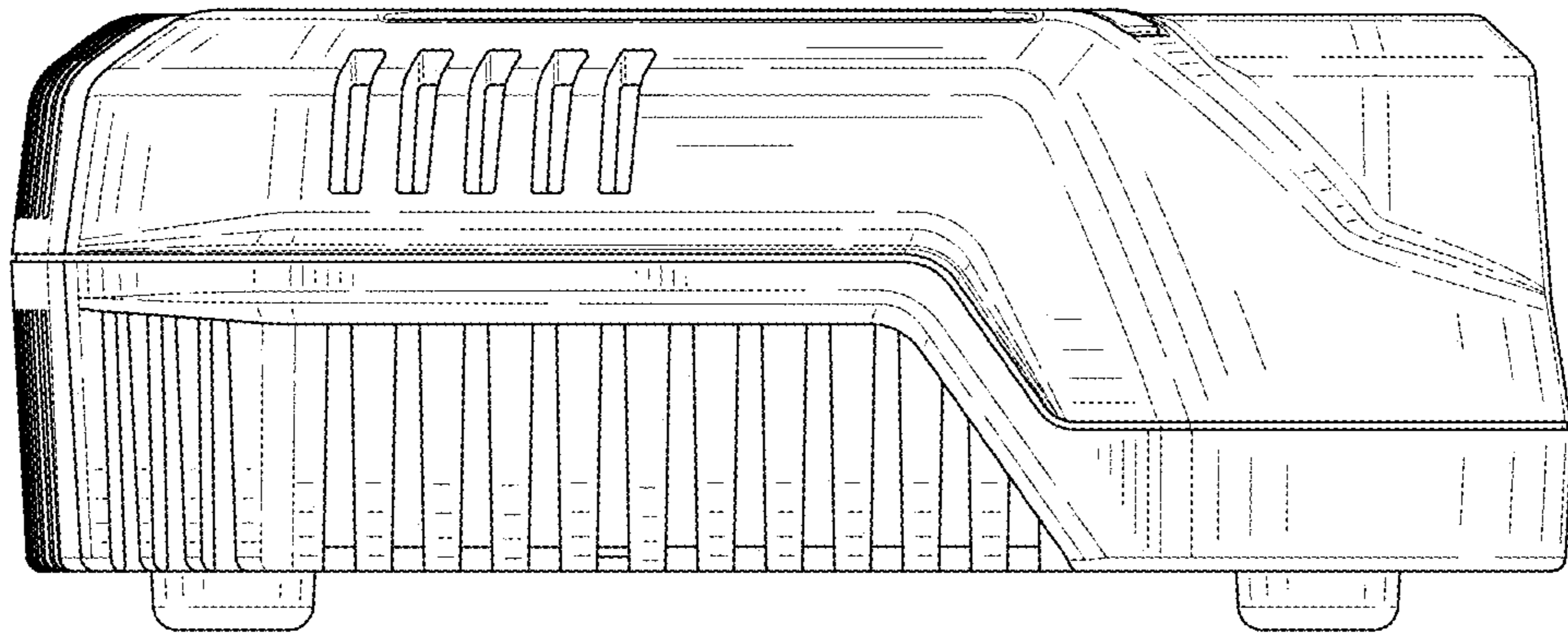


FIG. 5

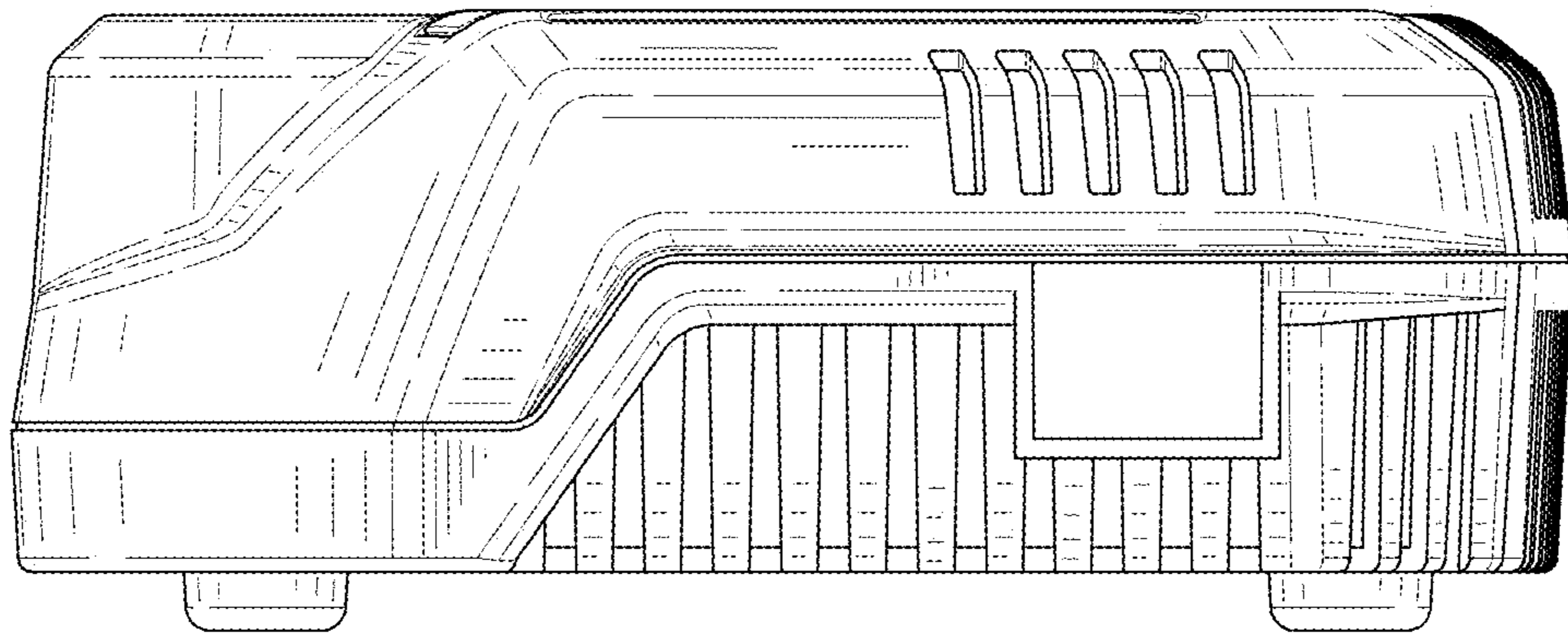


FIG. 6

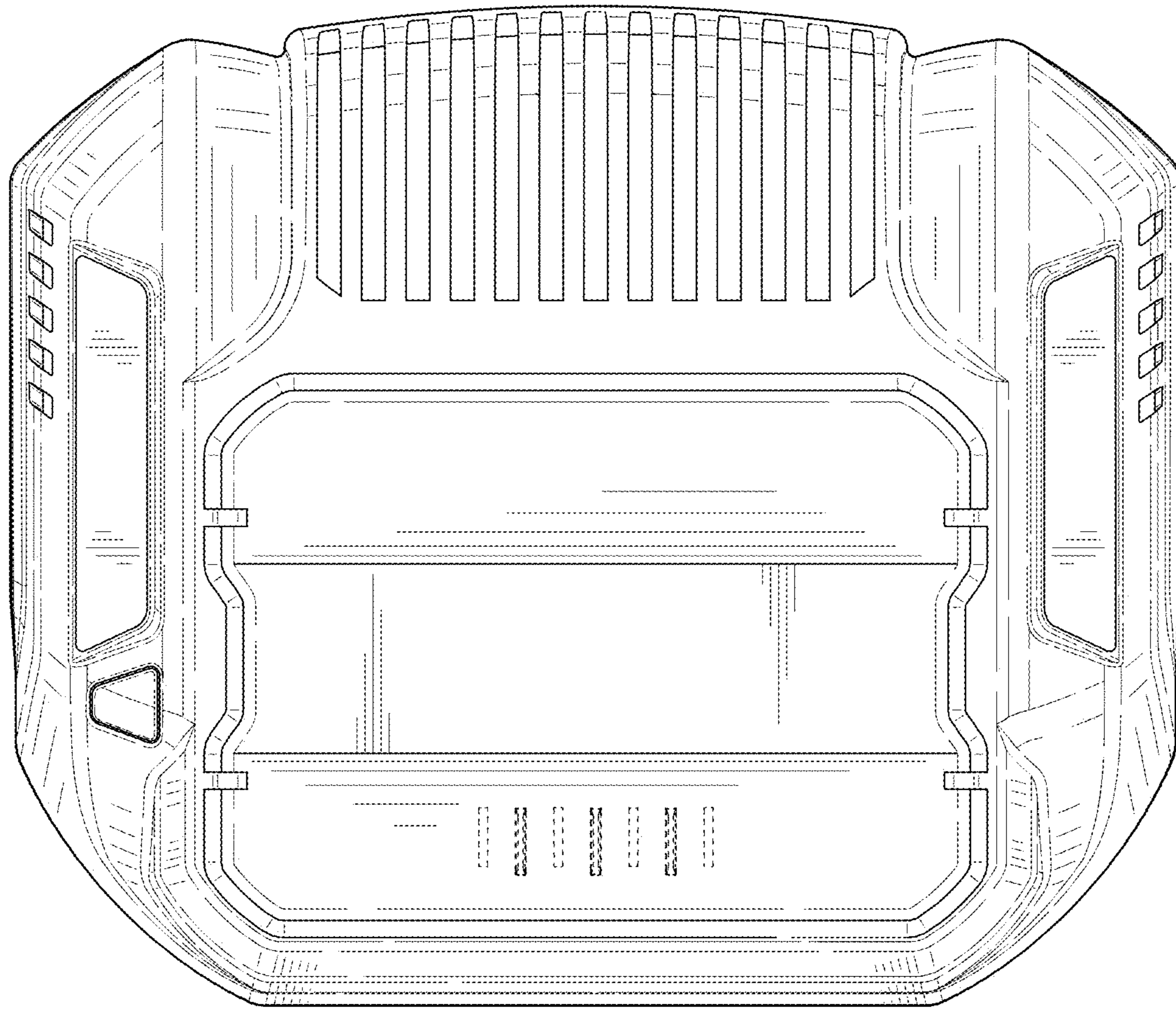


FIG. 7

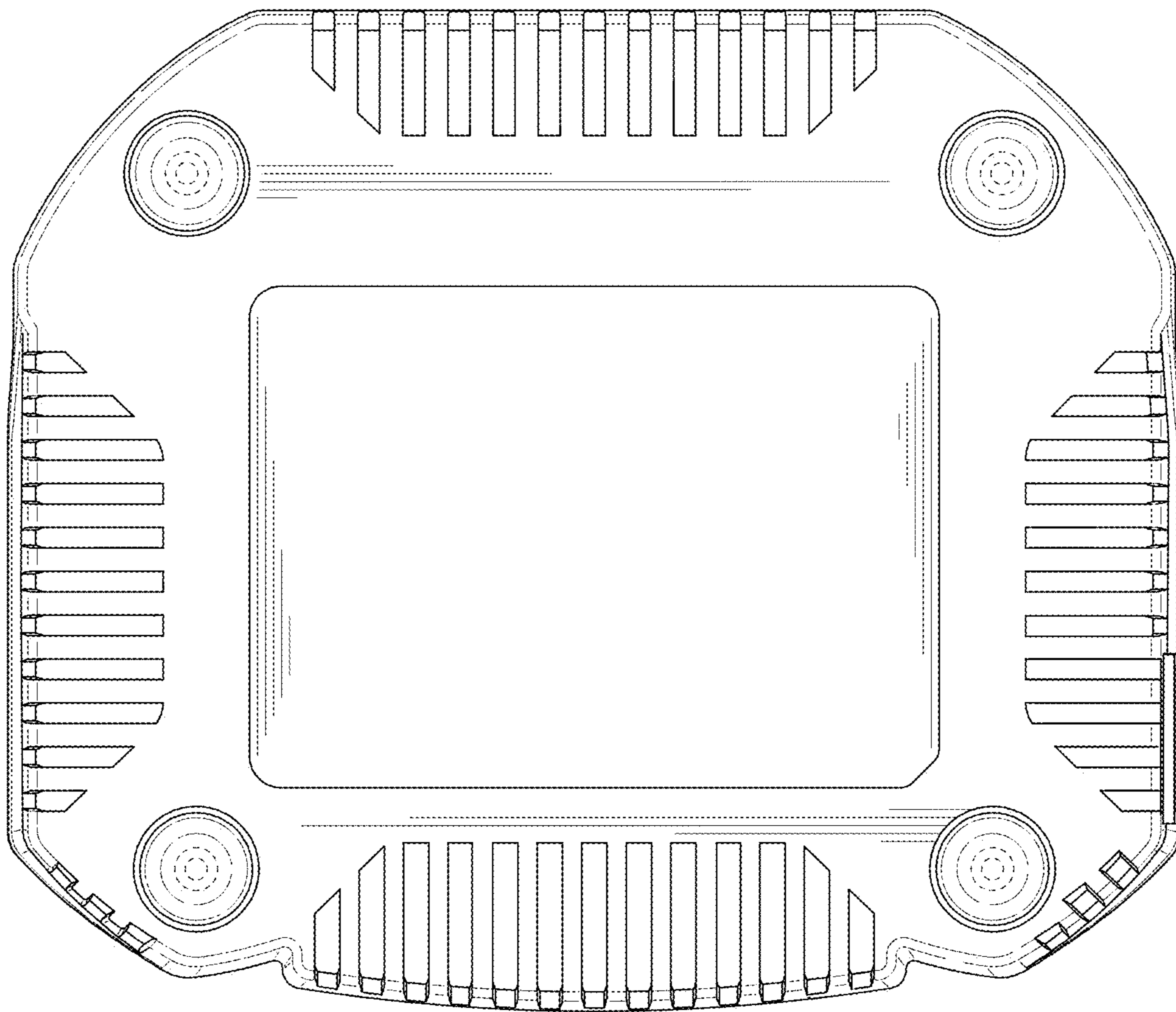


FIG. 8