



US00D904285S

(12) **United States Design Patent**
Ishizaka

(10) **Patent No.:** **US D904,285 S**

(45) **Date of Patent:** **** Dec. 8, 2020**

(54) **AUTOMOBILE TIRE**

D744,937 S * 12/2015 Wang D12/583
D886,714 S * 6/2020 Ayglon D12/583
D886,726 S * 6/2020 Kristen D12/603

(71) Applicant: **THE YOKOHAMA RUBBER CO., LTD.**, Tokyo (JP)

* cited by examiner

(72) Inventor: **Takahide Ishizaka**, Hiratsuka (JP)

Primary Examiner — Robert M. Spear

(73) Assignee: **THE YOKOHAMA RUBBER CO., LTD.**, Tokyo (JP)

(74) *Attorney, Agent, or Firm* — Banner & Witcoff, Ltd.

(**) Term: **15 Years**

(57) **CLAIM**

The ornamental design for an automobile tire, as shown and described.

(21) Appl. No.: **29/696,429**

DESCRIPTION

(22) Filed: **Jun. 27, 2019**

(30) **Foreign Application Priority Data**

Dec. 27, 2018 (JP) 2018-028726

(51) **LOC (12) Cl.** **12-15**

(52) **U.S. Cl.**
USPC **D12/590**

(58) **Field of Classification Search**
USPC D12/572, 582, 583, 584, 585, 588, 590,
D12/596, 597, 602, 603

CPC B60C 11/0302; B60C 11/0306; B60C
2011/0313; B60C 2011/0344; B60C
2011/0346

See application file for complete search history.

FIG. 1 is a perspective view of an automobile tire showing my design;

FIG. 2 is a front view thereof;

FIG. 3 is a rear view thereof;

FIG. 4 is a right side view thereof;

FIG. 5 is a left side view thereof;

FIG. 6 is a top view thereof;

FIG. 7 is a bottom view thereof;

FIG. 8 is a partially enlarged view of a portion defined by lines 8-8 shown in FIG. 1;

FIG. 9 is a partially enlarged view of a portion defined by lines 9-9 shown in FIG. 2; and,

FIG. 10 is a cross sectional view of a portion defined by lines 10-10 shown in FIG. 9.

In the drawings, the broken lines depict environmental subject matter only and form no part of the claimed design.

The dot and dashed lines represents a boundary between the claimed portion and the non-claimed portion.

(56) **References Cited**

U.S. PATENT DOCUMENTS

D389,102 S * 1/1998 Gillard D12/596
D632,245 S * 2/2011 Audigier D12/583

1 Claim, 10 Drawing Sheets

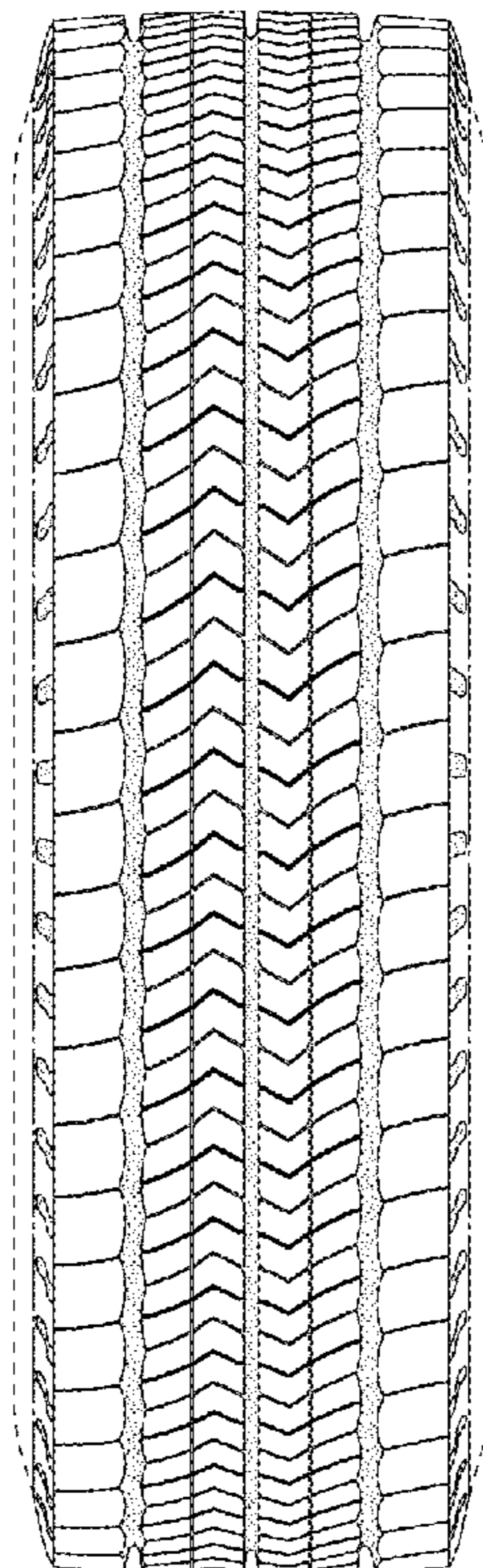


FIG. 1

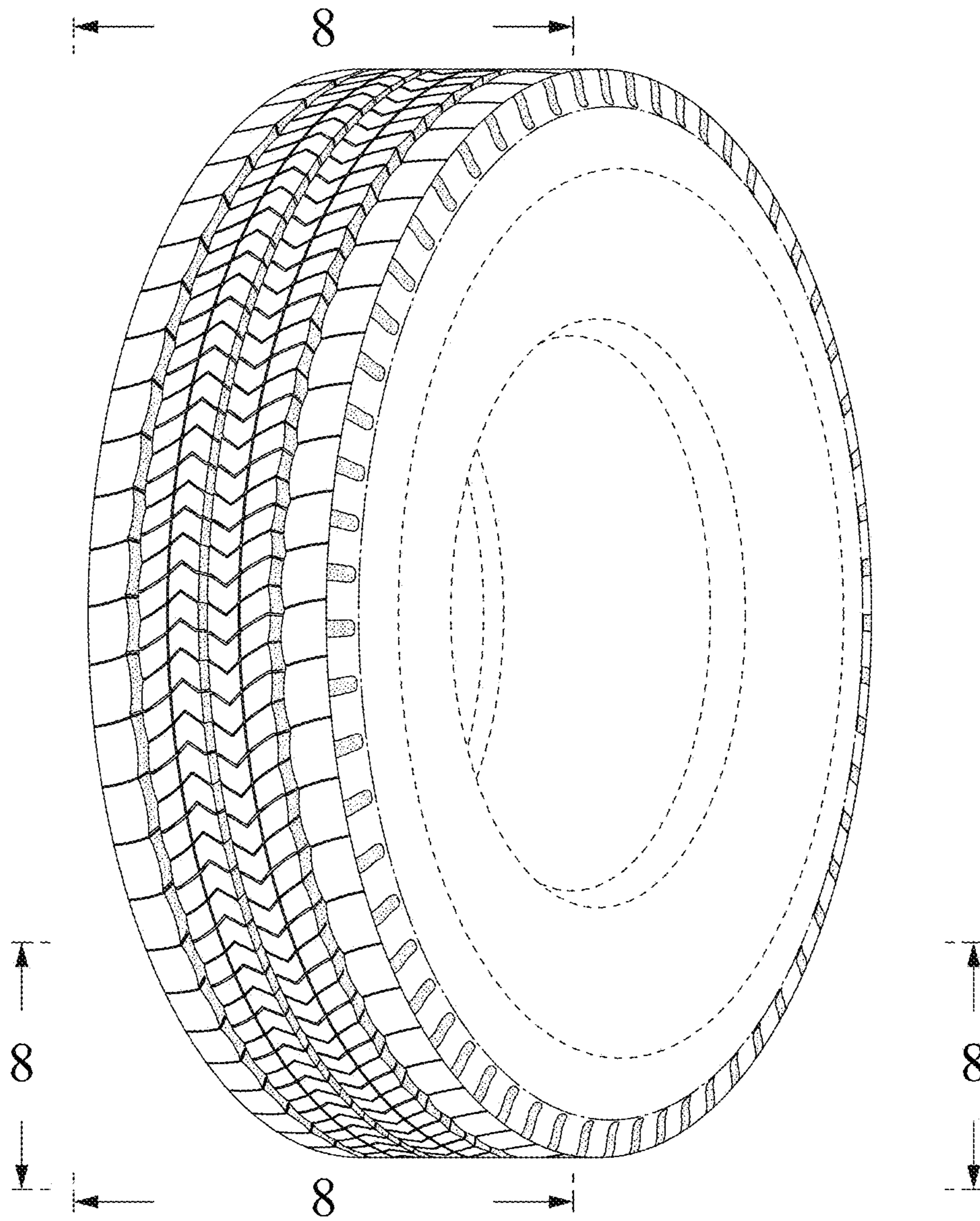


FIG. 2

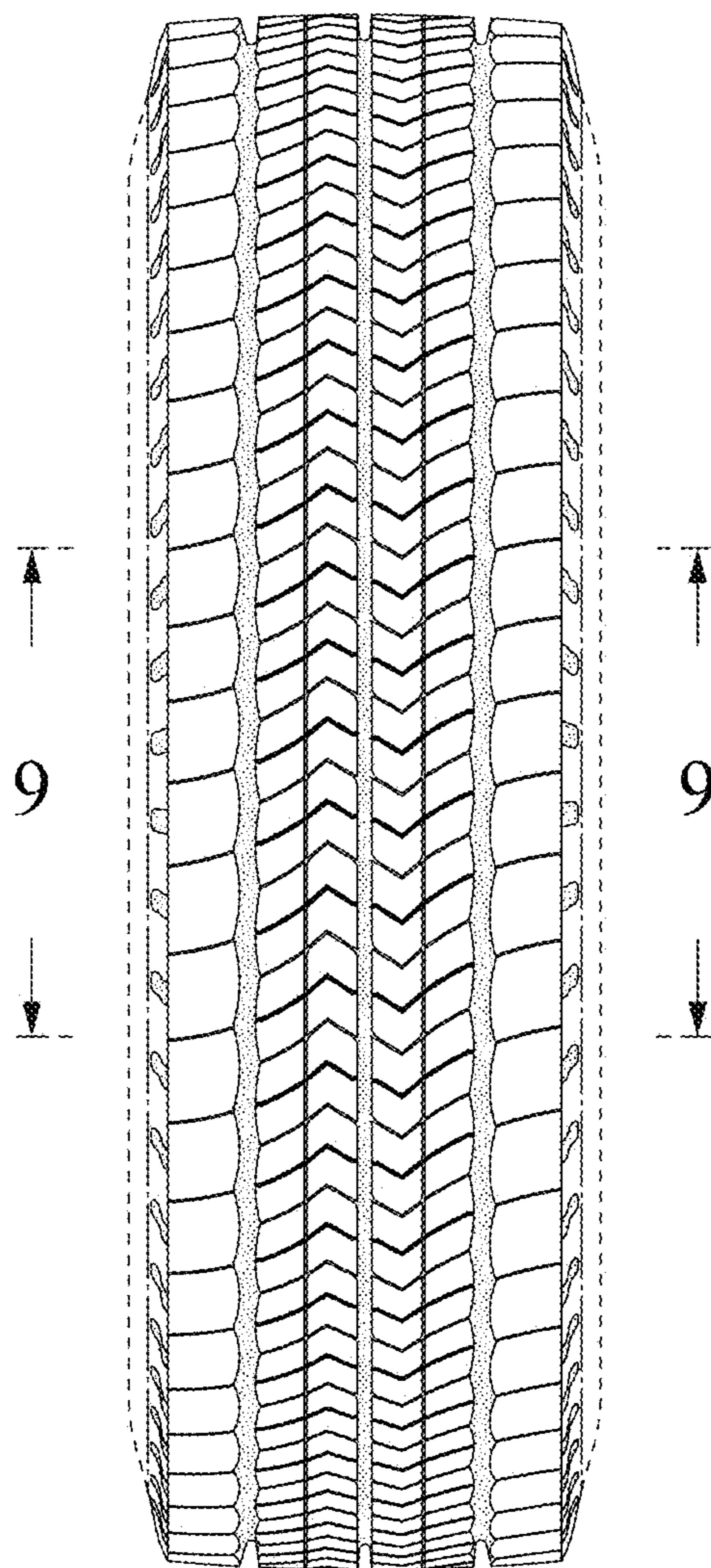


FIG. 3

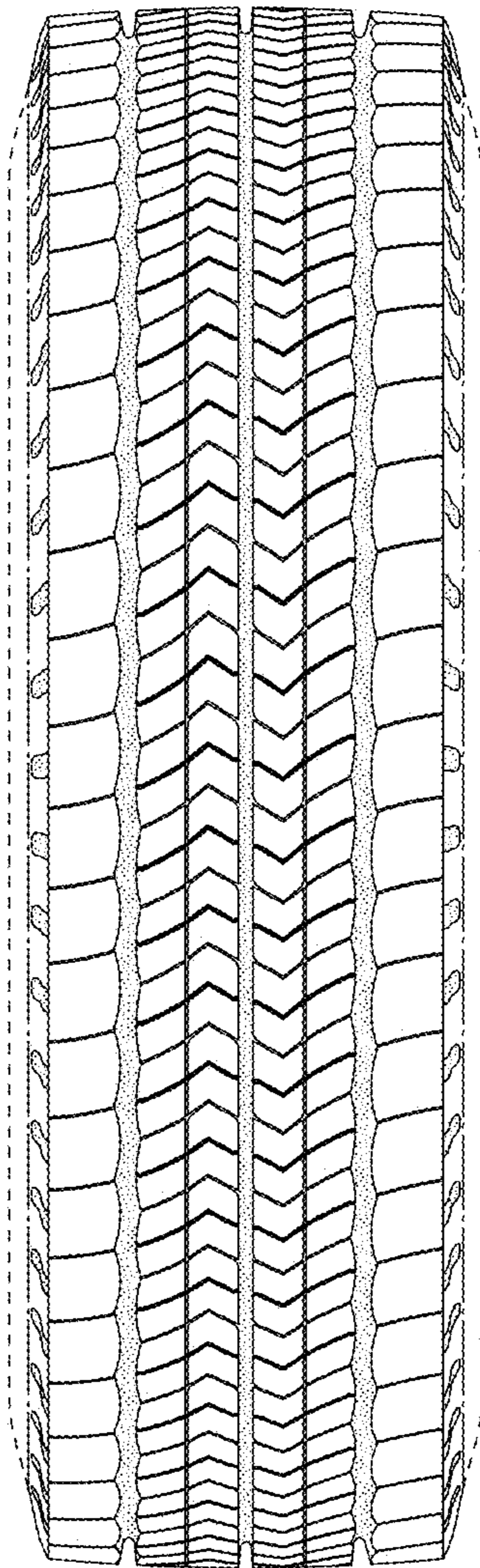


FIG. 4

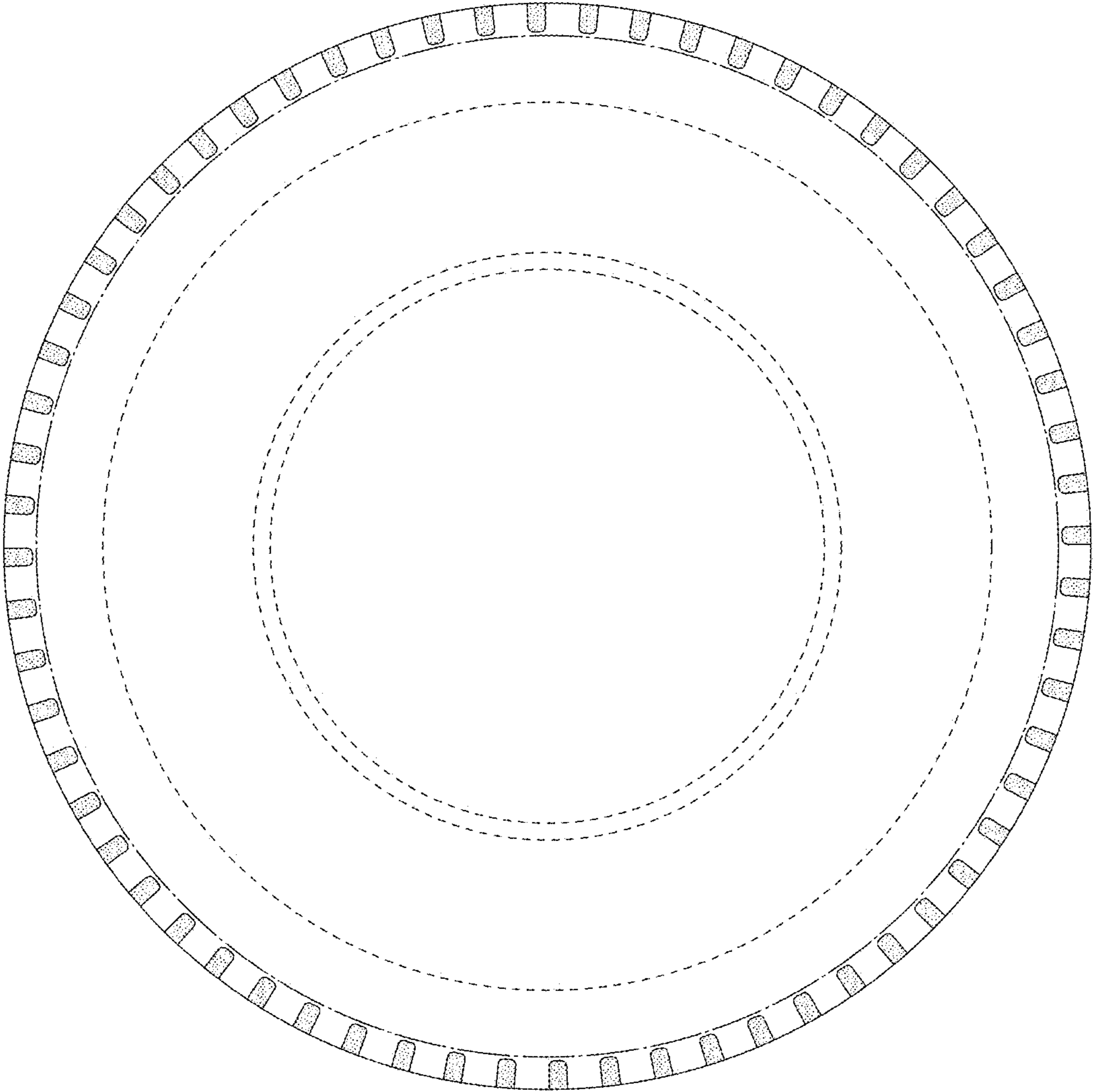


FIG. 5

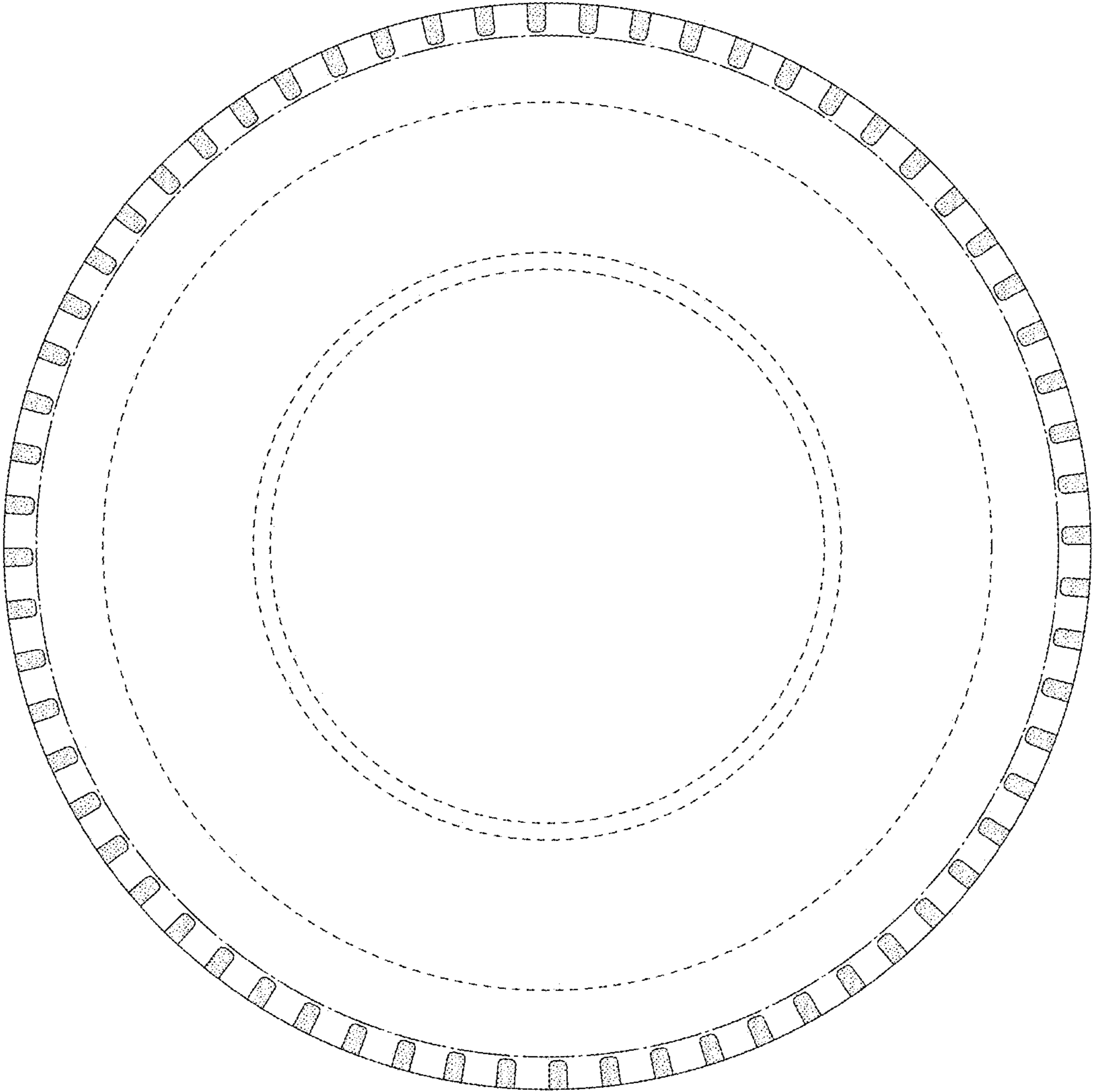


FIG. 6

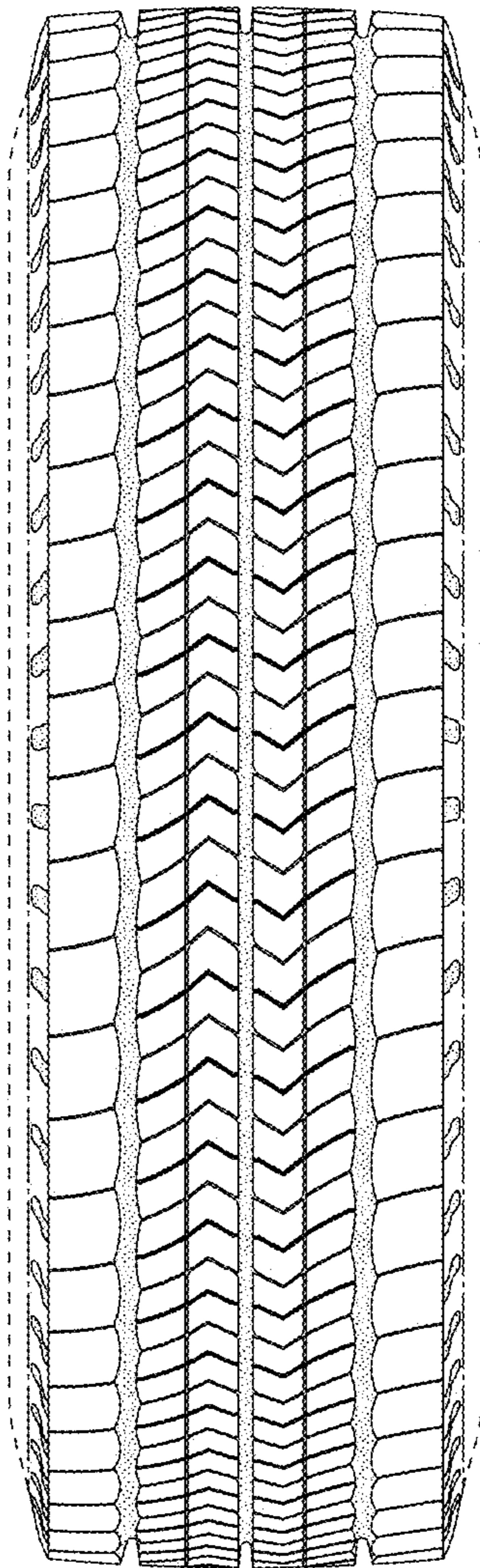


FIG. 7

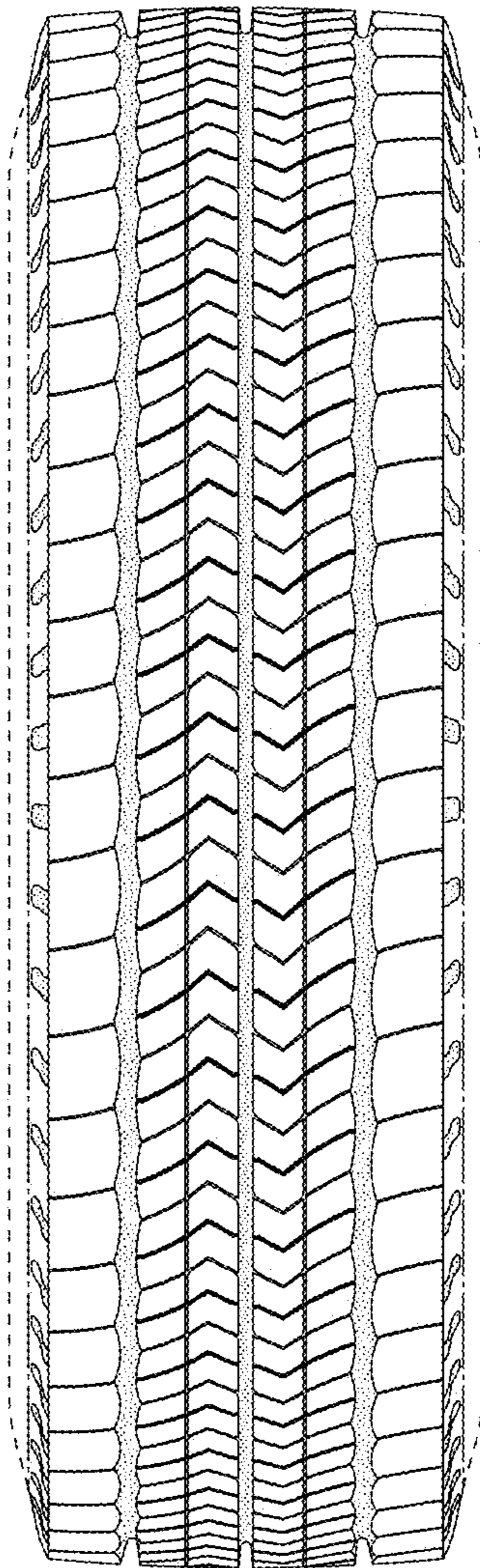


FIG. 8

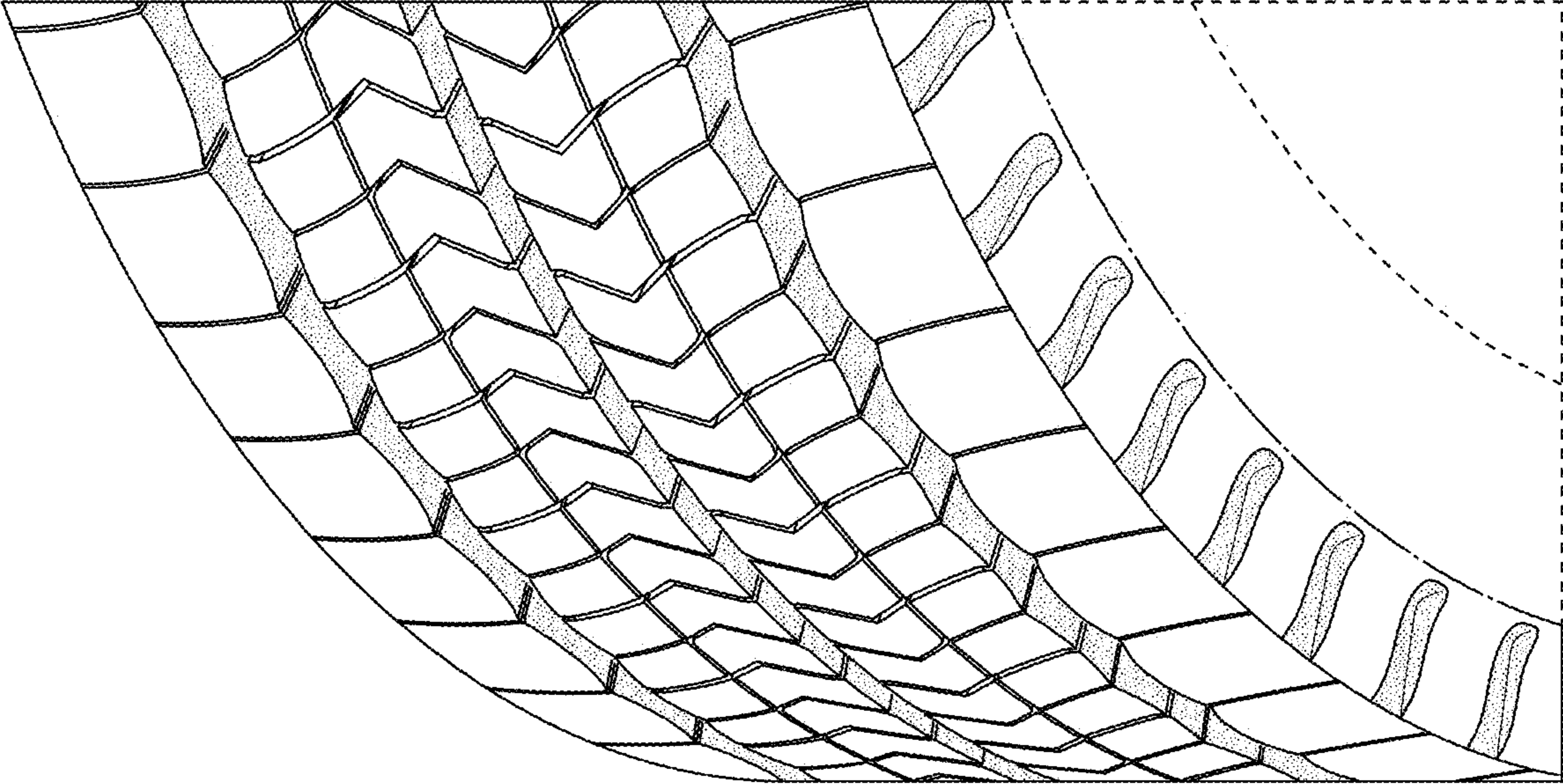


FIG. 9

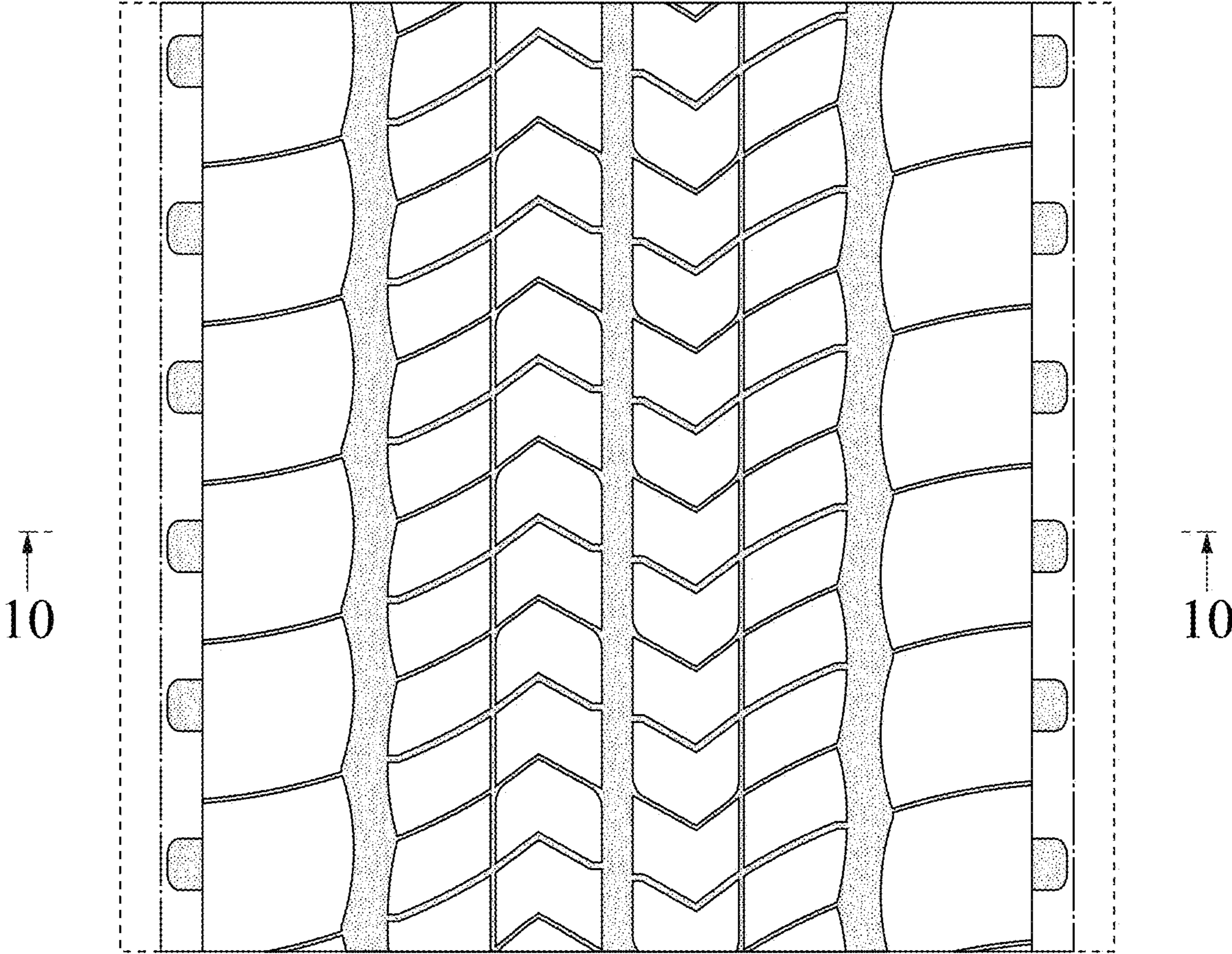


FIG. 10

