



US00D904280S

(12) **United States Design Patent**
Kuwahara

(10) **Patent No.:** **US D904,280 S**

(45) **Date of Patent:** **** Dec. 8, 2020**

(54) **AUTOMOBILE TIRE**

(71) Applicant: **THE YOKOHAMA RUBBER CO., LTD.**, Tokyo (JP)

(72) Inventor: **Noboru Kuwahara**, Tokyo (JP)

(73) Assignee: **THE YOKOHAMA RUBBER CO., LTD.**, Tokyo (JP)

(**) Term: **15 Years**

(21) Appl. No.: **29/706,577**

(22) Filed: **Sep. 20, 2019**

(30) **Foreign Application Priority Data**

Mar. 22, 2019 (JP) 2019-006097

(51) **LOC (12) Cl.** **12-15**

(52) **U.S. Cl.**
USPC **D12/517; D12/523; D12/605**

(58) **Field of Classification Search**
USPC D12/512, 514, 515, 517, 518, 519, 521,
D12/523, 524, 527, 528, 531, 532, 900
CPC B60C 3/06; B60C 9/17; B60C 11/0304
See application file for complete search history.

(56) **References Cited**

U.S. PATENT DOCUMENTS

D584,213 S *	1/2009	Shinkai	D12/519
D630,998 S *	1/2011	Schmalix	D12/519
D634,261 S *	3/2011	Schmalix	D12/519
D648,668 S *	11/2011	Kujime	D12/519
D667,358 S *	9/2012	Fontaine	D12/518
D708,116 S *	7/2014	Caron	D12/523
D729,147 S *	5/2015	Perrier	D12/518
D758,954 S *	6/2016	Albouy	D12/518
D761,716 S *	7/2016	Albouy	D12/519
D787,425 S *	5/2017	Kossi	D12/523
D794,539 S *	8/2017	Bindner	D12/523

(Continued)

Primary Examiner — Robert M. Spear

(74) Attorney, Agent, or Firm — Banner & Witcoff, Ltd.

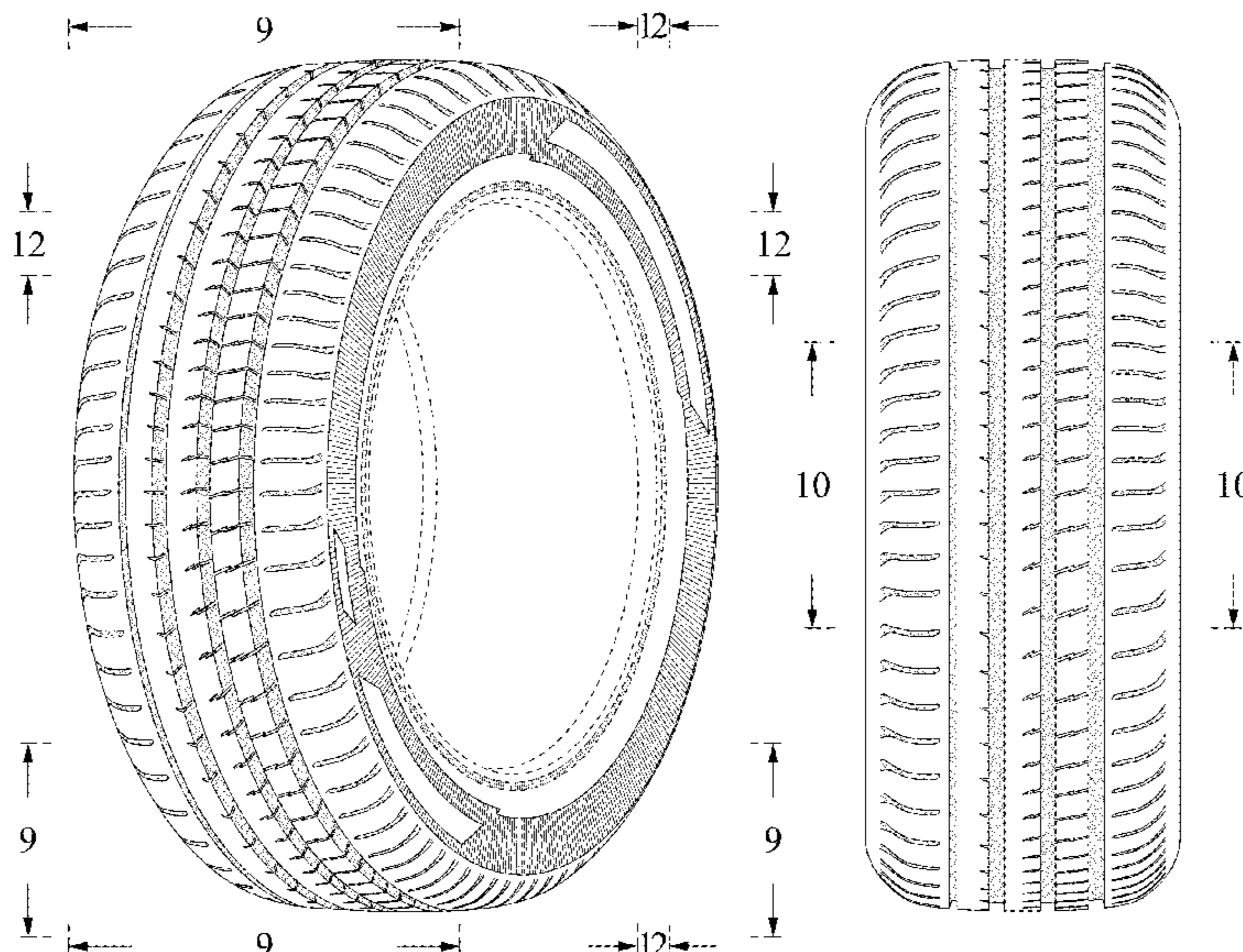
(57) **CLAIM**

The ornamental design for an automobile tire, as shown and described.

DESCRIPTION

FIG. 1 is a perspective view showing front and right sides of an automobile tire showing my design;
 FIG. 2 is a perspective view showing front and left sides thereof;
 FIG. 3 is a front view thereof;
 FIG. 4 is a rear view thereof;
 FIG. 5 is a right side view thereof;
 FIG. 6 is a left side view thereof;
 FIG. 7 is a top view thereof;
 FIG. 8 is a bottom view thereof;
 FIG. 9 is a partially enlarged view of a portion defined by lines 9-9 shown in FIG. 1;
 FIG. 10 is a partially enlarged view of a portion defined by lines 10-10 shown in FIG. 3;
 FIG. 11 is a cross sectional view of a portion defined by lines 11-11 shown in FIG. 10;
 FIG. 12 is a partially enlarged view of a portion defined by lines 12-12 shown in FIG. 1;
 FIG. 13 is a partially enlarged view of a portion defined by lines 13-13 shown in FIG. 2;
 FIG. 14 is a partially enlarged view of a portion defined by lines 14-14 shown in FIG. 5;
 FIG. 15 is a partially enlarged view of a portion defined by lines 15-15 shown in FIG. 6;
 FIG. 16 is a cross sectional view of a portion defined by lines 16-16 shown in FIG. 14; and,
 FIG. 17 is a cross sectional view of a portion defined by lines 17-17 shown in FIG. 15.
 In the drawings, the broken lines depict environmental subject matter only and form no part of the claimed design.

1 Claim, 17 Drawing Sheets



(56)

References Cited

U.S. PATENT DOCUMENTS

D833,371 S	*	11/2018	Takahashi	D12/517
D846,484 S	*	4/2019	Raganella	D12/523
D882,494 S	*	4/2020	Philipot	D12/523
D883,904 S	*	5/2020	Matsumoto	D12/523
D887,342 S	*	6/2020	Moia	D12/521
D887,343 S	*	6/2020	Hoshiba	D12/523

* cited by examiner

FIG. 1

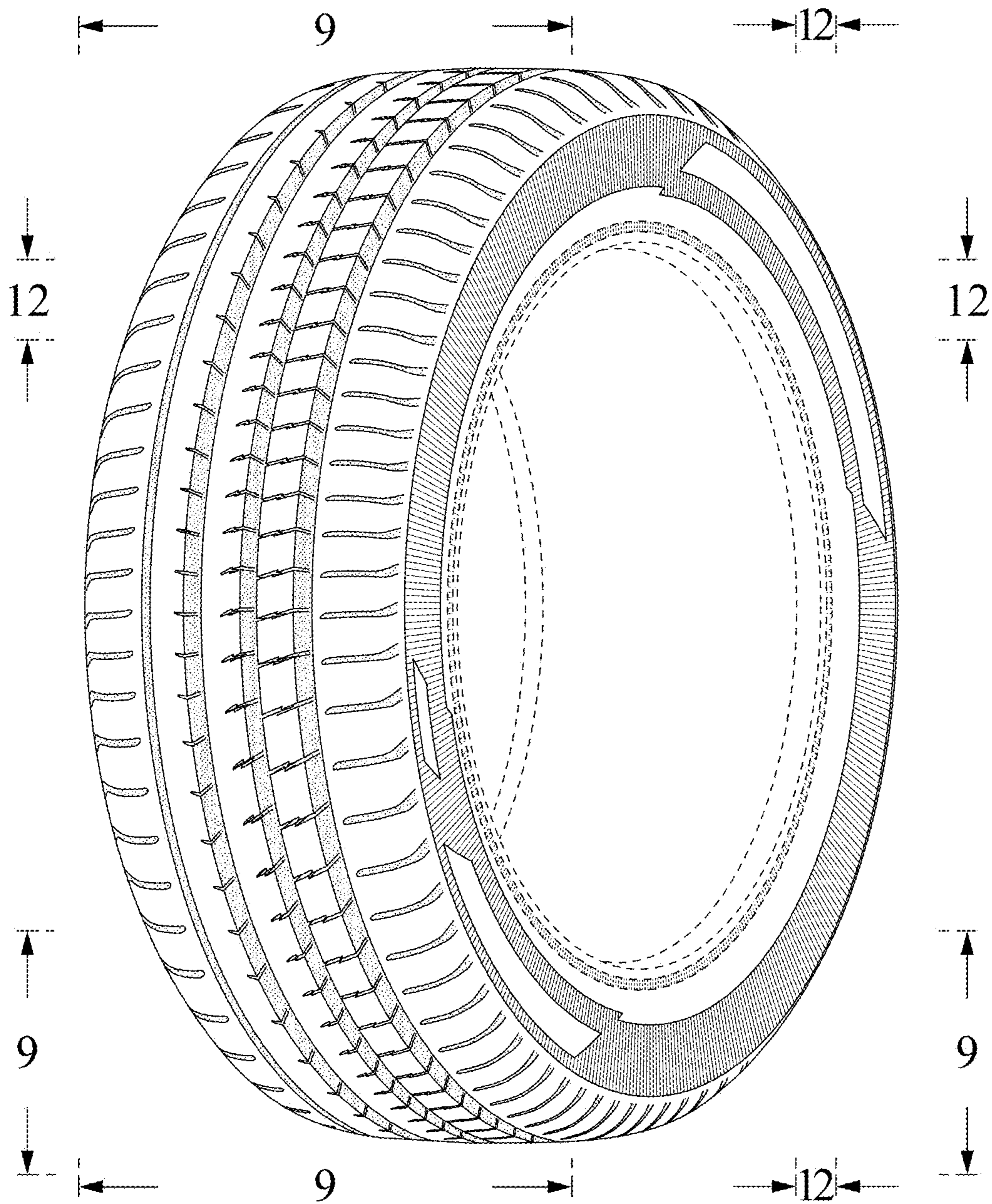


FIG. 2

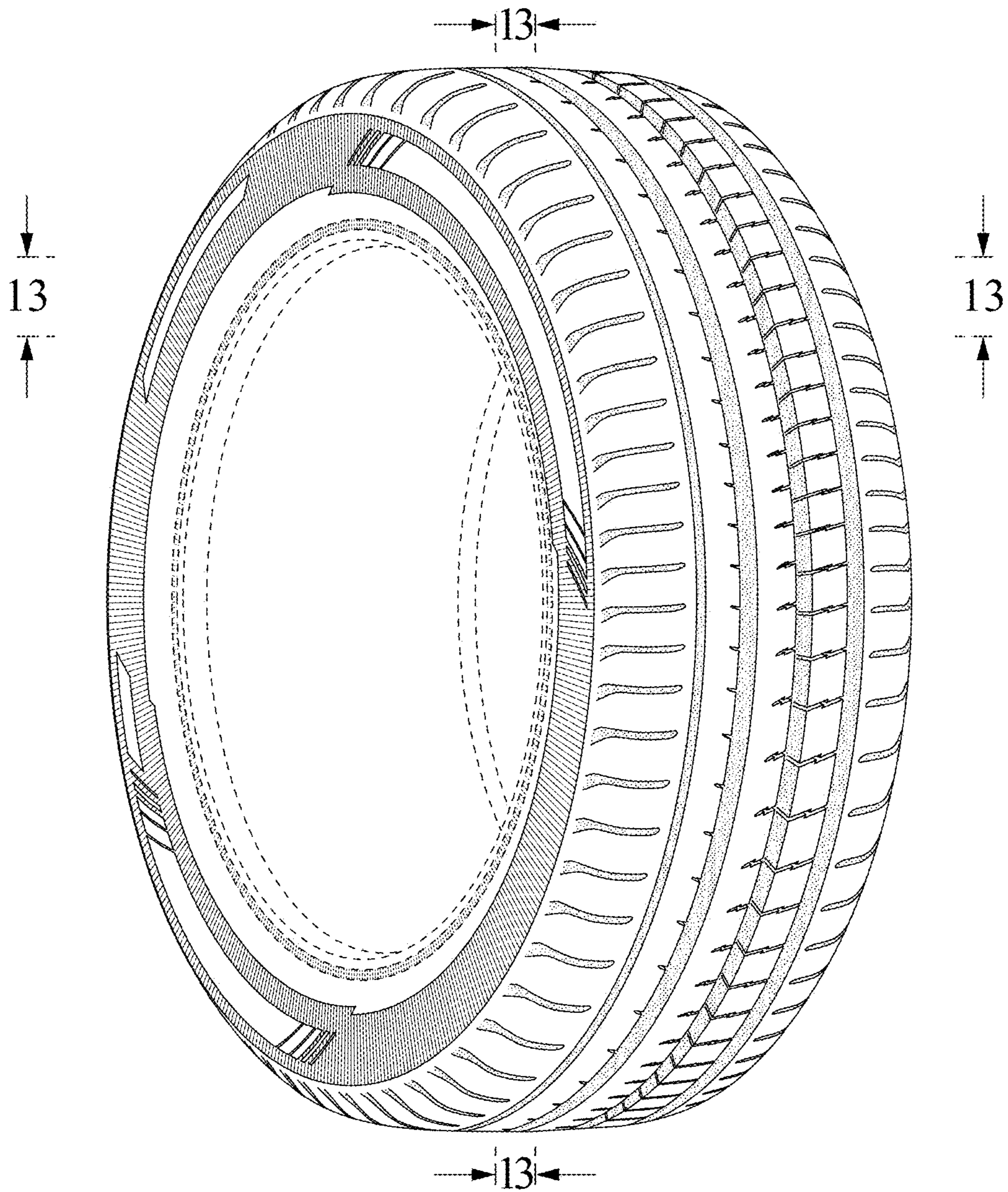


FIG. 3

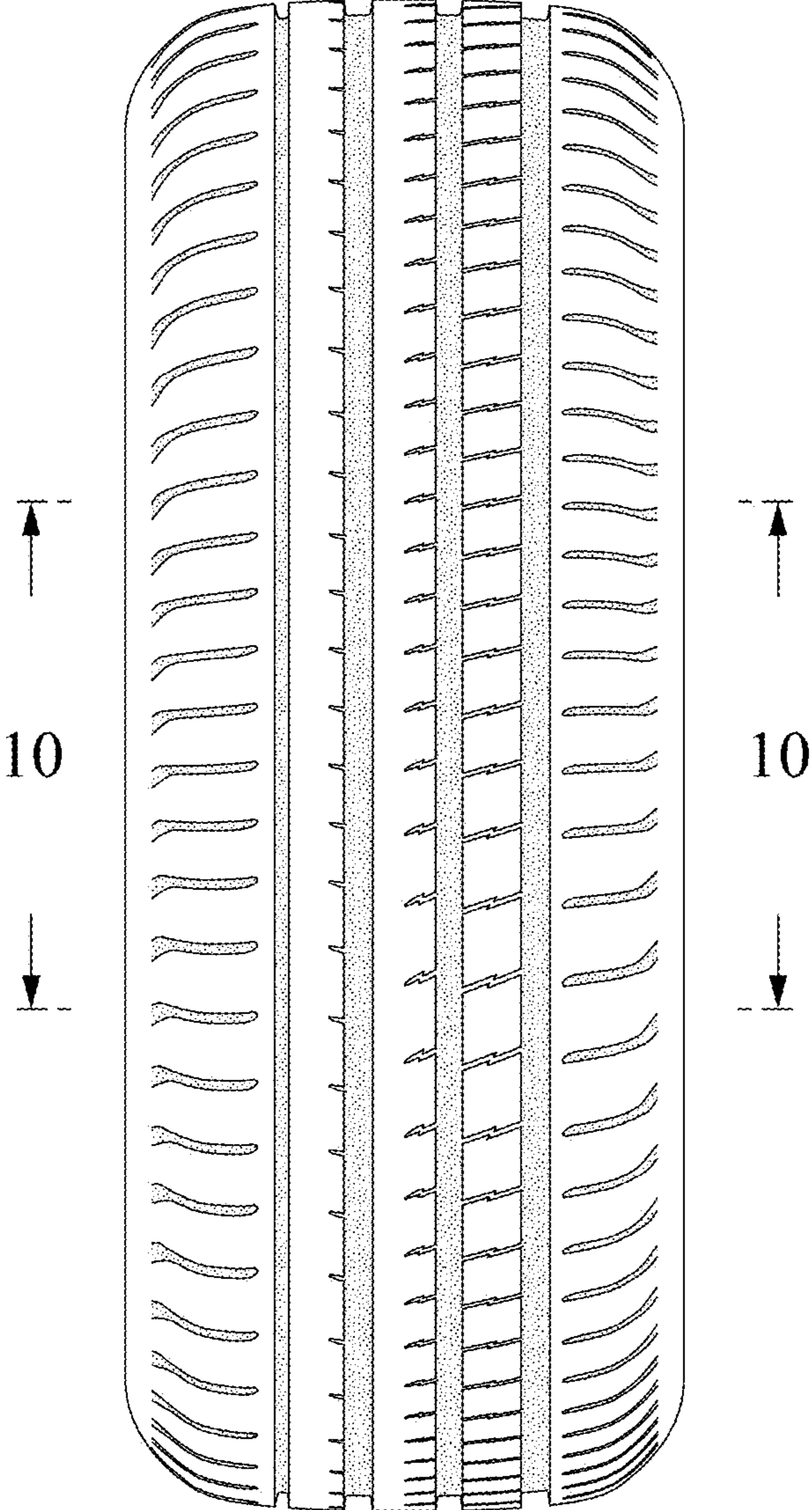


FIG. 4

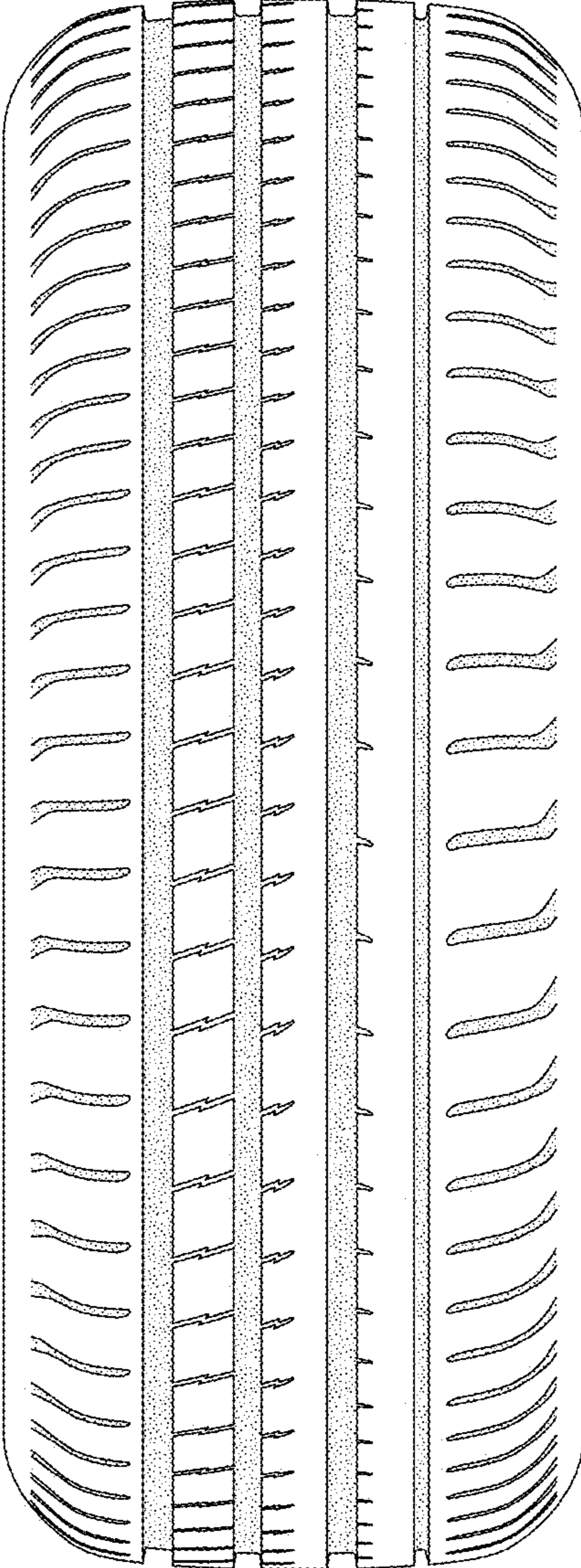


FIG. 5

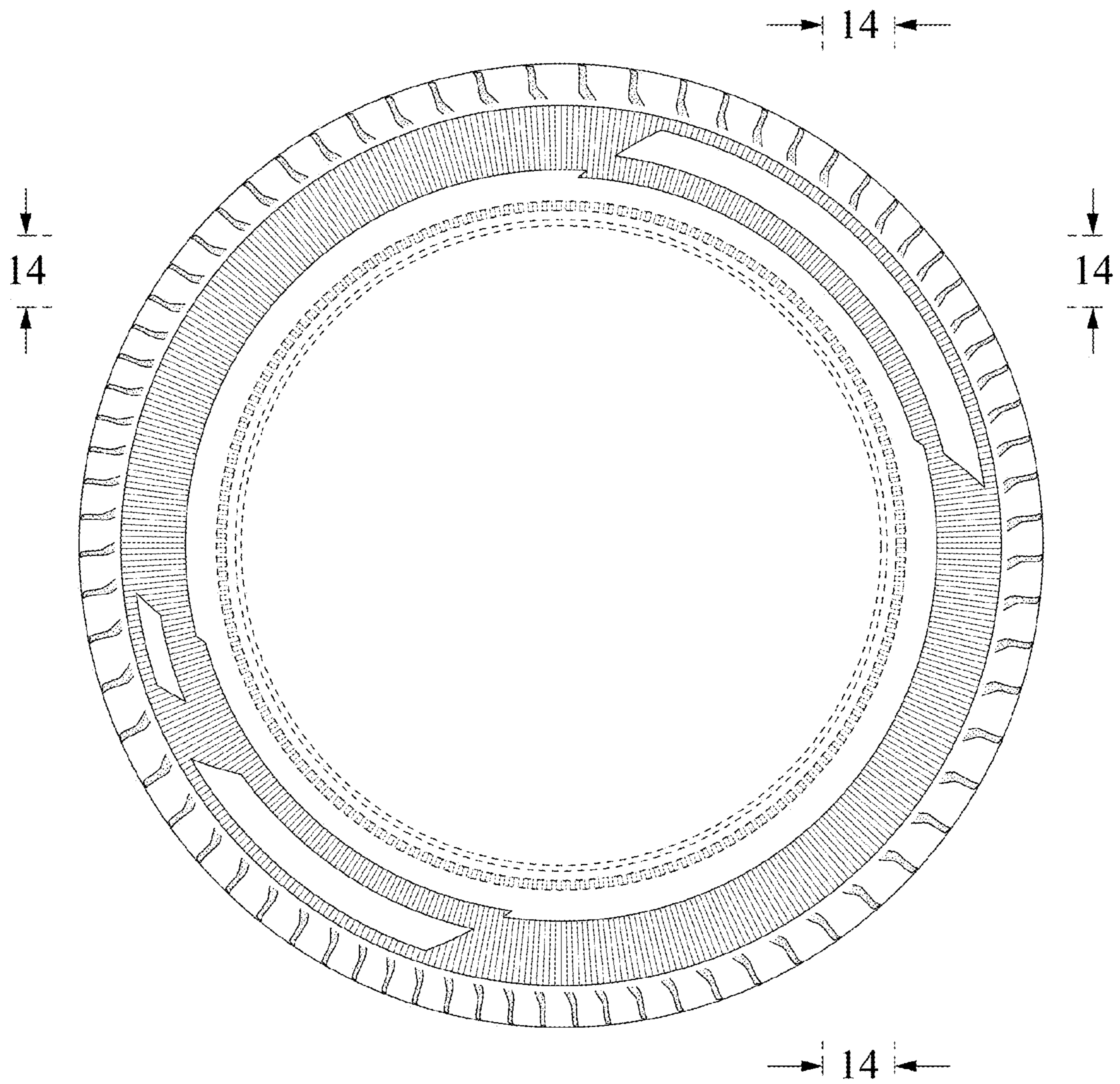


FIG. 6

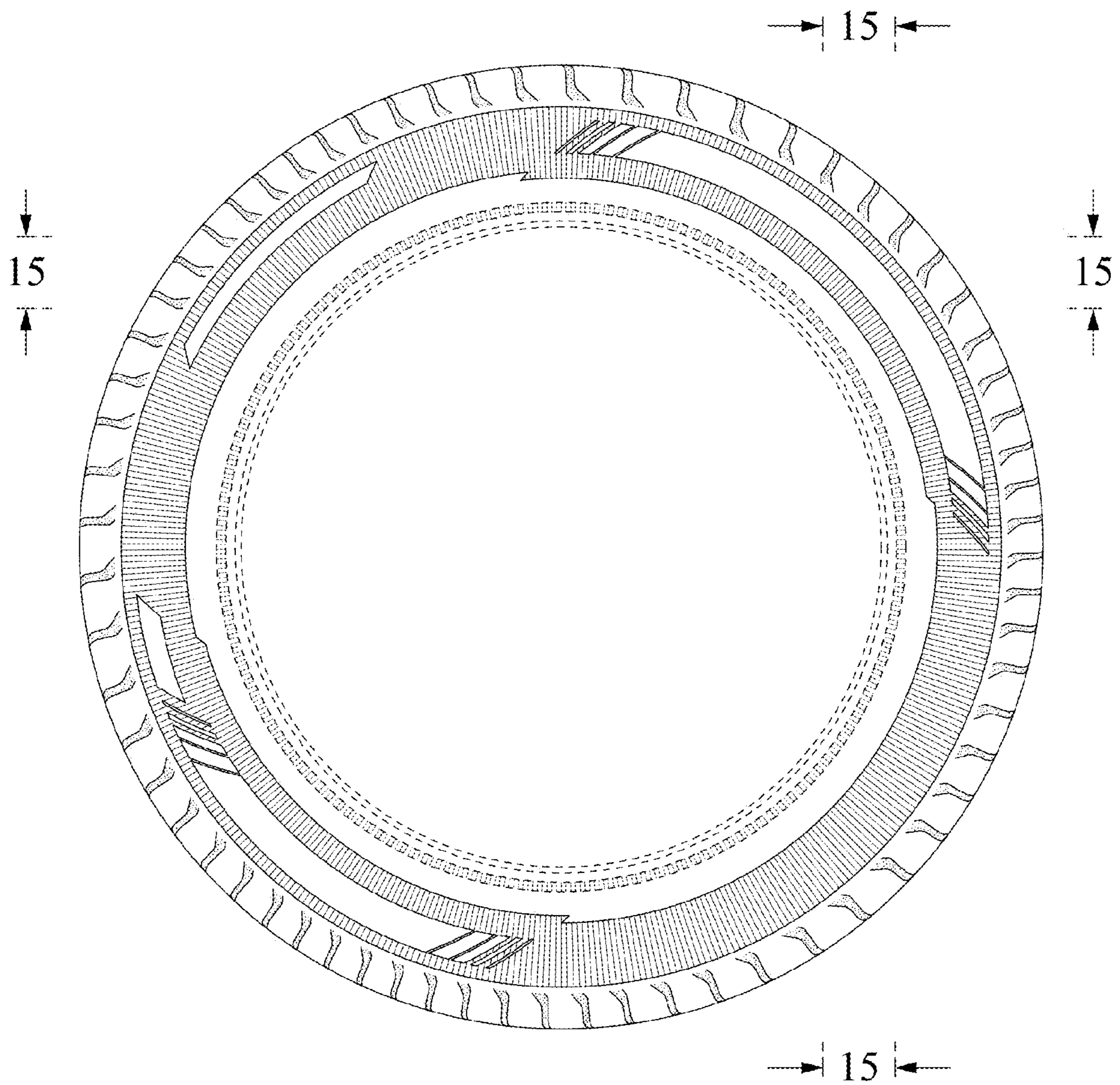


FIG. 7

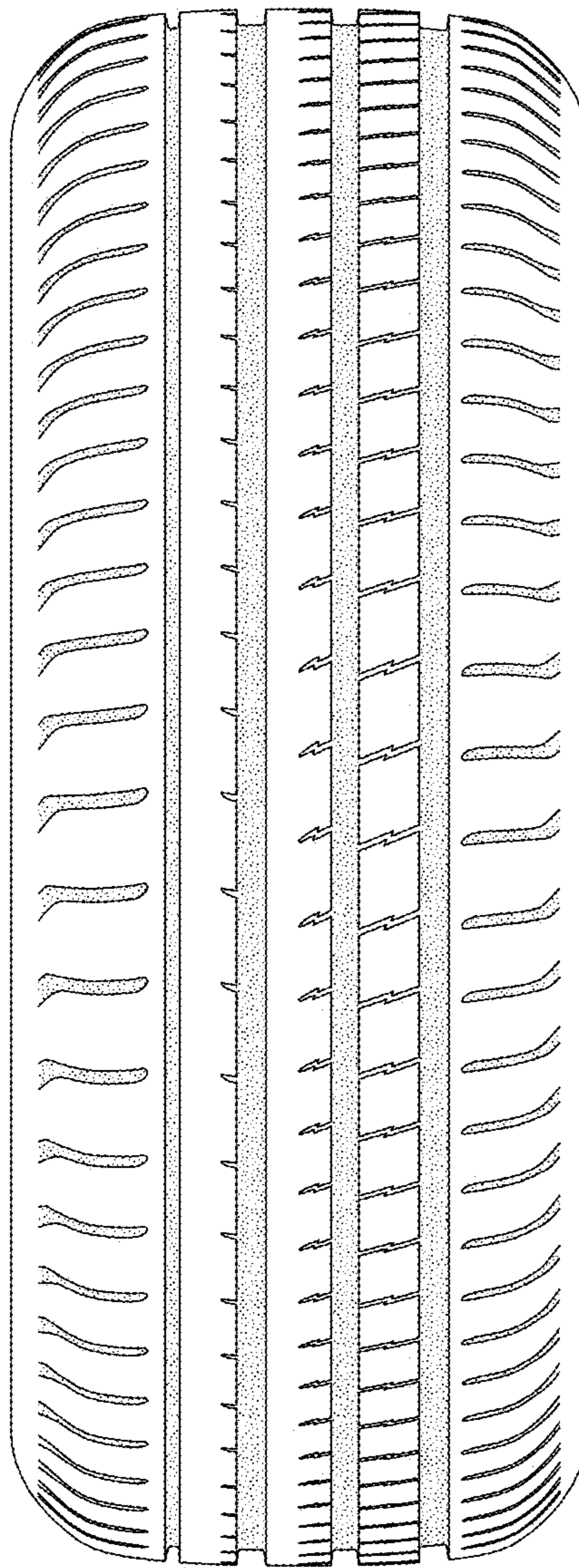


FIG. 8

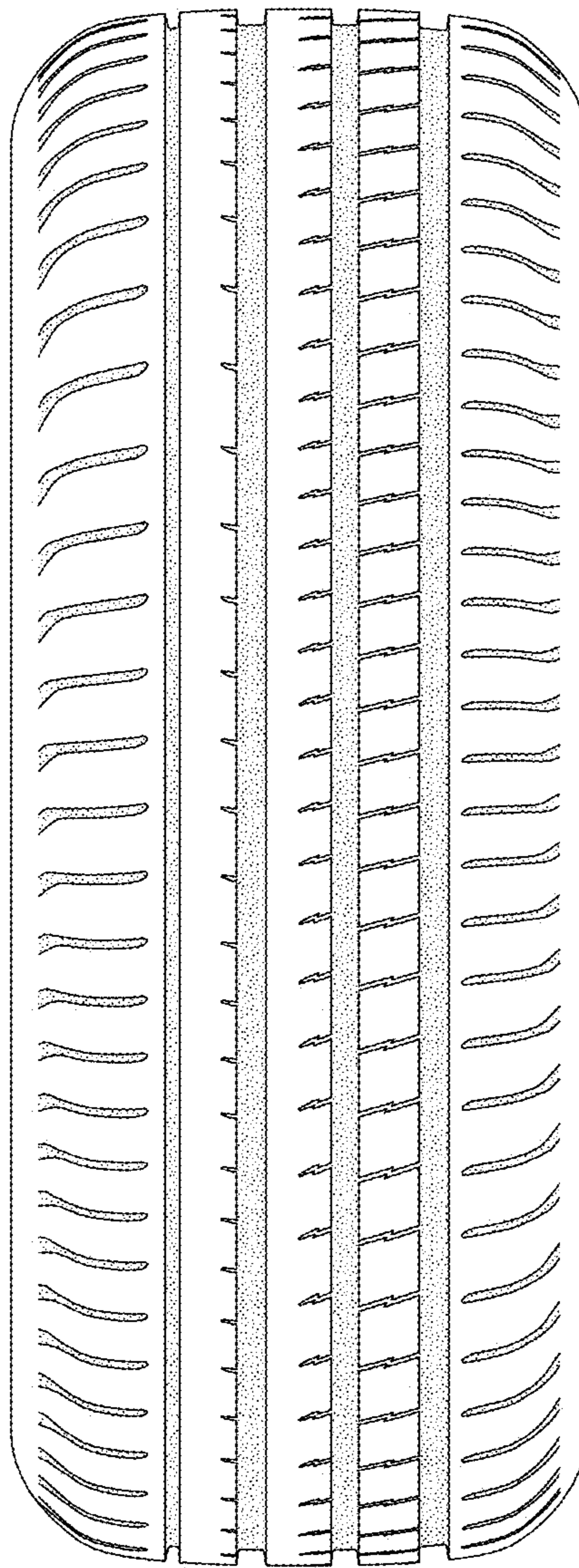


FIG. 9

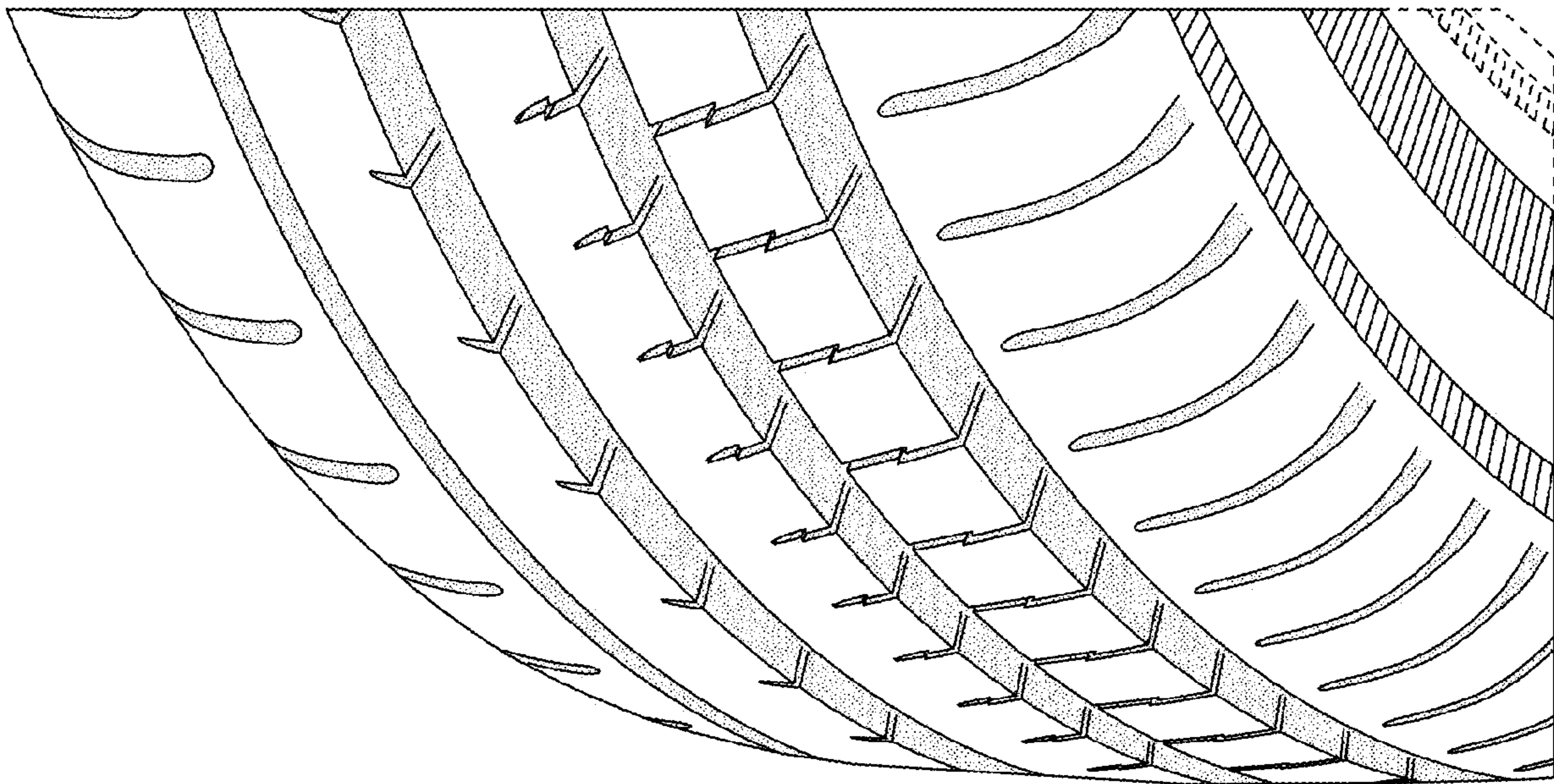


FIG. 11

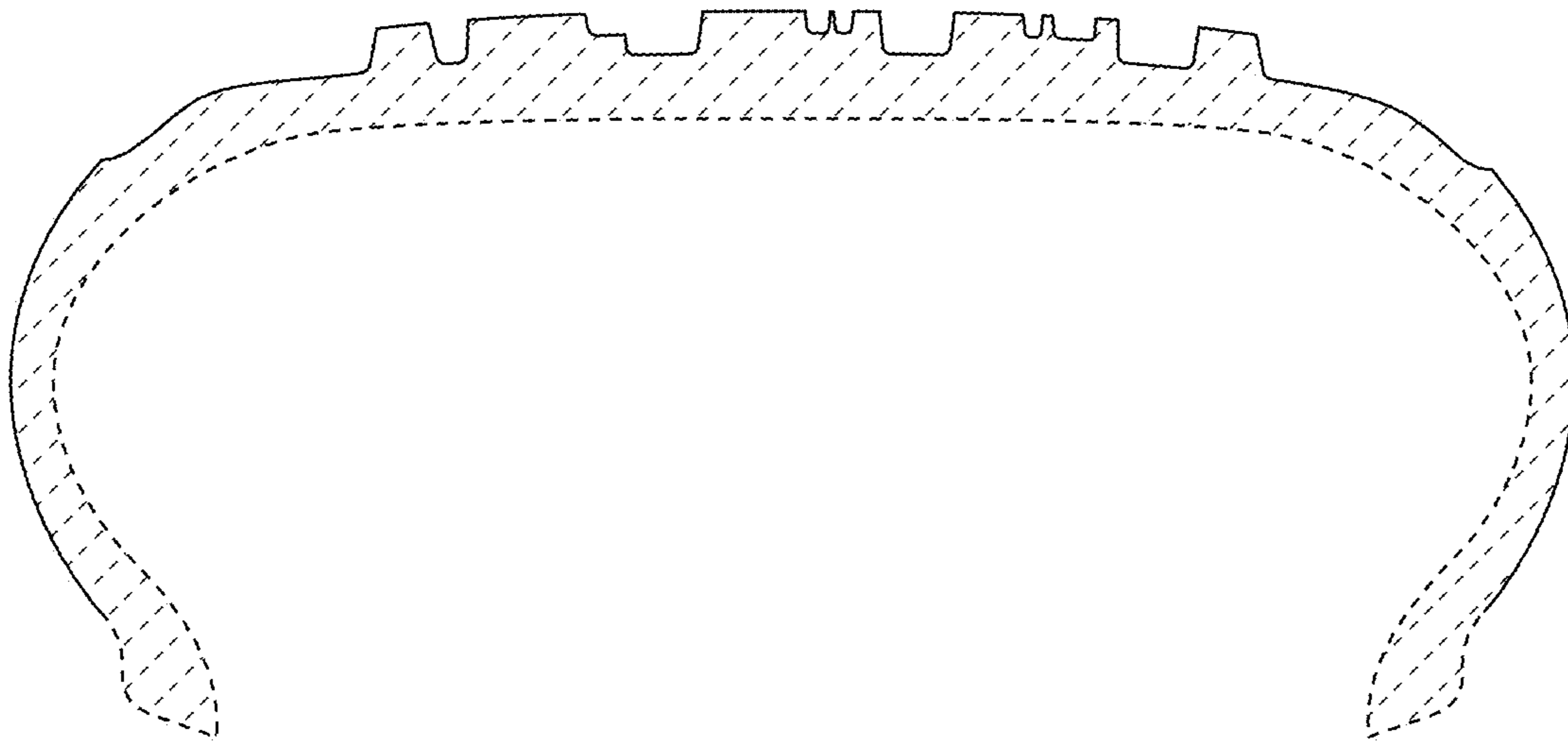


FIG. 12

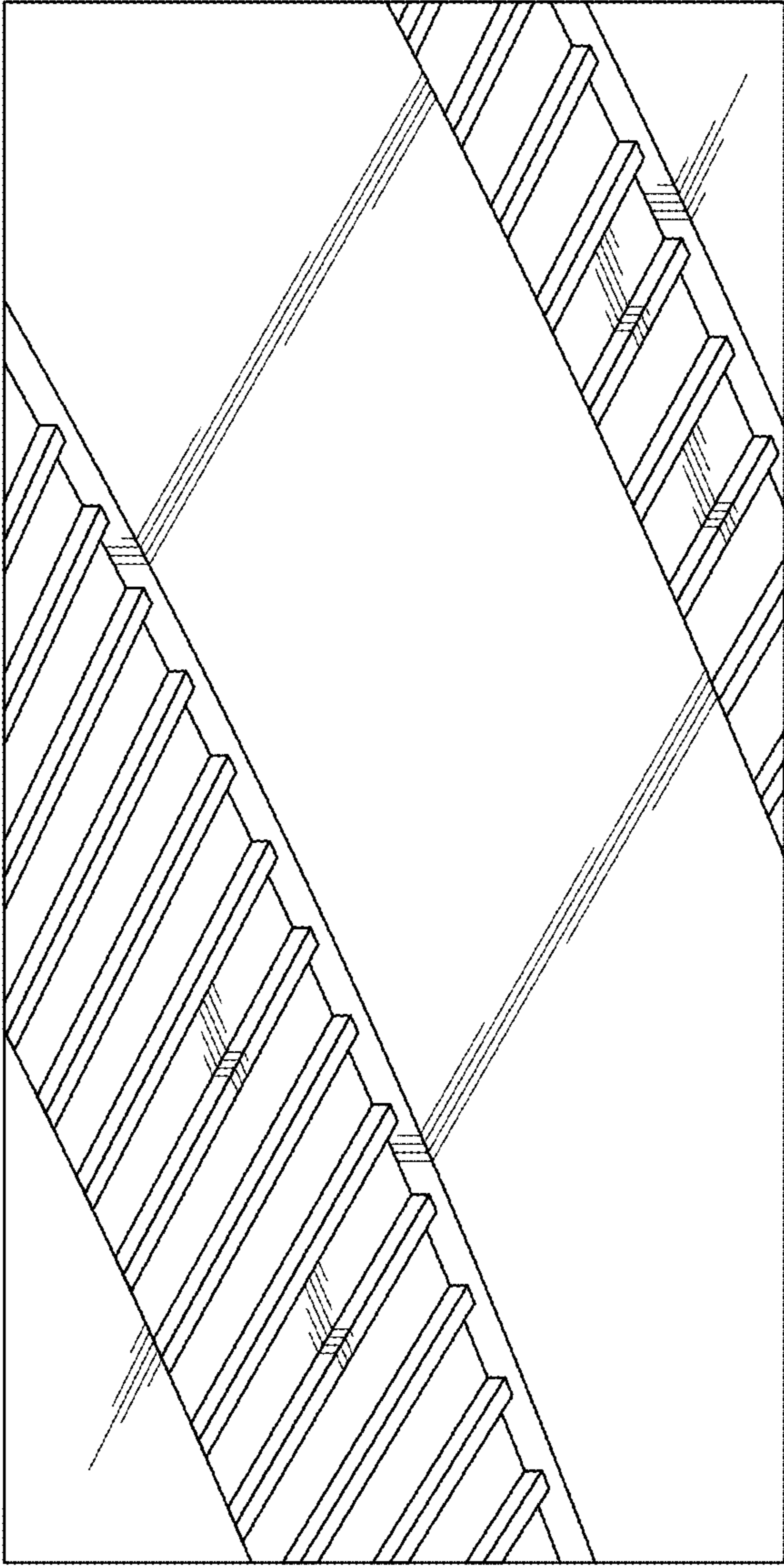


FIG. 13

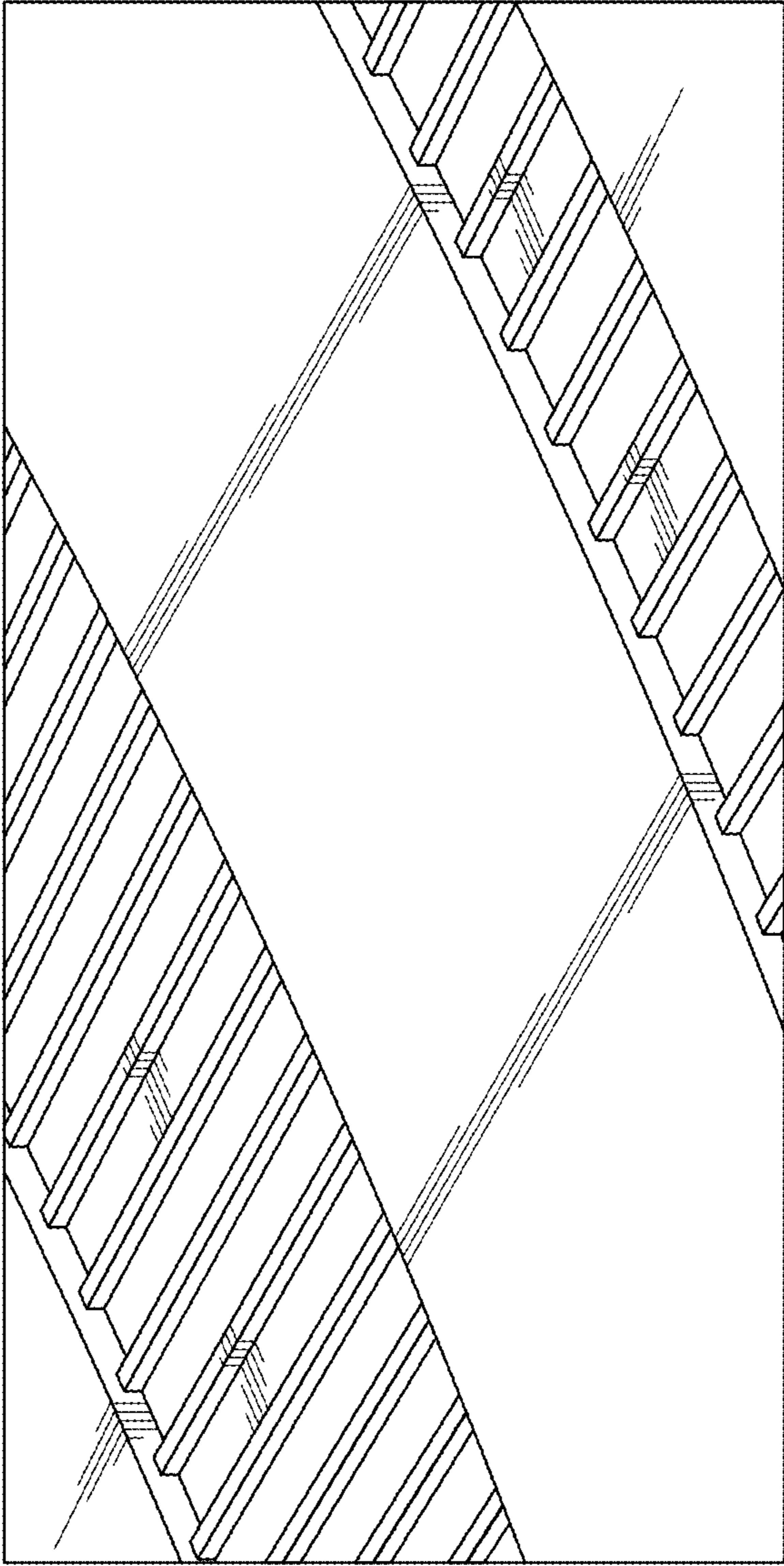


FIG. 14

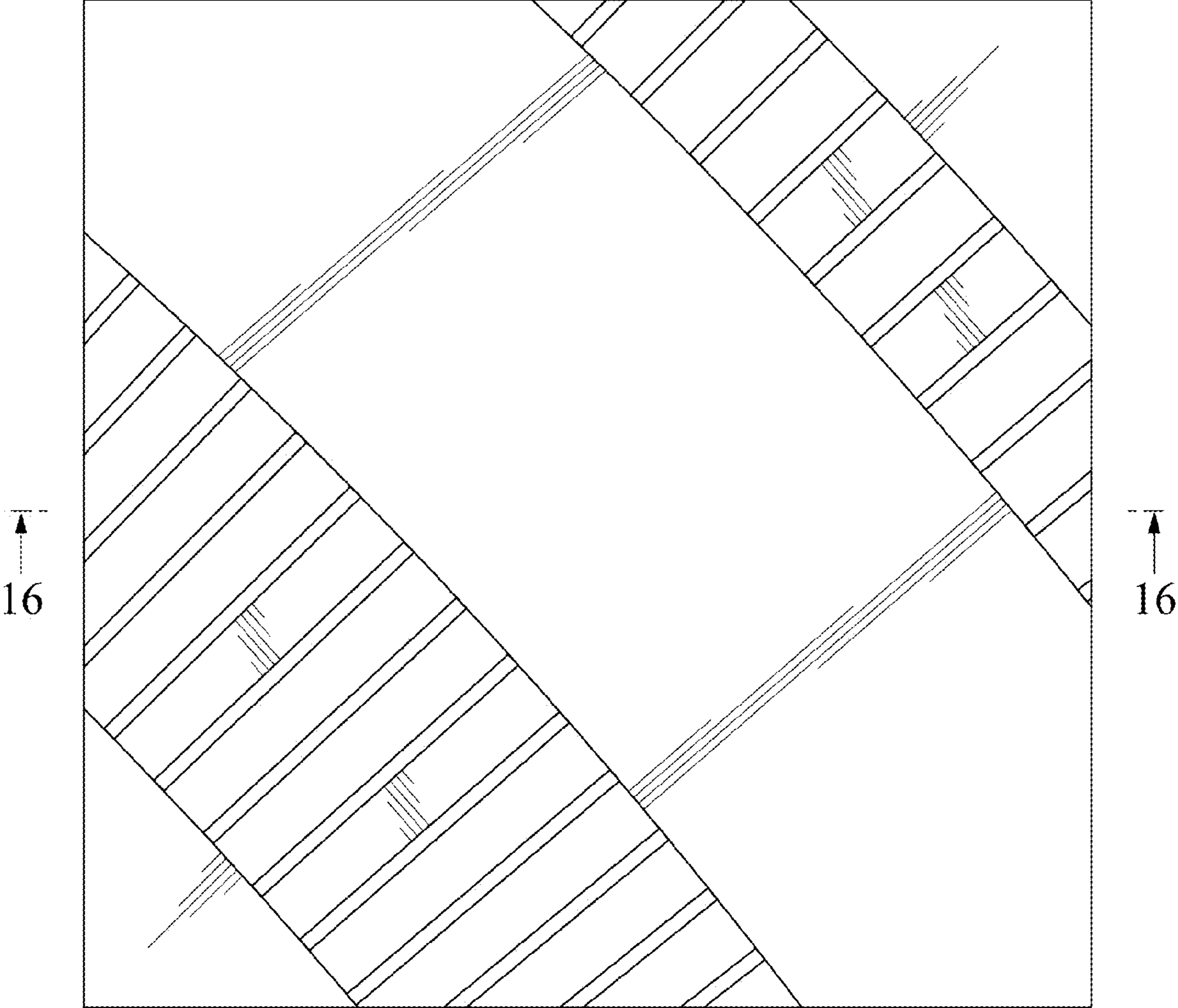


FIG. 15

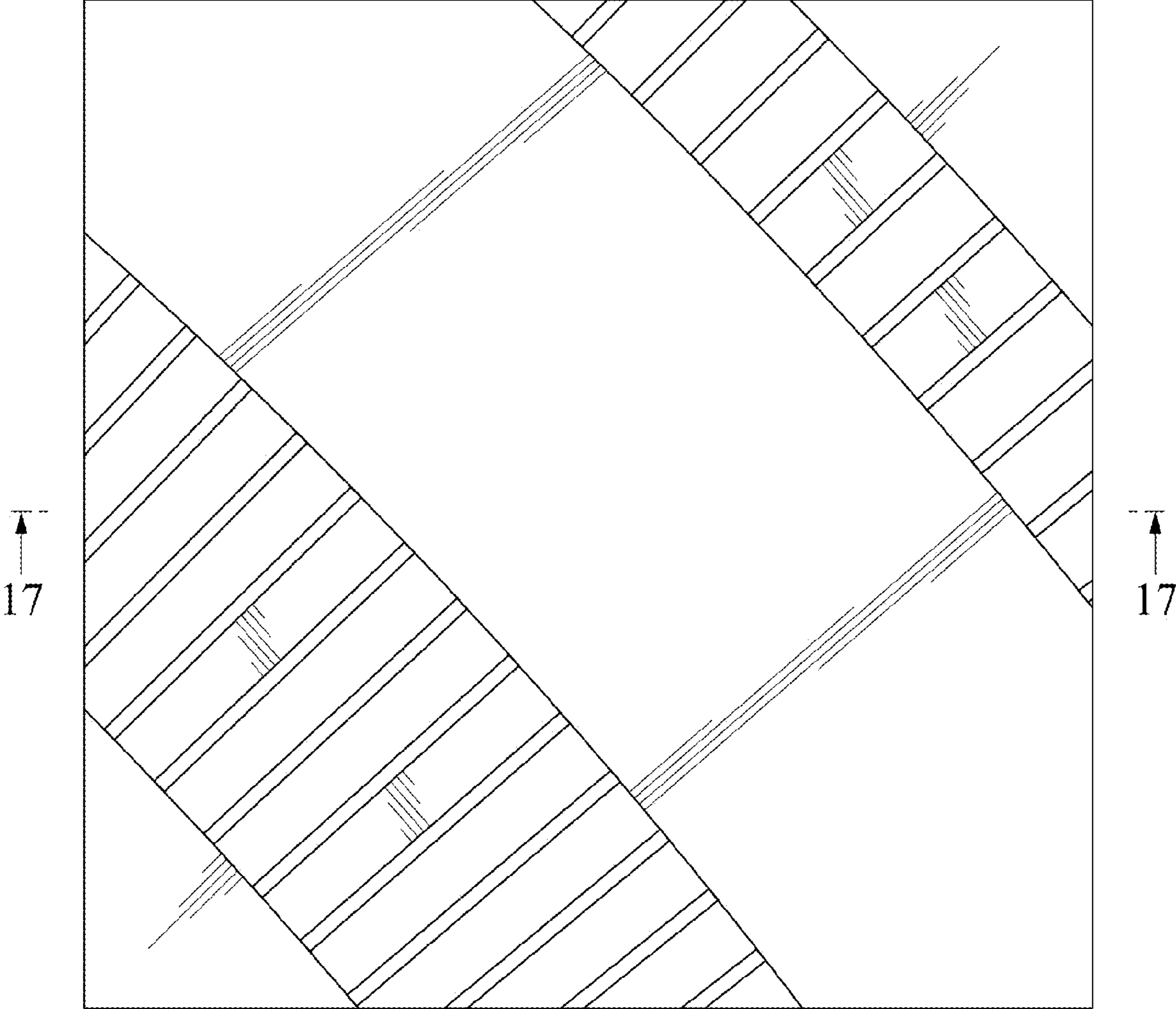


FIG. 16

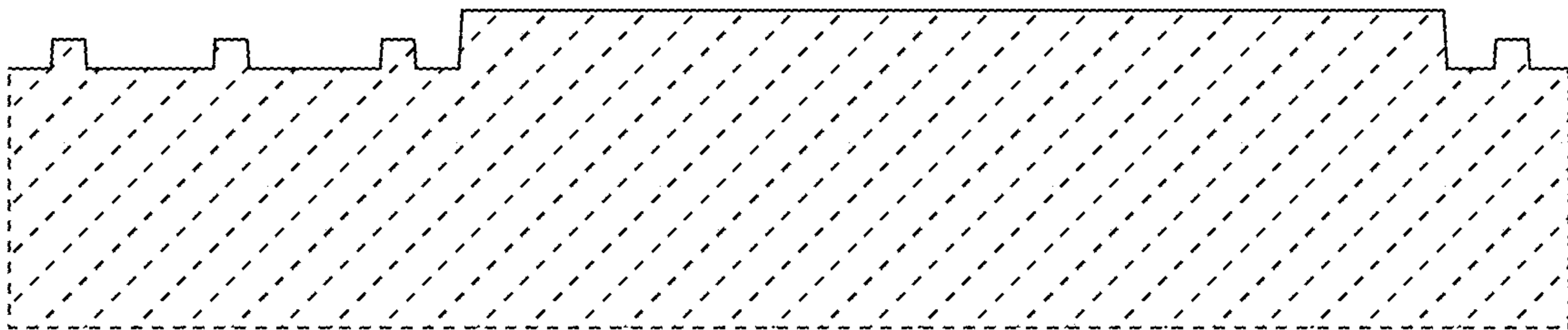


FIG. 17

