



US00D904277S

(12) **United States Design Patent** (10) **Patent No.:** **US D904,277 S**
Pion (45) **Date of Patent:** **** Dec. 8, 2020**

(54) **KAYAK**

(71) Applicant: **DECATHLON**, Villeneuve d'Ascq (FR)

(72) Inventor: **Emmanuelle Pion**, Hendaye (FR)

(73) Assignee: **DECATHLON**, Villeneuve d'Ascq (FR)

(**) Term: **15 Years**

(21) Appl. No.: **29/661,891**

(22) Filed: **Aug. 31, 2018**

(30) **Foreign Application Priority Data**

Mar. 2, 2018 (EM) 004736627-0001

(51) **LOC (12) Cl.** **12-06**

(52) **U.S. Cl.**
USPC **D12/302**

(58) **Field of Classification Search**
USPC D12/301, 302
CPC B63B 34/20; B63B 34/30
See application file for complete search history.

(56) **References Cited**

U.S. PATENT DOCUMENTS

- D358,573 S * 5/1995 Lockwood D12/302
- D419,128 S * 1/2000 Lockwood D12/302
- 6,223,678 B1 * 5/2001 Haller B63B 7/08
114/347
- D465,447 S * 11/2002 Haller D12/302
- 7,063,034 B2 * 6/2006 Penny B63B 34/20
114/347
- D569,329 S * 5/2008 Hall D12/302
- D592,122 S * 5/2009 Prestridge D12/302
- D634,255 S * 3/2011 Farber D12/302

- D634,256 S * 3/2011 Farber D12/302
- 9,926,050 B1 * 3/2018 Cinanni B63B 34/20
- 10,577,055 B1 * 3/2020 Kirk B63B 34/23
- 2013/0200115 A1 * 8/2013 Huber A45F 3/15
224/153
- 2014/0026807 A1 * 1/2014 Lee B63B 21/04
114/363

OTHER PUBLICATIONS

Pelican Mustang 100X Kayak, www.dickssportinggoods.com [online], published on or before Apr. 10, 2020, [retrieved on Apr. 10, 2020]. Retrieved from the Internet: <URL:https://www.dickssportinggoods.com/p/pelican-mustang-100x-kayak-18pelumstng100xkypsk/18pelumstng100xkypsk> (Year: 2020).*

(Continued)

Primary Examiner — Karen E Kearney

Assistant Examiner — Adam C Mager

(74) *Attorney, Agent, or Firm* — Fross, Zelnick, Lehrman & Zissu, PC; Charles T. J. Weigell, Esq.

(57) **CLAIM**

The ornamental design for a kayak, as shown and described.

DESCRIPTION

FIG. 1 is a front perspective view of a kayak showing my new design;

FIG. 2 is a front view thereof;

FIG. 3 is a back view thereof;

FIG. 4 is a right side view thereof;

FIG. 5 is a left side view thereof;

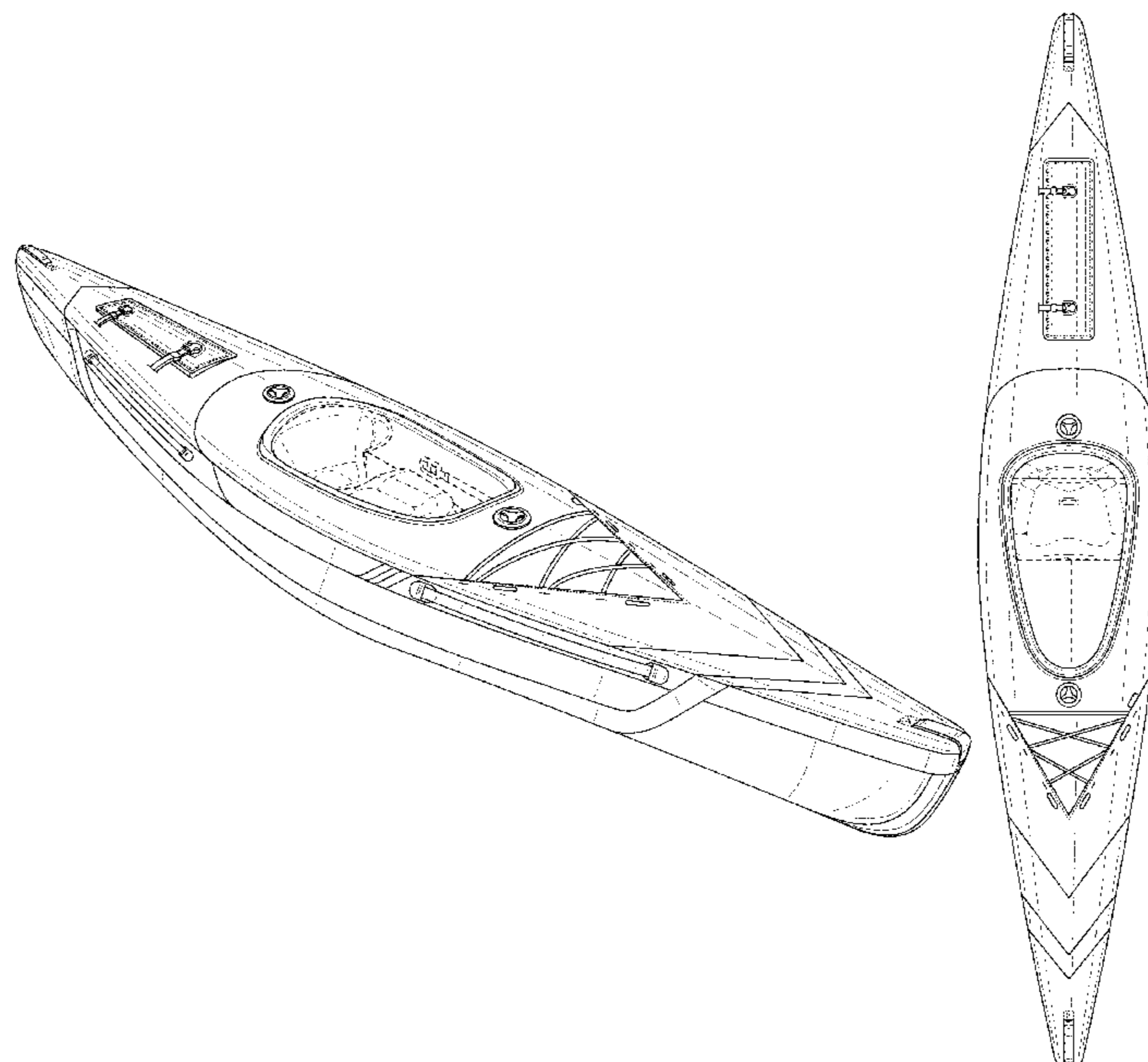
FIG. 6 is a top view thereof; and,

FIG. 7 is a bottom view thereof.

The broken line showing of the interior seating portion of the kayak forms no part of the claimed design.

The thick dotted broken lines illustrate claimed stitching and structural elements.

1 Claim, 4 Drawing Sheets



(56)

References Cited

OTHER PUBLICATIONS

Old Town Looksha 17 Touring Kayak, www.backcountry.com [online].
published on or before Apr. 10, 2020, [retrieved on Apr. 10, 2020].
Retrieved from the Internet: <URL:<https://www.backcountry.com/old-town-looksha-17-touring-kayak-2019?skid=JOP004Y-LEM-ONESIZ&ti=UExQIENhdDo6Oj16>> (Year: 2020).*

Perception Conduit 13.0 Kayak, www.austinkayak.com [online].
published on or before Apr. 10, 2020, [retrieved on Apr. 10, 2020].
Retrieved from the Internet: <URL:<https://www.austinkayak.com/Perception-Conduit-130-Touring-Kayak/ACK20697P.html>> (Year: 2020).*

* cited by examiner

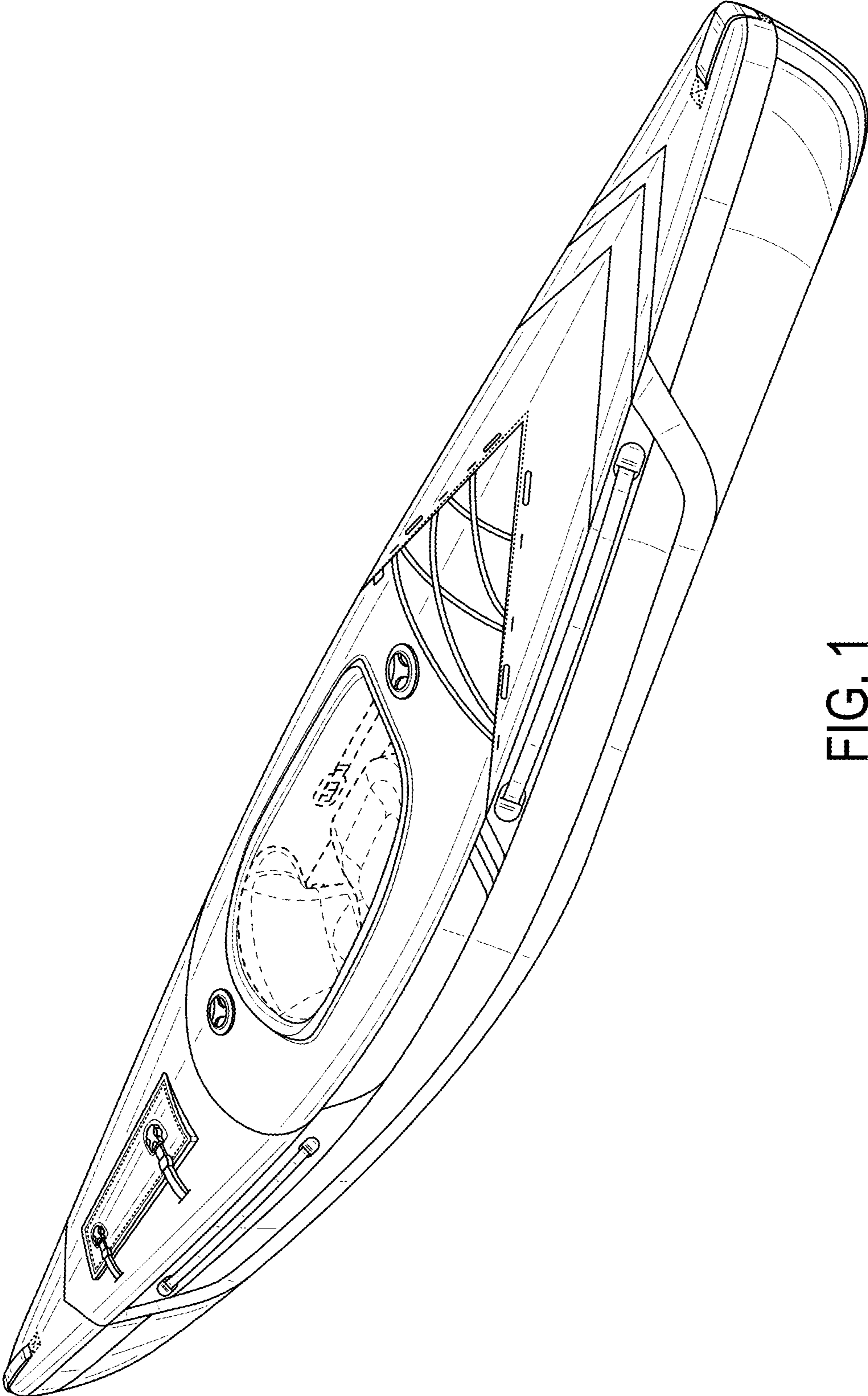


FIG. 1

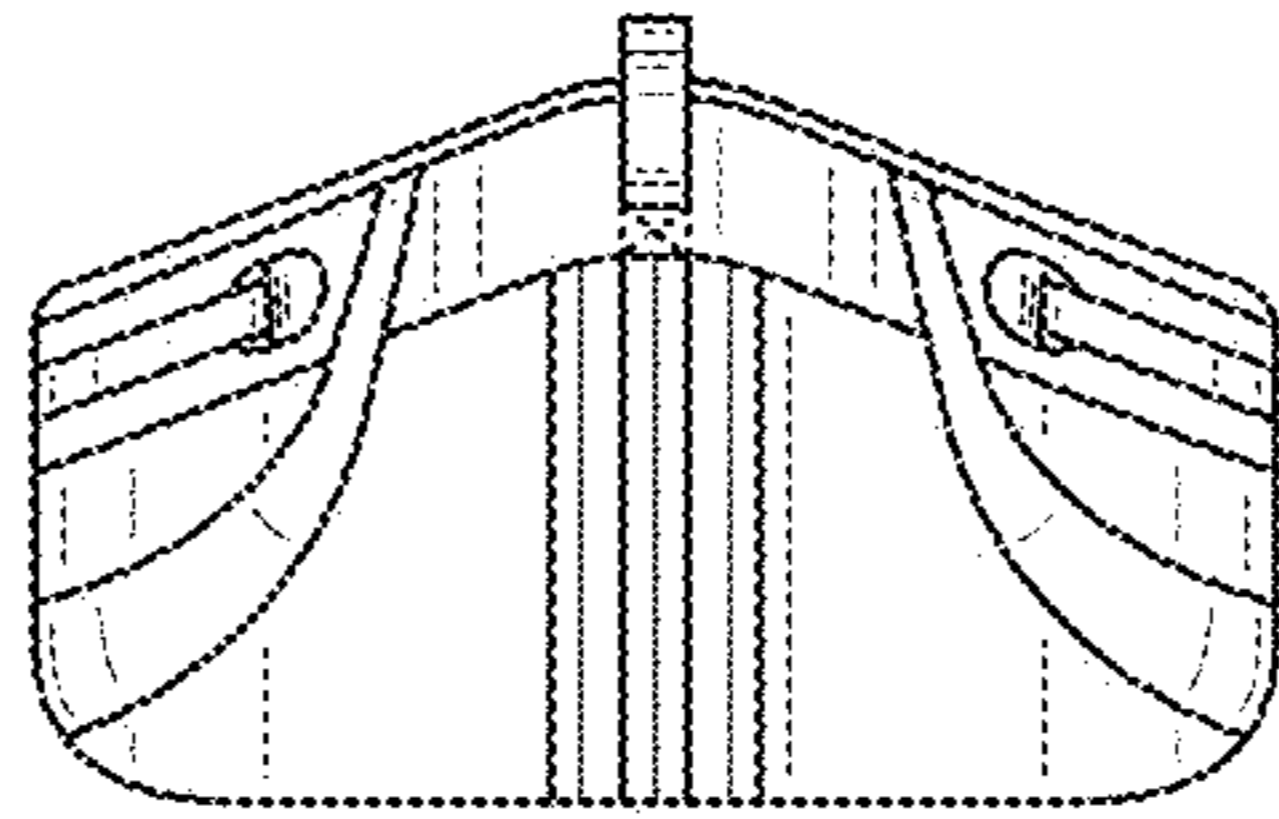


FIG. 2

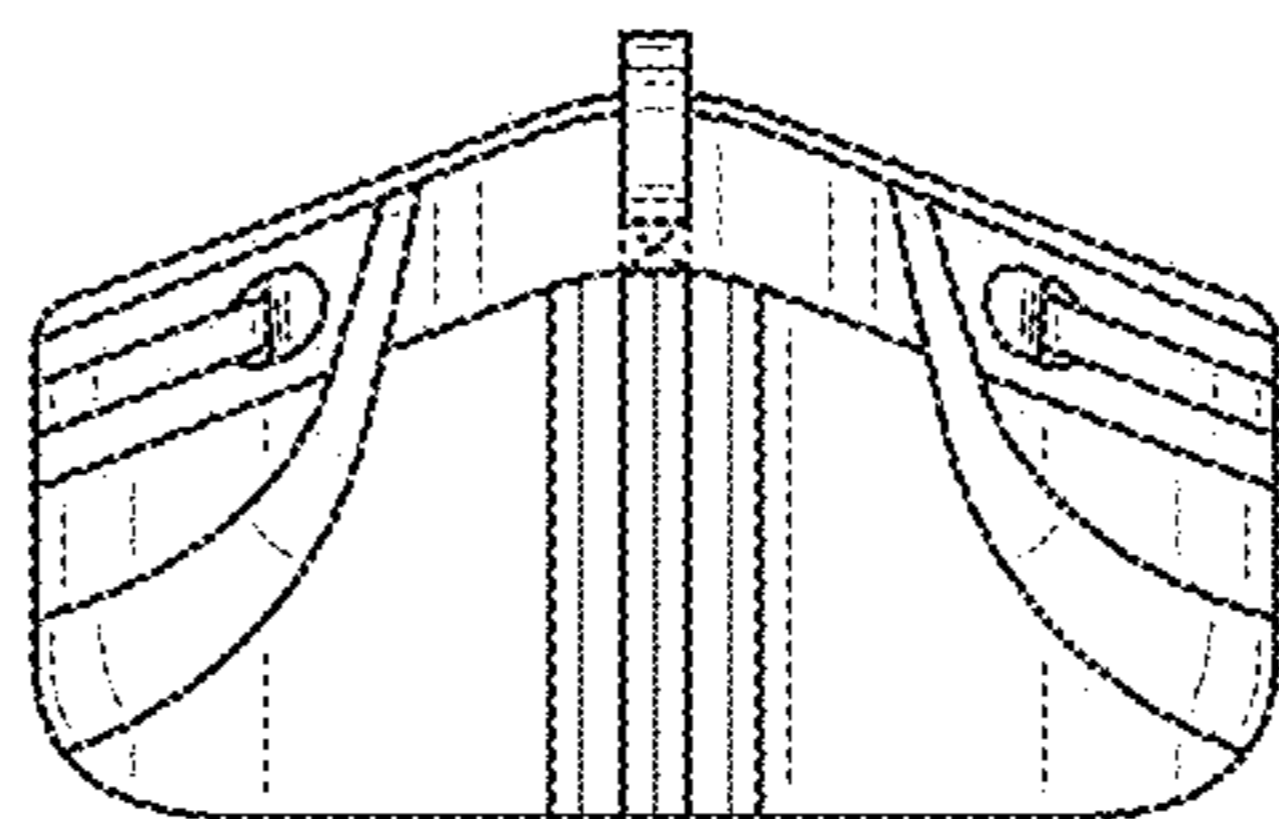


FIG. 3

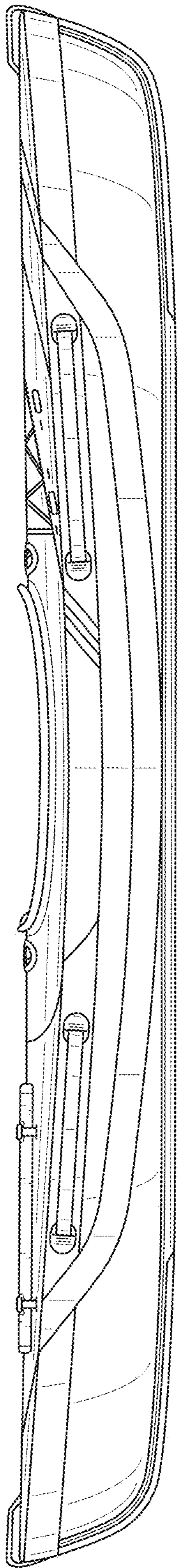


FIG. 4

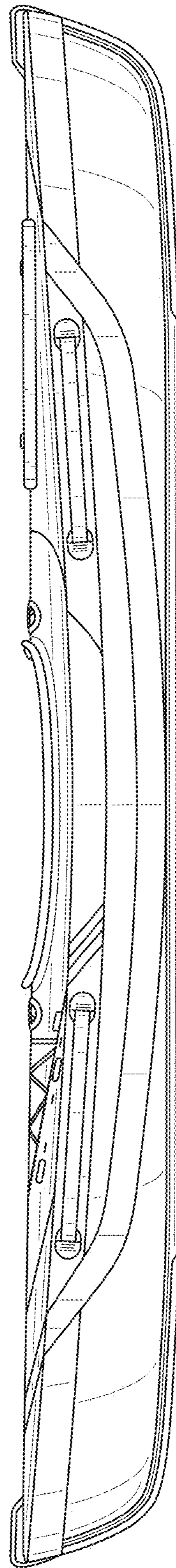


FIG. 5

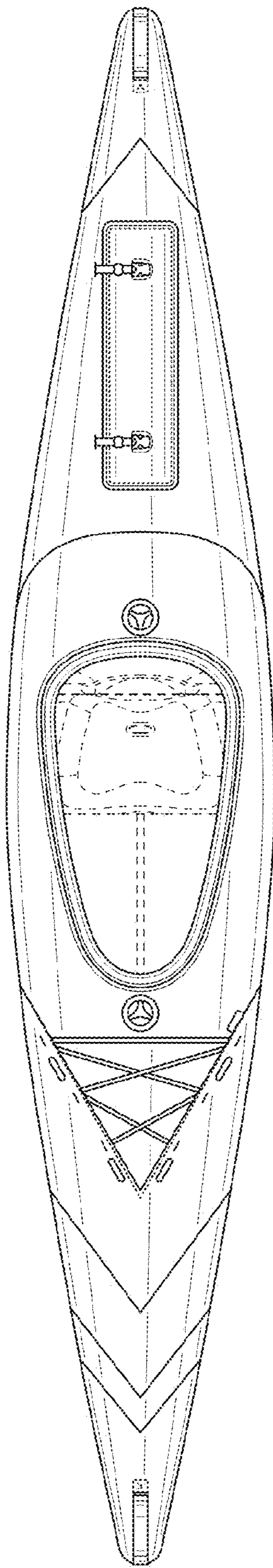


FIG. 6

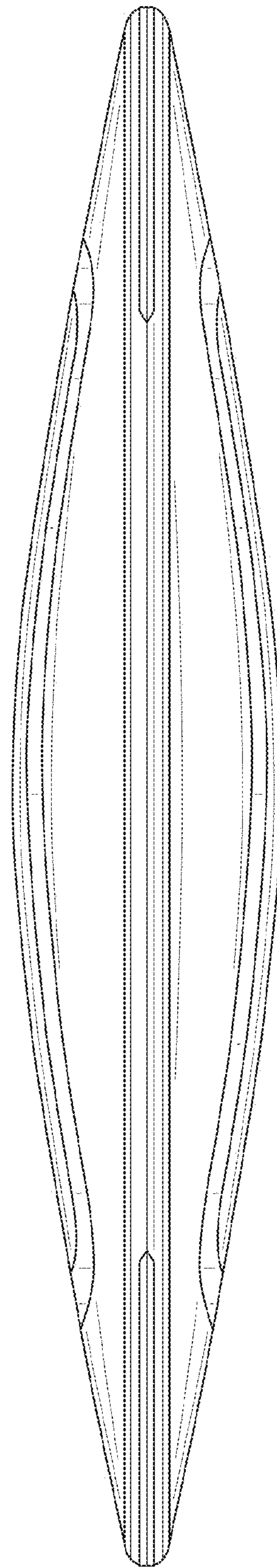


FIG. 7