



US00D904276S

(12) **United States Design Patent**
Hostetter et al.

(10) **Patent No.:** **US D904,276 S**
(45) **Date of Patent:** **** Dec. 8, 2020**

(54) **MOUNTING SYSTEM**

(71) Applicants: **Robbie D. Hostetter**, Bloomfield, IN (US); **E. Austin Harrah**, Bloomfield, IN (US)

(72) Inventors: **Robbie D. Hostetter**, Bloomfield, IN (US); **E. Austin Harrah**, Bloomfield, IN (US)

(**) Term: **15 Years**

(21) Appl. No.: **29/681,848**

(22) Filed: **Feb. 28, 2019**

(51) **LOC (12) Cl.** **12-16**

(52) **U.S. Cl.**
USPC **D12/223**

(58) **Field of Classification Search**
USPC D12/86, 93, 101, 106, 107, 114, 169, D12/223, 400, 406, 412, 414; D8/59, 71, D8/72, 106, 315, 349, 354, 377, 380, 382
CPC .. B60R 9/00; B60R 9/04; B60R 9/042; B60R 9/048; B60R 9/058; B60P 3/1008
See application file for complete search history.

(56) **References Cited**

U.S. PATENT DOCUMENTS

4,277,009	A *	7/1981	Bott	B60R 9/04 224/309
4,448,336	A *	5/1984	Bott	B60R 9/04 224/309
5,301,628	A *	4/1994	Daskalides	E02B 3/24 114/230.27
5,848,743	A *	12/1998	Derecktor	B60R 9/058 224/331
D478,271	S *	8/2003	McCoy	D12/223
D552,529	S *	10/2007	Klinkman	D12/223
7,401,995	B2 *	7/2008	Senakiewich, II	B60P 7/0815 403/374.4

D580,025	S *	11/2008	Kollmann	D23/304
D597,813	S *	8/2009	Livingston, Jr.	D8/72
8,915,411	B2 *	12/2014	Steckel	B60R 9/045 224/324
9,174,585	B2 *	11/2015	Noonan	B60R 9/048
9,187,047	B2 *	11/2015	Sautter	B60R 9/045
D813,443	S *	3/2018	Matteson	D26/138
D816,577	S *	5/2018	Harrah	D12/223
10,406,988	B2 *	9/2019	Cha	B60R 9/06
D862,213	S *	10/2019	Stener	D8/380
D874,025	S *	1/2020	Kittur	D25/119
D874,381	S *	2/2020	Harrah	D12/223

(Continued)

Primary Examiner — Michael A. Pratt

Assistant Examiner — Adam C Mager

(74) *Attorney, Agent, or Firm* — John Roberts; Roberts IP Law

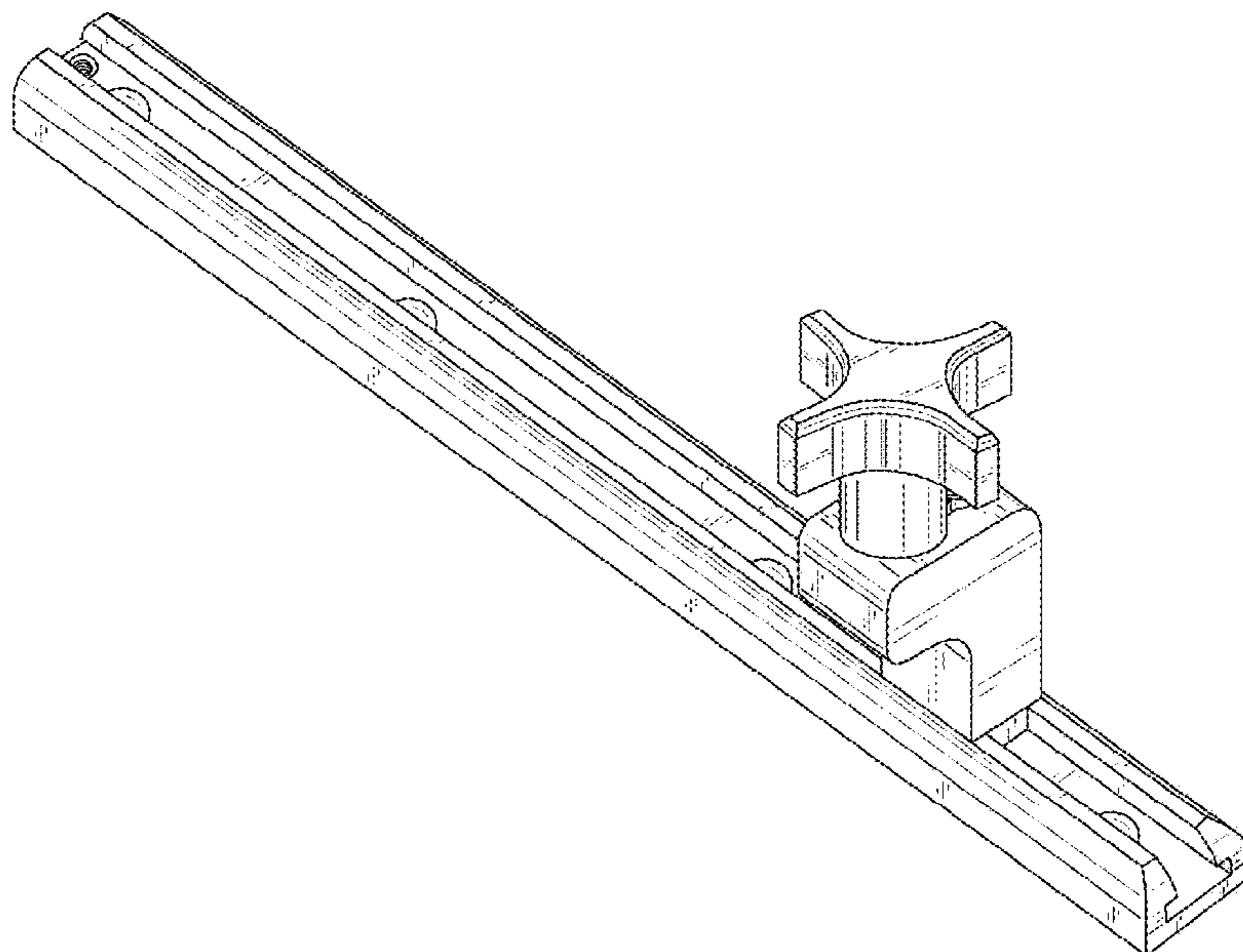
(57) **CLAIM**

The ornamental design for a mounting system, as shown.

DESCRIPTION

FIG. 1 is a top perspective view of a mounting system, showing our new design;
 FIG. 2 is a right side elevation view thereof;
 FIG. 3 is a left side elevation view thereof;
 FIG. 4 is a rear elevation view thereof;
 FIG. 5 is a front elevation view thereof;
 FIG. 6 is top plan view thereof;
 FIG. 7 is a bottom plan view thereof;
 FIG. 8 is another top perspective view thereof;
 FIG. 9 is a top perspective view of two of the mounting systems of FIG. 1, with one the mirror-image of the other, shown in an example environment;
 FIG. 10 is a left side elevation view thereof; and,
 FIG. 11 is another top perspective thereof.
 The broken lines shown in the drawings are for illustrative purposes only and form no part of the claimed design.

1 Claim, 10 Drawing Sheets



(56)

References Cited

U.S. PATENT DOCUMENTS

2007/0120036 A1* 5/2007 Olle F16L 3/243
248/615
2019/0256007 A1* 8/2019 Mansour B60R 9/058
2020/0180516 A1* 6/2020 Moulin F16M 13/02

* cited by examiner

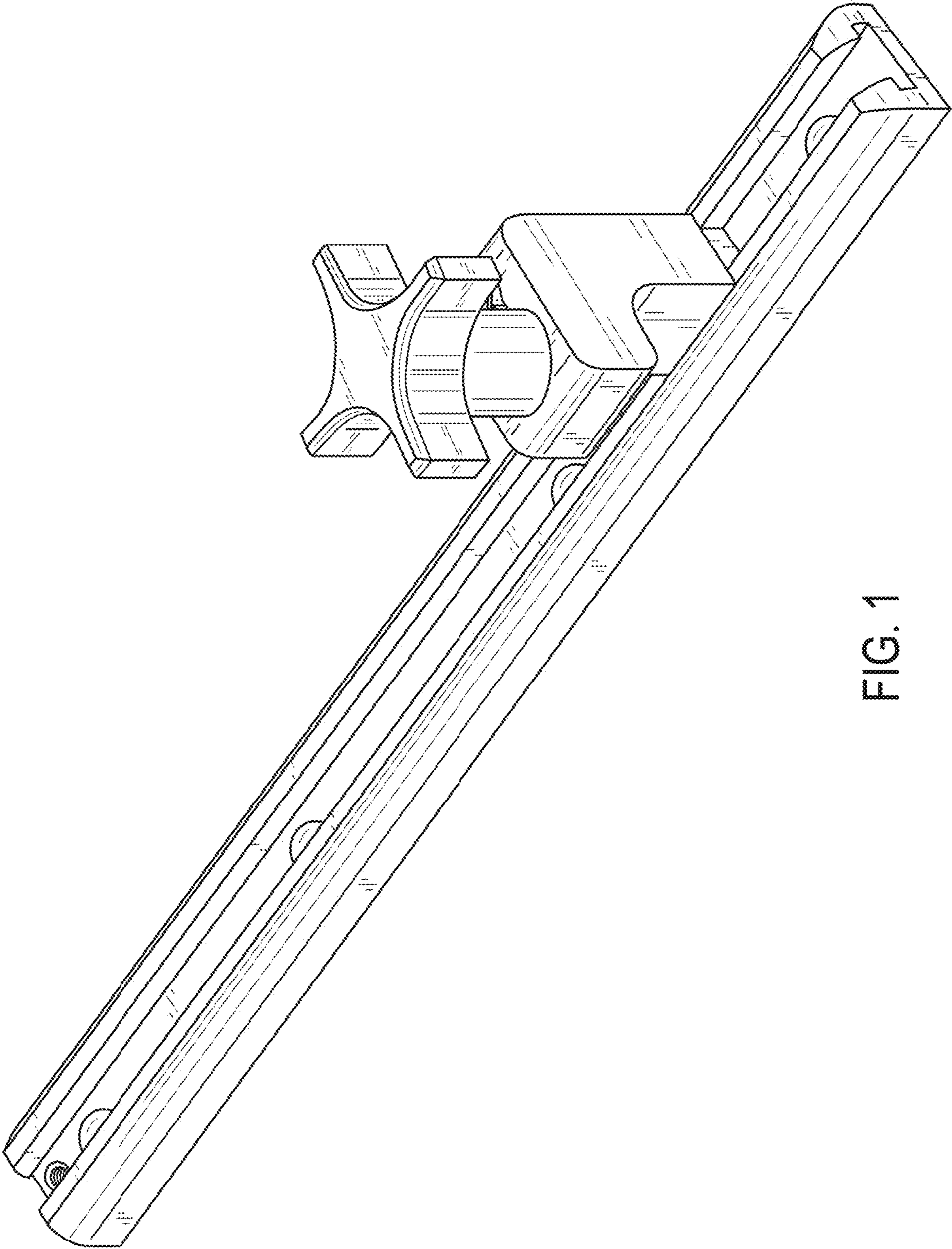


FIG. 1

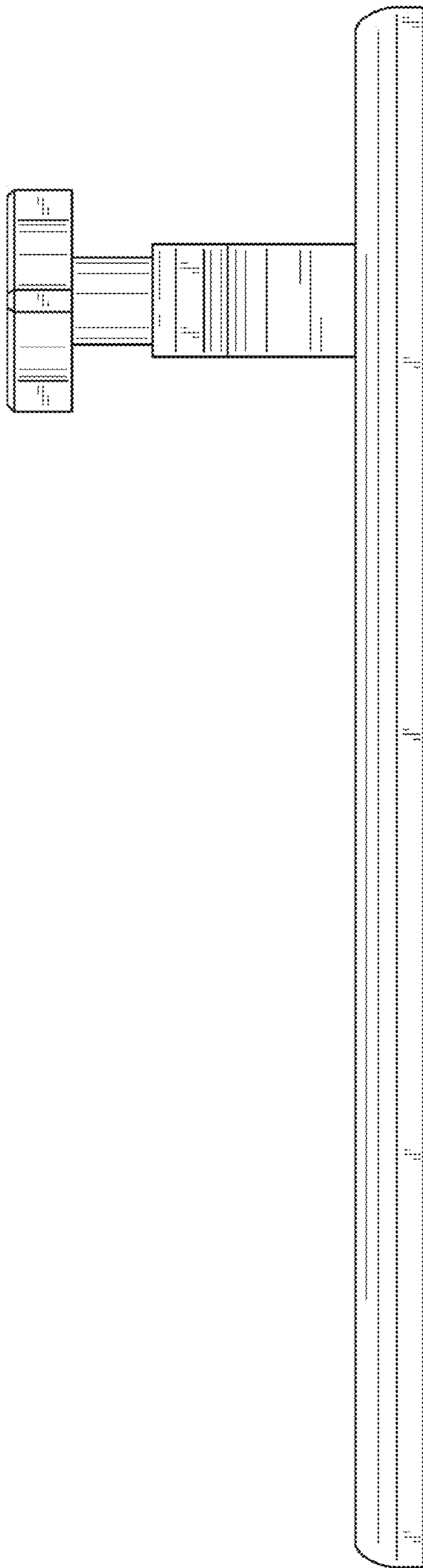


FIG. 2

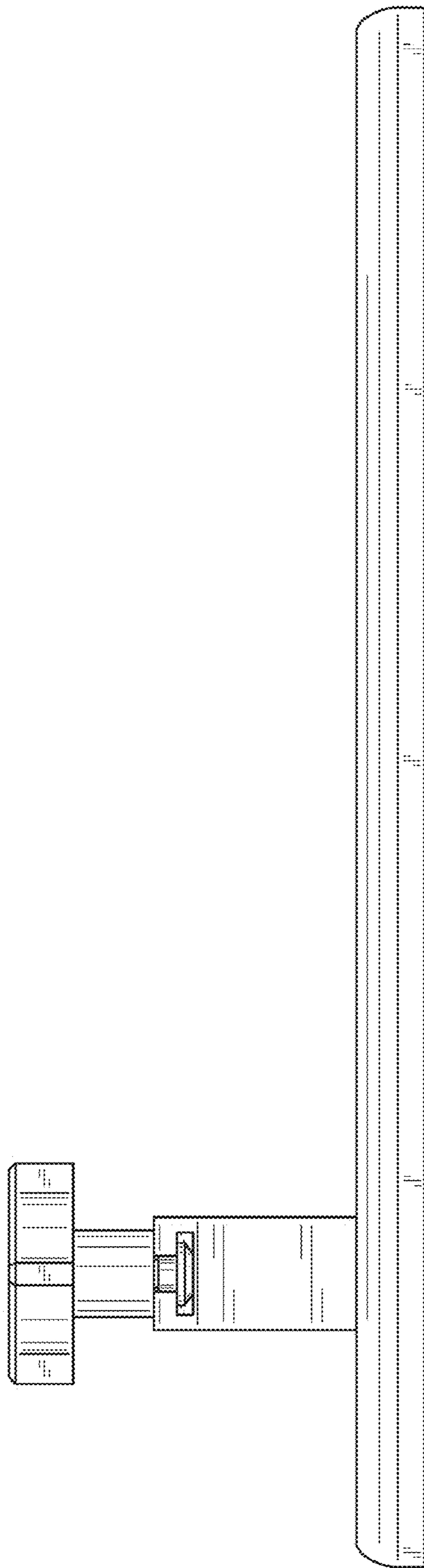


FIG. 3

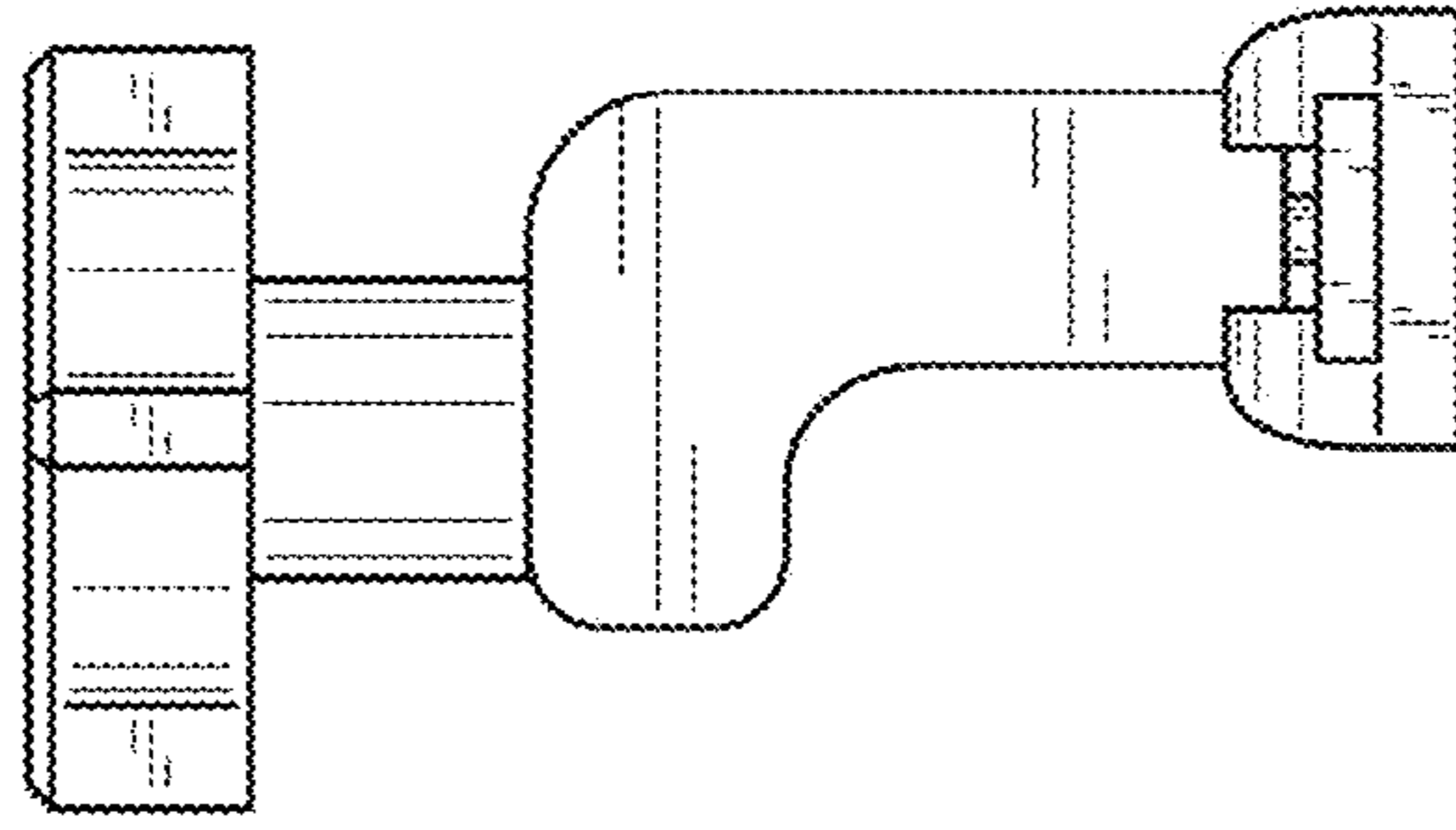


FIG. 5

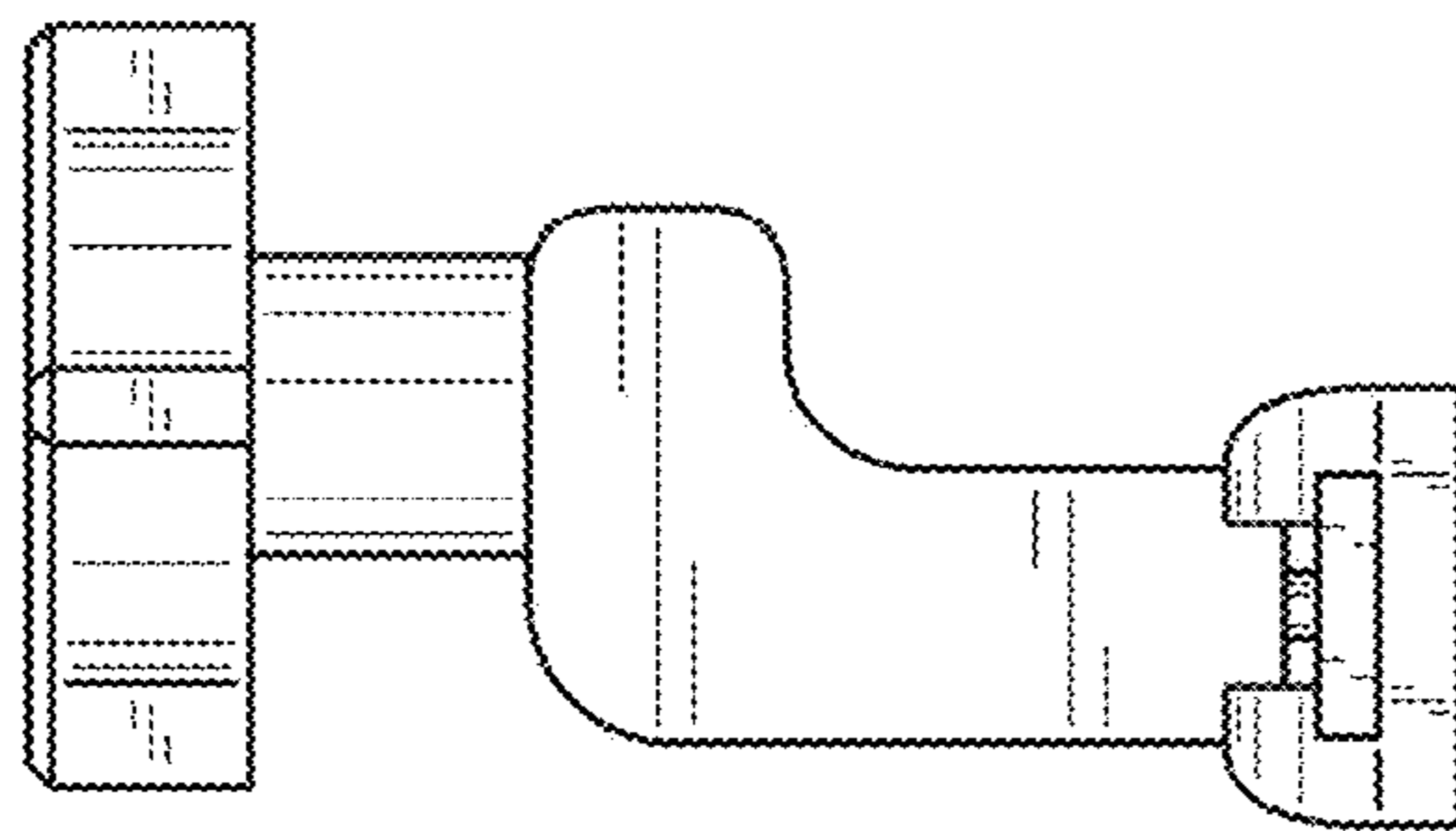


FIG. 4

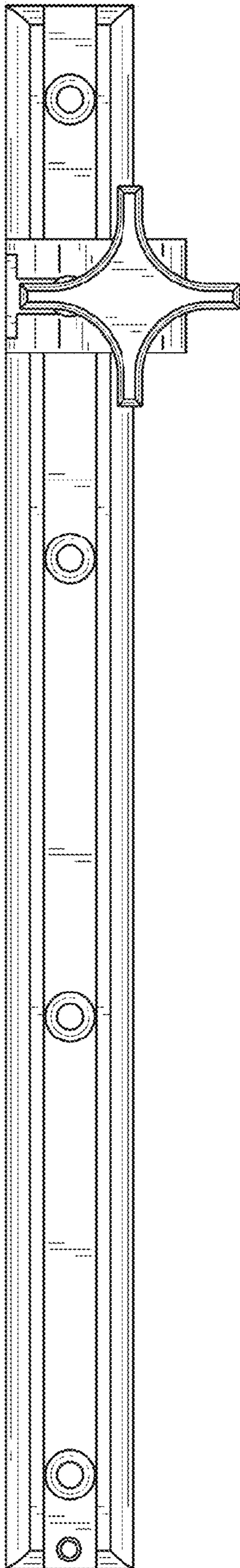


FIG. 6

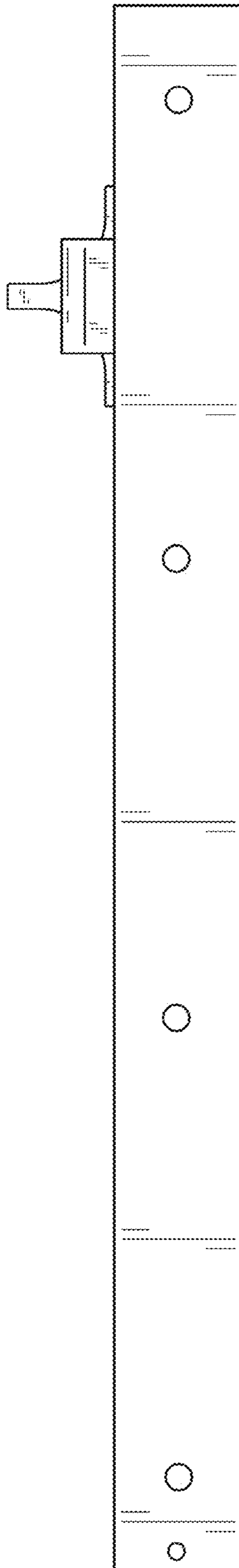


FIG. 7

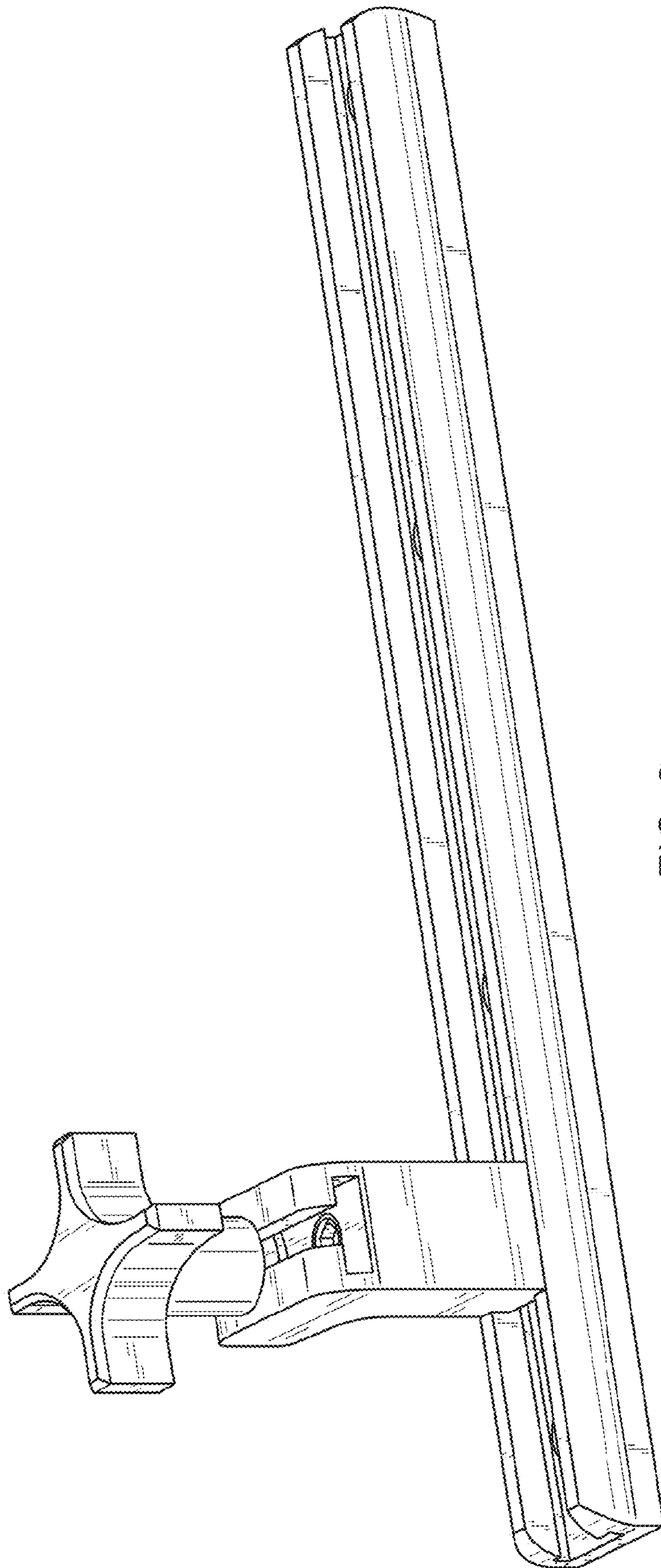


FIG. 8

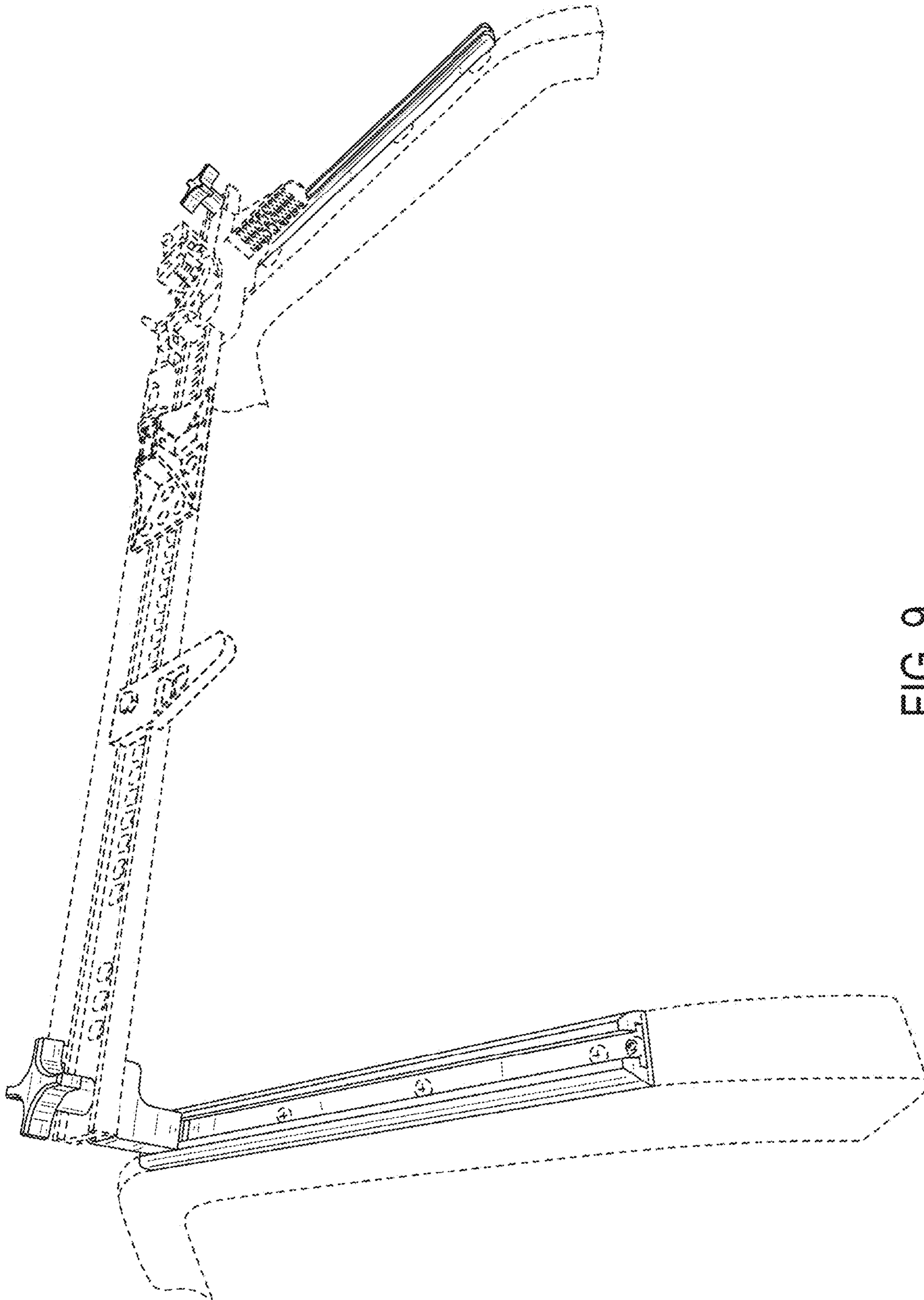


FIG. 9

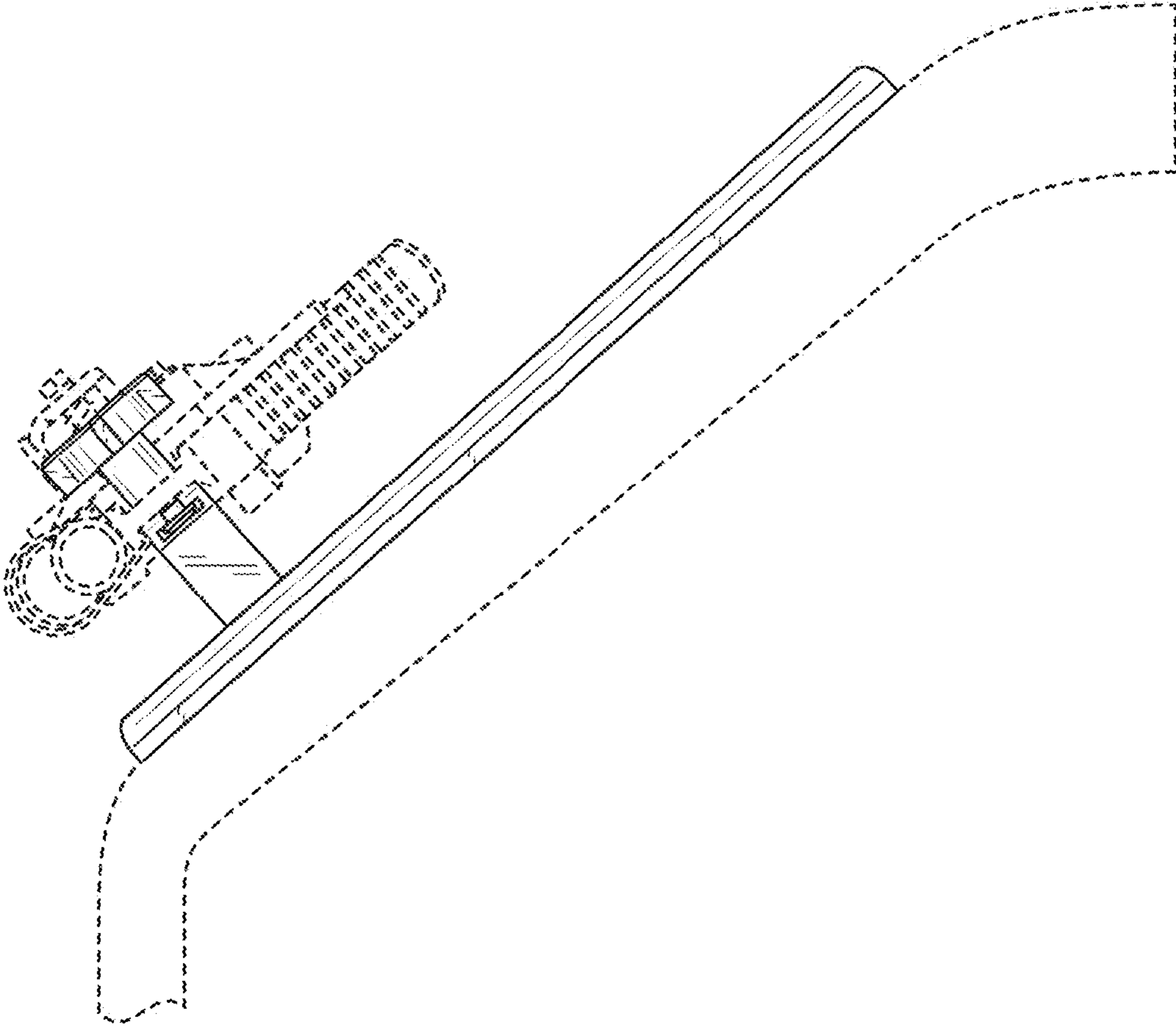


FIG. 10

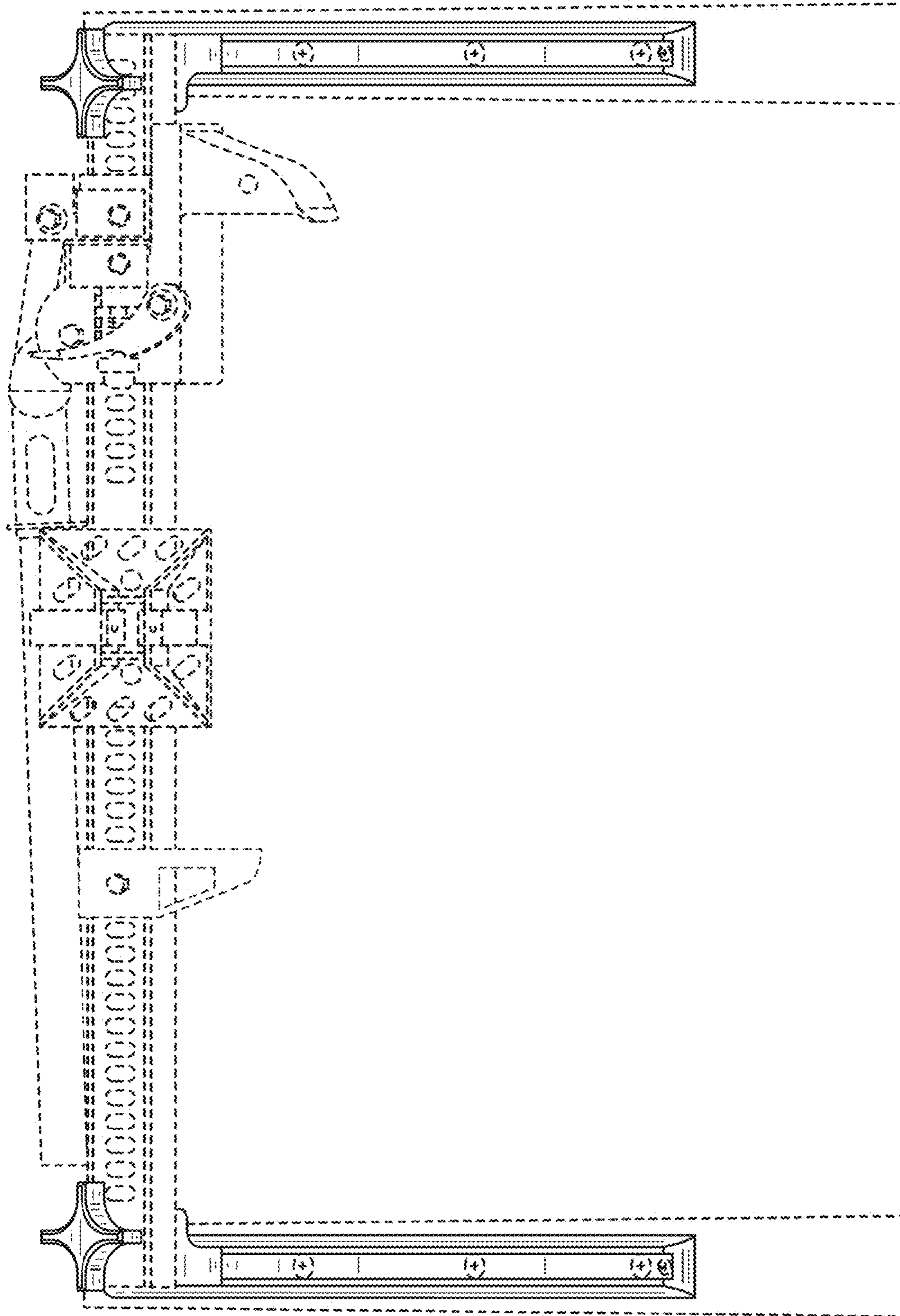


FIG. 11