



US00D904275S

(12) **United States Design Patent**
Tufts, Jr. et al.

(10) **Patent No.:** **US D904,275 S**
(45) **Date of Patent:** **** Dec. 8, 2020**

(54) **ADAPTER FOR WINDSHIELD WIPER ARM**

(71) Applicant: **TRICO PRODUCTS CORPORATION**, Rochester Hills, MI (US)

(72) Inventors: **Lindsey Tufts, Jr.**, Kent, OH (US); **David Boll**, Avon, OH (US); **Nicholas E. Stanca**, Westlake, OH (US); **Robert Soreo**, Cleveland Heights, OH (US); **R. Kenneth Thorstenson, IV**, Shelby Township, MI (US); **Dan Ehde**, Ortonville, MI (US)

(73) Assignee: **TRICO PRODUCTS CORPORATION**, Rochester Hills, MI (US)

(**) Term: **15 Years**

(21) Appl. No.: **29/687,777**

(22) Filed: **Apr. 16, 2019**

(51) **LOC (12) Cl.** **12-16**

(52) **U.S. Cl.**
USPC **D12/220**

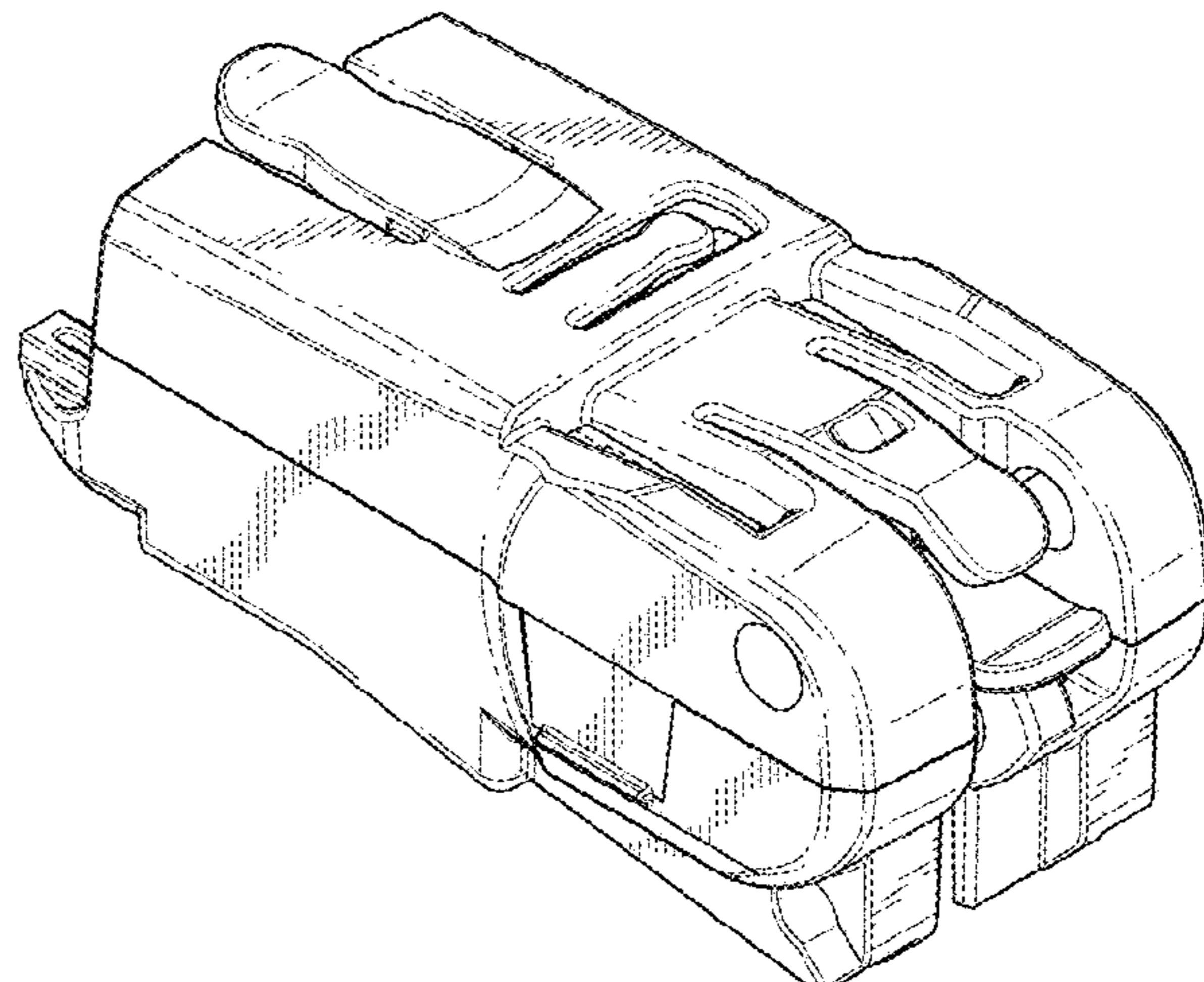
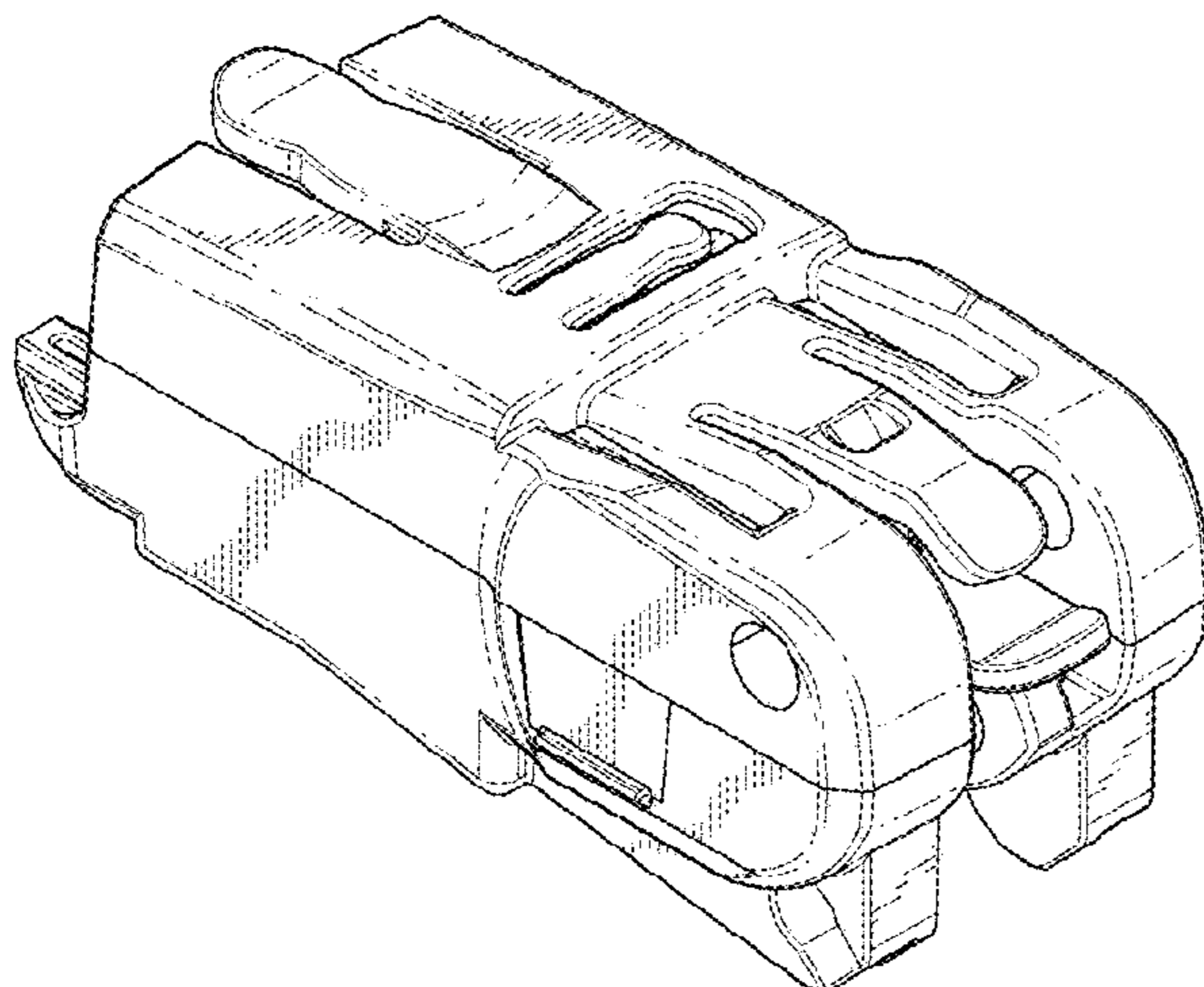
(58) **Field of Classification Search**
USPC D12/219-220, 400; 15/250.001, 246, 15/247, 250.4, 250.361, 250.19, 250.48, 15/250.03, 250.04, 250.31-250.33, 15/250.351, 250.38, 250.201, 250.451, 15/250.458, 250.07, 250.44
CPC B60S 1/4003; B60S 1/3801
See application file for complete search history.

(56) **References Cited**

U.S. PATENT DOCUMENTS

4,094,038 A 6/1978 Hancu
4,337,547 A 7/1982 Hancou
4,343,062 A 8/1982 van den Berg
4,951,343 A 8/1990 Scorsiroli
5,084,933 A 2/1992 Buechele
5,289,608 A 3/1994 Kim
5,392,487 A 2/1995 Yang

5,611,103 A 3/1997 Lee
D478,308 S * 8/2003 Lee D12/220
6,640,380 B2 11/2003 Rosenstein et al.
6,658,690 B1 12/2003 Westermann et al.
6,779,223 B1 8/2004 Roekens
7,055,207 B2 6/2006 Coughlin
7,299,520 B2 11/2007 Huang
D562,216 S * 2/2008 Park D12/219
D592,120 S * 5/2009 Grasso D12/220
D597,465 S * 8/2009 Grasso D12/220
D597,466 S * 8/2009 Grasso D12/220
D597,467 S * 8/2009 Grasso D12/220
D597,468 S * 8/2009 Grasso D12/220
D597,470 S * 8/2009 Grasso D12/220
D601,077 S * 9/2009 Kim D12/219
D606,480 S * 12/2009 Kim D12/219
D615,918 S * 5/2010 Kim D12/219
D660,777 S * 5/2012 An D12/220
D660,778 S * 5/2012 An D12/220
D665,327 S * 8/2012 Houssat D12/220
D665,328 S * 8/2012 Houssat D12/220
D665,329 S * 8/2012 Houssat D12/220
D665,330 S * 8/2012 Houssat D12/220
D665,715 S * 8/2012 Houssat D12/220
D665,716 S * 8/2012 Houssat D12/220
D665,717 S * 8/2012 Houssat D12/220
D665,718 S * 8/2012 Houssat D12/220
8,261,403 B2 9/2012 Ehde
D679,235 S * 4/2013 Depondt D12/219
D685,713 S * 7/2013 Wang D12/219
D694,697 S * 12/2013 Kim D12/219
D695,204 S * 12/2013 Kim D12/219
8,707,506 B1 * 4/2014 Wu B60S 1/4003
15/250.32
D704,128 S * 5/2014 Depondt D12/220
D704,129 S * 5/2014 Depondt D12/220
D704,620 S * 5/2014 Kim D12/220
D705,156 S * 5/2014 Lee D12/220
D706,201 S * 6/2014 Depondt D12/220
D706,202 S * 6/2014 Depondt D12/220
8,850,653 B2 10/2014 Depondt
8,938,847 B2 1/2015 Avasiloaie et al.
8,959,701 B2 2/2015 Kim et al.
D725,021 S * 3/2015 Poton D12/220
D725,022 S * 3/2015 Poton D12/220
D725,023 S * 3/2015 Poton D12/220
D725,024 S * 3/2015 Poton D12/220
D725,025 S * 3/2015 Poton D12/220
8,973,209 B2 3/2015 Depondt
9,073,519 B2 7/2015 Depondt
9,108,595 B2 8/2015 Tolentino et al.
9,174,611 B2 11/2015 Tolentino et al.
9,333,948 B2 5/2016 Depondt



9,381,893	B2	7/2016	Tolentino et al.	
9,387,829	B2	7/2016	Wang	
9,387,830	B2	7/2016	Depondt	
9,511,748	B2	12/2016	Piotrowski et al.	
9,555,775	B2	1/2017	Fournier et al.	
9,744,946	B2	8/2017	Young, III et al.	
D809,989	S *	2/2018	Lee	D12/220
9,889,822	B2	2/2018	Tolentino et al.	
10,005,431	B2	6/2018	Tolentino et al.	
10,023,154	B2	7/2018	Piotrowski et al.	
10,029,652	B2	7/2018	Herinckx et al.	
10,077,026	B2	9/2018	Tolentino et al.	
10,118,596	B2	11/2018	Fournier et al.	
10,166,951	B2	1/2019	Kawashima et al.	
10,189,445	B2	1/2019	Tolentino et al.	
10,363,905	B2	7/2019	Tolentino	
10,457,252	B2	10/2019	Tolentino	
10,464,533	B2	11/2019	Tolentino et al.	
2005/0028312	A1	2/2005	Coughlin	
2008/0289133	A1	11/2008	Kim	
2009/0151110	A1	6/2009	Ku	
2009/0199357	A1	8/2009	Thienard	
2009/0307862	A1	12/2009	Boland et al.	
2010/0205763	A1	8/2010	Ku	
2011/0005020	A1	1/2011	Koppen et al.	
2011/0247166	A1	10/2011	Depondt et al.	
2011/0277264	A1	11/2011	Ehde	
2012/0060315	A1	3/2012	Avasiloaie et al.	
2013/0152326	A1 *	6/2013	Oslizlo	B60S 1/387 15/250.33
2013/0167317	A1 *	7/2013	Oslizlo	B60S 1/4067 15/250.32
2014/0259504	A1	9/2014	Piotrowski et al.	
2014/0317875	A1	10/2014	Tolentino et al.	
2015/0258967	A1	9/2015	Lepper et al.	
2015/0353054	A1	12/2015	Tolentino et al.	
2017/0334403	A1	11/2017	Kawashima	

FOREIGN PATENT DOCUMENTS

BR	112012011686	A2	3/2016
CH	635544	A5	4/1983
CN	101311043	A	5/2007
CN	101674962	A	5/2007
CN	104349952	A	6/2012
CN	106573599	A	7/2014
CN	102596659	B	5/2015
CN	103687758	B	12/2016
DE	202005021307	U1	12/2004
DE	102005016486	A1	4/2005
DE	202008011314	U1	8/2008
DE	102009000483	A1	9/2008
DE	102009043695	A1	10/2009
DE	20091046788		11/2009
DE	202011001119	U1	3/2011
DE	102010041152	A1	5/2011
DE	102012110738	A1	11/2011
DE	102011079783	A1	1/2013
DE	102015215709	A1	8/2015
EP	0231129	B1	5/1987
EP	0255352	B1	3/1988
EP	1849666	A1	4/2006
EP	25535231	A1	6/2011
EP	2546115	A2	7/2011
EP	2861467	B1	6/2012
EP	2501591	B1	8/2013
EP	3164303	B1	7/2014
EP	2360070		9/2014
EP	2736775	B1	10/2015
ES	2428821	T3	11/2013
ES	2552997	T3	12/2015
FR	2195956	A6	3/1974
FR	2254959	A6	11/1975
IN	2066DEN2012		8/2015
JP	5362118	B2	12/2013
KR	100891195	B1	4/2008
KR	100903374	B1	7/2008
KR	101381152	B1	4/2014
PL	2501591	T3	1/2014

RU	2381120	C2	10/2003
RU	2686270	C1	6/2012
RU	2014106909	A	8/2017
WO	2004069618	A1	2/2003
WO	2006106006	A1	4/2005
WO	2006128763	A1	6/2005
WO	2009071372	A1	12/2007
WO	2011040743		9/2009
WO	2011060979	A1	5/2011
WO	2013186111	A1	6/2012
WO	2013013958	A1	1/2013
WO	2016000785	A1	7/2014
WO	2017080783	A1	11/2015

OTHER PUBLICATIONS

TRICO Flex Blade Pinch Tab Arm, YouTube.com, TRICO Wiper Blades, Feb. 17, 2016, [online], [site visited Jul. 2, 2020]. <URL: https://www.youtube.com/watch?v=8a_zhzA498s> (Year: 2016).*

TRICO Force—Pinch Tab Wiper Installation Video, YouTube.com, TRICO Wiper Blades, Aug. 30, 2011, [online], [site visited Jul. 2, 2020]. <URL: https://www.youtube.com/watch?v=Wbp2Tnc_4jg> (Year: 2011).*

OTUAYAUTO Windshield Wiper Adapter Kit, Amazon.com, Date First Available: Dec. 24, 2019, [online], [site visited Jul. 2, 2020]. <URL: https://www.amazon.com/OTUAYAUTO-Windshield-Wiper-Adapter-Kit/dp/B0832ZNGV4/ref=sr_1_85_sspa?dchild=1&keywords=windshield%2Bwiper%2Badapter&qid> (Year: 2019).*

PIAA SI-Tech Silicone Flat Wiper Blade, TireRack.com, [online], [site visited Jul. 2, 2020]. <URL: <https://www.tirerack.com/wipers/detail.jsp?ID=1202>> (Year: 2020).*

Reflex Platinum Wiper Blades, Installation Instructions (2 pages). Reflex Platinum Wiper Blade, Canadian Tire, Canada; retrieved from the Internet Feb. 11, 2020; <<https://www.canadiantire.ca/en/pdp/reflex-platinum-wiper-blade-0211866p.html>> (5 pages).

Rain X Silicone AdvantEdge; retrieved from the Internet Feb. 19, 2020; <<https://www.rainx.com/silicone-advantedge/>> (5 pages).

How to Install Rain-X Silicone AdvantEdge Wiper Blades; retrieved from the Internet Feb. 19, 2020; <<https://www.rainx.com/installation-instructions/how-to-install-rain-x-silicone-advantedge-wiper-blades/>> (2 pages).

Wiper Blade Removal Instructions; retrieved from the Internet Feb. 19, 2020; <<https://www.rainx.com/instructions/wiper-blade-removal-instructions/>> (1 page).

Rain X Silicone AdvantEdge Premium Wiper Blade; retrieved from the Internet Feb. 19, 2020; <<https://shop.advanceautoparts.com/p/rain-x-silicone-advantedge-premium-beam-wiper-blade-22-inch-830022/11920347-P>> (2 pages).

* cited by examiner

Primary Examiner — T Chase Nelson
 Assistant Examiner — Jonathan J. Han
 (74) Attorney, Agent, or Firm — Bryan Cave Leighton Paisner LLP

(57) CLAIM

The ornamental design for an adapter for a windshield wiper arm, as shown and described.

DESCRIPTION

FIG. 1 is a left side front upper perspective view of an adapter for a windshield wiper arm;
 FIG. 2 is a right side front lower perspective view thereof;
 FIG. 3 is a left side rear lower perspective view thereof;
 FIG. 4 is a right side rear upper perspective view thereof;
 FIG. 5 is a left side view thereof;
 FIG. 6 is a right side view thereof;
 FIG. 7 is a rear view thereof;

FIG. 8 is a front view thereof;
FIG. 9 is a top plan view thereof; and
FIG. 10 is a bottom plan view thereof;
FIG. 11 is a left side front upper perspective view of another adapter for a windshield wiper arm;
FIG. 12 is a right side front lower perspective view thereof;
FIG. 13 is a left side rear lower perspective view thereof;
FIG. 14 is a right side rear upper perspective view thereof;
FIG. 15 is a left side view thereof;
FIG. 16 is a right side view thereof;
FIG. 17 is a rear view thereof;
FIG. 18 is a front view thereof;
FIG. 19 is a top plan thereof; and,
FIG. 20 is a bottom plan view thereof.

The broken lines in the figures are for the purpose of illustrating unclaimed portions of the invention that form no part of the claimed design.

1 Claim, 20 Drawing Sheets

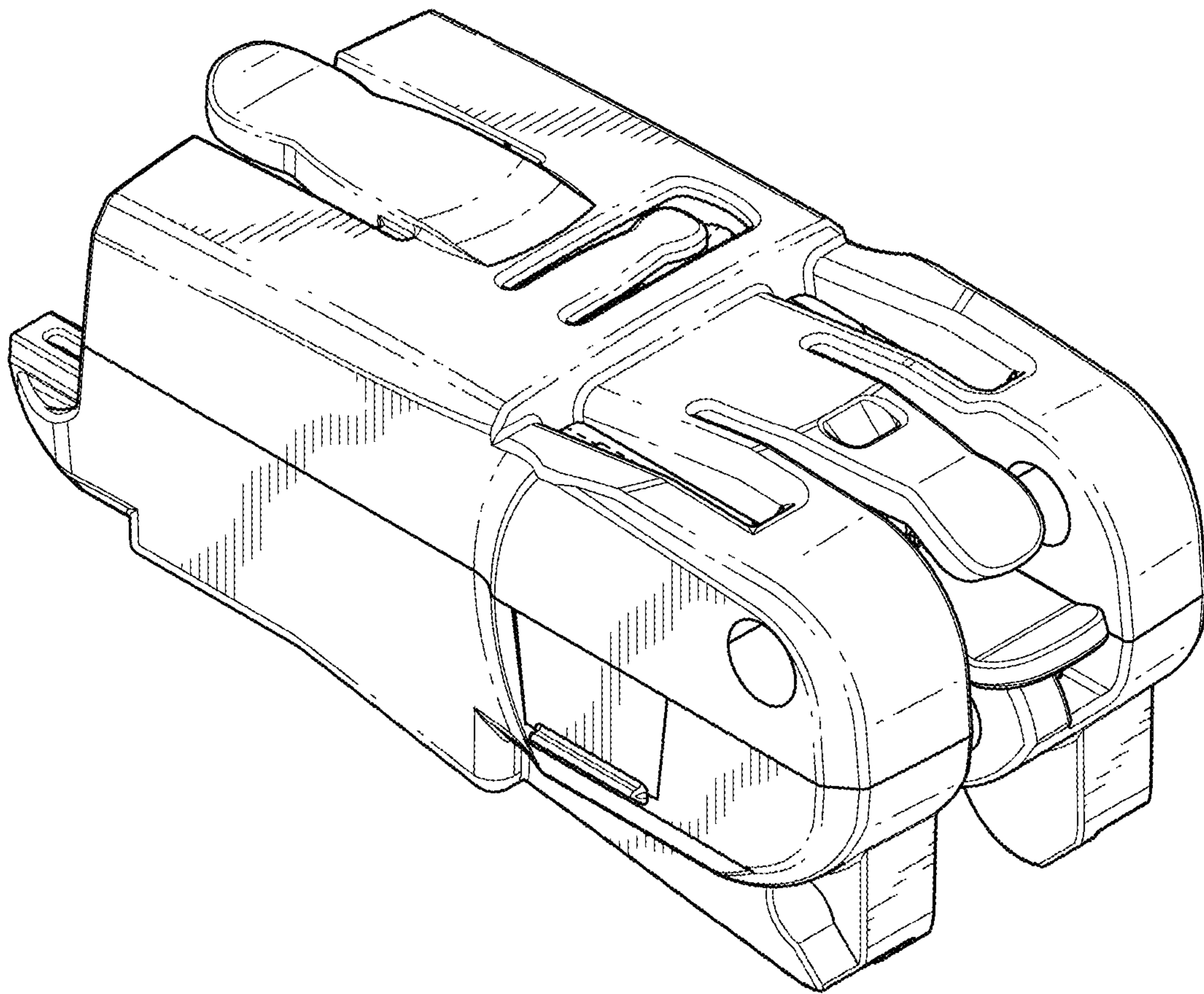


FIG. 1

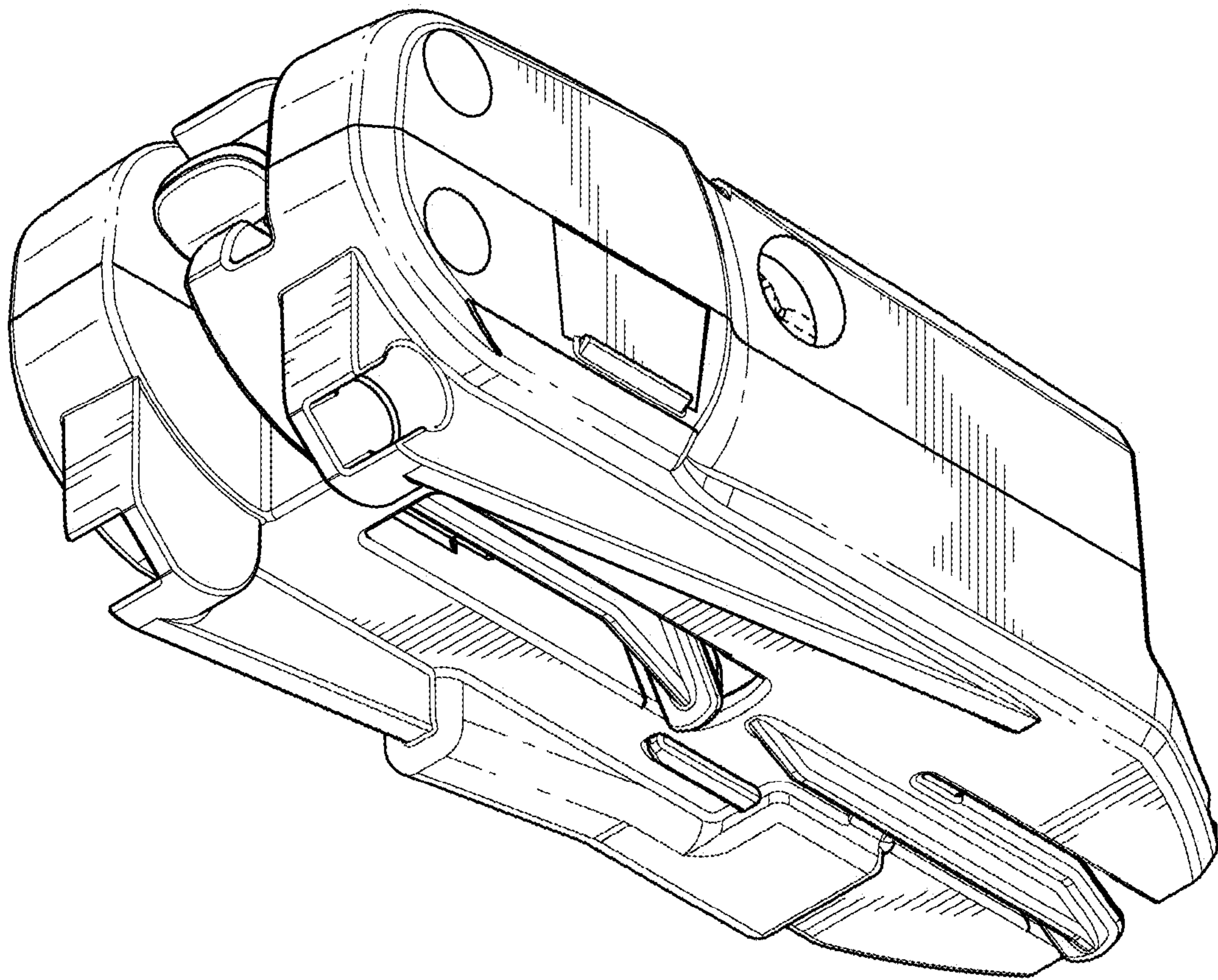


FIG. 2

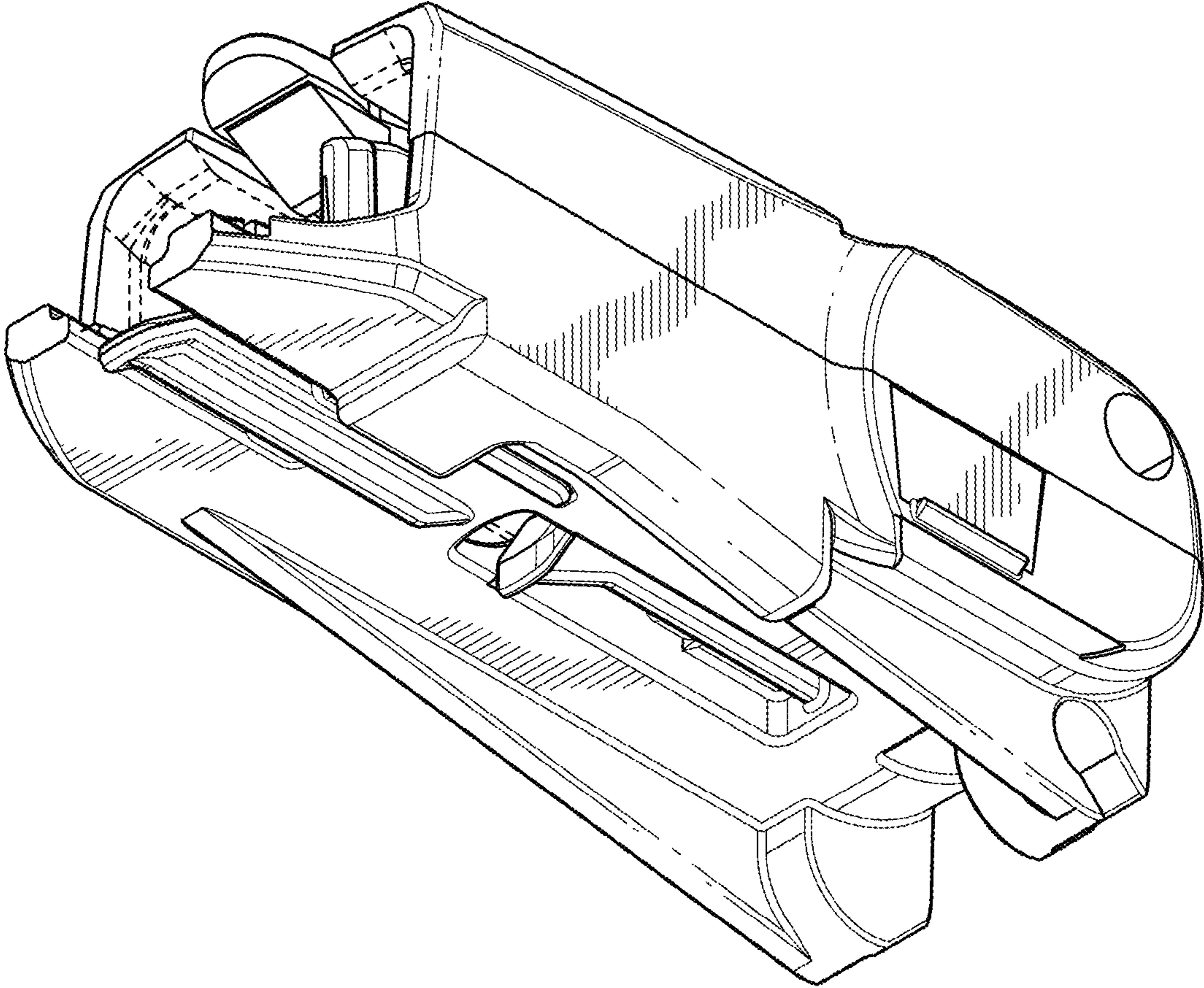


FIG. 3

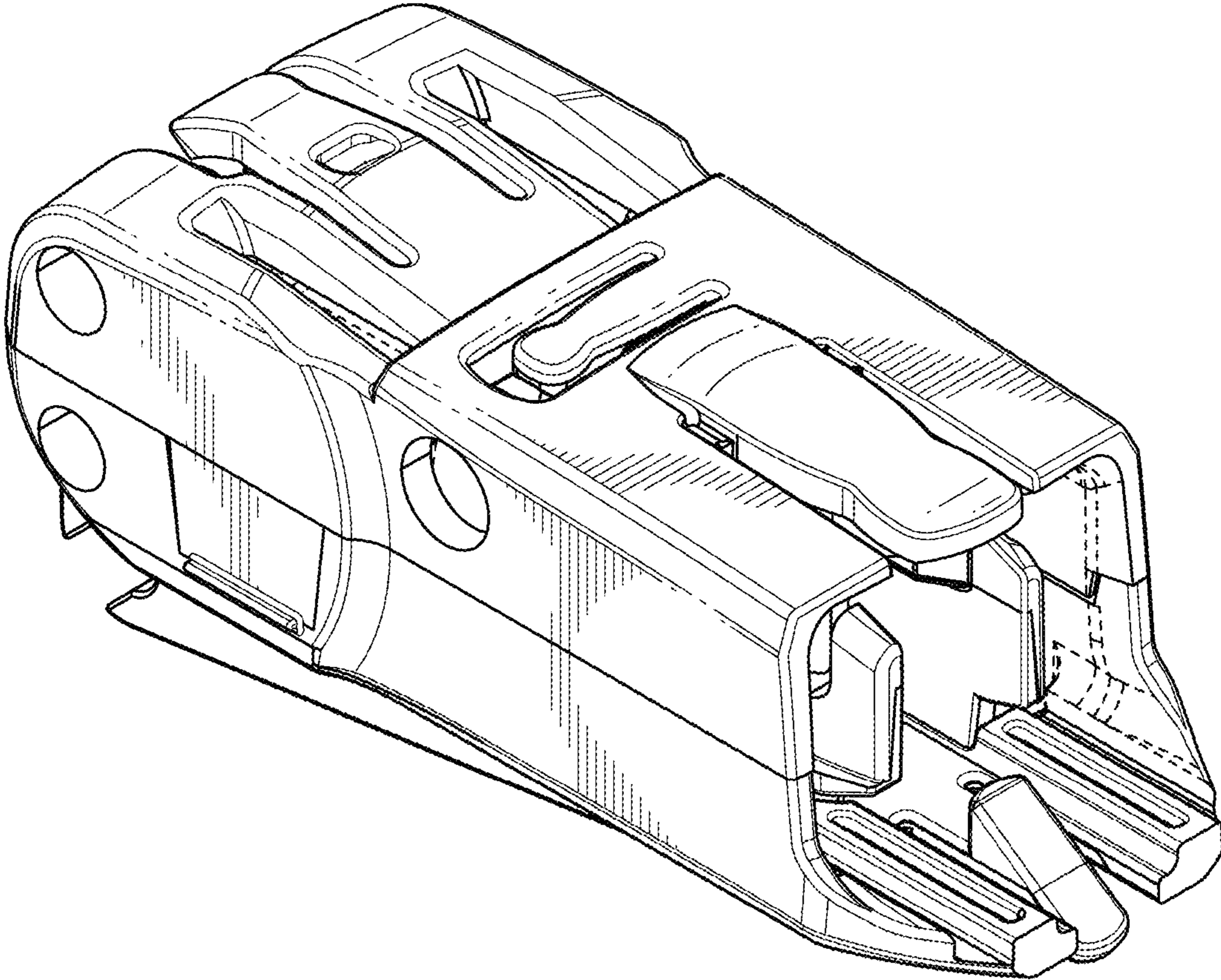


FIG.4

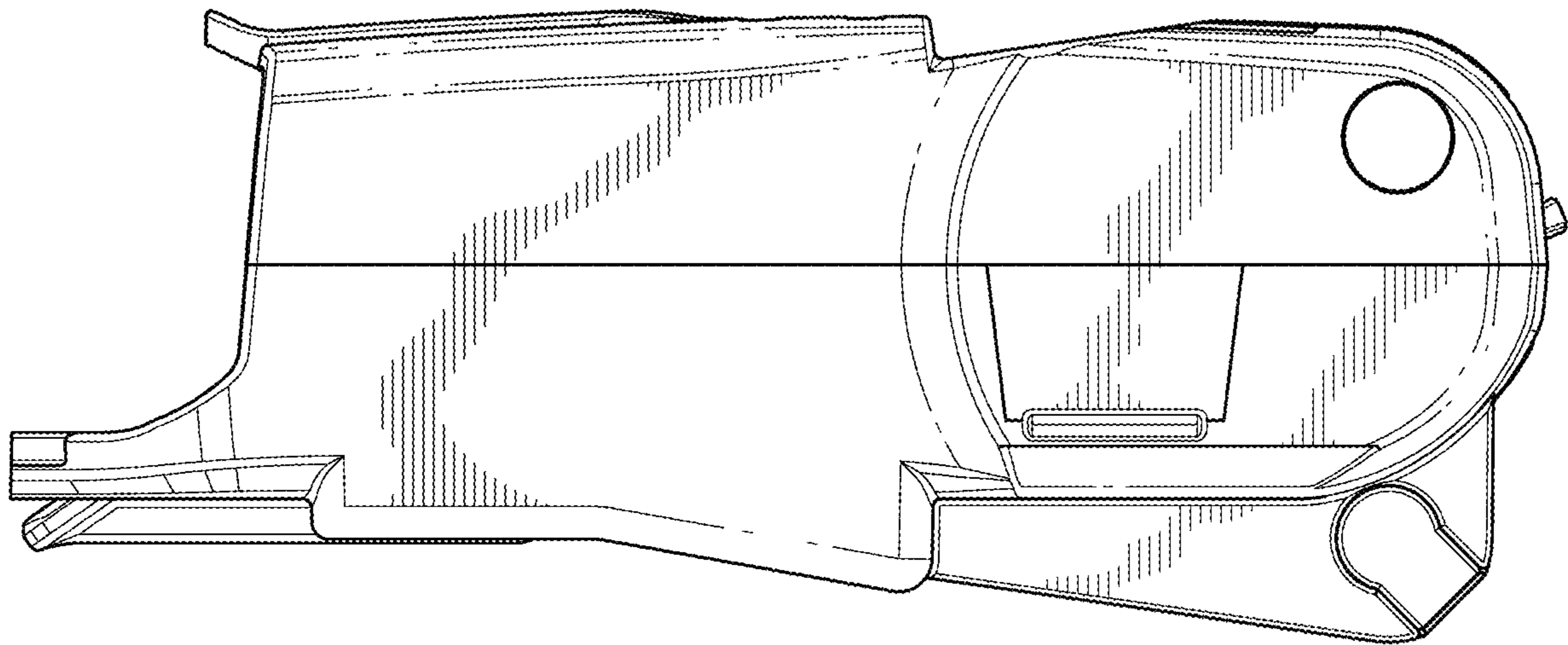


FIG. 5

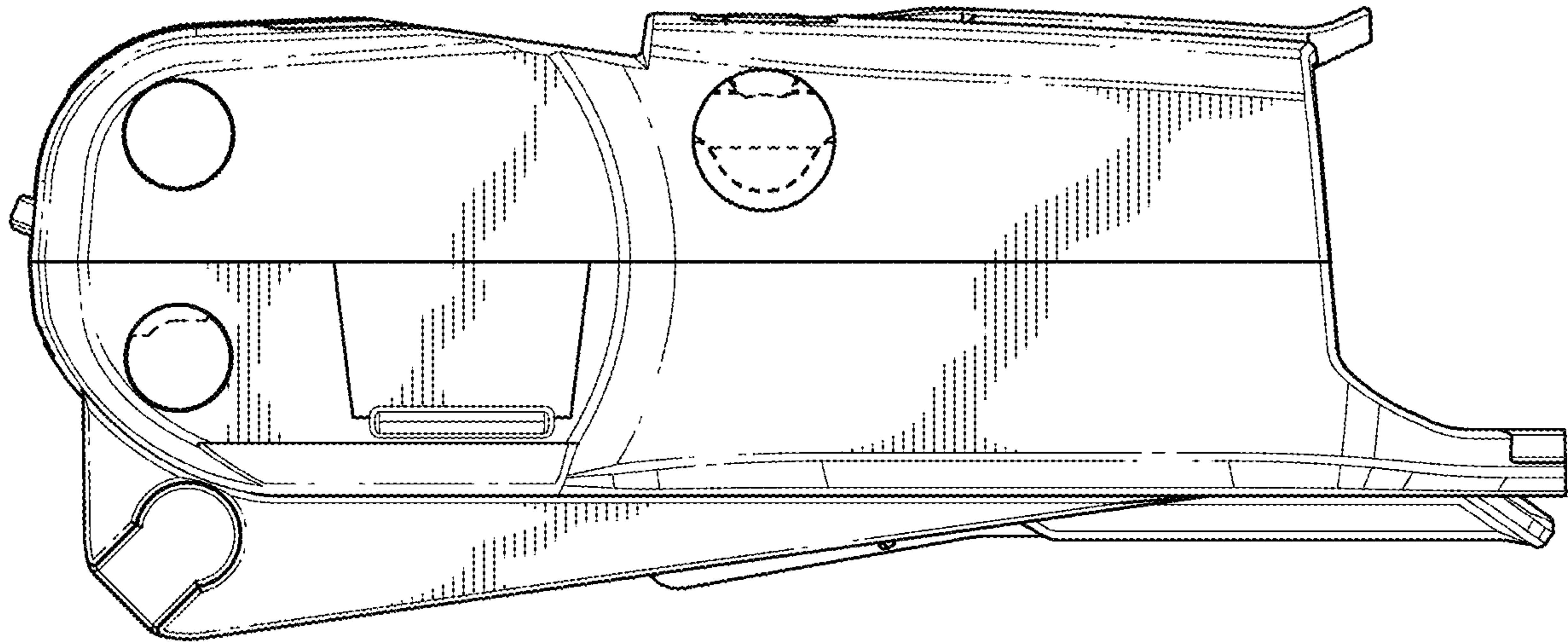


FIG. 6

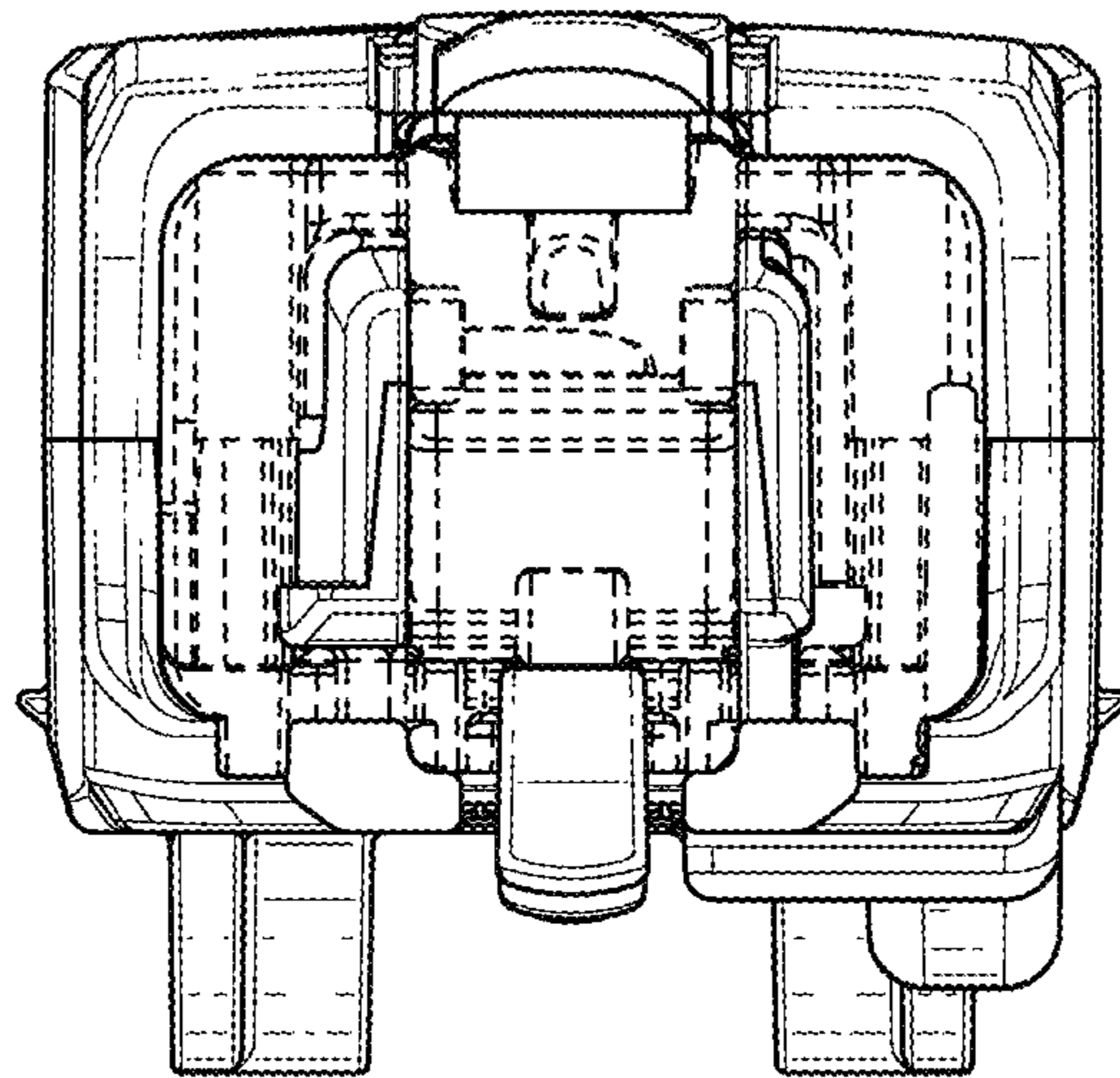


FIG. 7

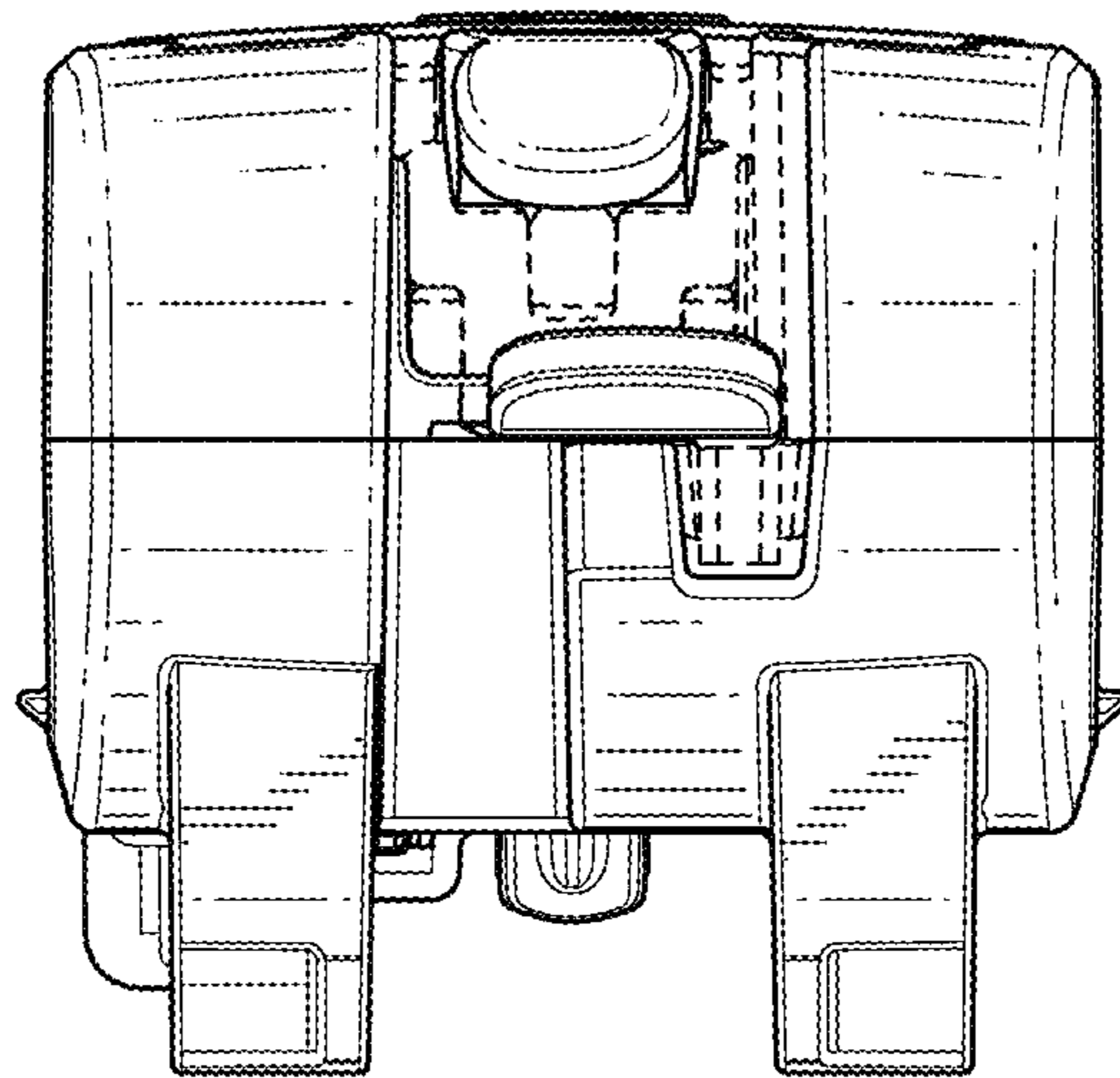


FIG. 8

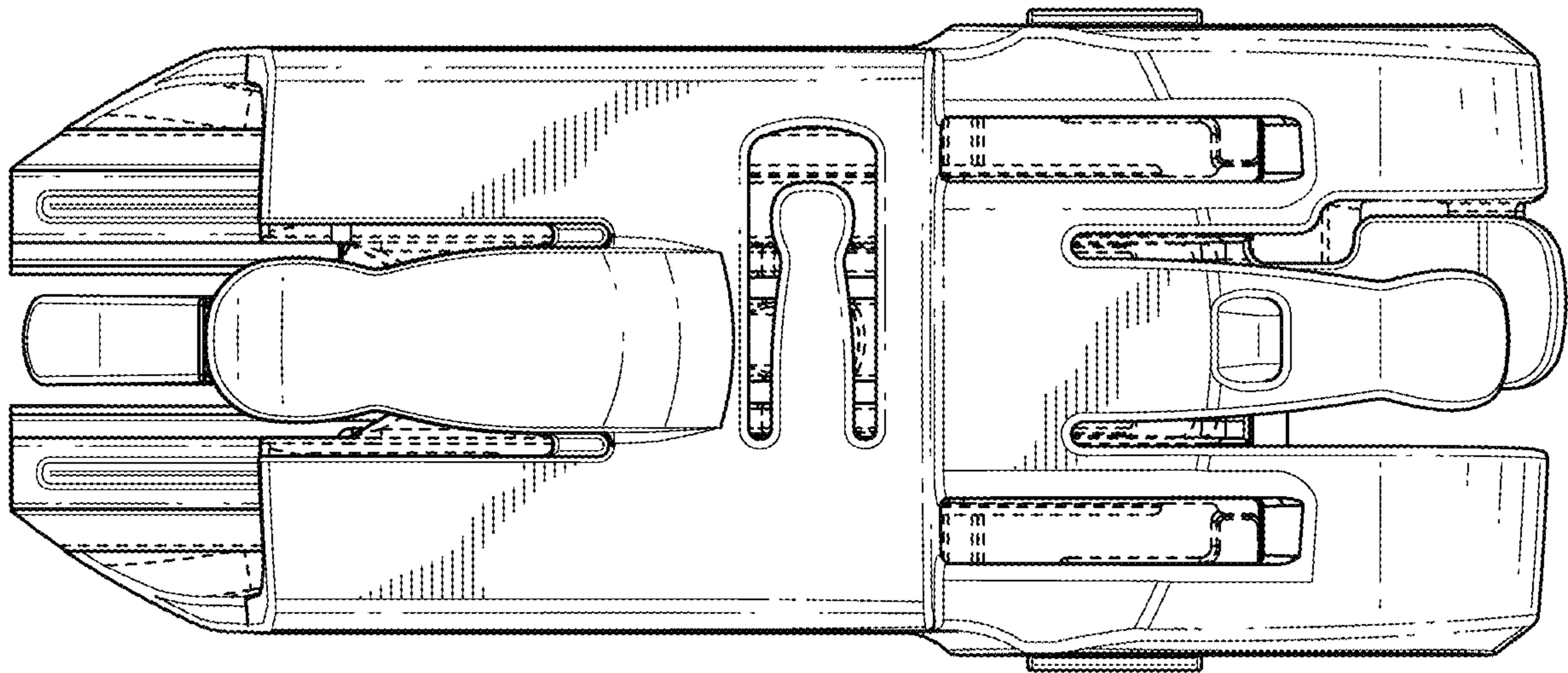


FIG. 9

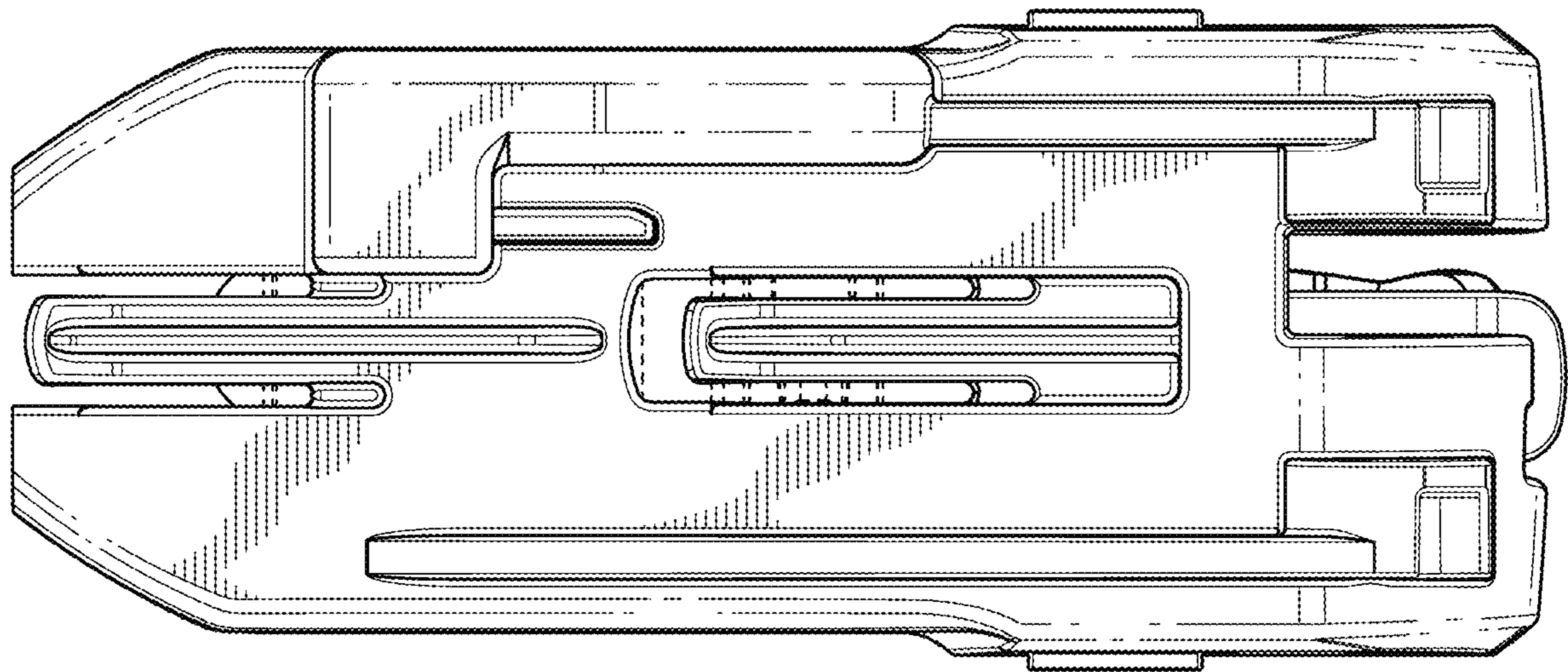


FIG. 10

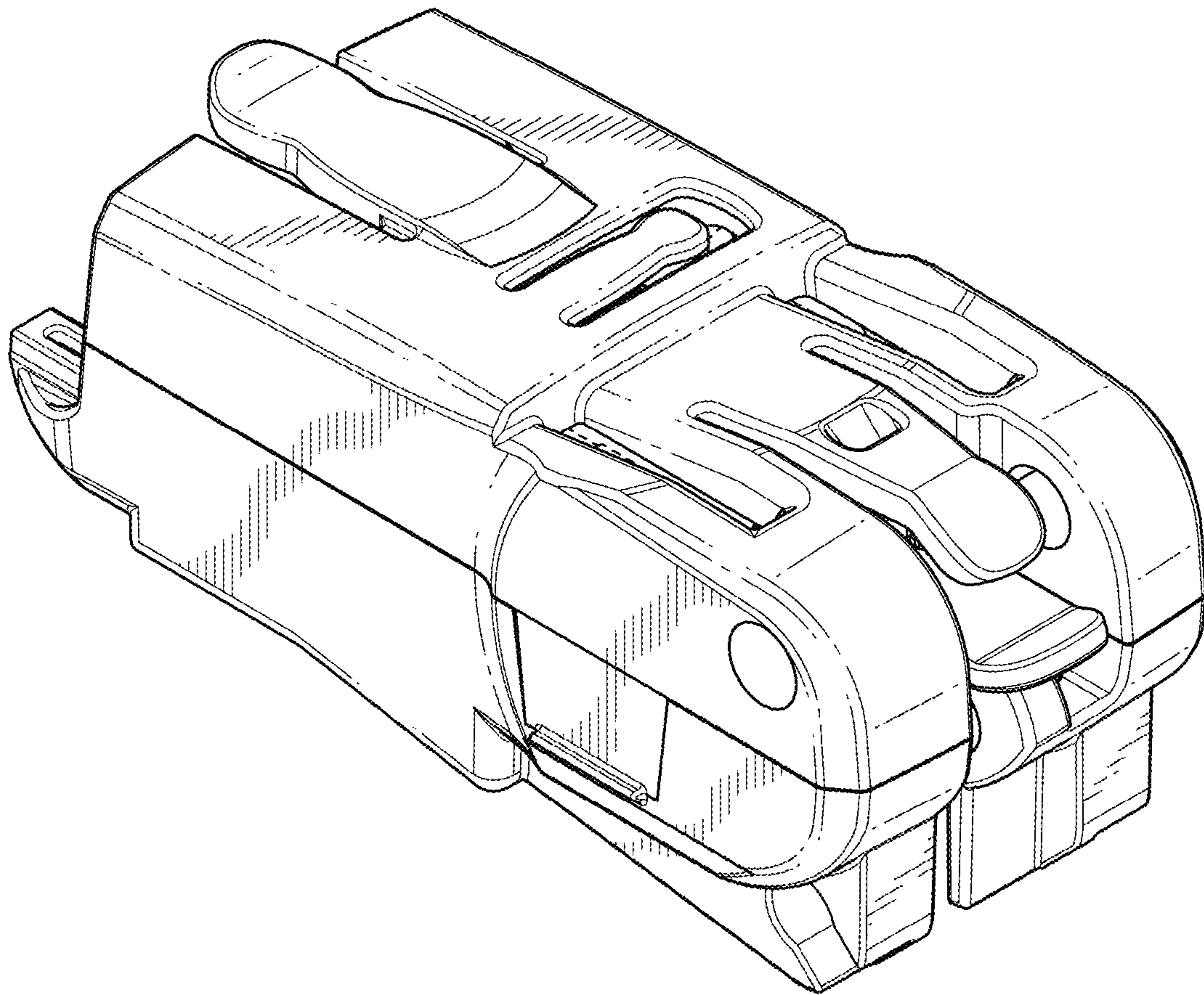


FIG. 11

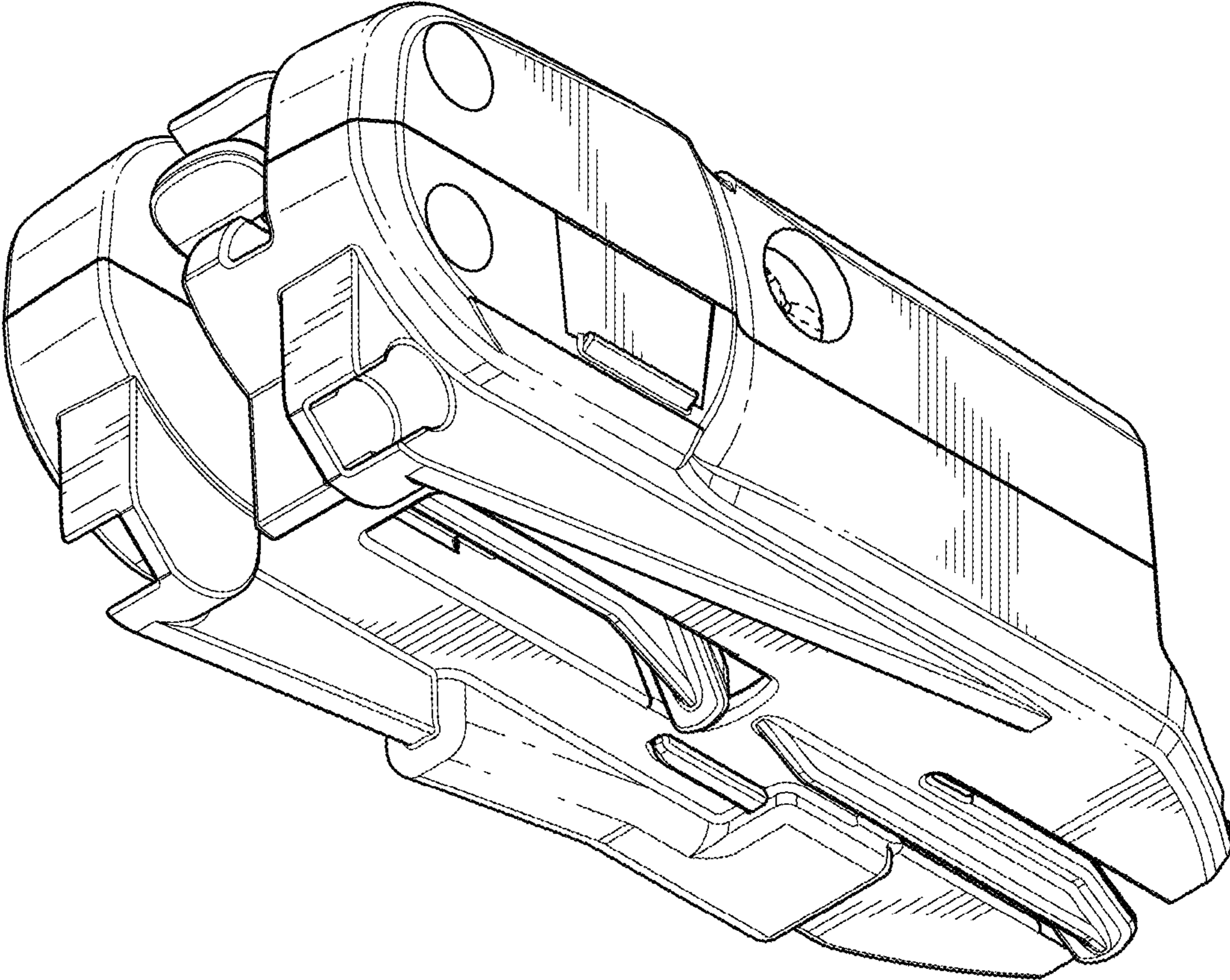


FIG. 12

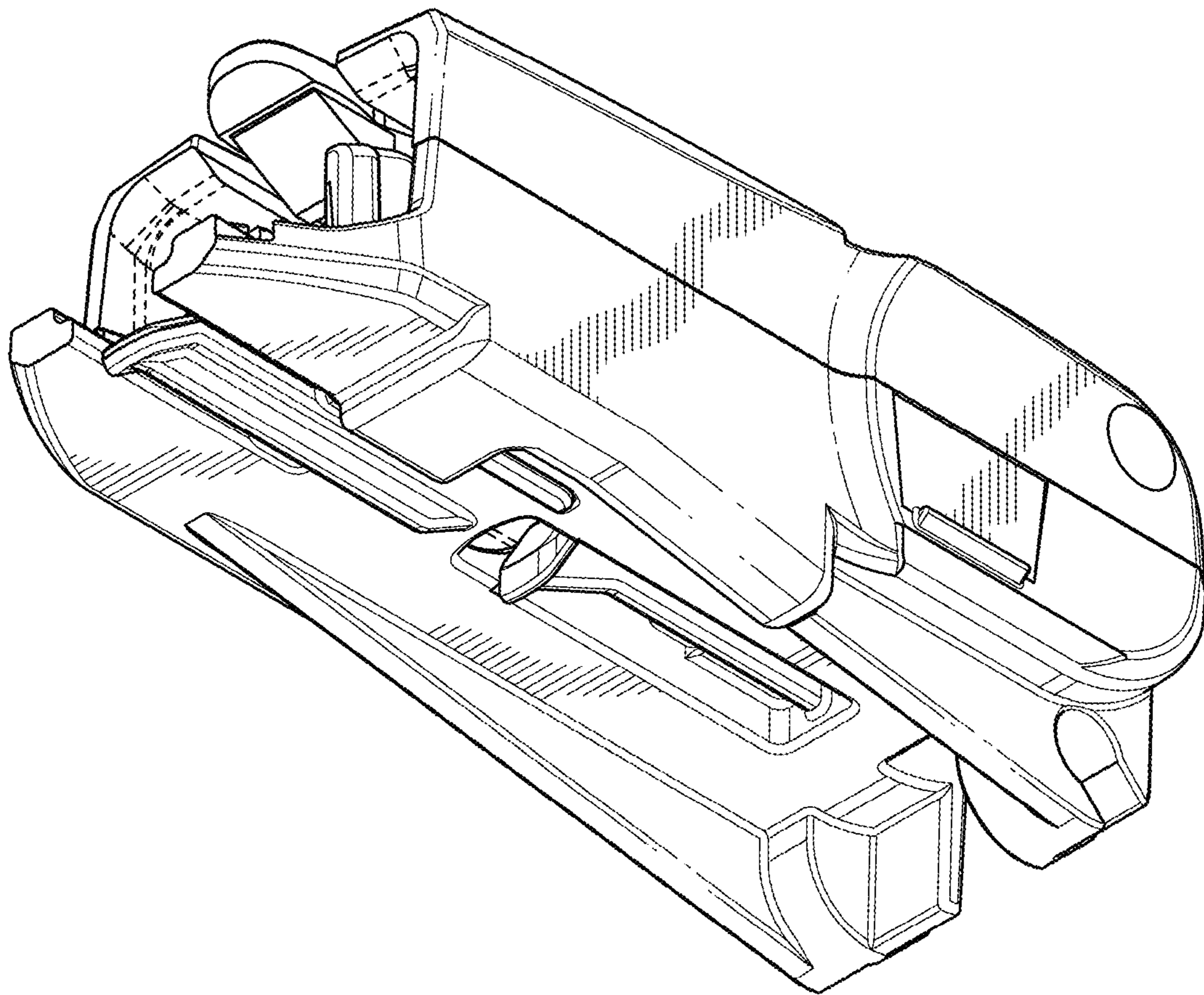


FIG. 13

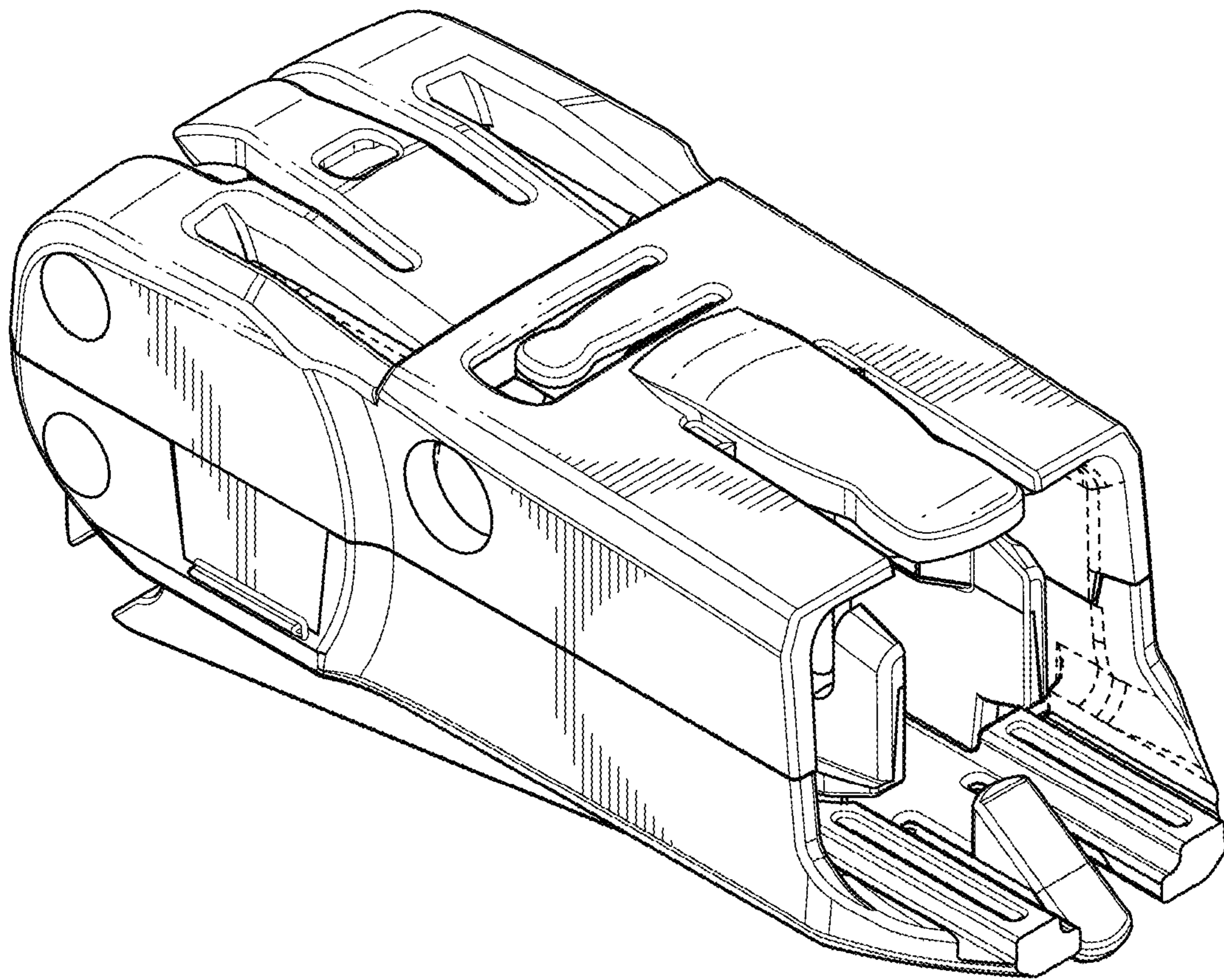


FIG. 14

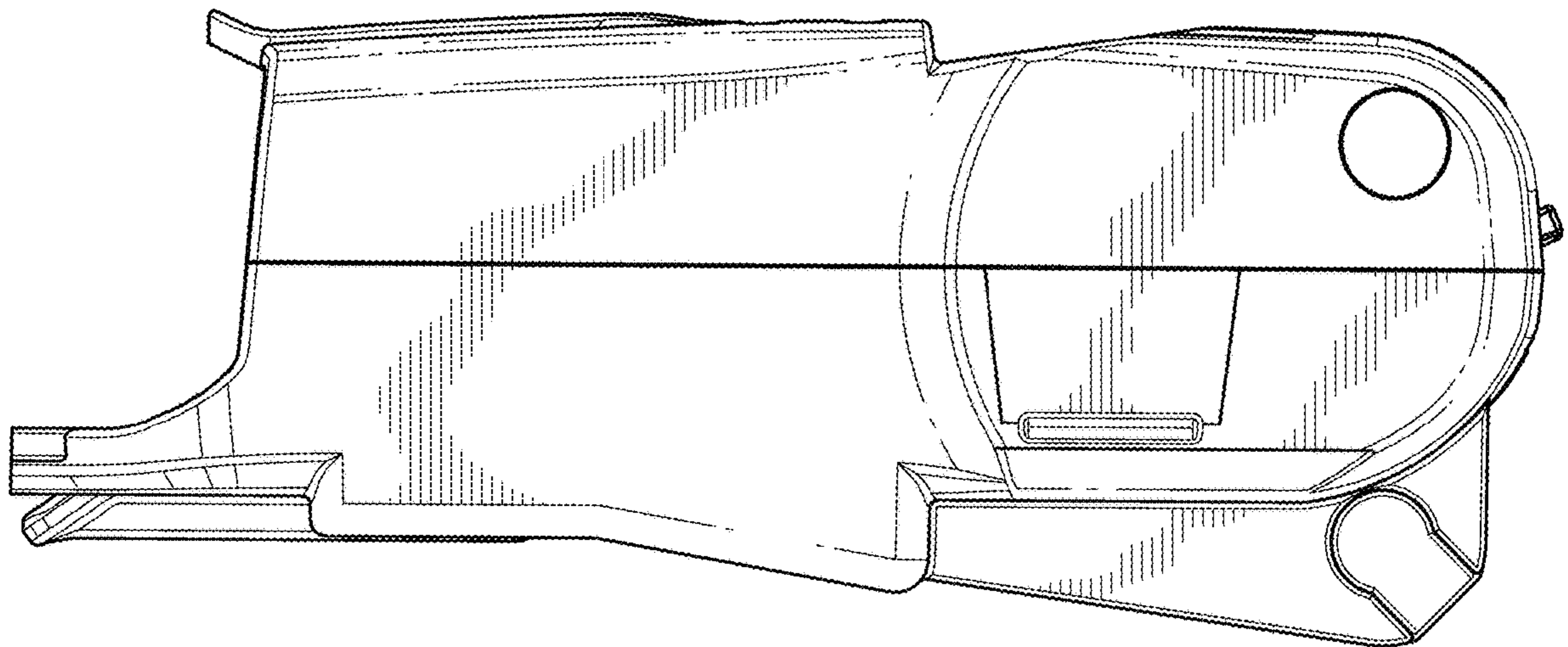


FIG. 15

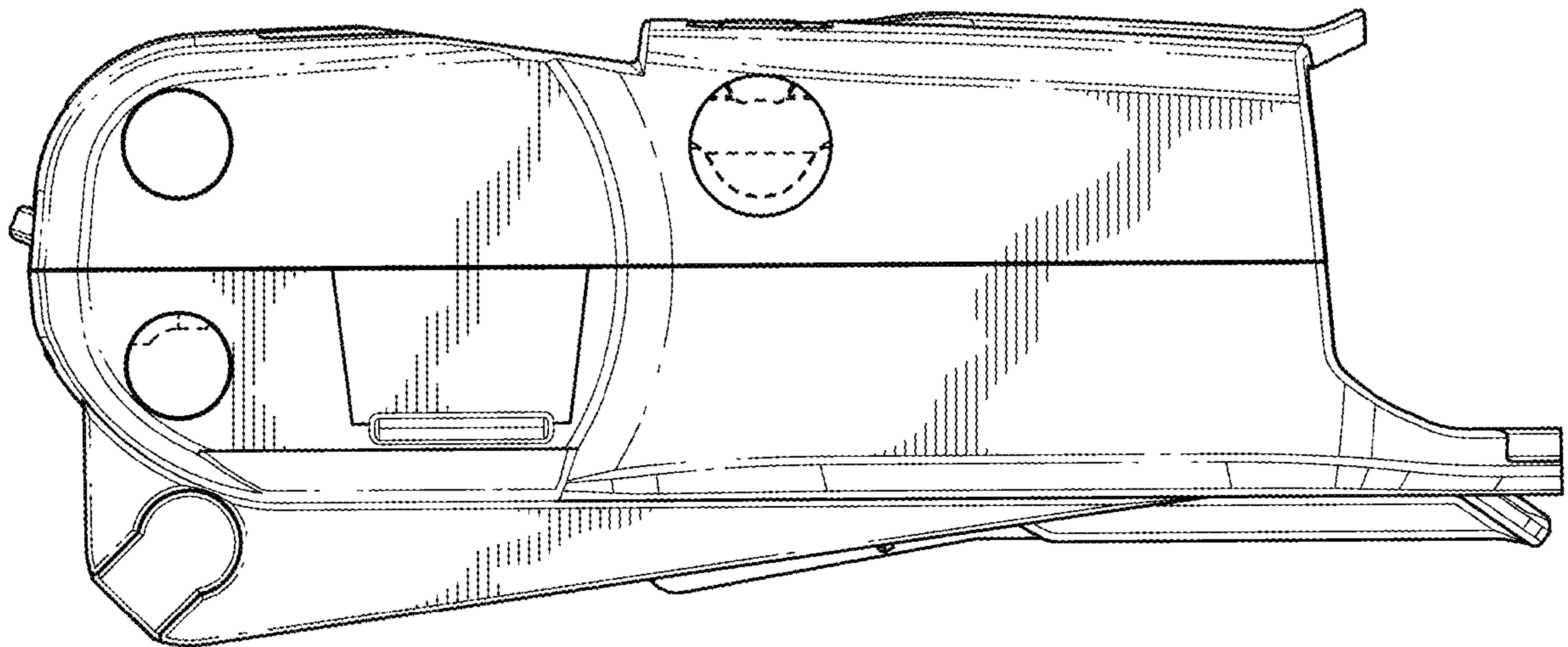


FIG. 16

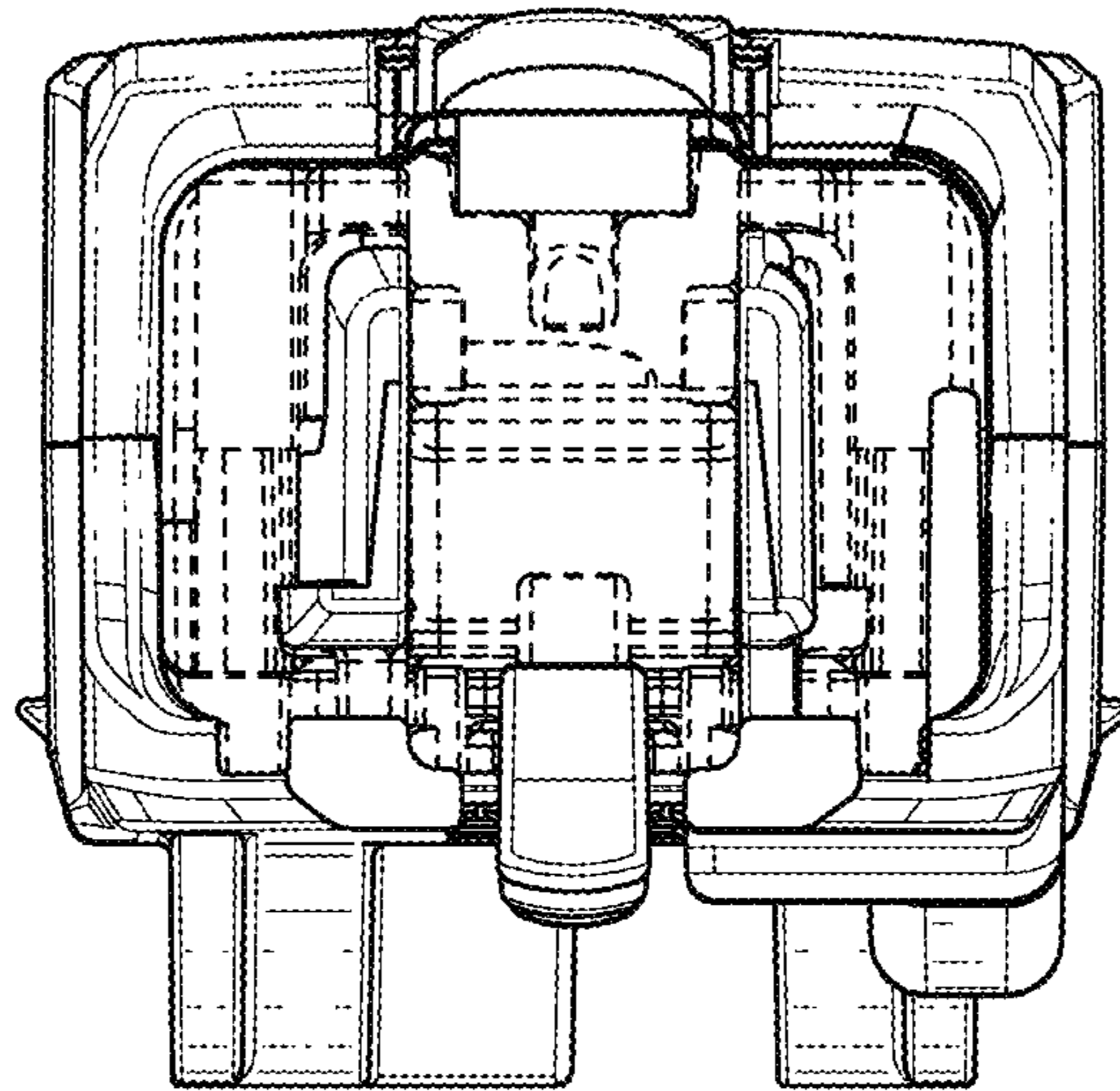


FIG. 17

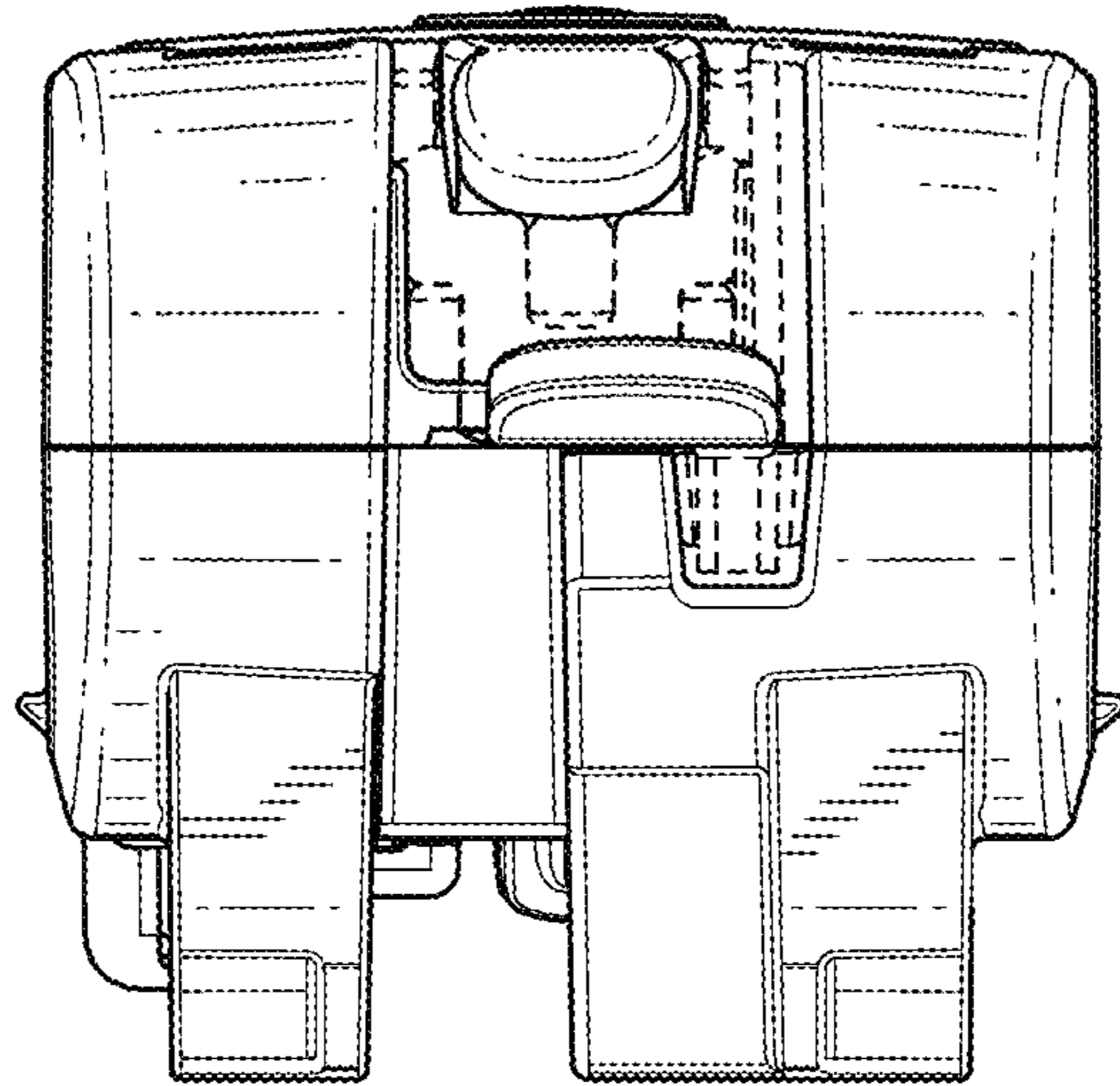


FIG. 18

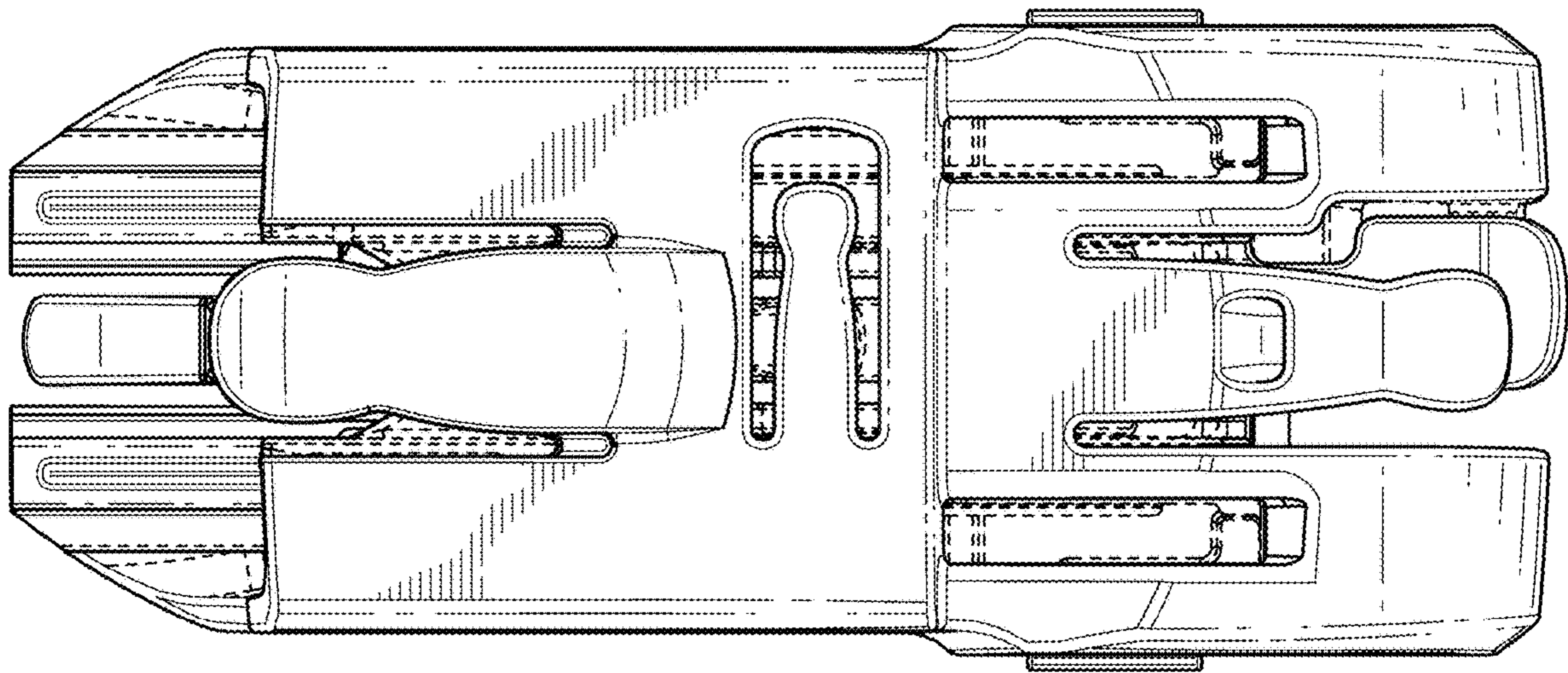


FIG. 19

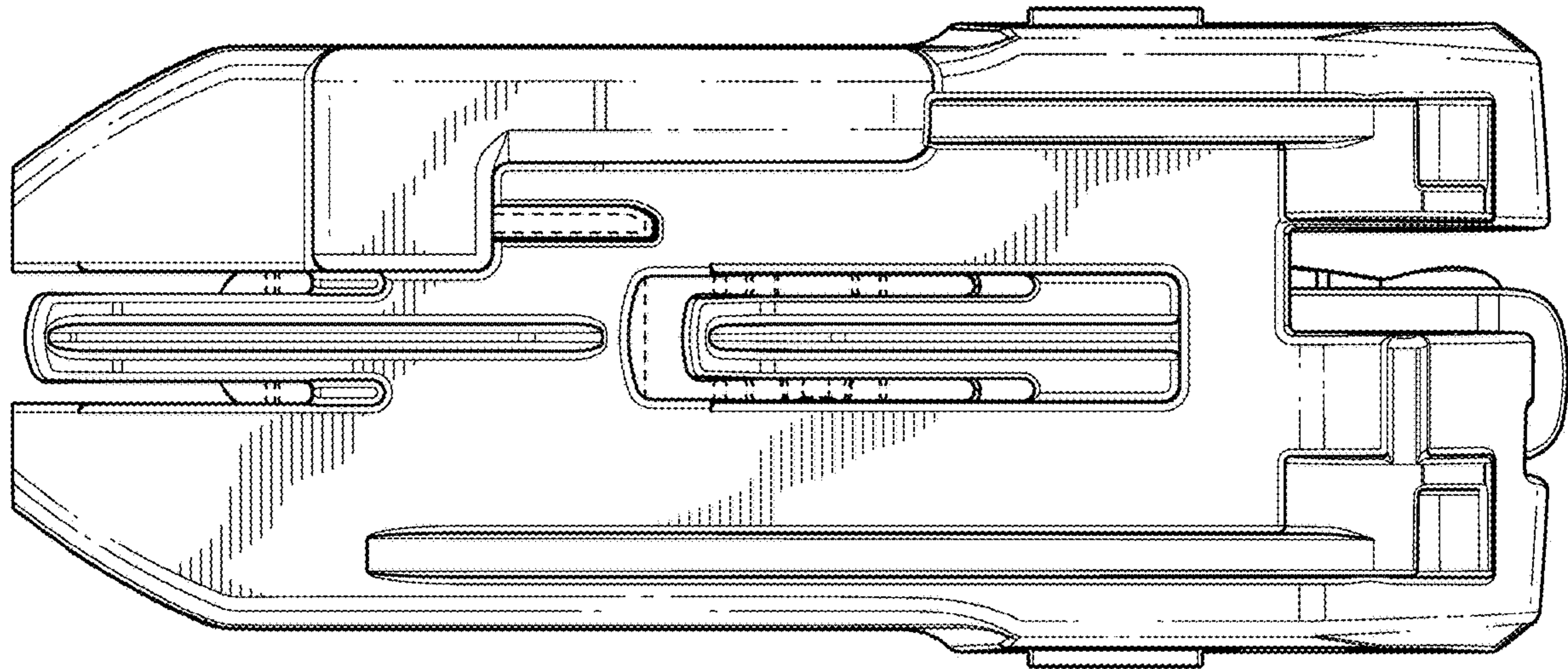


FIG. 20