



US00D904267S

(12) **United States Design Patent** (10) **Patent No.:** **US D904,267 S**  
**Patel** (45) **Date of Patent:** **\*\* Dec. 8, 2020**

(54) **TAILGATE**  
(71) Applicant: **Jaguar Land Rover Limited**, Coventry (GB)  
(72) Inventor: **Paven Patel**, Coventry (GB)  
(73) Assignee: **Jaguar Land Rover Limited**, Coventry (GB)  
(\*\*) Term: **15 Years**  
(21) Appl. No.: **29/687,711**  
(22) Filed: **Apr. 15, 2019**

(30) **Foreign Application Priority Data**  
Oct. 25, 2018 (EM) ..... 005808441  
(51) **LOC (12) Cl.** ..... **12-16**  
(52) **U.S. Cl.**  
USPC ..... **D12/196**  
(58) **Field of Classification Search**  
USPC ..... D12/86, 90, 91, 92, 163, 169, 171, 183, D12/196, 216  
CPC . B60J 11/00; B60J 11/06; B60R 13/00; B60R 13/10; B62D 25/10; B62D 35/00; B62D 35/007; E05D 5/062  
See application file for complete search history.

(56) **References Cited**  
U.S. PATENT DOCUMENTS  
D286,527 S \* 11/1986 Envall ..... D12/183  
5,172,954 A \* 12/1992 Yamazaki ..... B62D 35/007  
296/180.1  
D414,734 S \* 10/1999 Bangle ..... D12/196  
6,582,006 B1 \* 6/2003 Burch ..... B60R 13/10  
296/100.06  
7,478,492 B2 \* 1/2009 Madonia ..... B60K 35/00  
40/591  
8,083,260 B2 \* 12/2011 Haynes ..... B60J 11/06  
280/770

D663,666 S \* 7/2012 Matsumoto ..... D12/196  
8,251,431 B2 \* 8/2012 Nakazato ..... E05F 1/1033  
296/76  
D676,793 S \* 2/2013 Yamada ..... D12/196  
D682,757 S \* 5/2013 Song ..... D12/196  
D695,177 S \* 12/2013 Matsueda ..... D12/196

(Continued)

*Primary Examiner* — Susan Bennett Hattan  
*Assistant Examiner* — Suzanne E Tisdell  
(74) *Attorney, Agent, or Firm* — Wood Herron & Evans LLP

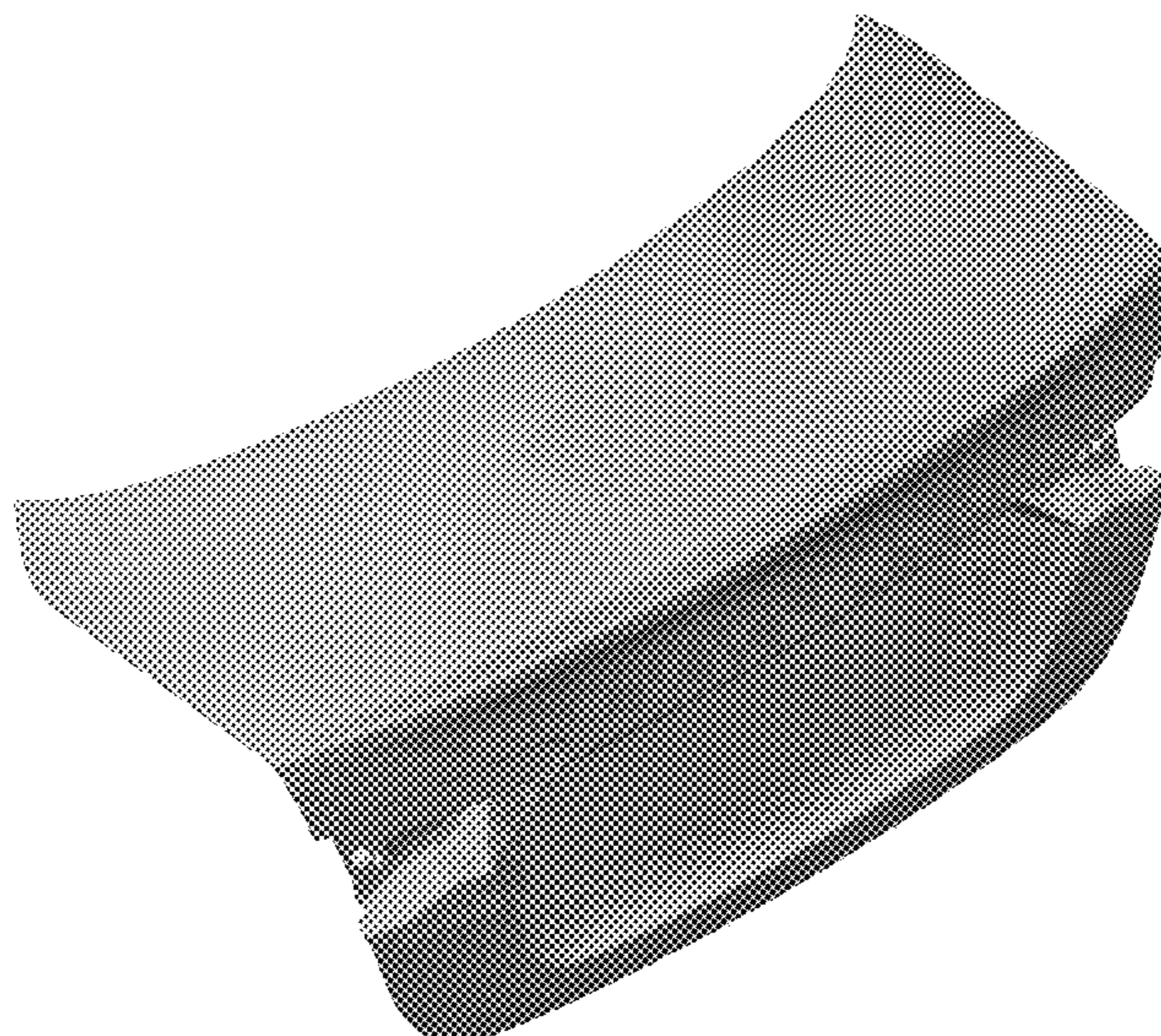
(57) **CLAIM**

The ornamental design for a tailgate, as shown and described.

**DESCRIPTION**

FIG. 1 is a front left elevated perspective view of a tailgate for a vehicle according to the present invention.  
FIG. 2 is a front left perspective view of the tailgate shown in FIG. 1.  
FIG. 3 is a rear right elevated perspective view thereof.  
FIG. 4 is a rear right perspective view thereof.  
FIG. 5 is a front view thereof.  
FIG. 6 is a rear view thereof.  
FIG. 7 is a left side view thereof.  
FIG. 8 is a right side view thereof.  
FIG. 9 is a top view thereof.  
FIG. 10 is a bottom view thereof; and,  
FIG. 11 is a front view of the tailgate shown in FIGS. 1-10, but with the tailgate mounted on a vehicle, and the rest of the vehicle shown in de-emphasized and half-tone portions so as to illustrate environmental structure. These portions form no part of the claimed design. More particularly, in FIG. 11, the inventive tailgate is shown within the broken line, and the elements shown outside the broken line form no part of the claimed design, but are instead included to show environmental aspects thereof, and form an unclaimed boundary of the design.

**1 Claim, 11 Drawing Sheets**



(56)

**References Cited**

U.S. PATENT DOCUMENTS

9,011,056 B2 *	4/2015	Malmstrom	.....	B60P 7/135
				410/121
D731,942 S *	6/2015	Hammoud	.....	D12/196
D743,864 S *	11/2015	Loeb	.....	D12/196
D780,076 S *	2/2017	Peat	.....	D12/164
D784,885 S *	4/2017	Curic	.....	D12/196
D785,532 S *	5/2017	Park	.....	D12/196
D791,030 S *	7/2017	Faghihzadeh	.....	D12/196
D797,631 S *	9/2017	Pevovar	.....	D12/196
D800,021 S *	10/2017	Hagino	.....	D12/92
D804,384 S *	12/2017	Park	.....	D12/196
D813,773 S *	3/2018	Cho	.....	D12/196
D818,922 S *	5/2018	Whitla	.....	D12/196
D823,211 S *	7/2018	Lim	.....	D12/196
D823,762 S *	7/2018	Loeb	.....	D12/196

\* cited by examiner



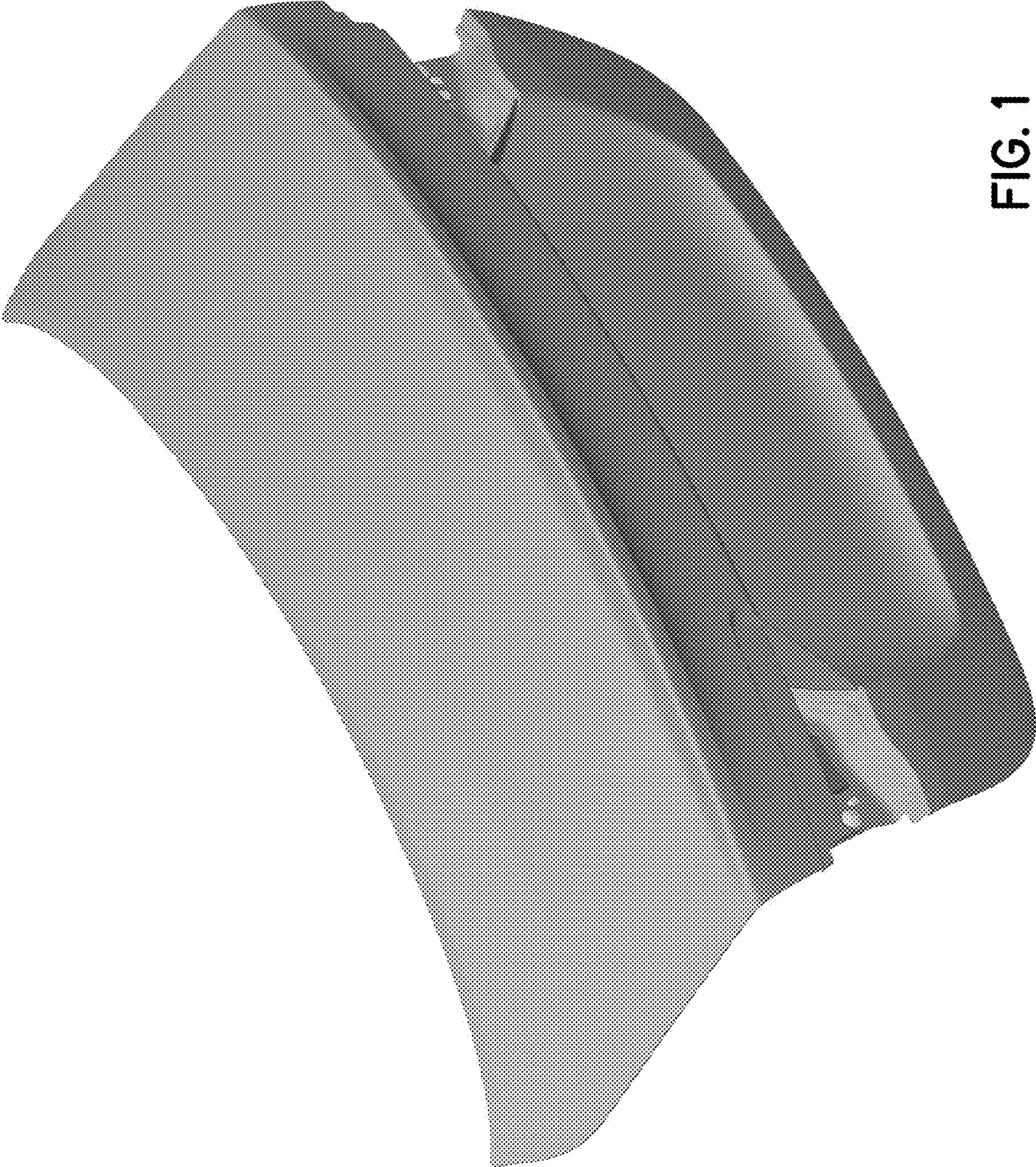


FIG. 1



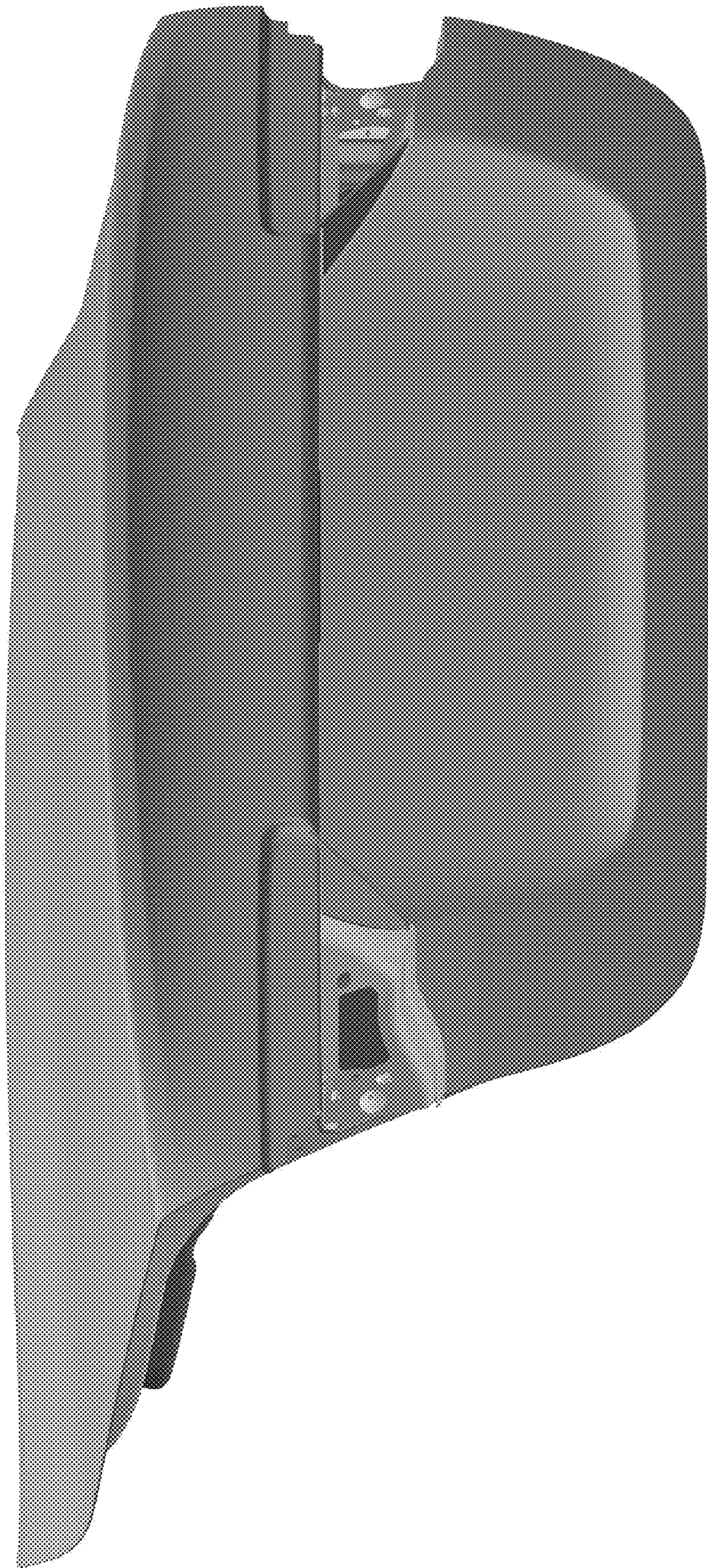


FIG. 2



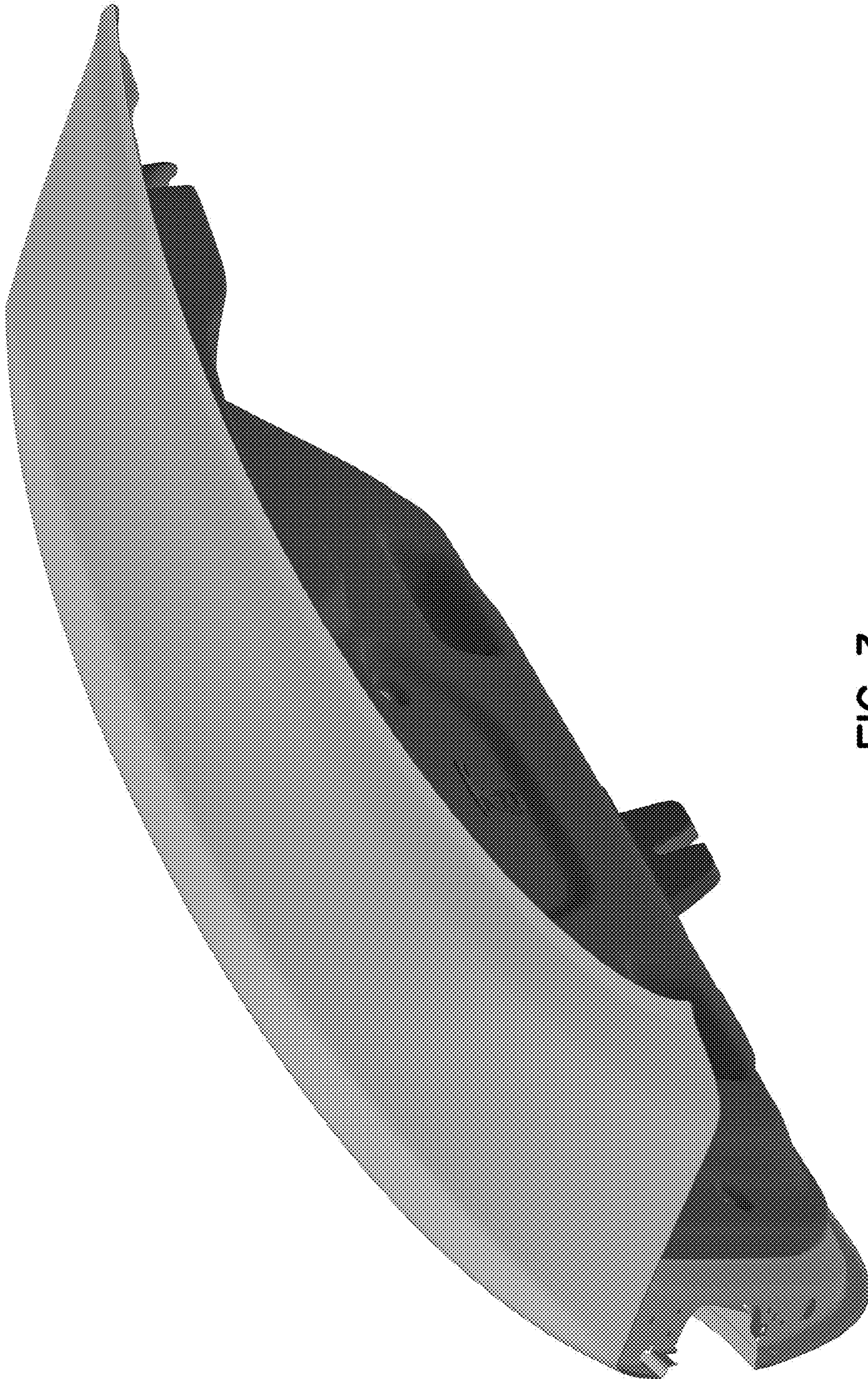


FIG. 3



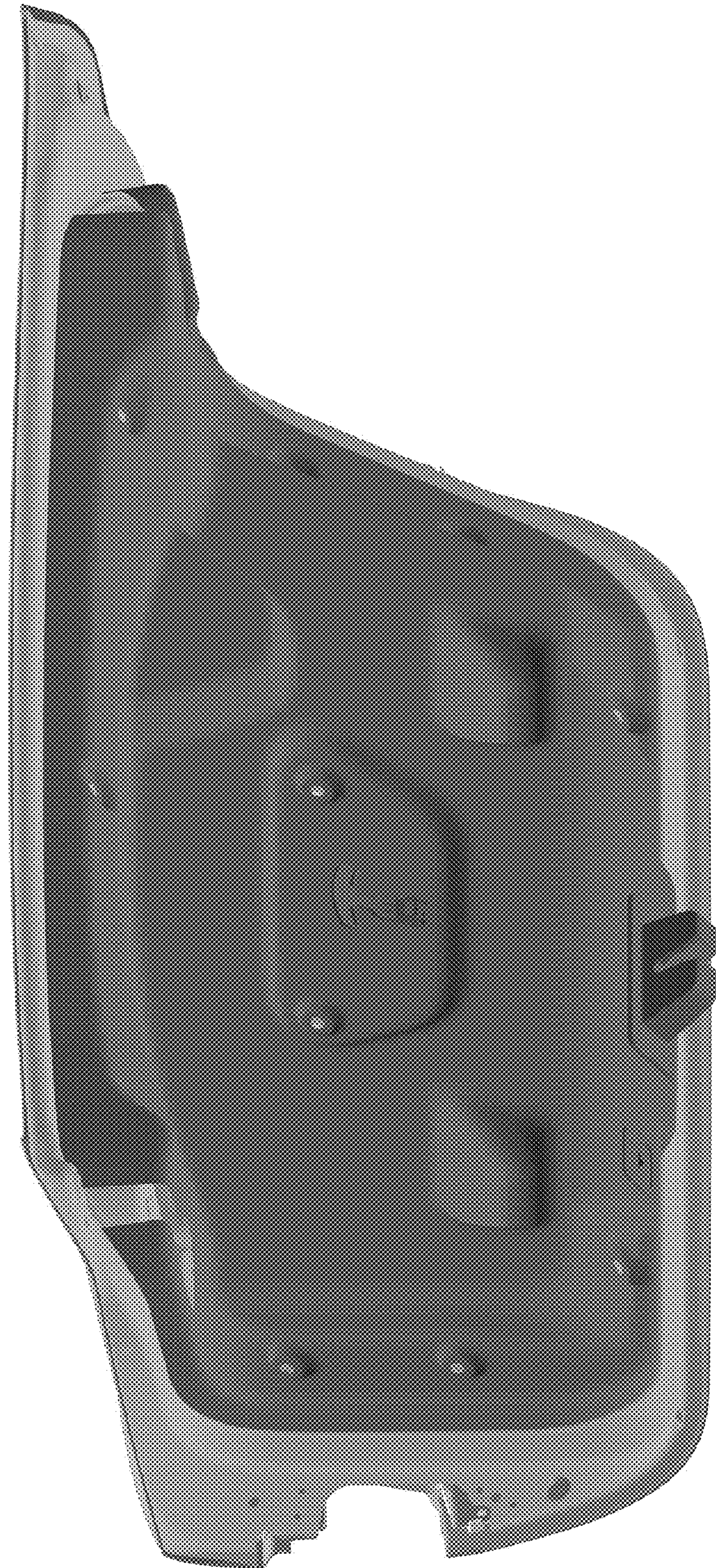


FIG. 4



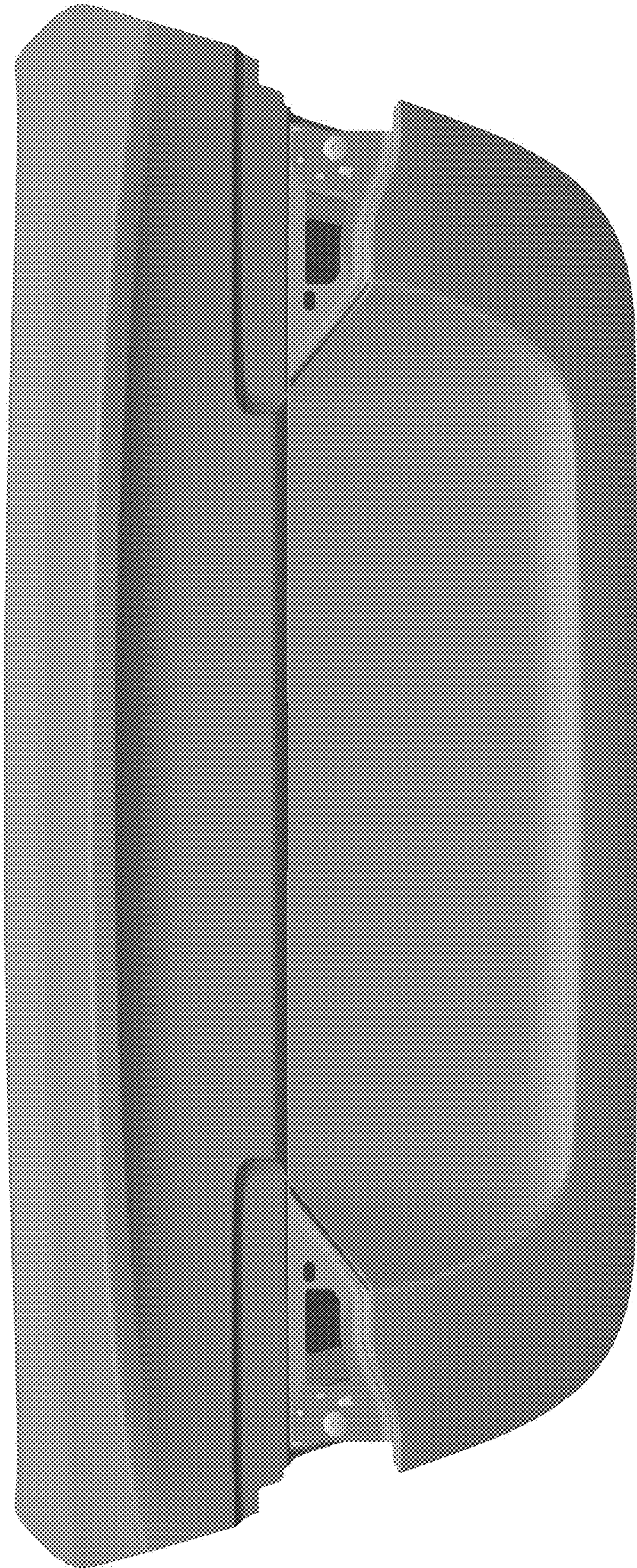


FIG. 5



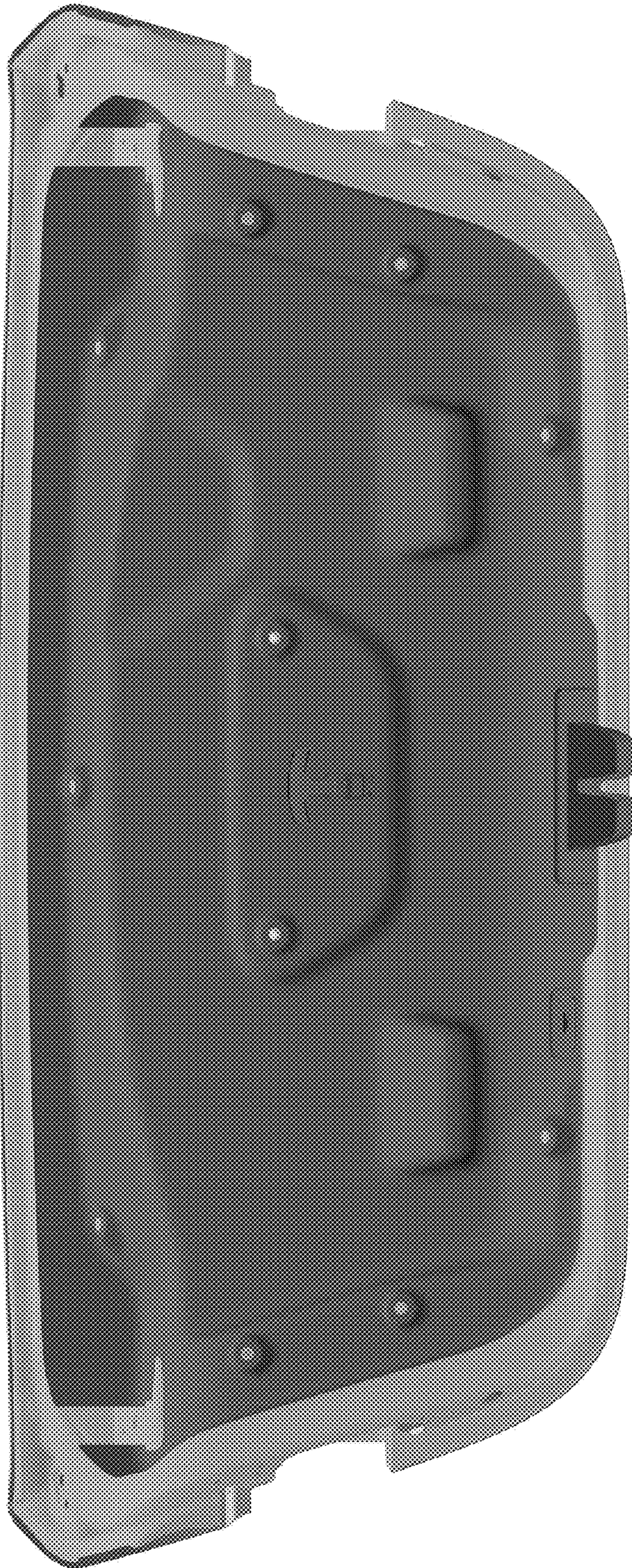


FIG. 6



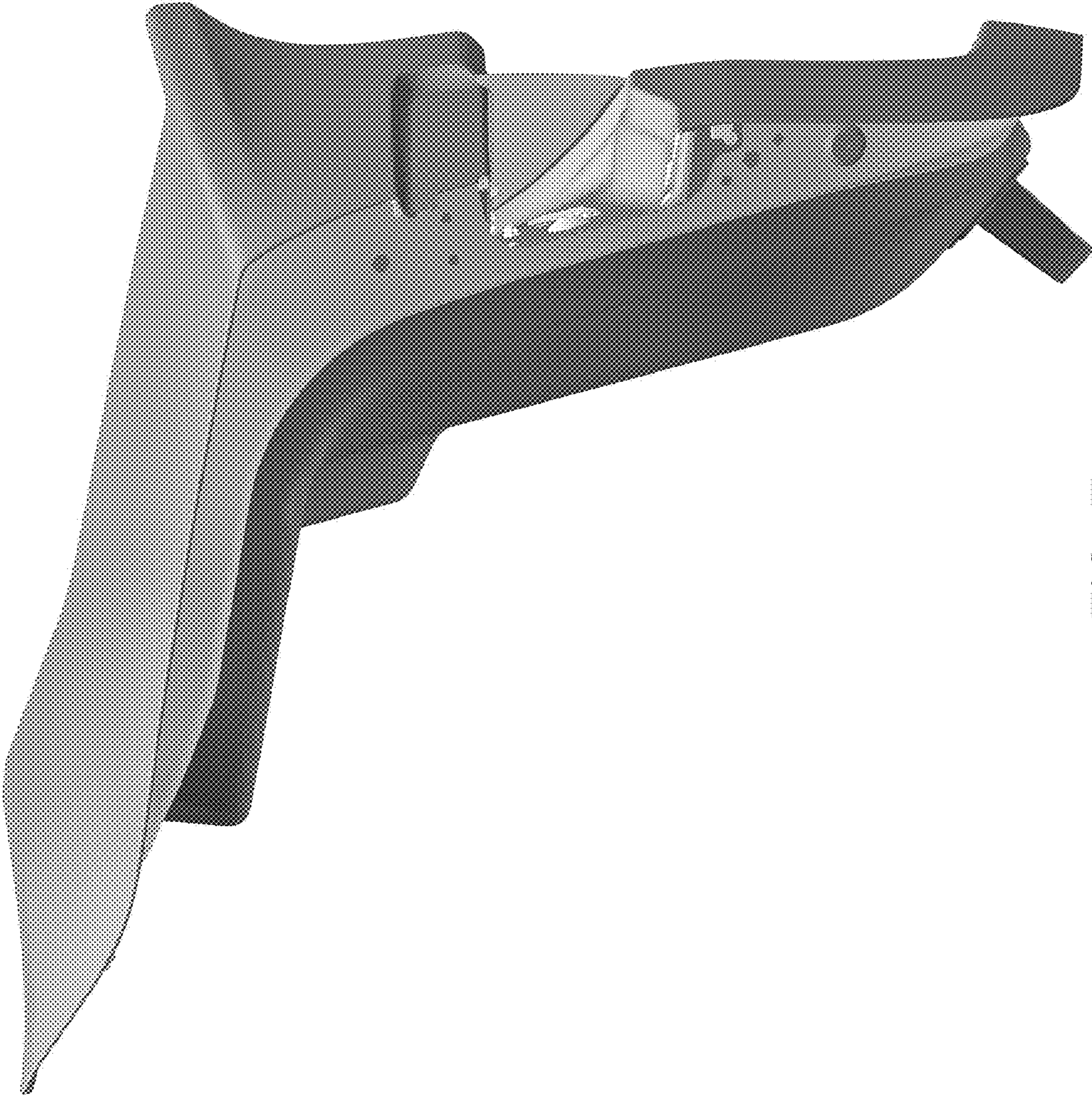


FIG. 7





FIG. 8



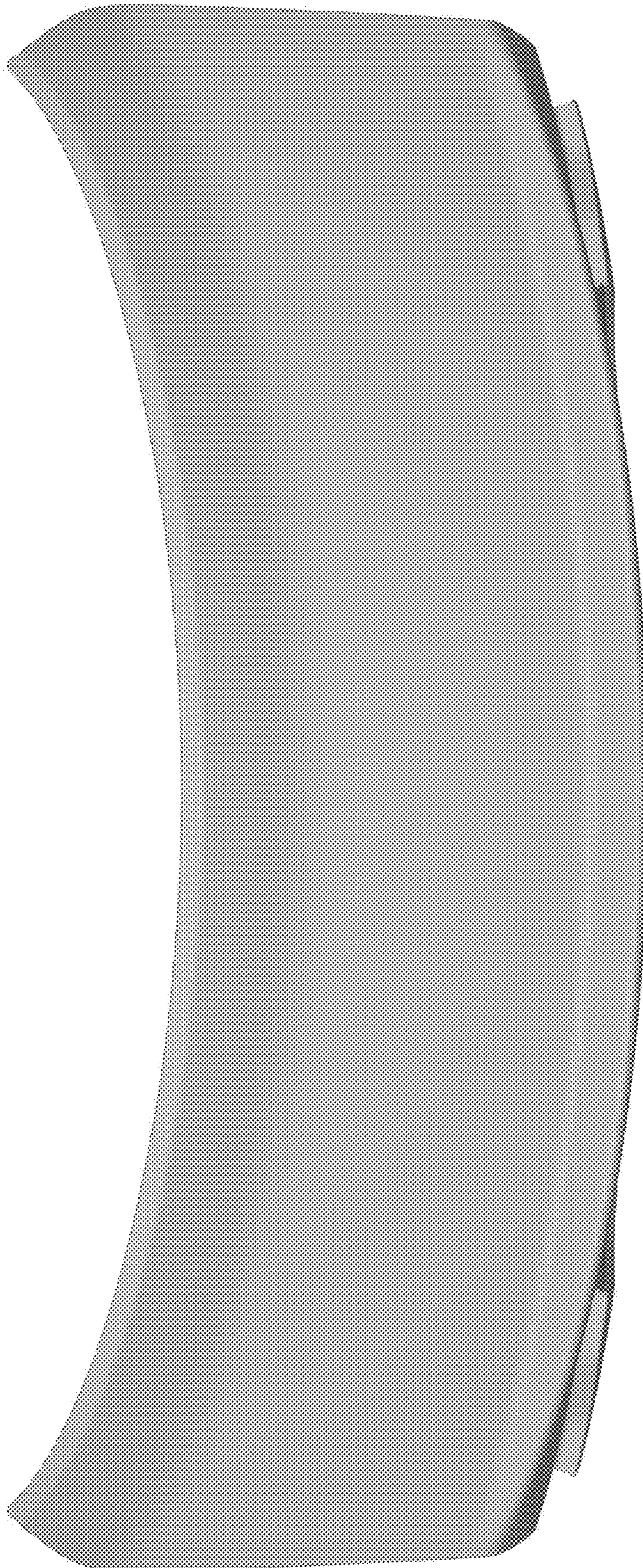


FIG. 9



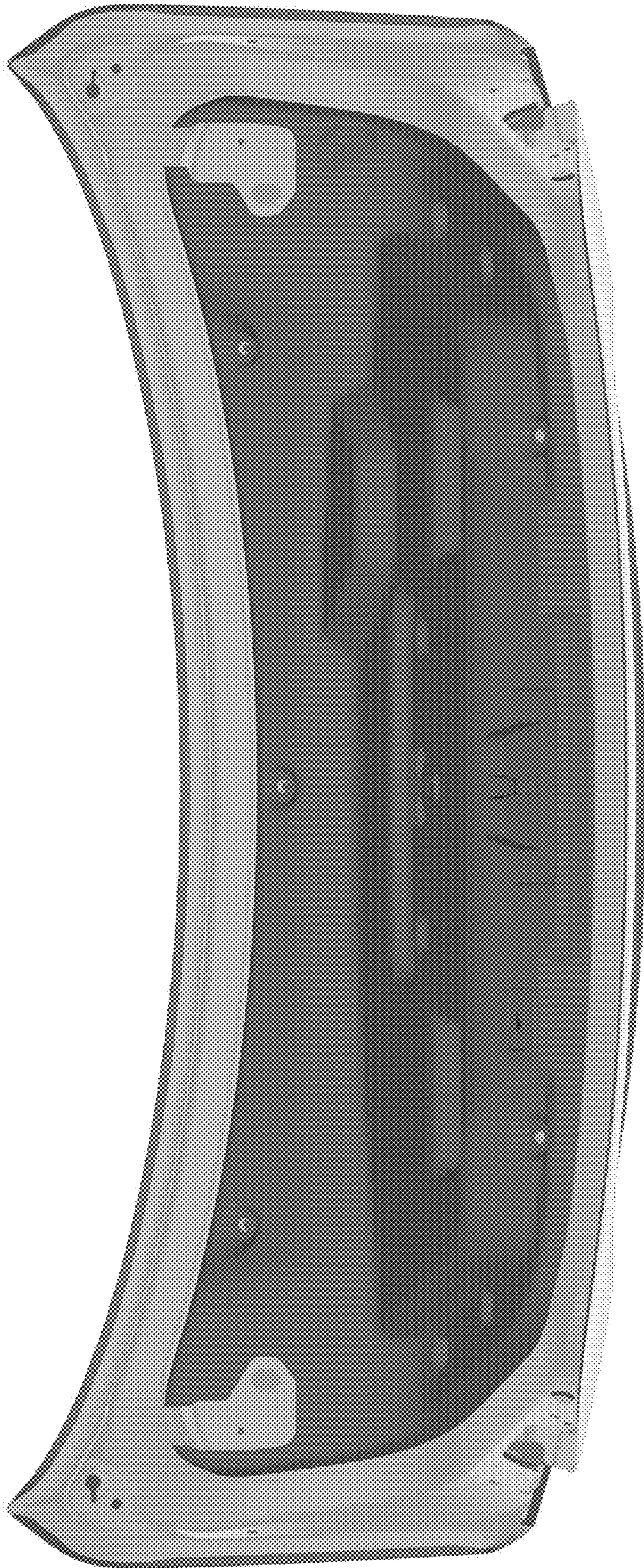


FIG. 10



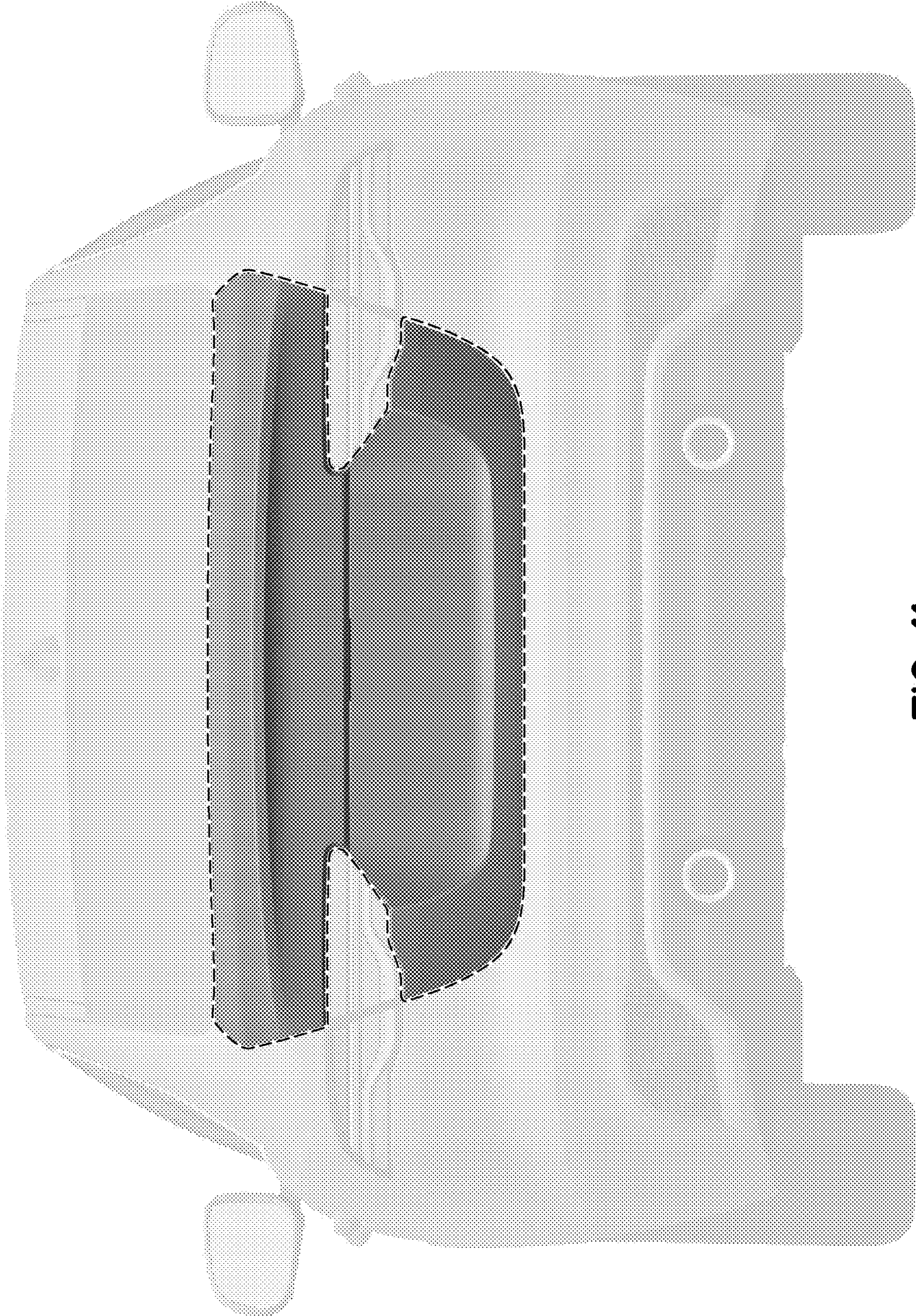


FIG. 11