



US00D904265S

(12) **United States Design Patent** (10) **Patent No.:** **US D904,265 S**  
**Battams et al.** (45) **Date of Patent:** **\*\* Dec. 8, 2020**

(54) **FRONT BUMPER**

(71) Applicant: **Jaguar Land Rover Limited**, Coventry (GB)

(72) Inventors: **Robert Battams**, Coventry (GB);  
**Massimo Frascella**, Coventry (GB)

(73) Assignee: **Jaguar Land Rover Limited**, Coventry (GB)

(\*\*) Term: **15 Years**

(21) Appl. No.: **29/673,666**

(22) Filed: **Dec. 17, 2018**

(30) **Foreign Application Priority Data**

Jun. 28, 2018 (EM) ..... 005329133

(51) **LOC (12) Cl.** ..... **12-16**

(52) **U.S. Cl.**  
USPC ..... **D12/196**

(58) **Field of Classification Search**  
USPC ..... D12/86, 90-92, 163-169, 170-173, 181,  
D12/196, 216, 400

CPC ..... B60R 19/02; B60R 19/04; B60R 19/12;  
B60R 19/50; B60R 19/52; B60R  
2019/525; B62D 25/08; B62D 25/084;  
B60K 11/08; B60K 11/085; H01Q 1/32;  
B62B 9/16

See application file for complete search history.

(56) **References Cited**

**U.S. PATENT DOCUMENTS**

D566,015 S \* 4/2008 Beigel ..... D12/163  
D609,149 S \* 2/2010 Larson ..... D12/181  
D617,698 S \* 6/2010 Lamm ..... D12/169  
D686,117 S \* 7/2013 Tase ..... D12/163  
D706,692 S \* 6/2014 Wheel ..... D12/196  
D726,083 S \* 4/2015 Wheel ..... D12/196  
D738,270 S \* 9/2015 Blanski ..... D12/169  
D748,547 S \* 2/2016 Battams ..... D12/190

D750,300 S \* 2/2016 Frascella ..... D26/28  
D758,921 S \* 6/2016 Hatton ..... D12/92  
D760,137 S \* 6/2016 Galante ..... D12/196  
D763,152 S \* 8/2016 Frascella ..... D12/190

(Continued)

**FOREIGN PATENT DOCUMENTS**

CN 304683087 \* 6/2018

**OTHER PUBLICATIONS**

2019 Range Rover Evoque driving.co.uk <https://www.driving.co.uk/news/new-cars/2019-range-rover-evoque-prices-release-date-images-details/> Posted Nov. 22, 2018 (Year: 2018).\*

(Continued)

*Primary Examiner* — Leanne Was-Englehart

(74) *Attorney, Agent, or Firm* — Wood Herron & Evans LLP

(57) **CLAIM**

The ornamental design for a front bumper, as shown and described.

**DESCRIPTION**

FIG. 1 is a front view of a front bumper according to the present invention.

FIG. 2 is a front left perspective view of the front bumper shown in FIG. 1.

FIG. 3 is a front left elevated perspective view thereof.

FIG. 4 is a rear view thereof.

FIG. 5 is a rear right perspective view thereof.

FIG. 6 is a rear right elevated perspective view thereof.

FIG. 7 is a right side view thereof.

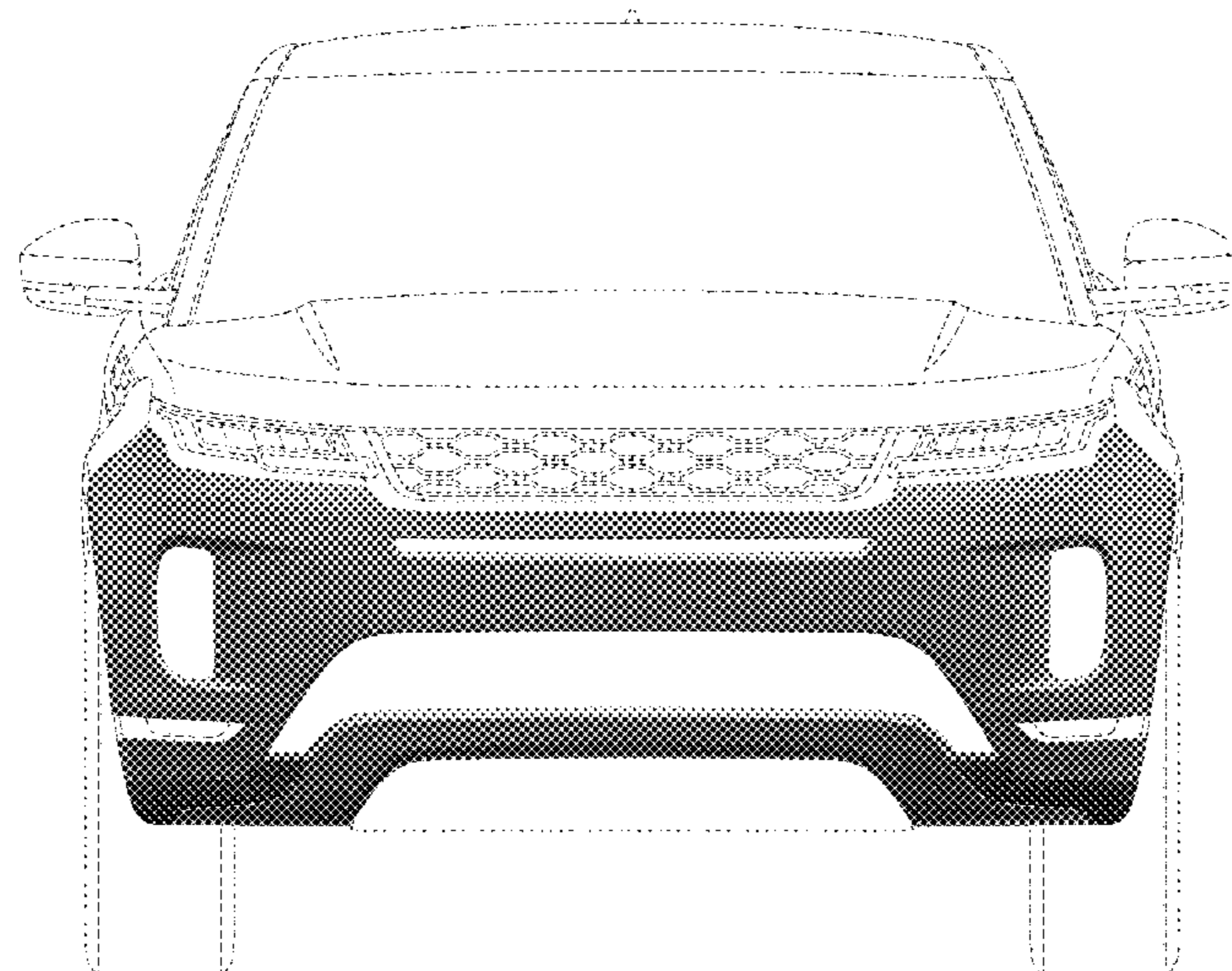
FIG. 8 is a left side view thereof.

FIG. 9 is a top view thereof.

FIG. 10 is a bottom view thereof; and,

FIG. 11 is another front view thereof, mounted on a vehicle to show environmental structure, the vehicle being unclaimed and shown in broken lines.

**1 Claim, 11 Drawing Sheets**



(56)

**References Cited**

U.S. PATENT DOCUMENTS

D784,230 S \* 4/2017 Woolley ..... D12/196  
 D784,231 S \* 4/2017 Henstridge ..... D12/196  
 D791,645 S \* 7/2017 Henstridge ..... D12/91  
 D797,017 S \* 9/2017 Henstridge ..... D12/164  
 D801,858 S \* 11/2017 Hagino ..... D12/91  
 D808,317 S \* 1/2018 Piscitelli ..... D12/190  
 D816,560 S \* 5/2018 Minamiyama ..... D12/169  
 D830,248 S \* 10/2018 Yeo ..... D12/169  
 D835,013 S \* 12/2018 Frascella ..... D12/169  
 D840,883 S \* 2/2019 Cartabiano ..... D12/169  
 D843,279 S \* 3/2019 Jevremovic ..... D12/169  
 D843,897 S \* 3/2019 Wheel ..... D12/169  
 D844,518 S \* 4/2019 Frascella ..... D12/196  
 D845,849 S \* 4/2019 Sarremejean ..... D12/169  
 D854,981 S \* 7/2019 Smock ..... D12/169  
 D855,512 S \* 8/2019 Frascella ..... D12/169  
 D860,074 S \* 9/2019 Beckles ..... D12/169  
 D860,894 S \* 9/2019 Grewer ..... D12/196  
 D864,803 S \* 10/2019 Sakai ..... D12/169  
 D864,804 S \* 10/2019 Grewer ..... D12/169

D867,212 S \* 11/2019 Badstuebner ..... D12/91  
 D867,250 S \* 11/2019 Goodrich ..... D12/190  
 D871,276 S \* 12/2019 Hjorten ..... D12/163  
 D874,991 S \* 2/2020 Park ..... D12/169  
 D875,625 S \* 2/2020 Wheel ..... D12/169  
 D876,689 S \* 2/2020 Thomas ..... D26/28  
 D877,008 S \* 3/2020 Schell ..... D12/169  
 D878,257 S \* 3/2020 Iida ..... D12/169

OTHER PUBLICATIONS

2019 Range Rover Evoque review Remastered original Motoring Research <https://www.motoringresearch.com/car-reviews/2019-range-rover-evoque-review/> Posted Mar. 13, 2019 (Year: 2019).\*  
 Driving Report Range Rover Evoque Vision mobility <https://vision-mobility.de/news/fahrbericht-range-rover-evoque-edle-evoque-lution-4027.html> Posted May 14, 2019 (Year: 2019).\*  
 Range rover evoque <https://media.landrover.com/en-us/news/2018/11/world-premiere-introducing-new-range-rover-evoque-luxury-suv-city-and-beyond> Available Jun. 2019 (Year: 2019).\*

\* cited by examiner

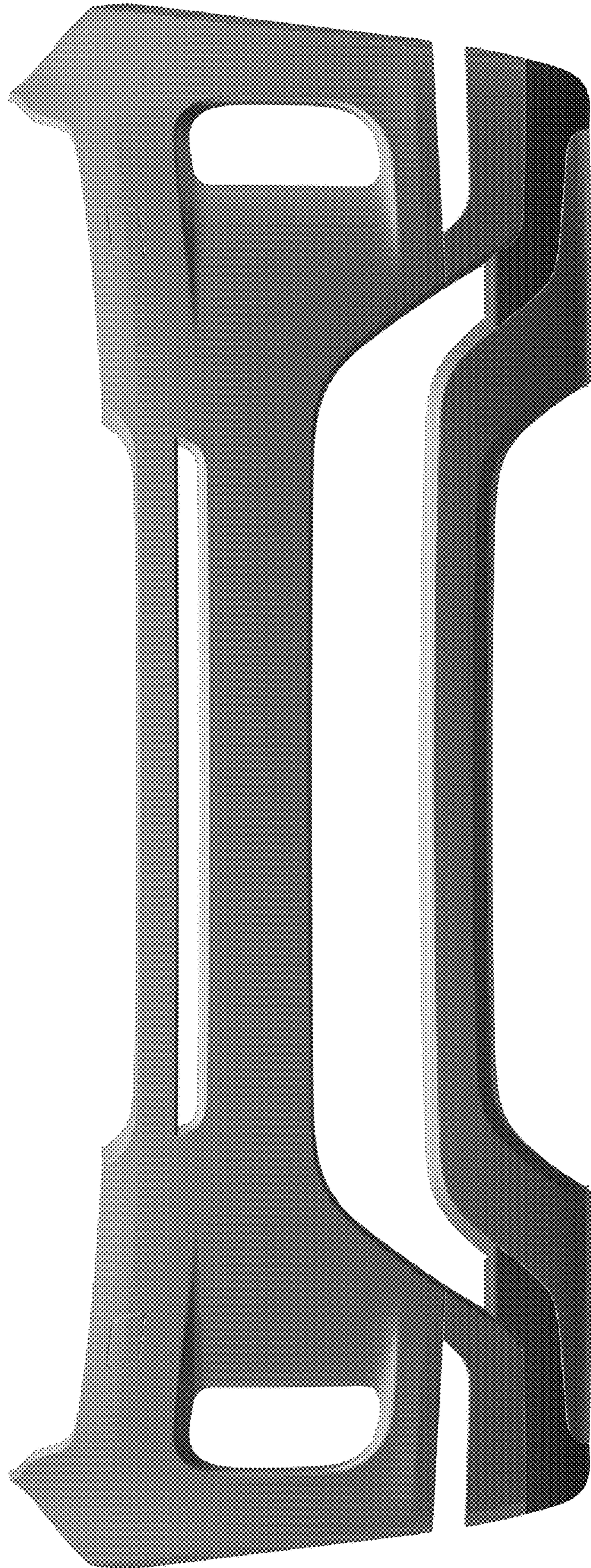


FIG. 1

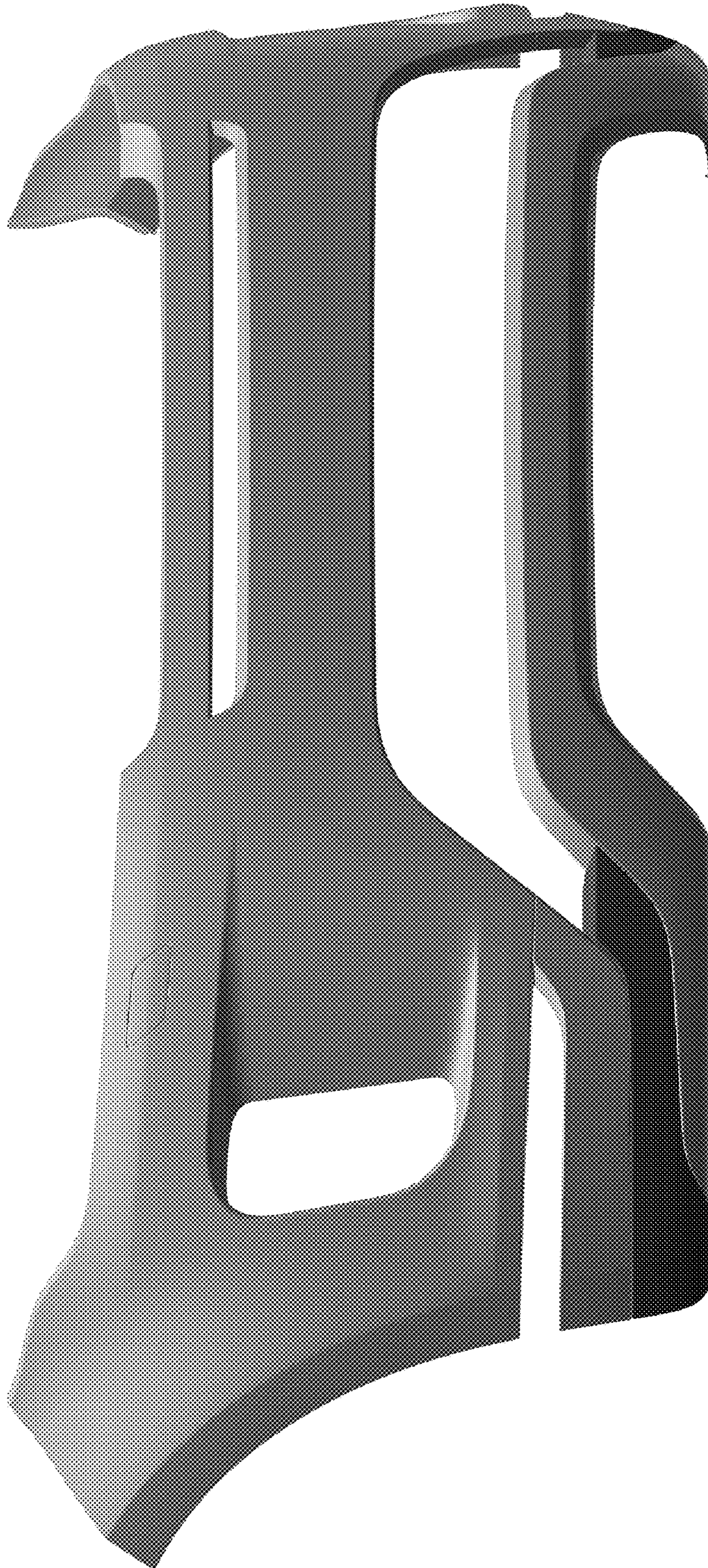


FIG. 2



FIG. 3

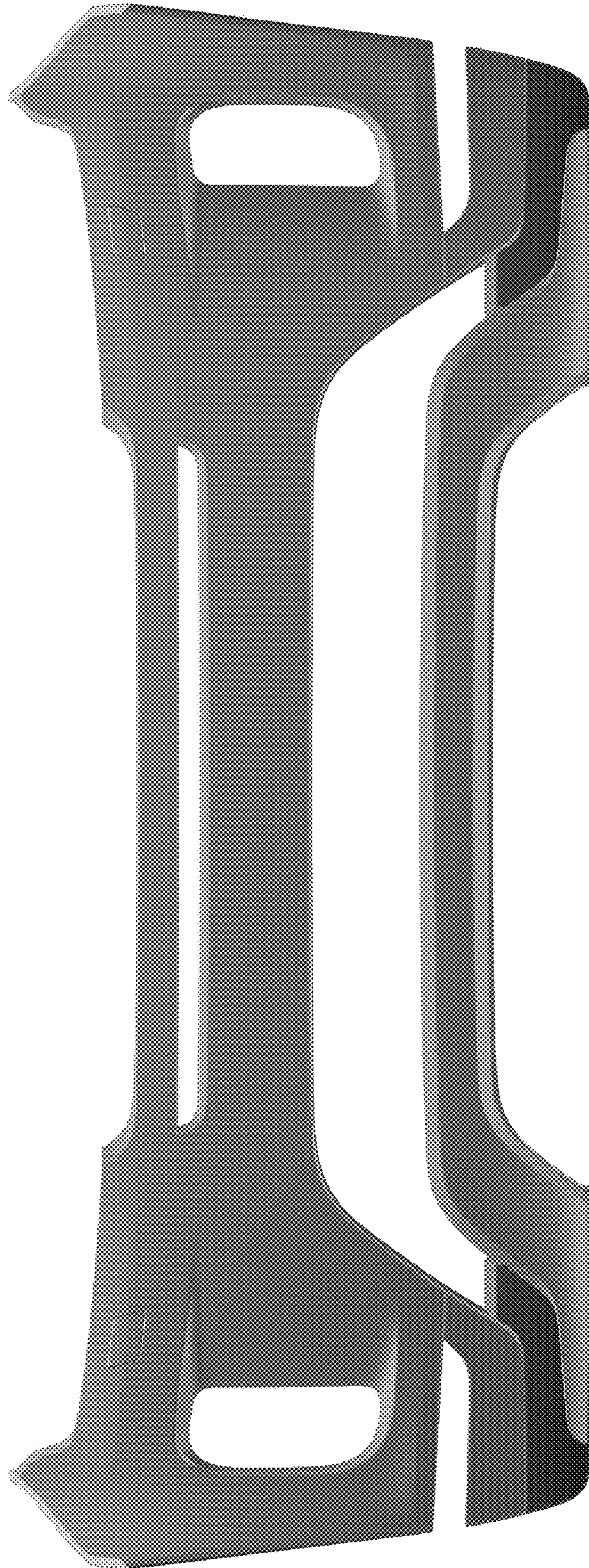


FIG. 4

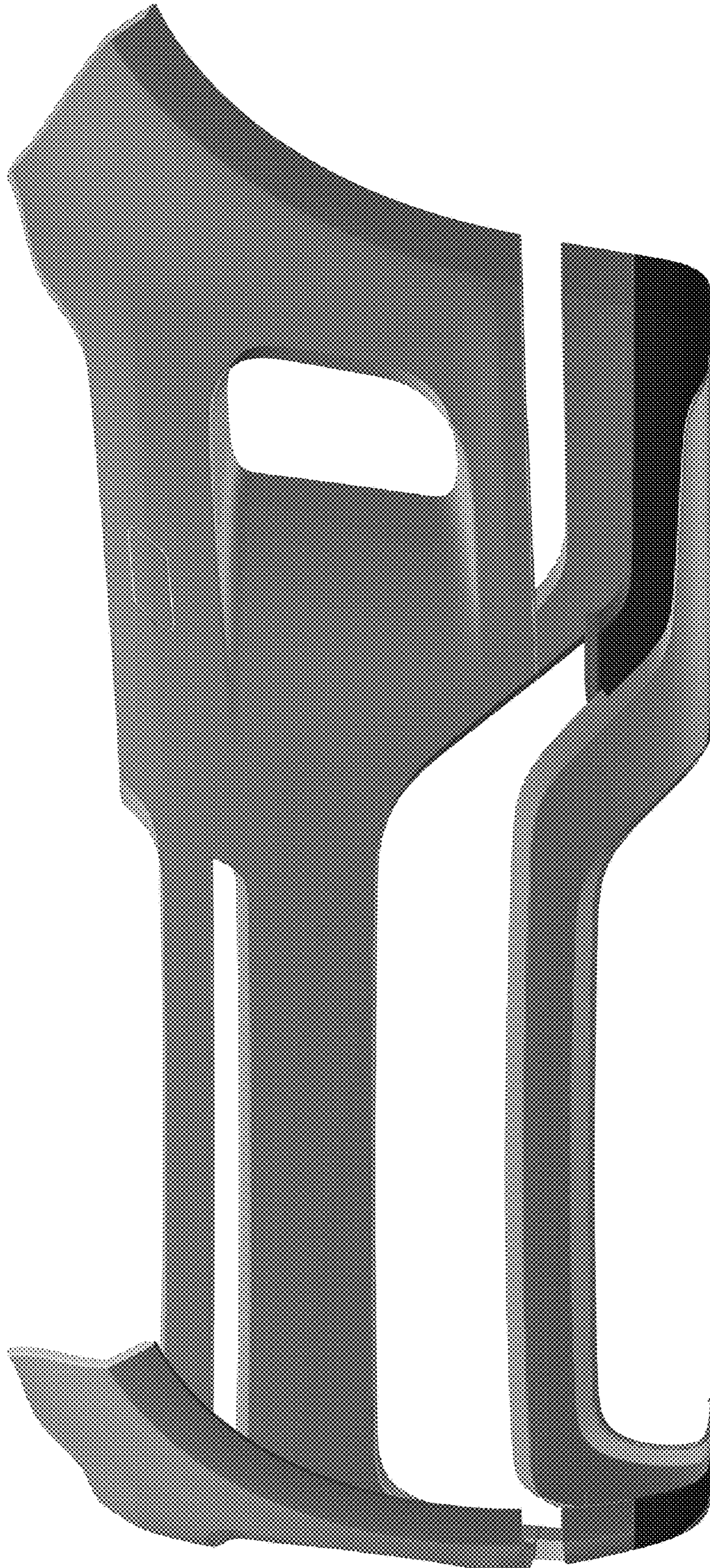


FIG. 5



FIG. 6



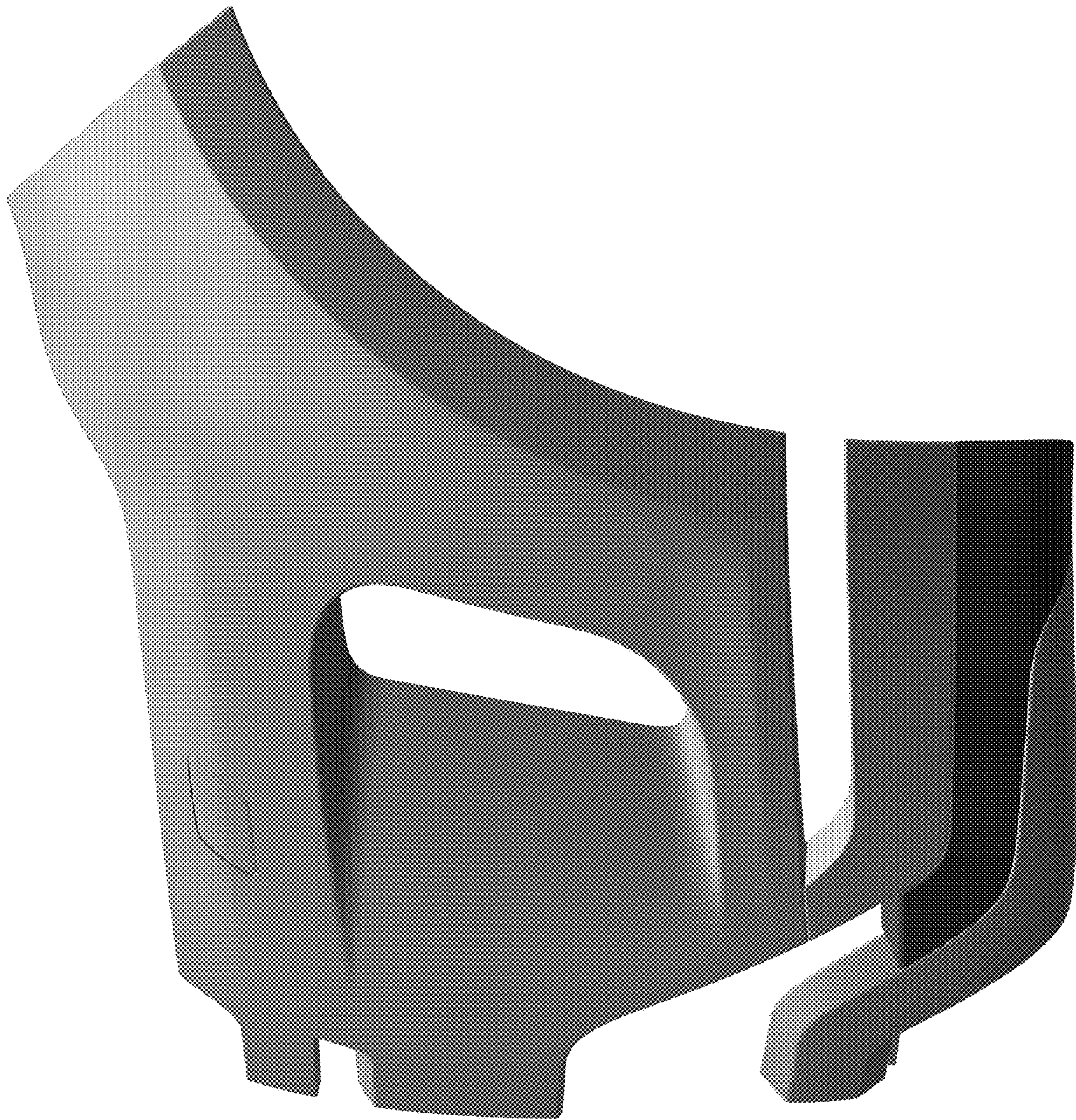


FIG. 7

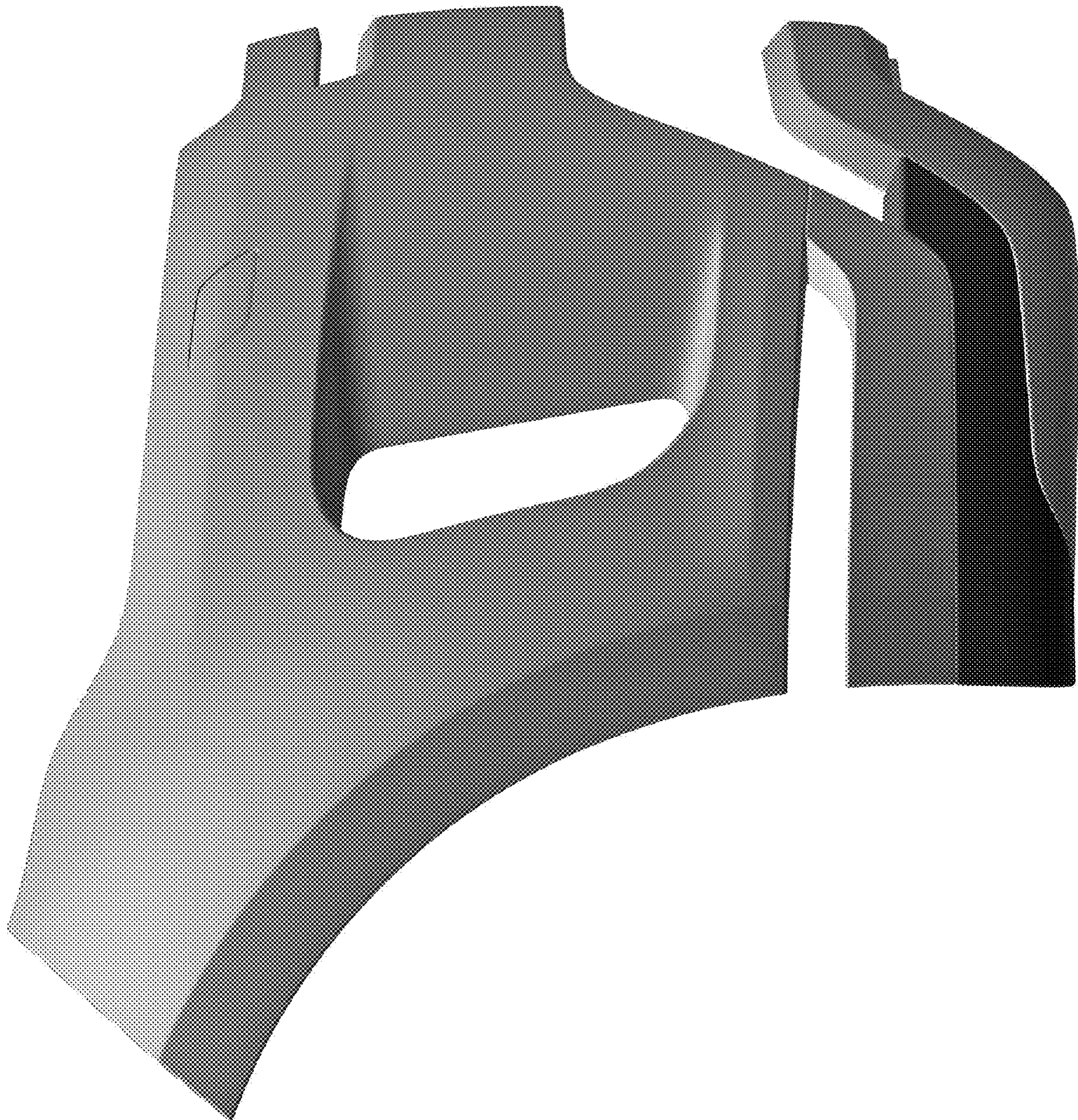


FIG. 8

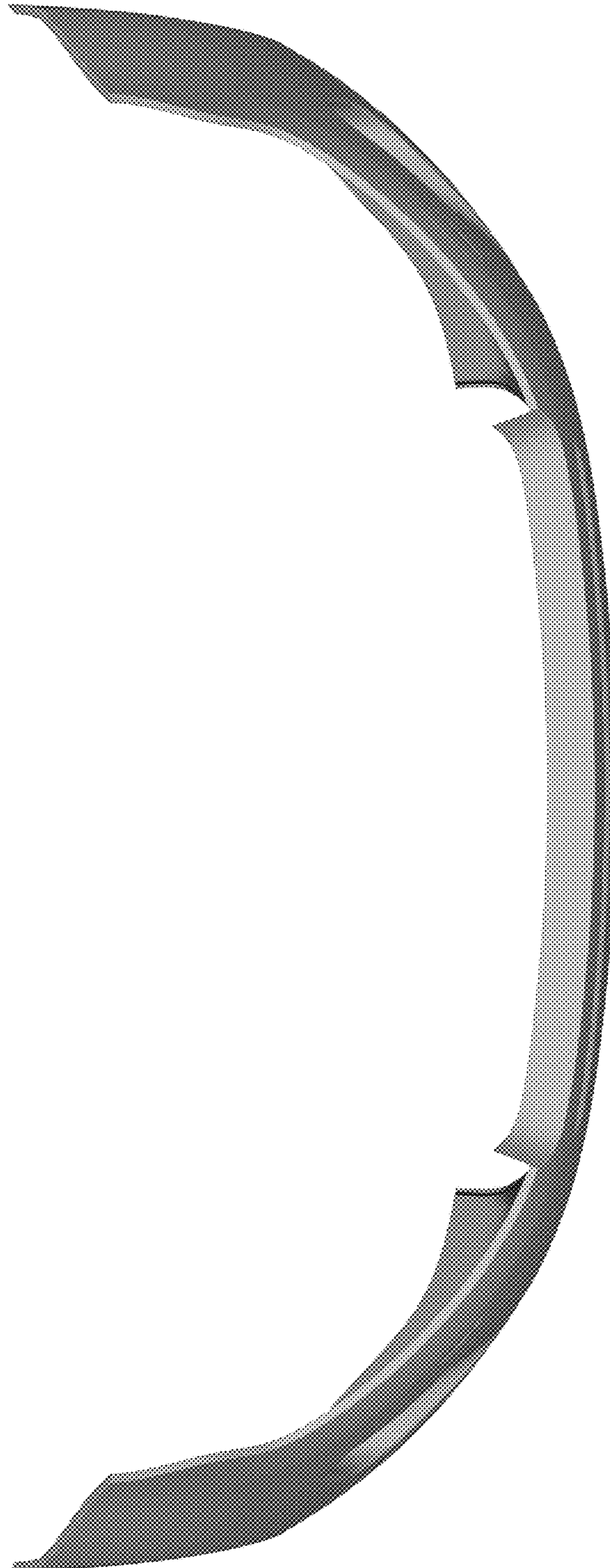


FIG. 9

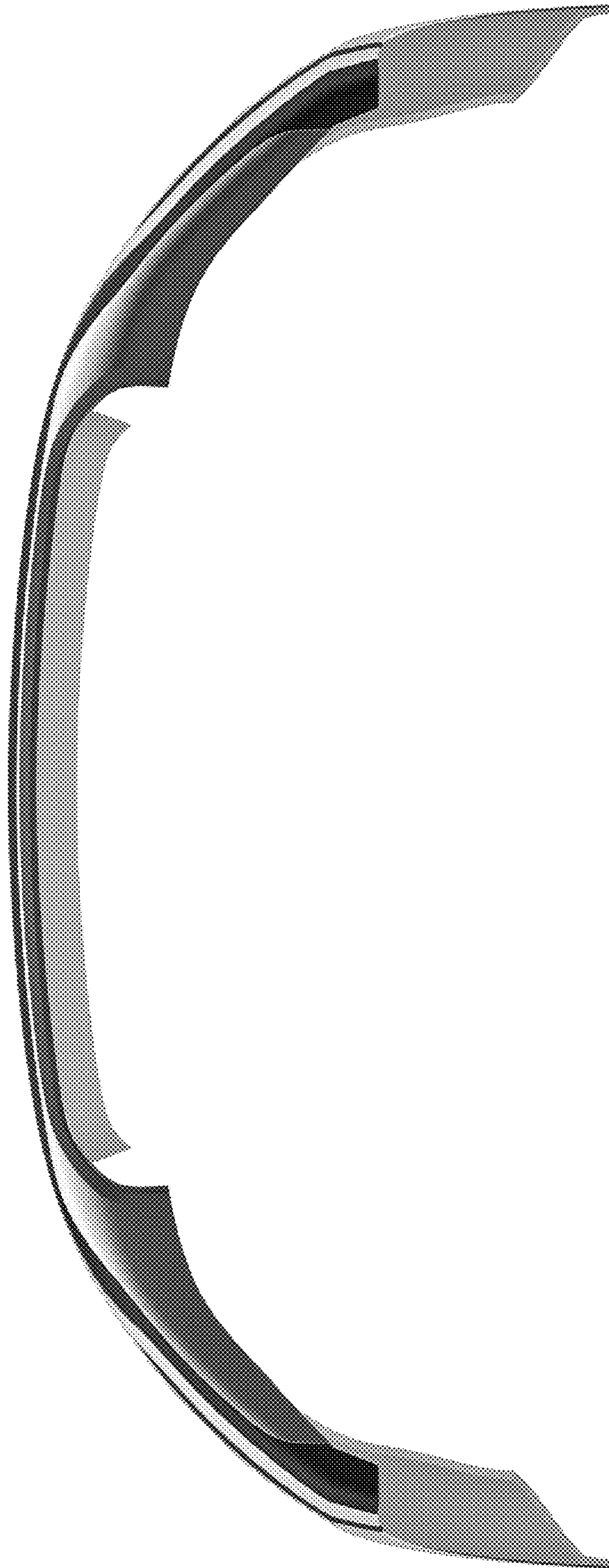


FIG. 10

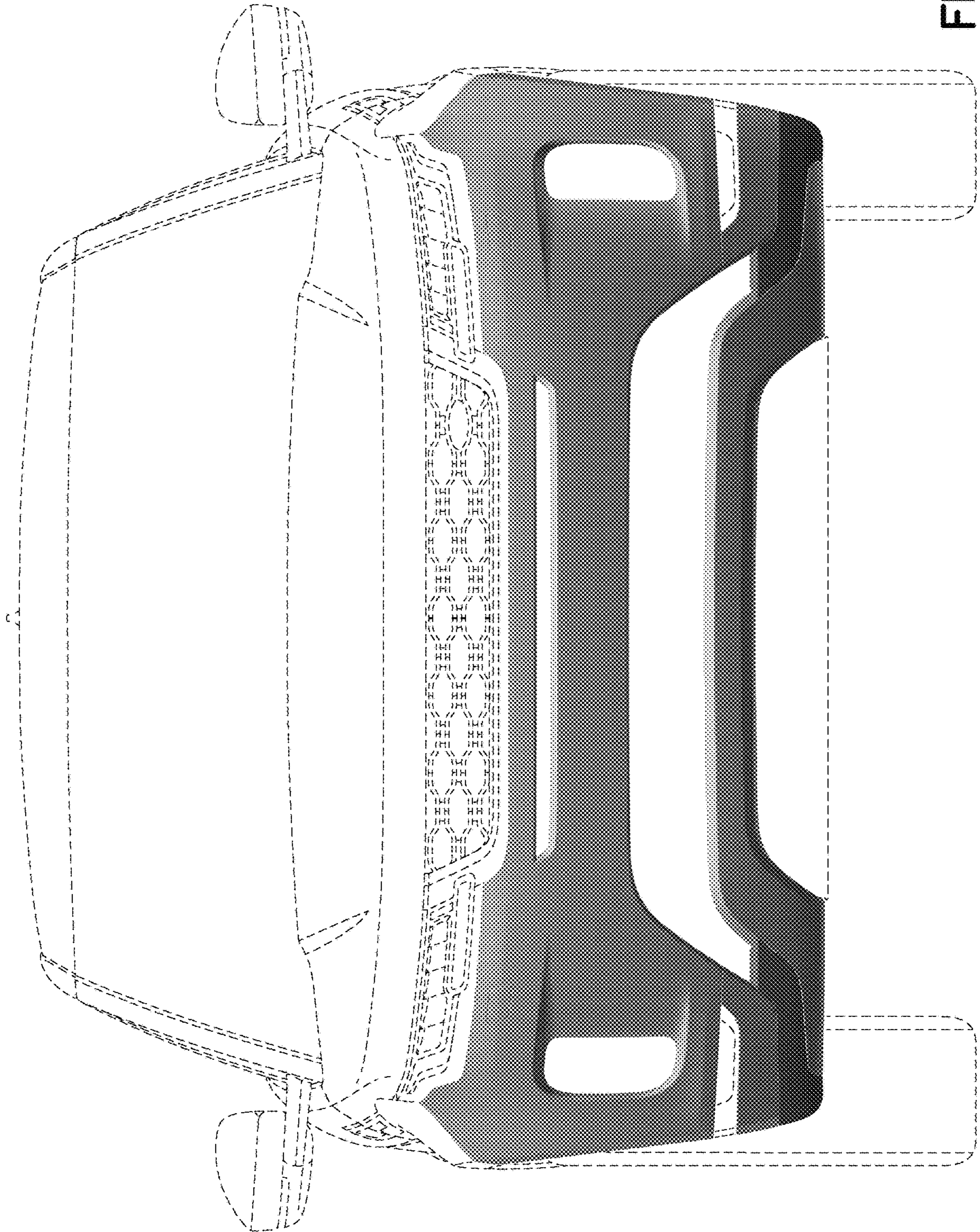


FIG. 11