



US00D904264S

(12) **United States Design Patent**
Ray et al.

(10) **Patent No.:** **US D904,264 S**

(45) **Date of Patent:** **** Dec. 8, 2020**

(54) **VEHICLE DOOR HANDLE SURROUNDING**

(71) Applicant: **Jaguar Land Rover Limited**, Coventry (GB)

(72) Inventors: **Paul Ray**, Coventry (GB); **Pierre Webster**, Coventry (GB)

(73) Assignee: **Jaguar Land Rover Limited**, Coventry (GB)

(**) Term: **15 Years**

(21) Appl. No.: **29/673,760**

(22) Filed: **Dec. 18, 2018**

(30) **Foreign Application Priority Data**

Jun. 28, 2018 (EM) 005329224

(51) **LOC (12) Cl.** **12-16**

(52) **U.S. Cl.**
USPC **D12/195**

(58) **Field of Classification Search**
USPC D12/167, 169, 184, 190, 193, 195, 400,
D12/406, 412, 414

CPC B60R 13/02; B60R 13/0243; B60N 3/026;
B60J 5/04

See application file for complete search history.

(56) **References Cited**

U.S. PATENT DOCUMENTS

3,782,036 A * 1/1974 Clark B60J 5/0412
49/502
D435,820 S * 1/2001 Sekishiro D12/196
D676,366 S * 2/2013 Yamada D12/196
D706,190 S * 6/2014 Sakae D12/196
D766,792 S * 9/2016 Shimizu D12/195
D787,402 S * 5/2017 Luk D12/196
D829,146 S * 9/2018 Takagi D12/196
D834,480 S * 11/2018 Manzoni D12/195
D834,481 S * 11/2018 Lim D12/196

D836,516 S * 12/2018 Tomasson D12/196
D839,165 S * 1/2019 Buckingham D12/196
D839,166 S * 1/2019 Ojea D12/196
D839,167 S * 1/2019 Seo D12/196
D840,888 S * 2/2019 Takagi D12/195

(Continued)

FOREIGN PATENT DOCUMENTS

CN 305221695 * 6/2019
JP D1408645 * 3/2011

OTHER PUBLICATIONS

2019 Range Rover Evoque driving.co.uk <https://www.driving.co.uk/news/new-cars/2019-range-rover-evoque-prices-release-date-images-details/> Posted Nov. 22, 2018 (Year: 2018).*

(Continued)

Primary Examiner — Leanne Was-Englehart
(74) *Attorney, Agent, or Firm* — Wood Herron & Evans LLP

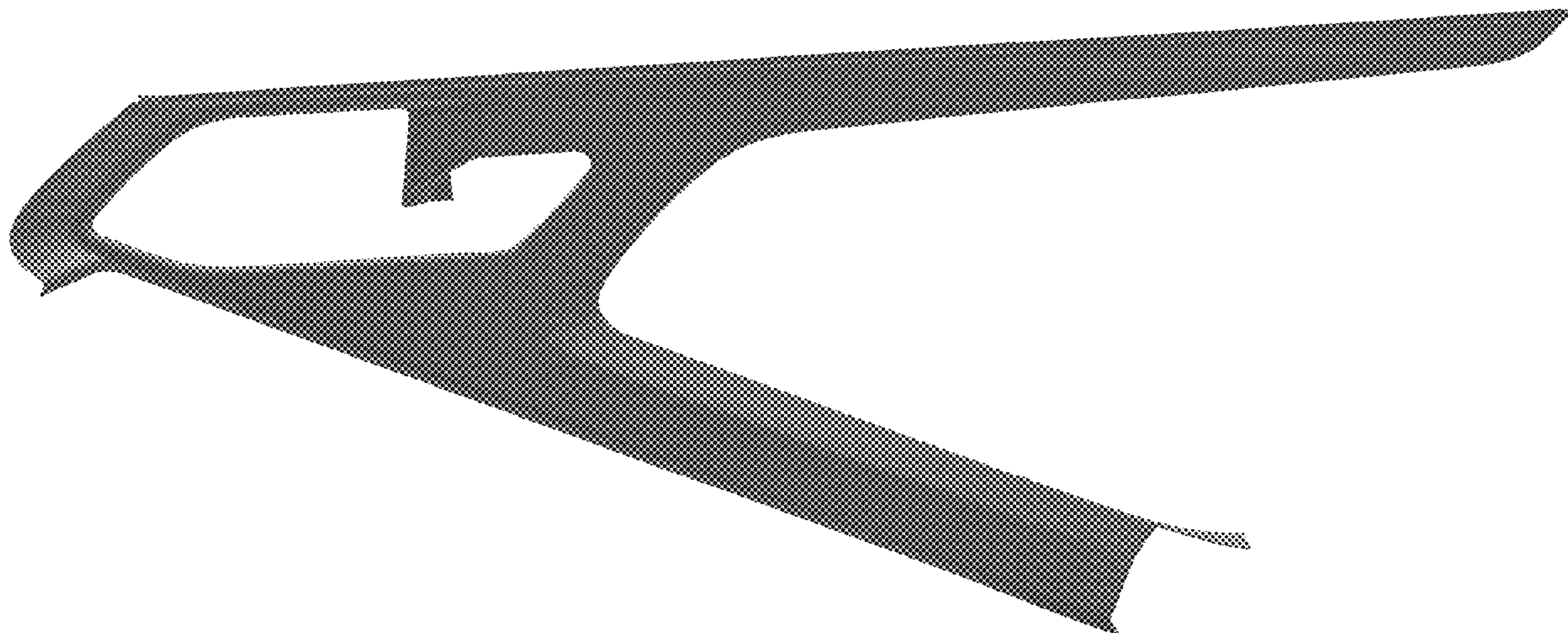
(57) **CLAIM**

The ornamental design for a vehicle door handle surrounding, as shown and described.

DESCRIPTION

FIG. 1 is a front right elevated perspective view of a vehicle door handle surrounding according to the present invention. FIG. 2 is a front right perspective view of the vehicle door handle surrounding shown in FIG. 1. FIG. 3 is a rear left elevated perspective view thereof. FIG. 4 is a rear left perspective view thereof. FIG. 5 is a front view thereof. FIG. 6 is a rear view thereof. FIG. 7 is a left side view thereof. FIG. 8 is a right side view thereof. FIG. 9 is a top view thereof; and, FIG. 10 is a bottom view thereof.

1 Claim, 8 Drawing Sheets



(56)

References Cited

U.S. PATENT DOCUMENTS

D848,334 S * 5/2019 Tomasson D12/196
D851,003 S * 6/2019 Tomasson D12/196
D853,923 S * 7/2019 Peat D12/195

OTHER PUBLICATIONS

2019 Range Rover Evoque review Remastered original Motoring
Research <https://www.motoringresearch.com/car-reviews/2019-range-rover-evoque-review/> Posted May 14, 2019 (Year: 2019).*

Driving Report Range Rover Evoque Vision mobility <https://vision-mobility.de/news/fahrbericht-range-rover-evoque-edle-evoque-lution-4027.html> Posted May 14, 2019 (Year: 2019).*

* cited by examiner

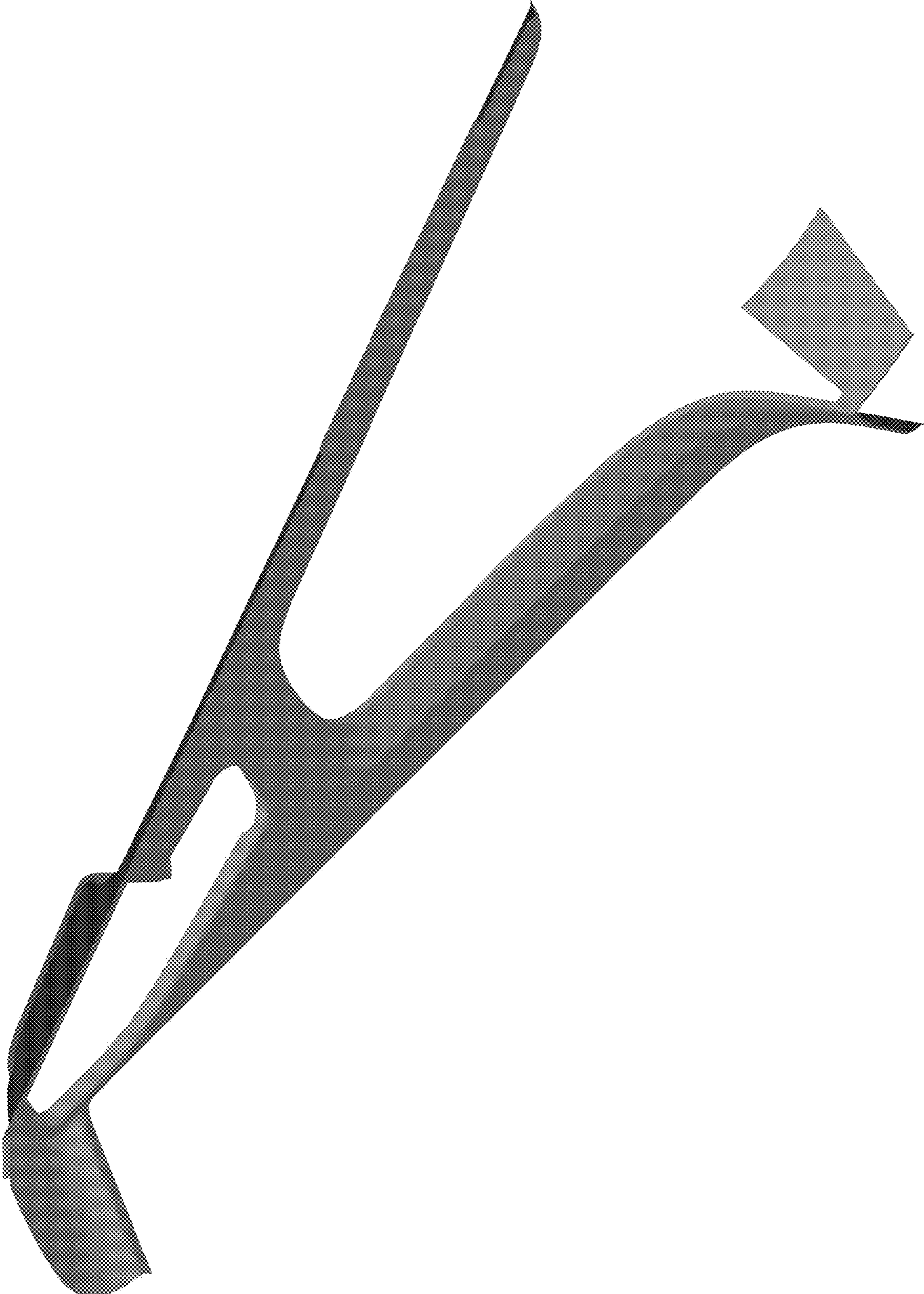


FIG. 1

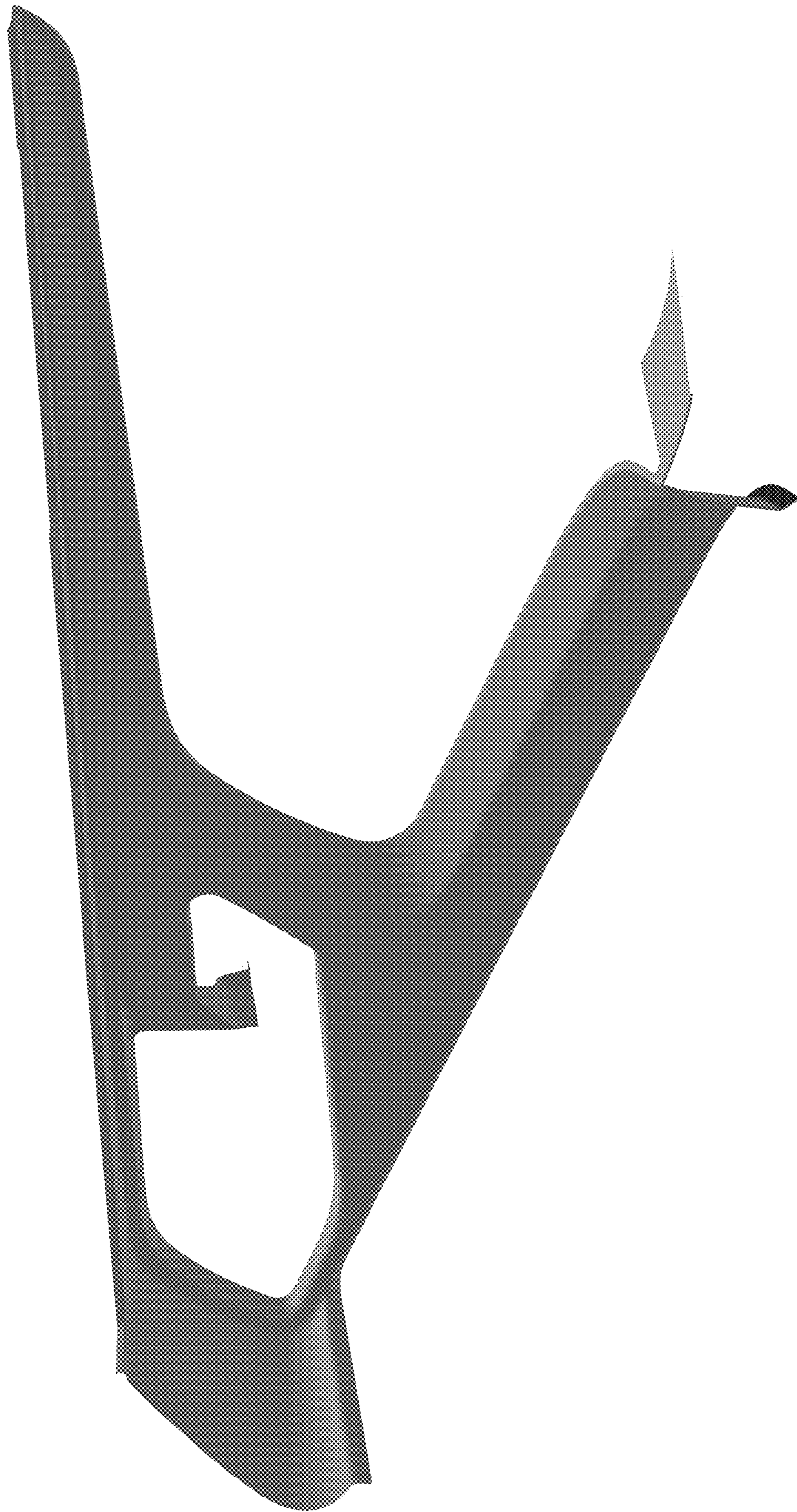


FIG. 2



FIG. 3

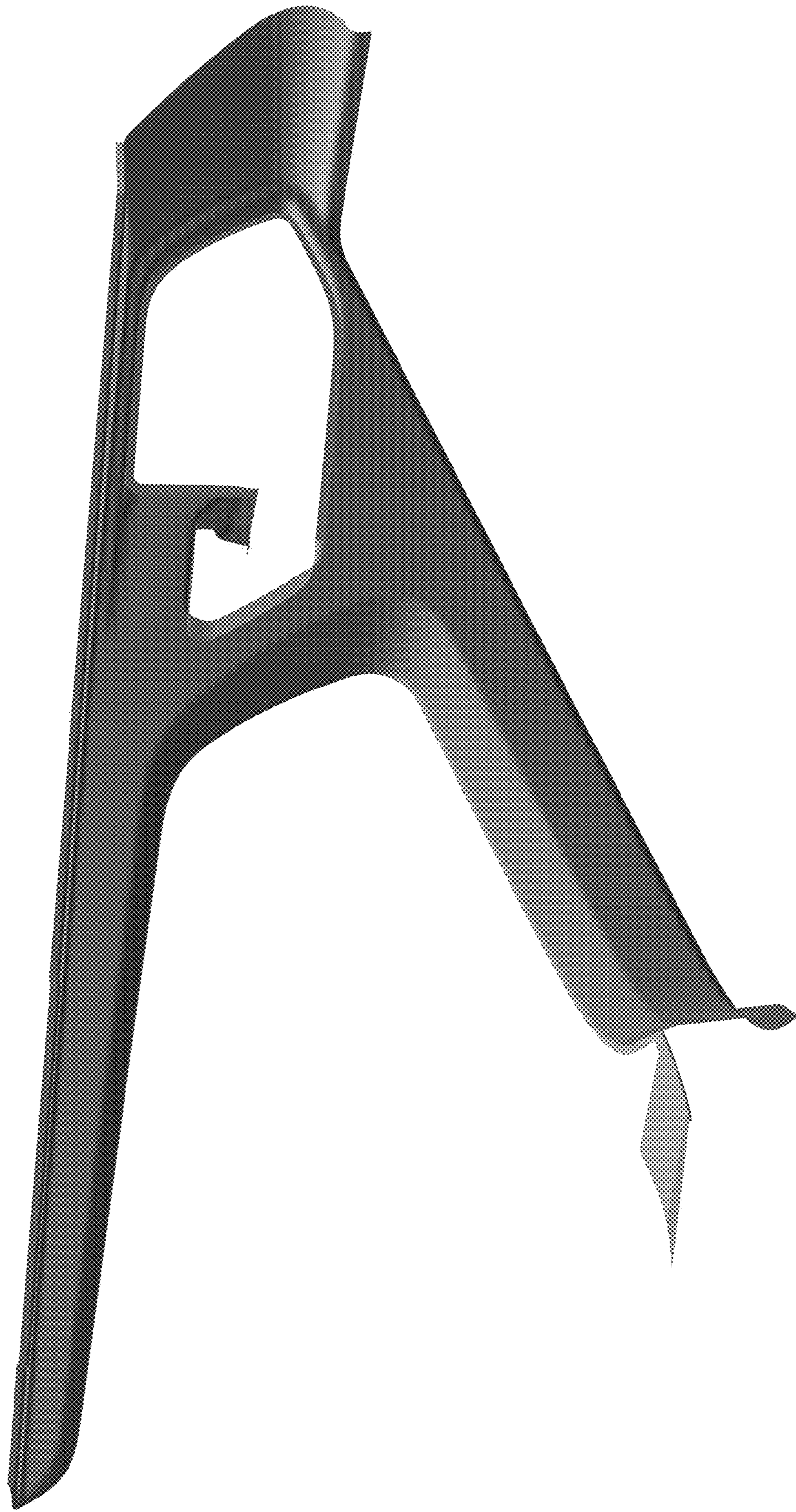


FIG. 4

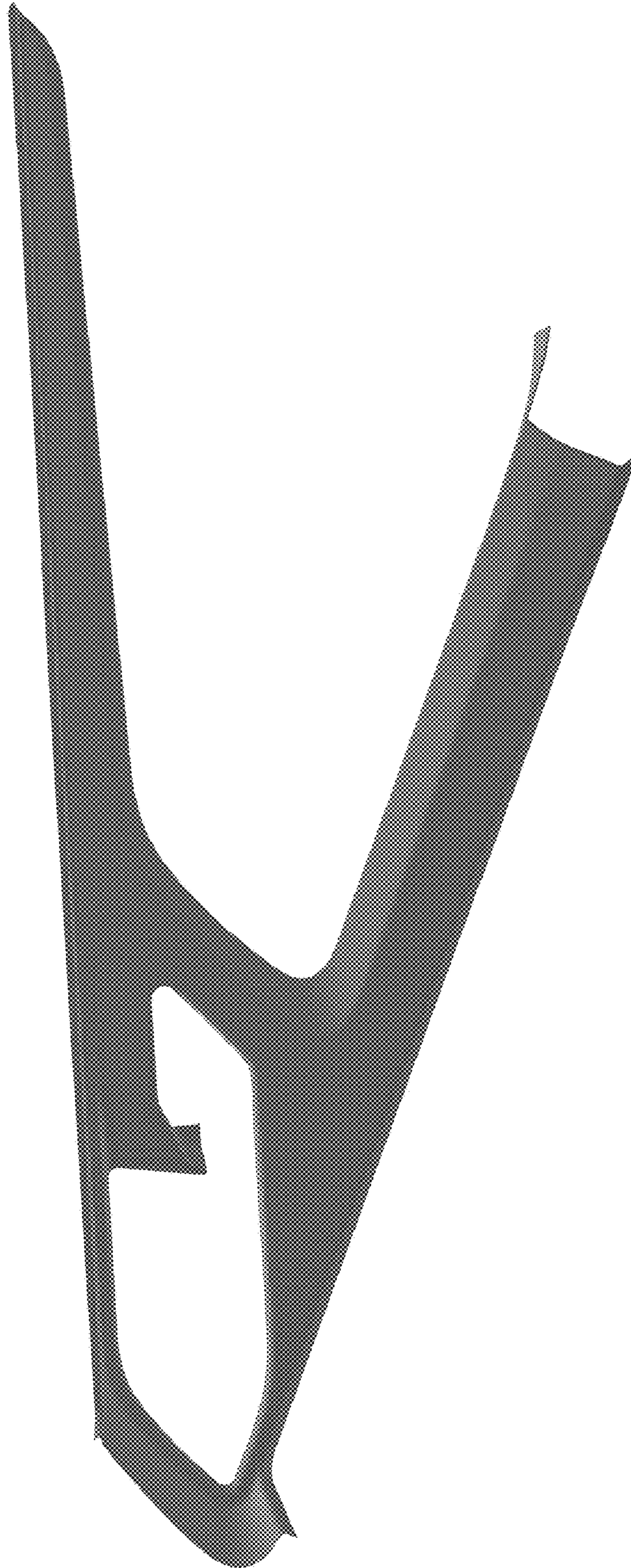


FIG. 5

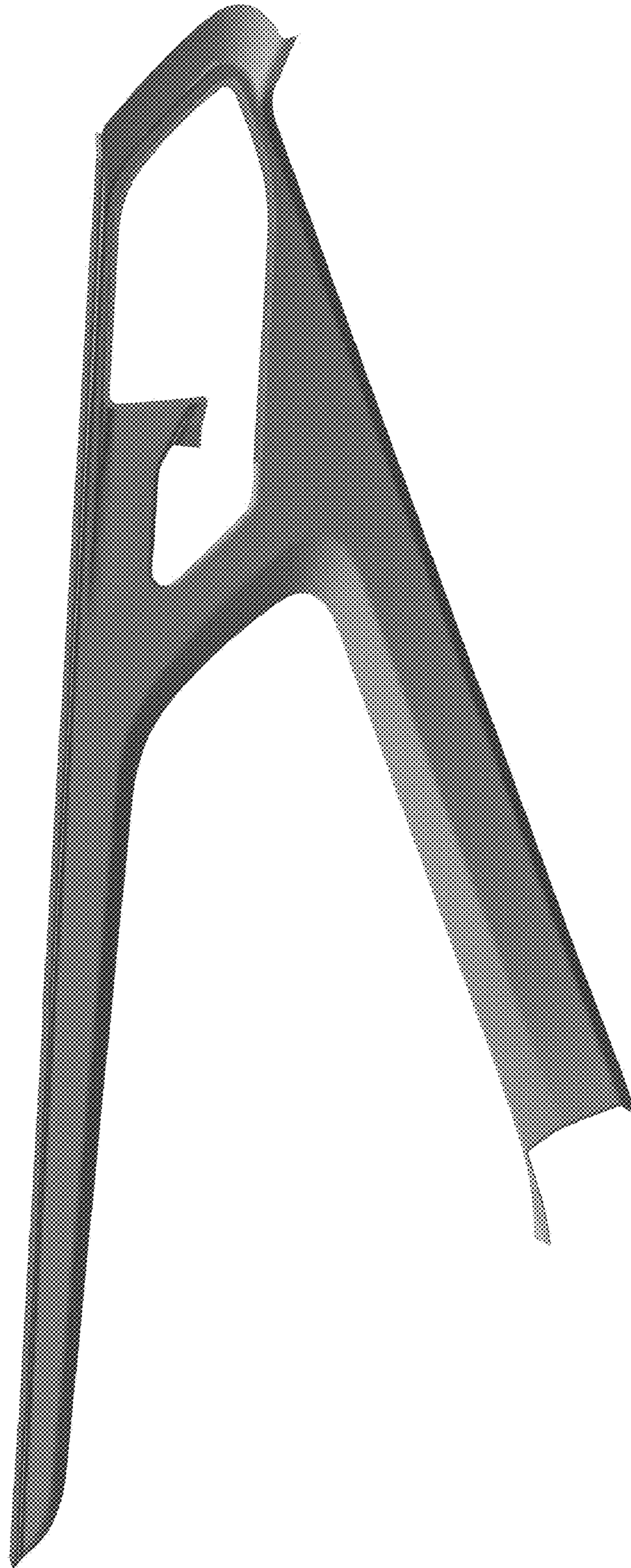


FIG. 6

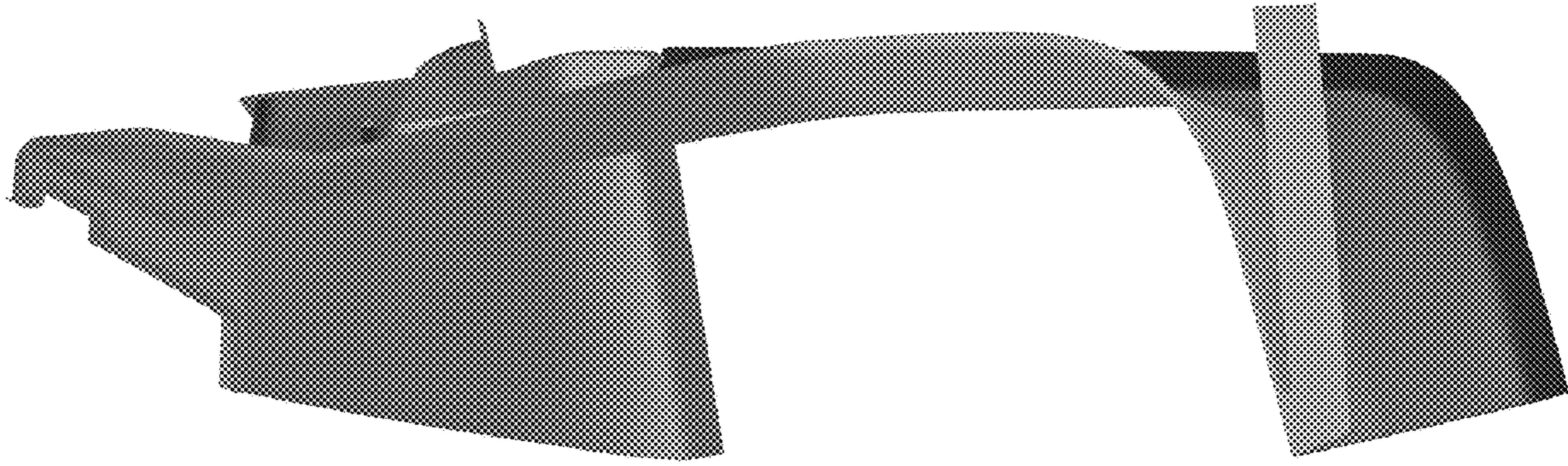


FIG. 8

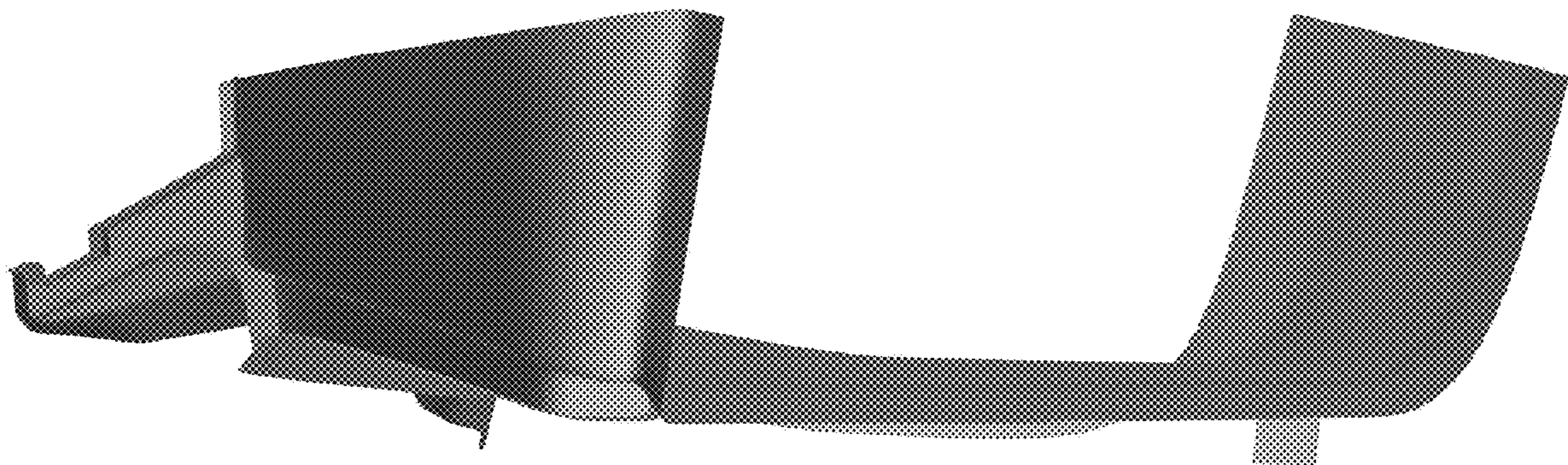


FIG. 7

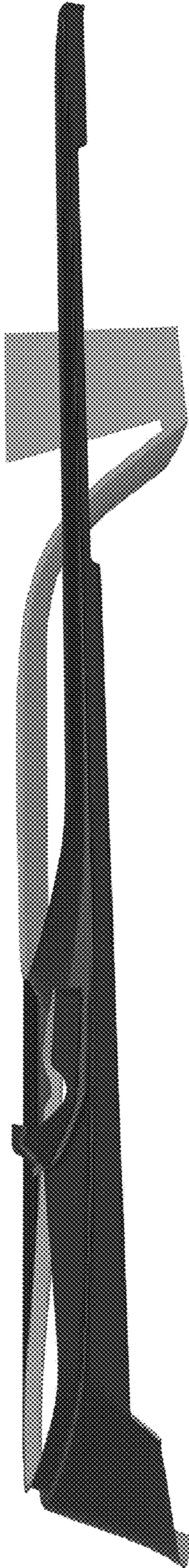


FIG. 9

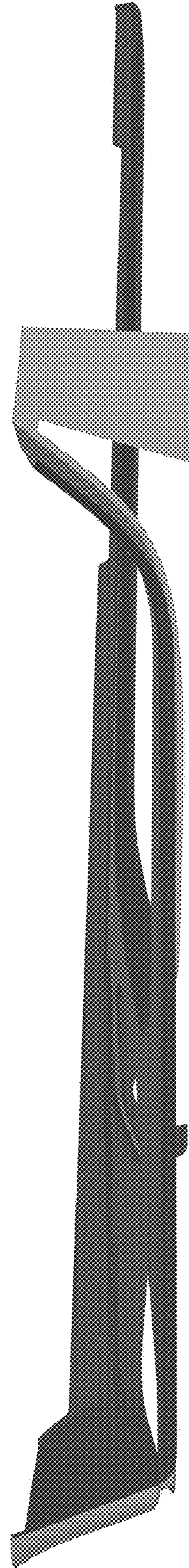


FIG. 10