



US00D904263S

(12) **United States Design Patent**
Jardim

(10) **Patent No.:** **US D904,263 S**

(45) **Date of Patent:** **** Dec. 8, 2020**

(54) **VEHICLE EXHAUST OUTLET CONNECTOR**

D737,745 S * 9/2015 Kamiura D12/194
D787,400 S * 5/2017 Wolff D12/194

(71) Applicant: **Marcos Graça Jardim**, Maringa (BR)

* cited by examiner

(72) Inventor: **Marcos Graça Jardim**, Maringa (BR)

Primary Examiner — Michael A. Pratt
(74) *Attorney, Agent, or Firm* — B. Aaron Schulman,
Esq.; Stites & Harbison, PLLC

(**) Term: **15 Years**

(21) Appl. No.: **29/693,511**

(57) **CLAIM**

The ornamental design for a vehicle exhaust outlet connector, as shown and described.

(22) Filed: **Jun. 3, 2019**

DESCRIPTION

(51) **LOC (12) Cl.** **12-16**

(52) **U.S. Cl.**
USPC **D12/194**

FIG. 1 is a perspective view showing the new design for the vehicle exhaust outlet connector;
FIG. 2 is a front view of the vehicle exhaust outlet connector in FIG. 1;
FIG. 3 is a rear view of the vehicle exhaust outlet connector in FIG. 1;
FIG. 4 is a right side view of the vehicle exhaust outlet connector in FIG. 1;
FIG. 5 is a left side view of the vehicle exhaust outlet connector in FIG. 1;
FIG. 6 is a top plan view of the vehicle exhaust outlet connector in FIG. 1; and,
FIG. 7 is a bottom plan view of the vehicle exhaust outlet connector in FIG. 1.

(58) **Field of Classification Search**

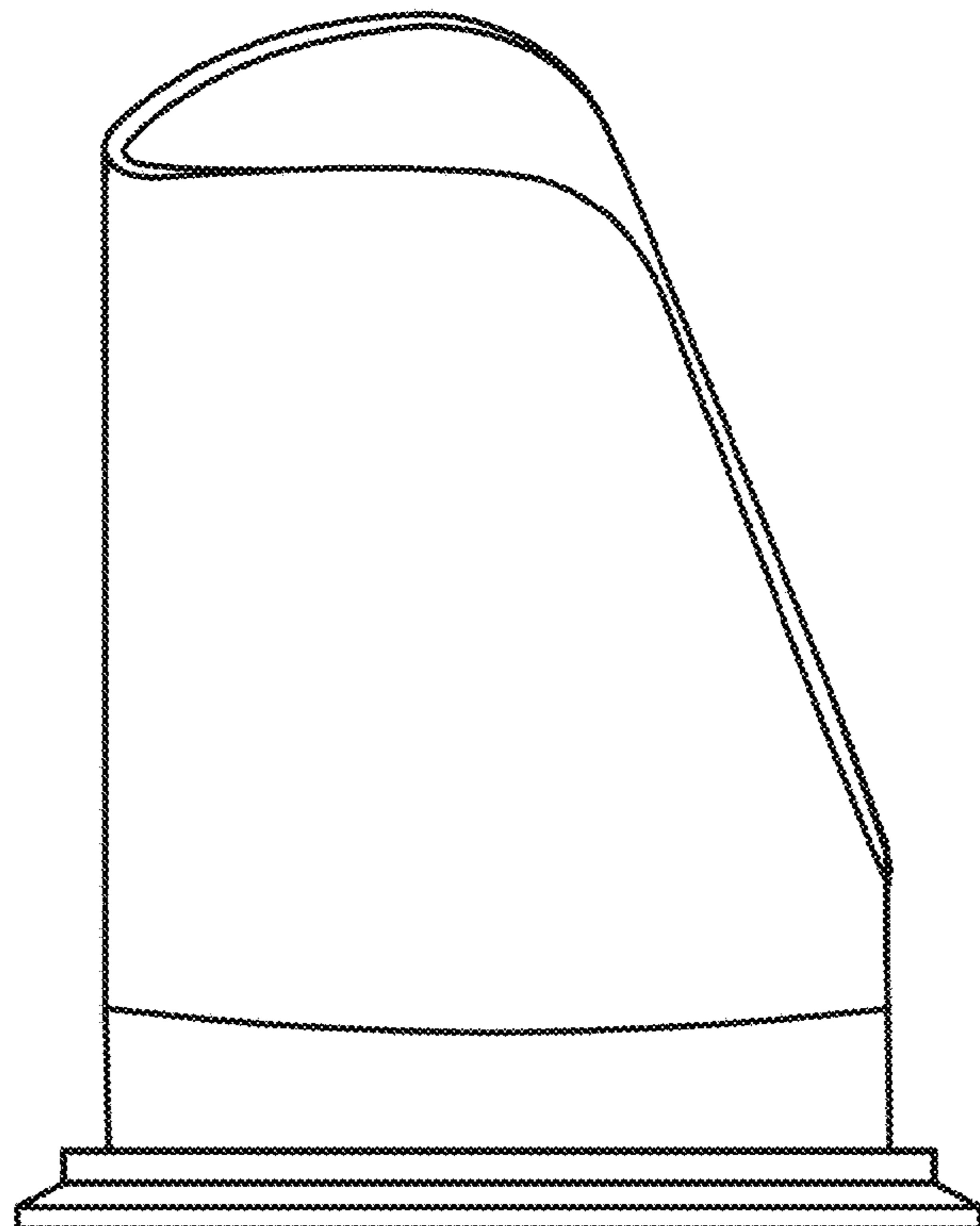
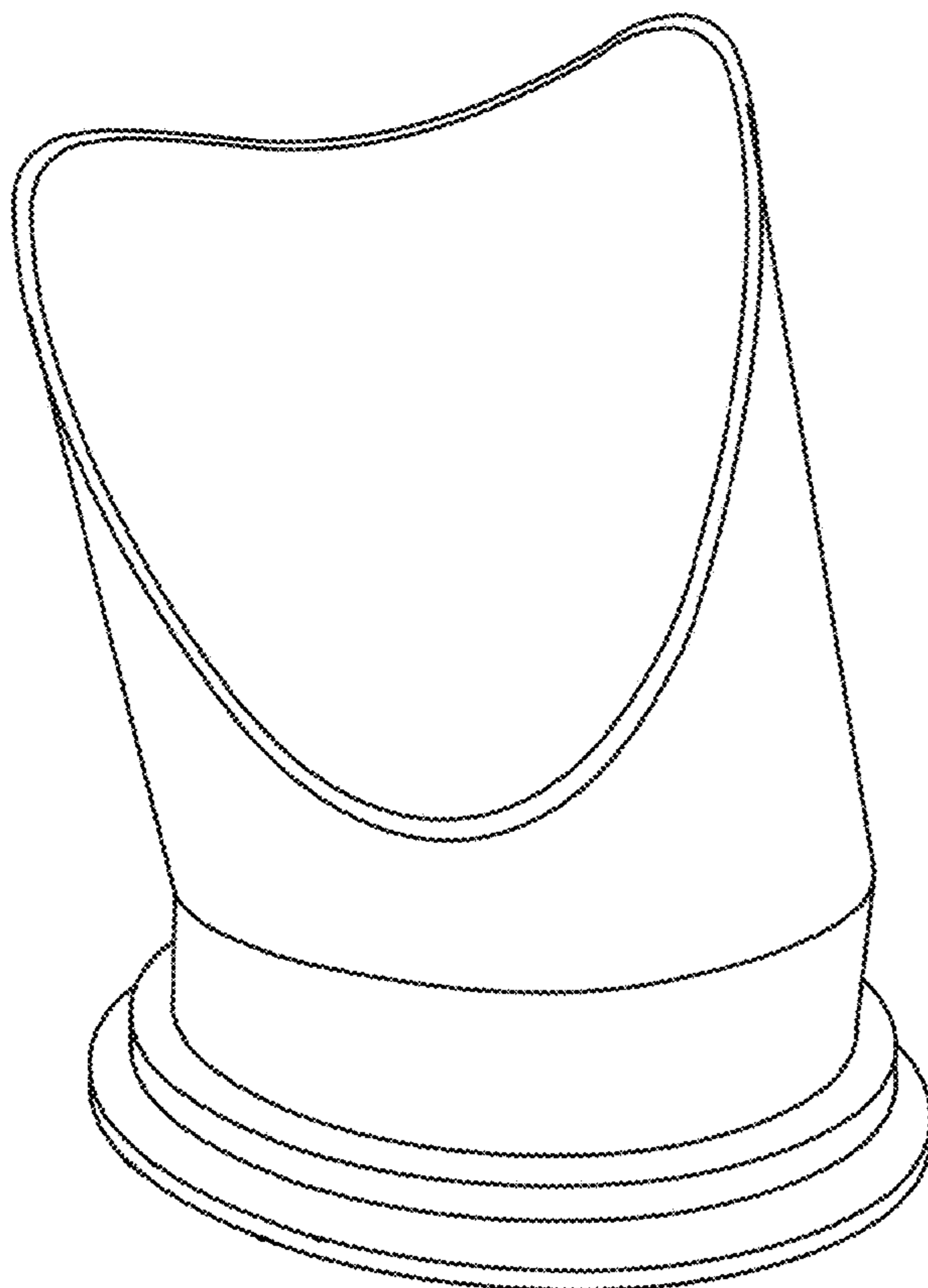
USPC D12/194; D15/5
CPC F01N 13/082; F01N 13/1805; F01N 13/20
See application file for complete search history.

(56) **References Cited**

U.S. PATENT DOCUMENTS

D160,534 S * 10/1950 Postelnek D12/194
D165,985 S * 2/1952 Koonter D12/194
D559,753 S * 1/2008 Pfeiffer D12/194

1 Claim, 4 Drawing Sheets



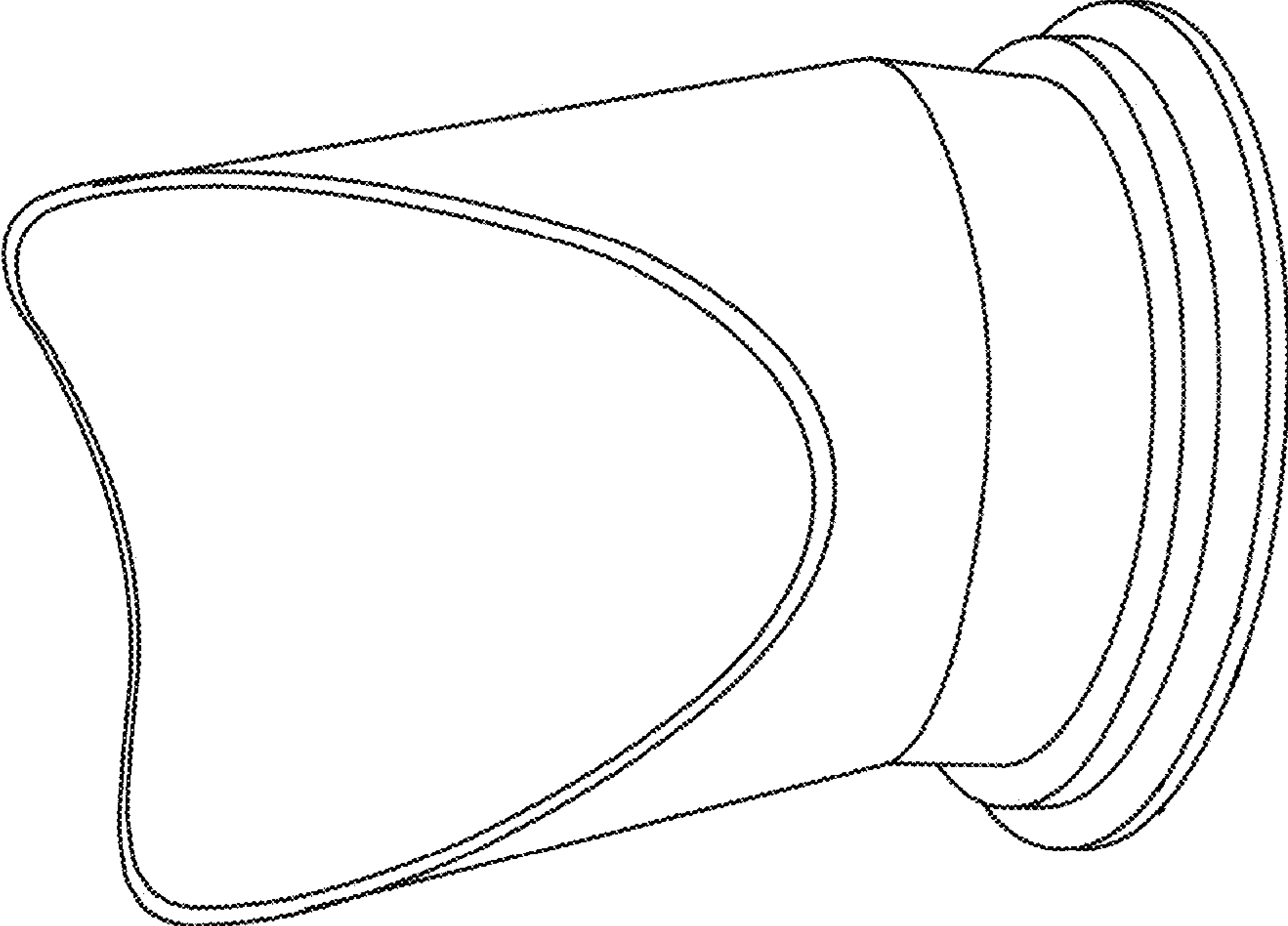


FIG. 1

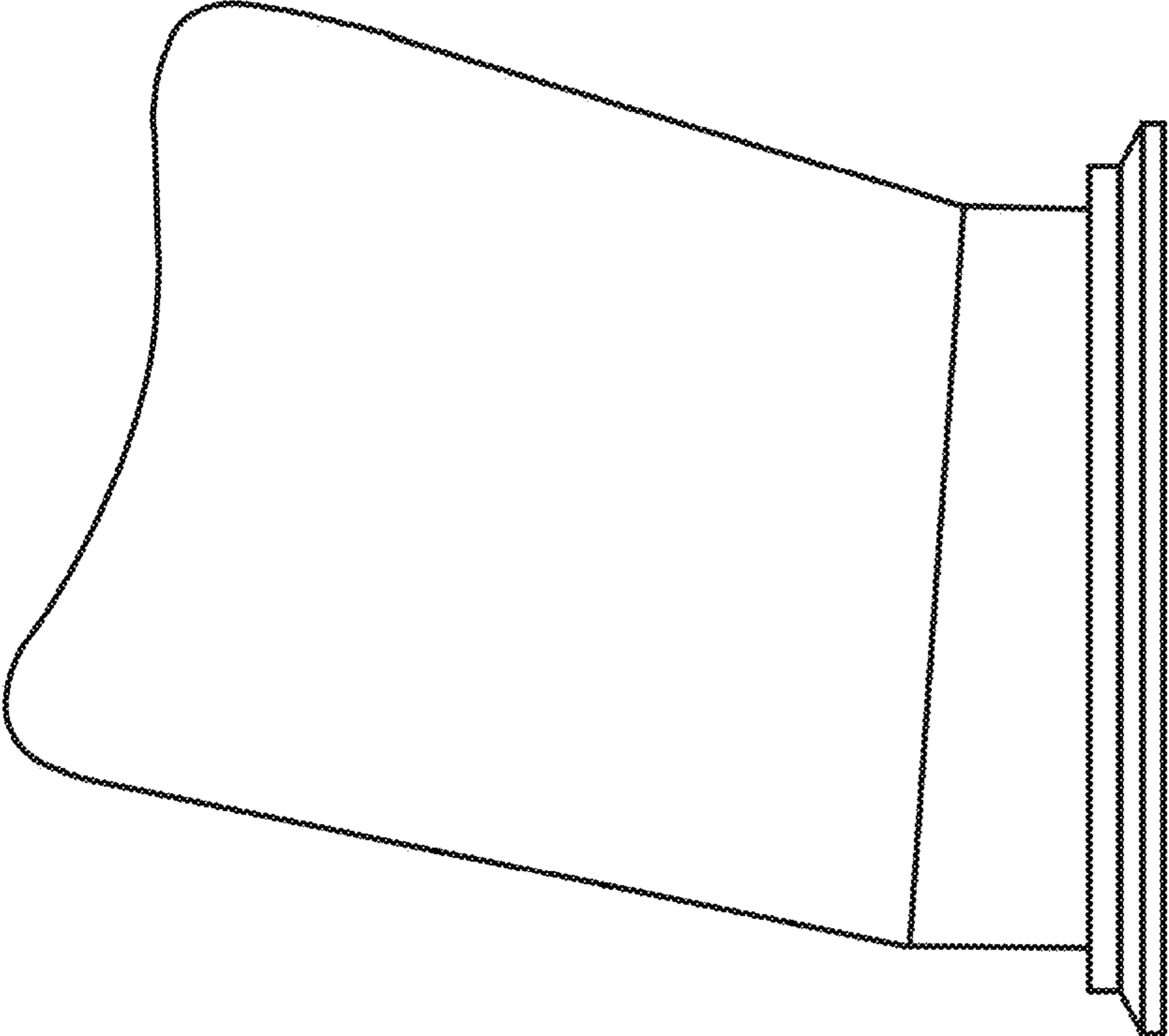


FIG. 3

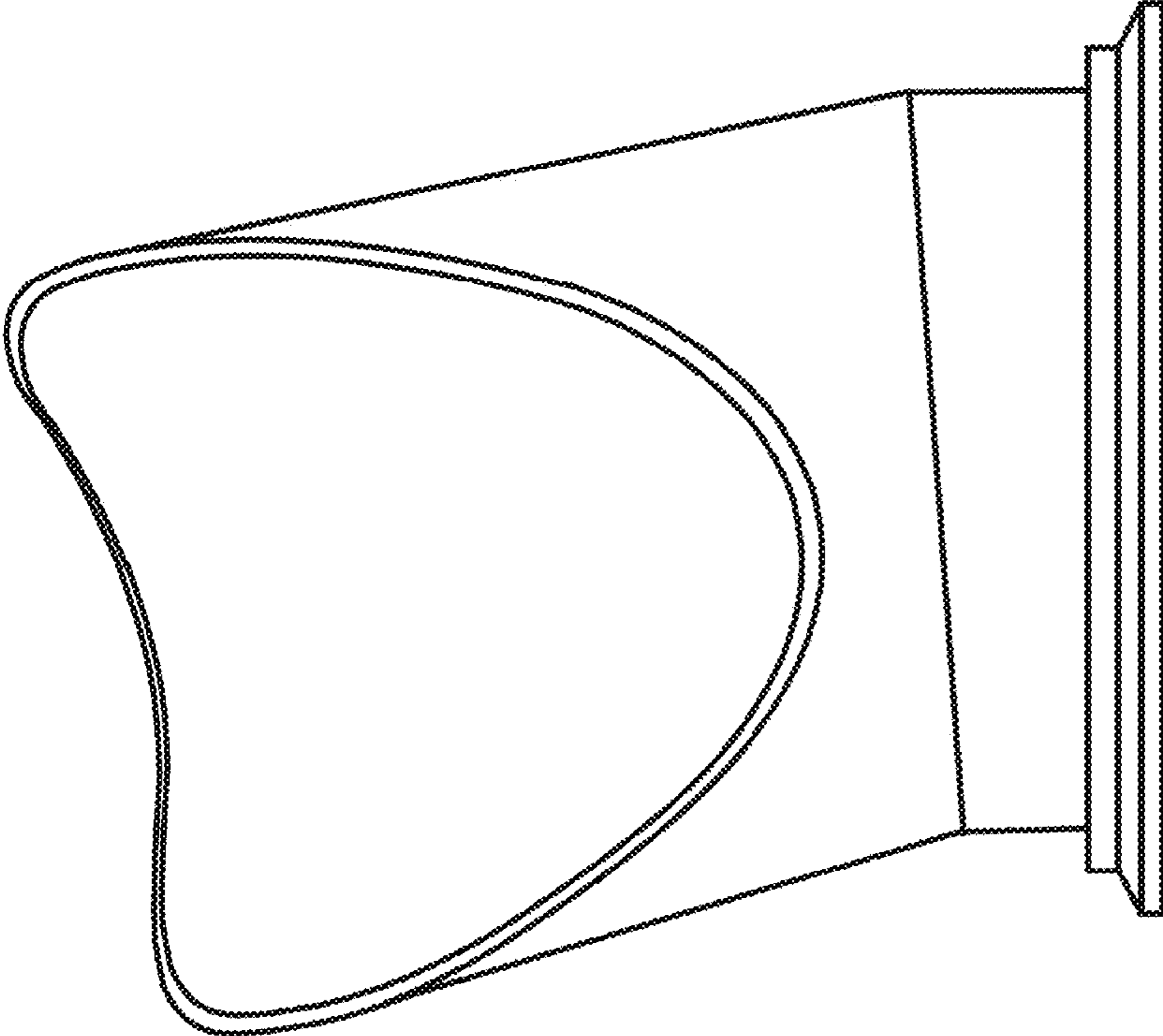


FIG. 2

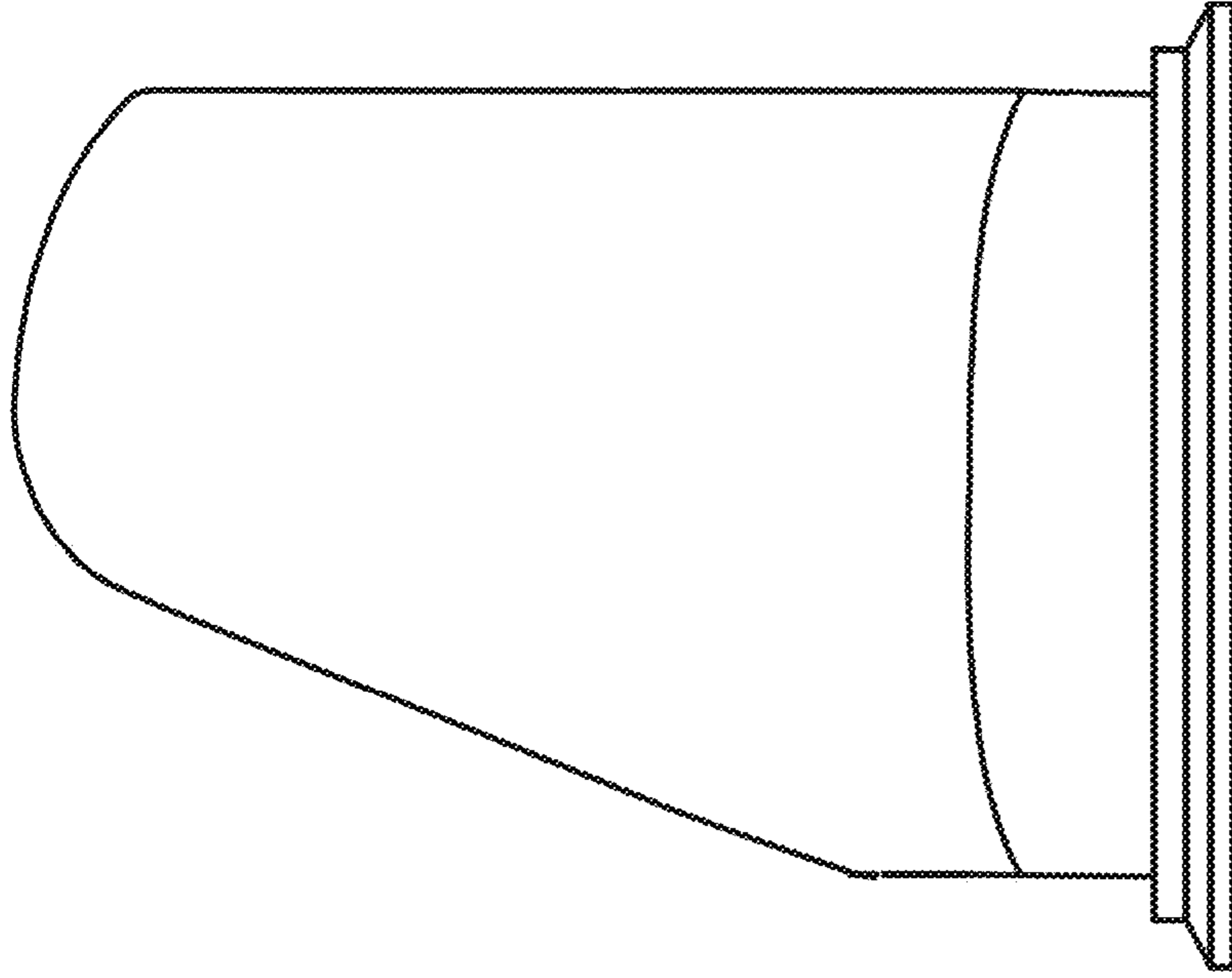


FIG. 5

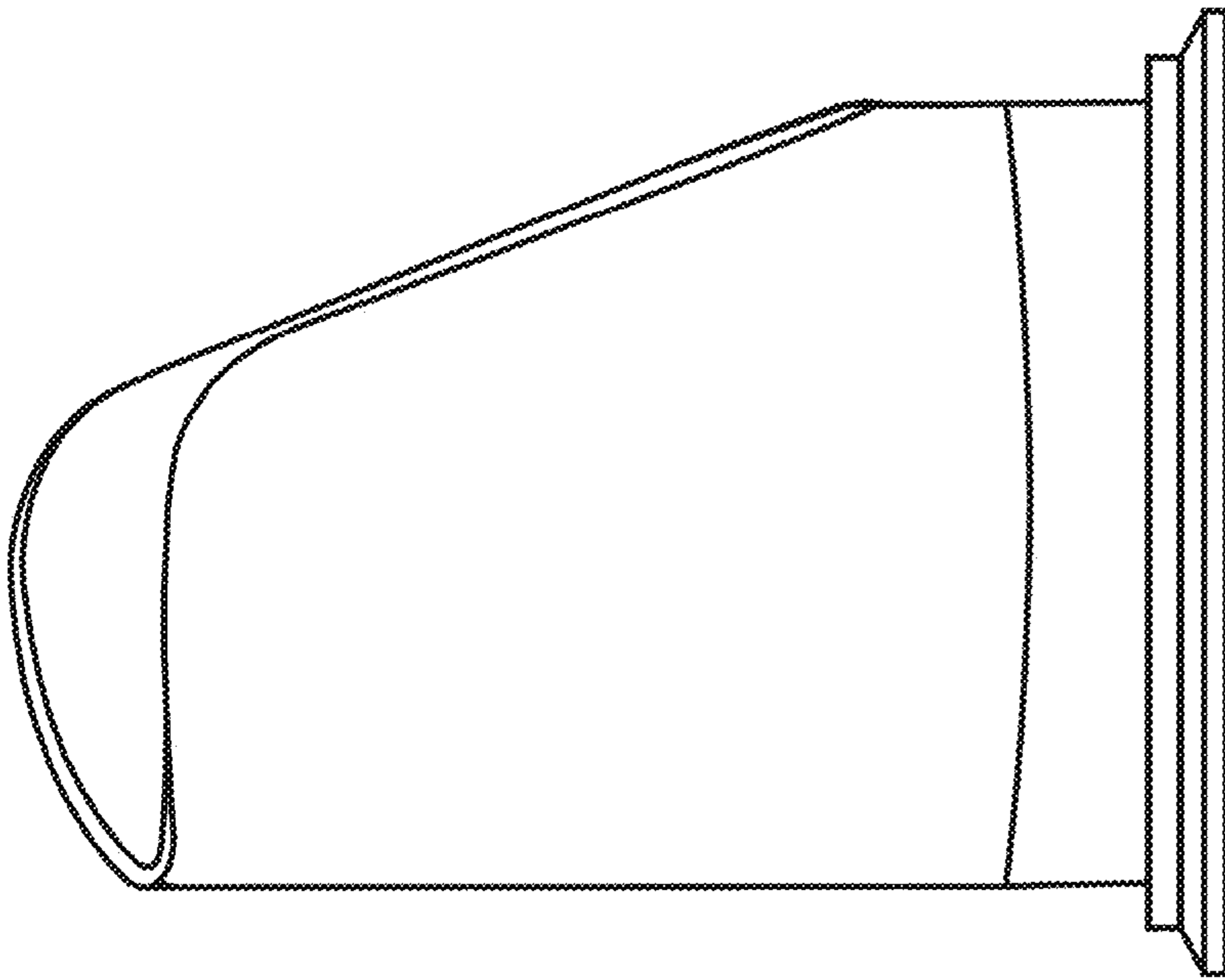


FIG. 4

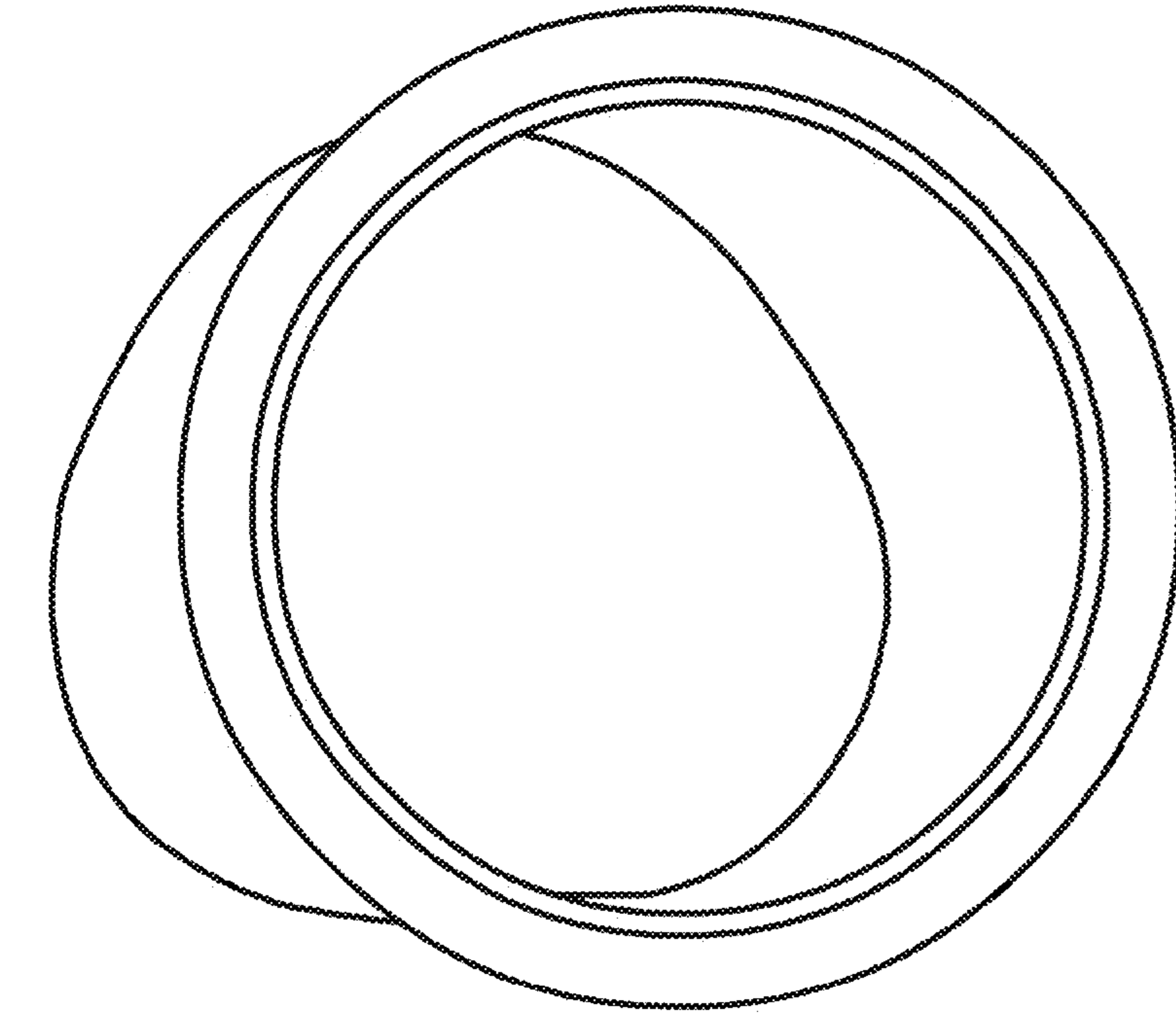


FIG. 6

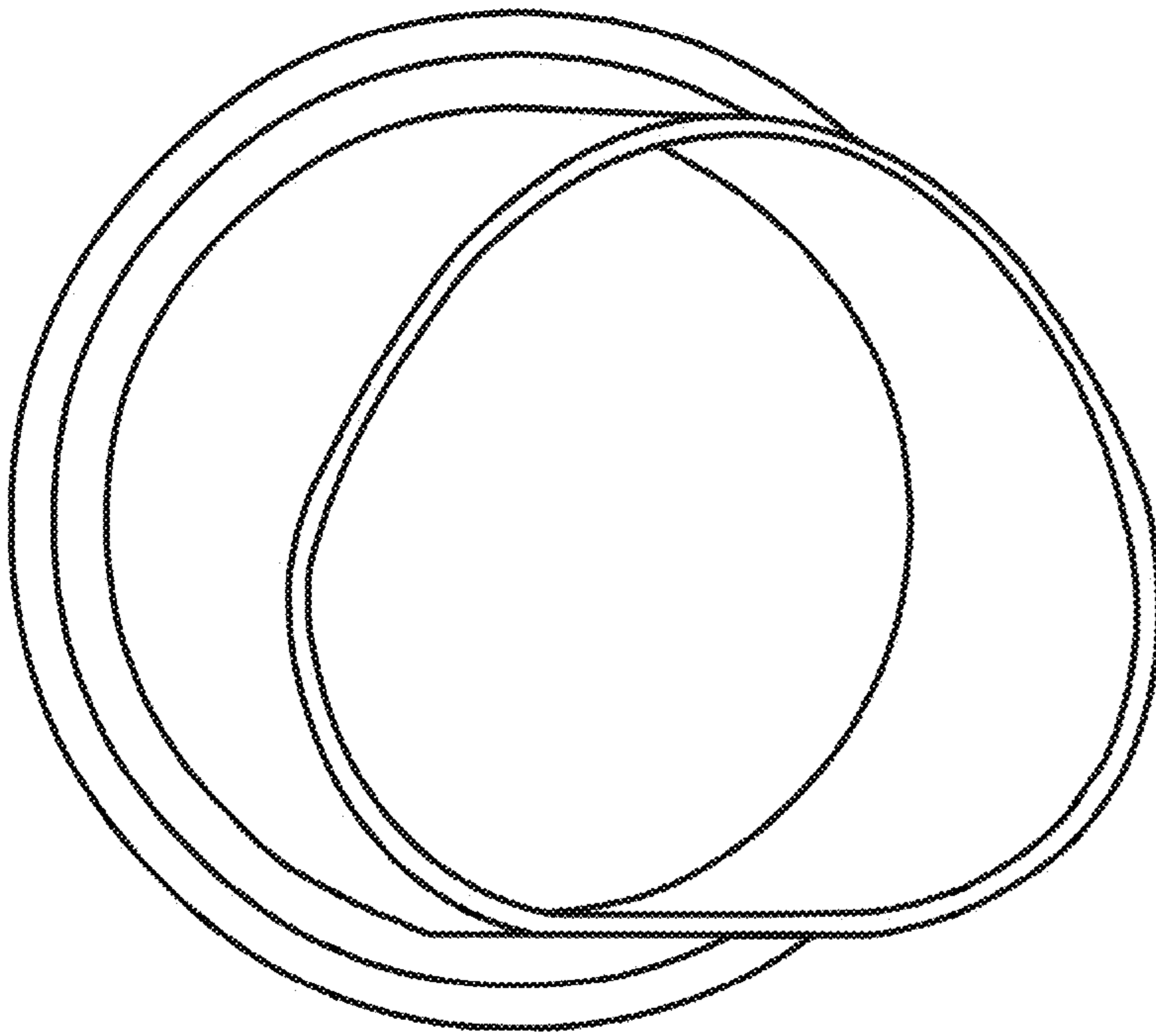


FIG. 7