



US00D904261S

(12) **United States Design Patent** (10) **Patent No.:** **US D904,261 S**
Hanaoka et al. (45) **Date of Patent:** **** Dec. 8, 2020**

(54) **INSTRUMENT PANEL FOR AUTOMOBILE**

(71) Applicant: **Nissan Motor Co., Ltd.**, Kanagawa (JP)

(72) Inventors: **Daisuke Hanaoka**, Kanagawa (JP); **Hideki Tago**, Kanagawa (JP); **Shingo Takeda**, Kanagawa (JP)

(73) Assignee: **Nissan Motor Co., Ltd.**, Yokohama (JP)

(**) Term: **15 Years**

(21) Appl. No.: **29/696,238**

(22) Filed: **Jun. 26, 2019**

(30) **Foreign Application Priority Data**

Dec. 27, 2018 (JP) 2018-028630

(51) **LOC (12) Cl.** **12-16**

(52) **U.S. Cl.**
USPC **D12/192**

(58) **Field of Classification Search**
USPC D12/192, 415, 114, 345; D15/17, 28;
D10/46, 98, 102, 103, 122-127; D23/324
CPC B60H 1/34; B60H 1/3407; B60H 1/3414;
B60H 1/3421; B60H 1/3428; B60H
1/3435; B60H 1/3442; B60H 1/345;
B60H 1/3457; B60R 7/04
See application file for complete search history.

(56) **References Cited**

U.S. PATENT DOCUMENTS

D571,272 S * 6/2008 Esaki D12/192
D697,459 S * 1/2014 Yamada D12/192

D705,142 S * 5/2014 Yamamoto D12/192
D733,021 S * 6/2015 Takagi D12/192
D756,279 S * 5/2016 Shouno D12/192
D771,541 S * 11/2016 Shouno D12/192
D791,664 S * 7/2017 Igarashi D12/192
D803,743 S * 11/2017 Igarashi D12/192
D807,266 S * 1/2018 Hasegawa D12/192
D847,055 S * 4/2019 De Vienne D12/192
D863,162 S * 10/2019 Schneider D12/192
D864,816 S * 10/2019 Kabata D12/192
2009/0174208 A1 * 7/2009 Lota B60R 7/04
296/24.34

* cited by examiner

Primary Examiner — Susan E Krakower

Assistant Examiner — Jerry Shiuan-Hua Hsu

(74) *Attorney, Agent, or Firm* — Global IP Counselors, LLP

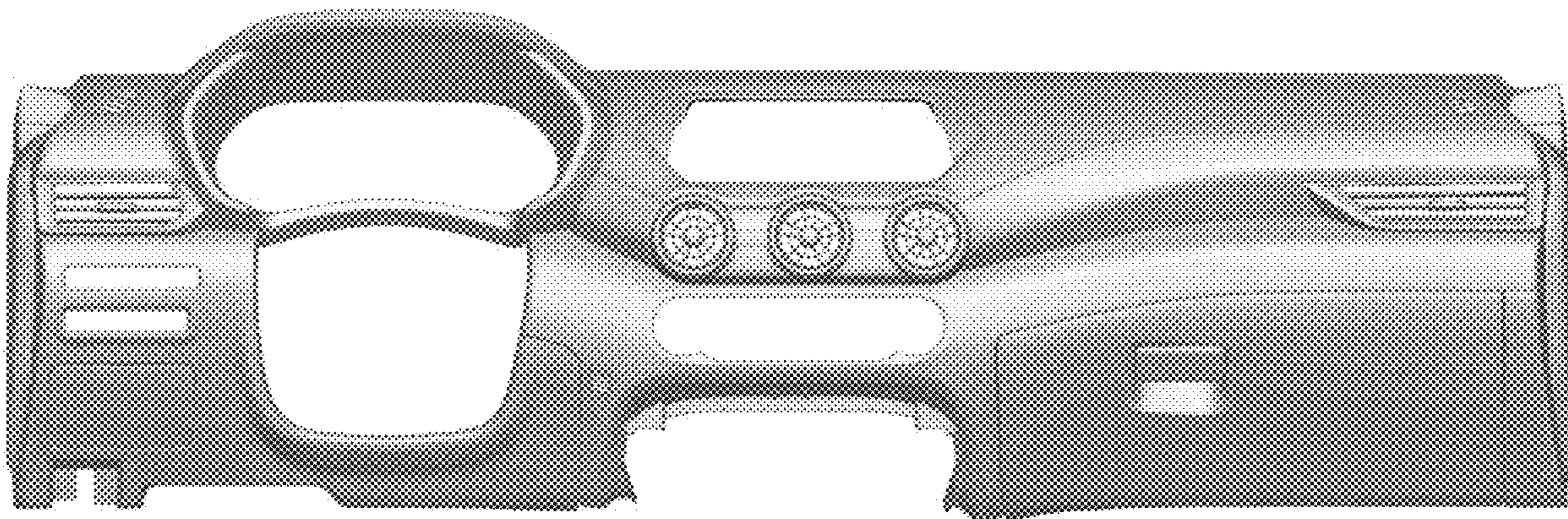
(57) **CLAIM**

The ornamental design for an instrument panel for automobile, as shown and described.

DESCRIPTION

FIG. 1 is a front elevational view of an instrument panel for automobile in accordance with our new design. The mirror image of the instrument panel is claimed but not shown; FIG. 2 is a top plan view thereof; FIG. 3 is a bottom plan view thereof; FIG. 4 is a left side elevational view thereof; FIG. 5 is a right side elevational view thereof; FIG. 6 is a front, left perspective view thereof; and, FIG. 7 is a front, right perspective view thereof. The broken lines illustrate portions of the instrument panel for automobile that form no part of the claimed design.

1 Claim, 7 Drawing Sheets



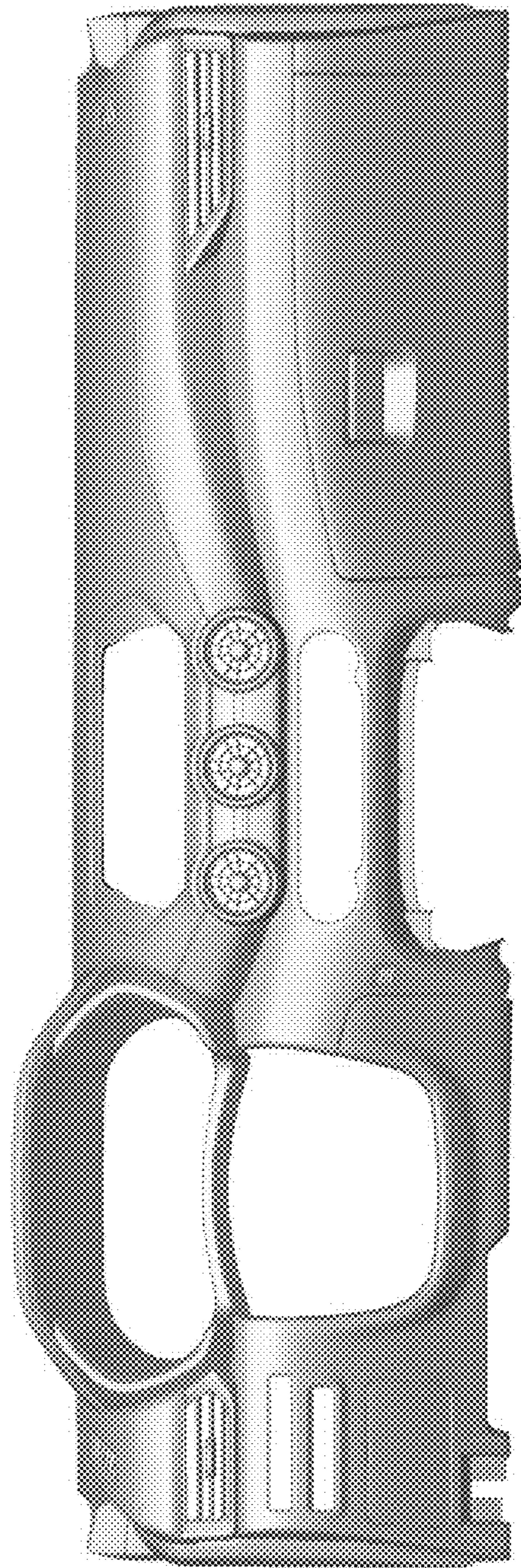


FIG. 1

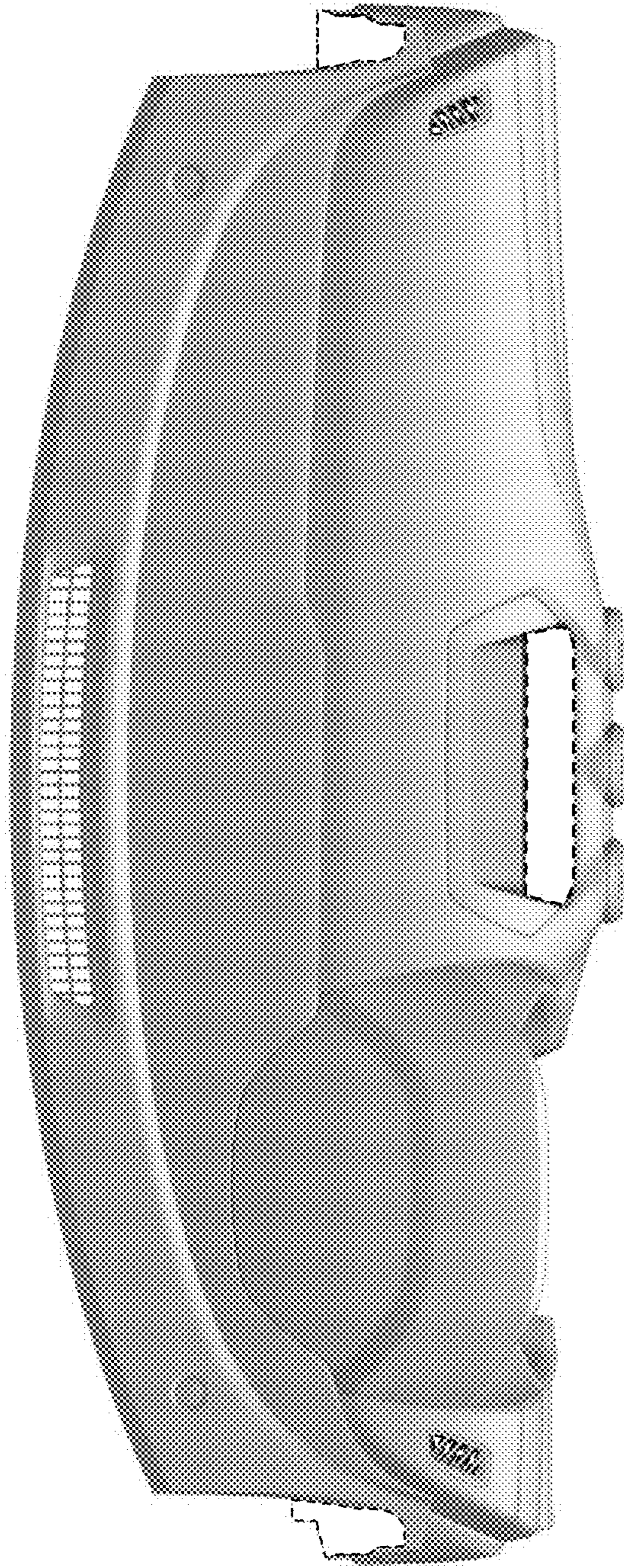


FIG. 2

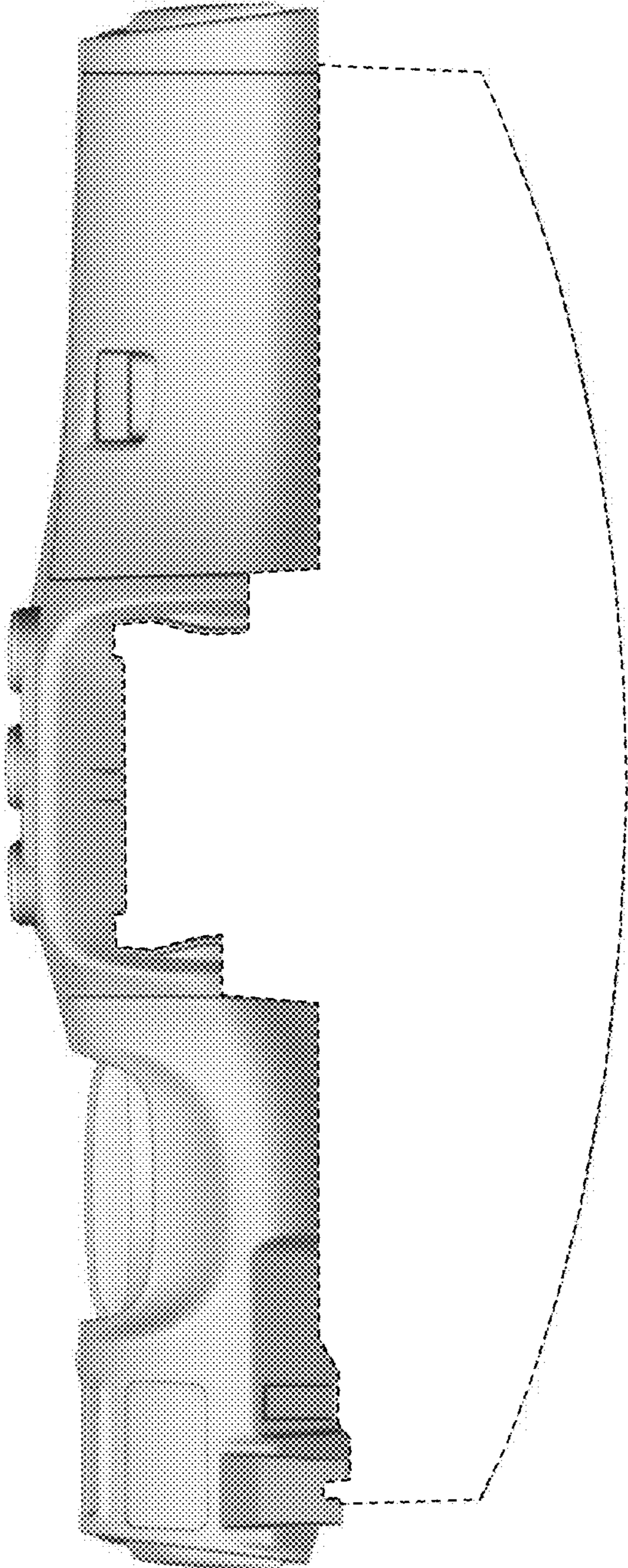


FIG. 3

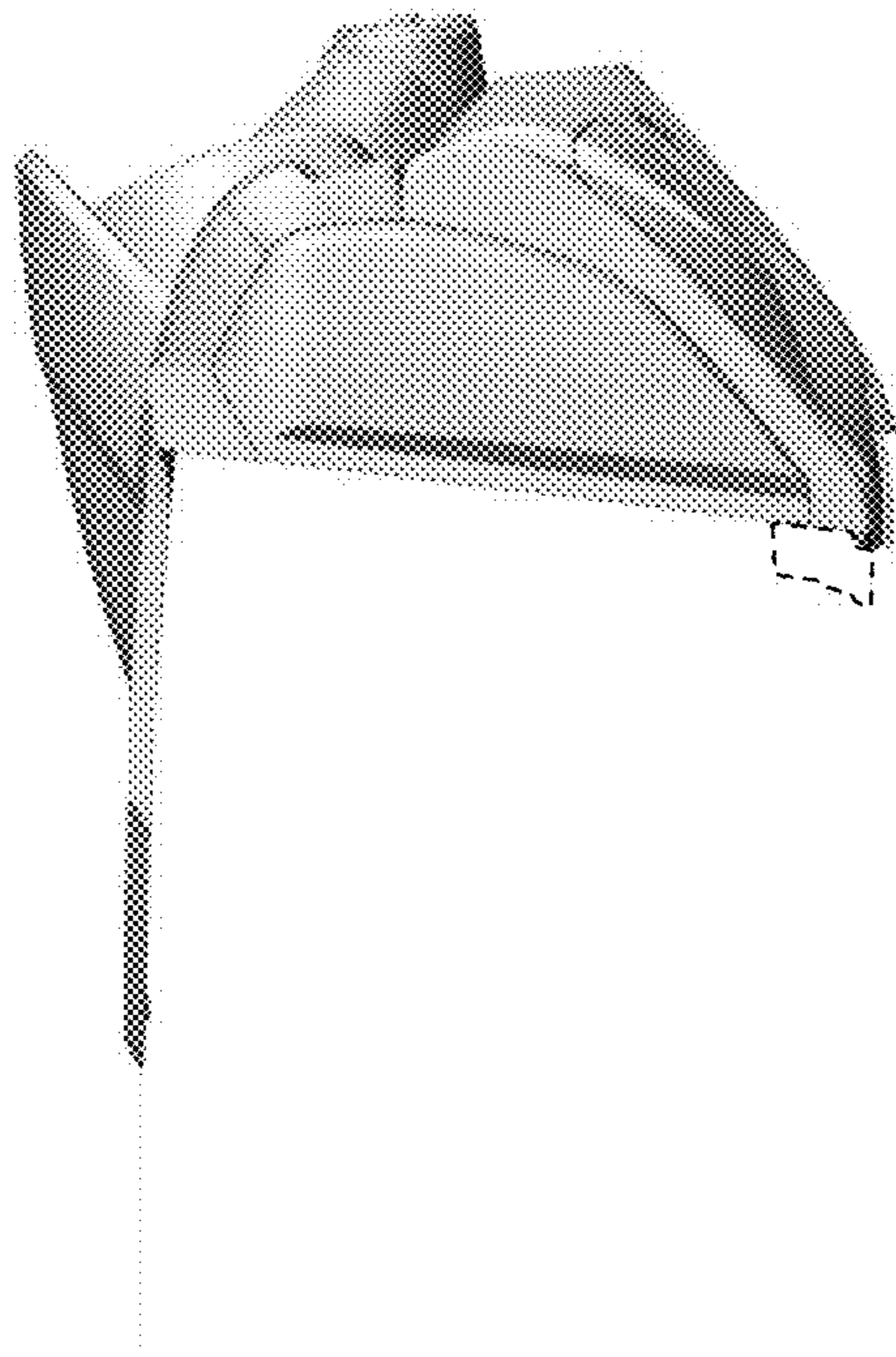


FIG. 4

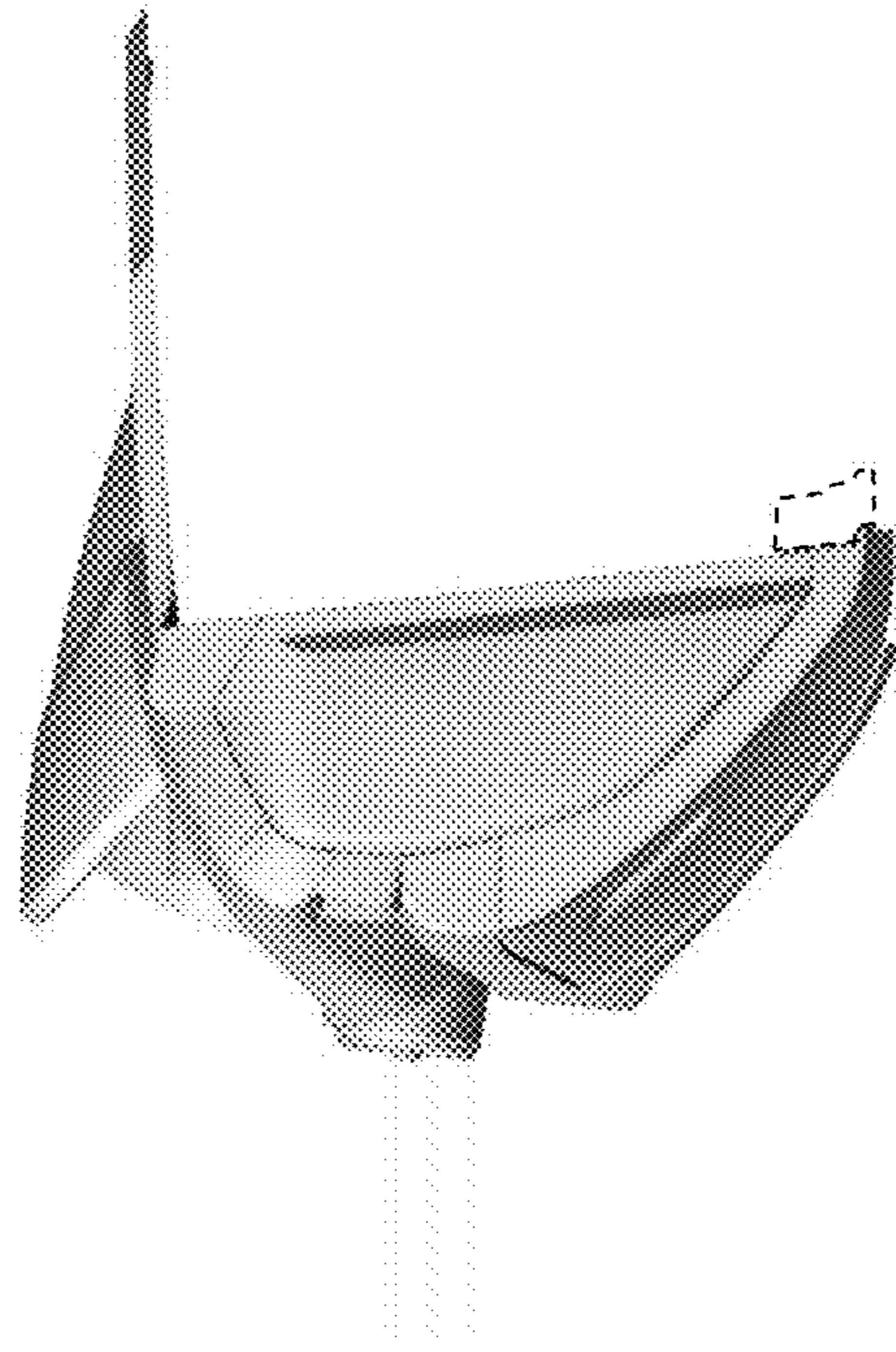


FIG. 5

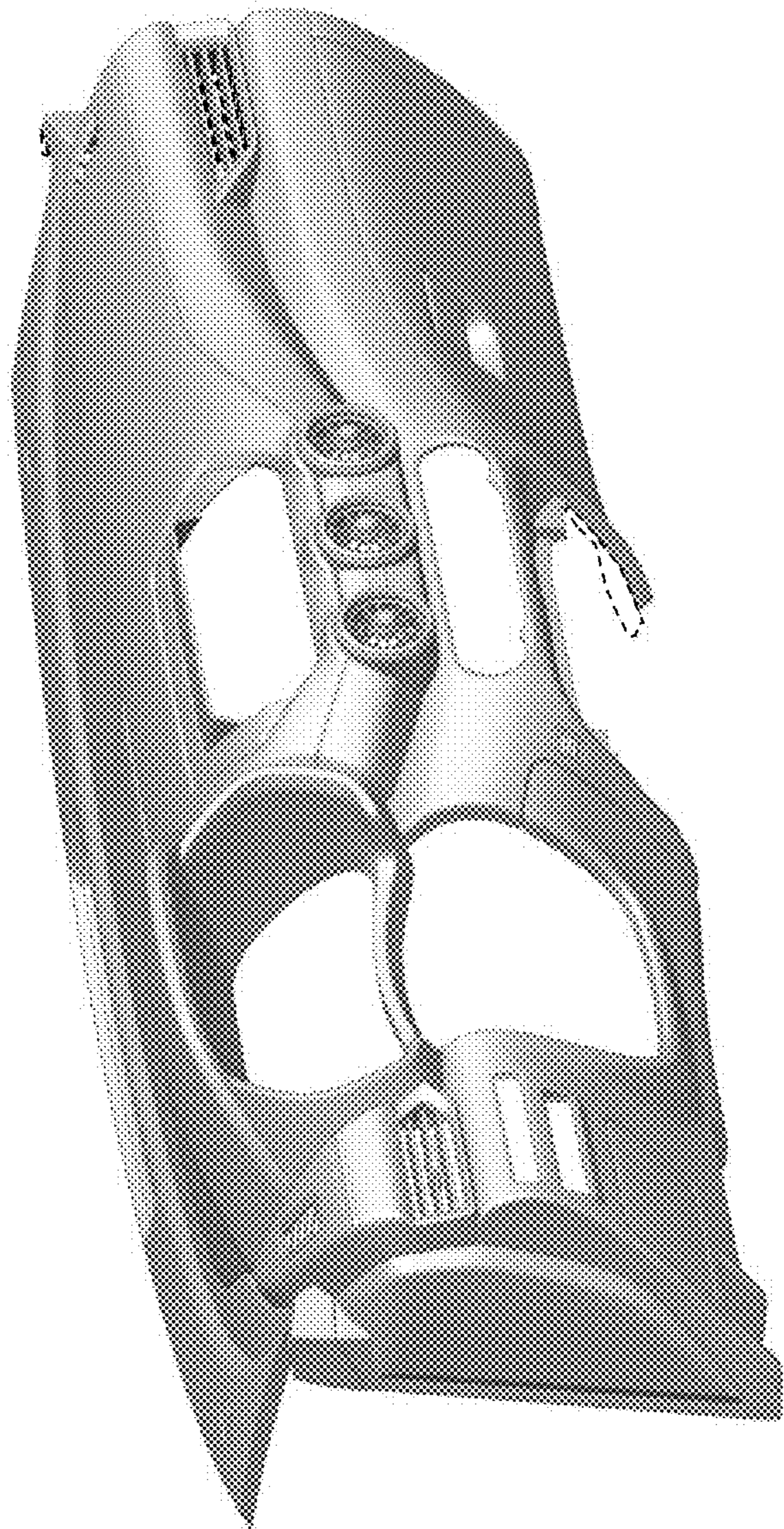


FIG. 6

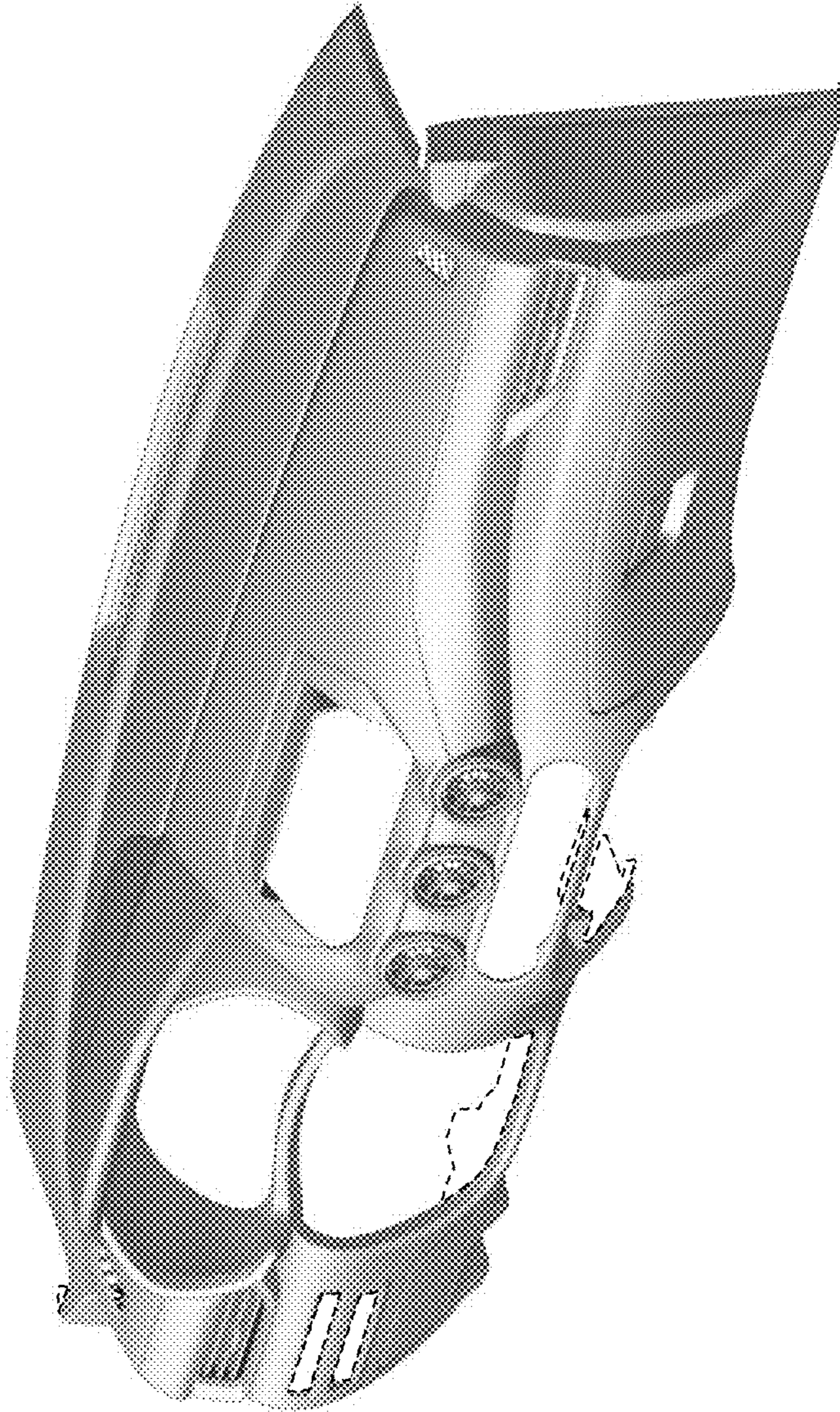


FIG. 7