



US00D904260S

(12) **United States Design Patent** (10) **Patent No.:** **US D904,260 S**  
**Piaskowski et al.** (45) **Date of Patent:** **\*\* Dec. 8, 2020**

(54) **VEHICLE MIRROR**

(71) Applicant: **Ford Global Technologies, LLC,**  
Dearborn, MI (US)

(72) Inventors: **Joel Piaskowski,** Birmingham, MI  
(US); **Gordon M. Platto,** Troy, MI  
(US); **Christopher G. Walter,** Traverse  
City, MI (US); **Colin R. Bonathan,**  
Dearborn, MI (US); **Aditya Narayan,**  
Detroit, MI (US)

(73) Assignee: **Ford Global Technologies, LLC,**  
Dearborn, MI (US)

(\*\*) Term: **15 Years**

(21) Appl. No.: **29/708,919**

(22) Filed: **Oct. 10, 2019**

(51) **LOC (12) Cl.** ..... **12-16**

(52) **U.S. Cl.**  
USPC ..... **D12/187**

(58) **Field of Classification Search**  
USPC ..... D12/187-189; D6/300, 309  
CPC ..... B60R 1/076; G02B 7/182; G02B 5/08;  
G02B 7/18

See application file for complete search history.

(56) **References Cited**

**U.S. PATENT DOCUMENTS**

D543,918 S *	6/2007	Pfeiffer .....	D12/187
D559,162 S	1/2008	Saridakis et al.	
D709,415 S	7/2014	Mays et al.	
D709,416 S	7/2014	Mays et al.	
D718,689 S *	12/2014	Blanski .....	D12/187
D793,311 S *	8/2017	Whitla .....	D12/187
D800,039 S *	10/2017	Bucher .....	D12/187
D840,885 S *	2/2019	Park Cheng .....	D12/187
D882,471 S *	4/2020	Tovey .....	D12/187
D883,878 S *	5/2020	Metros .....	D12/187

D883,879 S *	5/2020	Metros .....	D12/187
D886,015 S *	6/2020	Kim .....	D12/187
D887,330 S *	6/2020	Nilsson .....	D12/187
D893,372 S *	8/2020	Smock .....	D12/187
2019/0253184 A1 *	8/2019	Xing .....	H04B 7/06

**OTHER PUBLICATIONS**

Meghan Drummond, 2020 Mustang Hybrid, <https://www.cjponyparts.com/resources/2020-mustang-hybrid> Sep. 13, 2019.

Andrew Krok, Ford's 'Mustang-inspired' electric SUV: Everything we know, <https://www.cnet.com/roadshow/news/ford-mustang-inspired-electric-sub-details-rumors> Oct. 2, 2019.

Ford News Clips—Briefing, Ford's EV Strategy takes Shape in Search for Popularity and Profit, Sep. 3, 2019.

\* cited by examiner

*Primary Examiner* — Katrina A Betton

(74) *Attorney, Agent, or Firm* — Michael Spenner

(57) **CLAIM**

The ornamental design for a vehicle mirror, as shown and described.

**DESCRIPTION**

FIG. 1 is a front elevational view of a vehicle mirror, showing our new design;

FIG. 2 is a rear elevational view thereof;

FIG. 3 is a left side elevational view thereof;

FIG. 4 is a right side elevational view thereof;

FIG. 5 is a top plan view thereof;

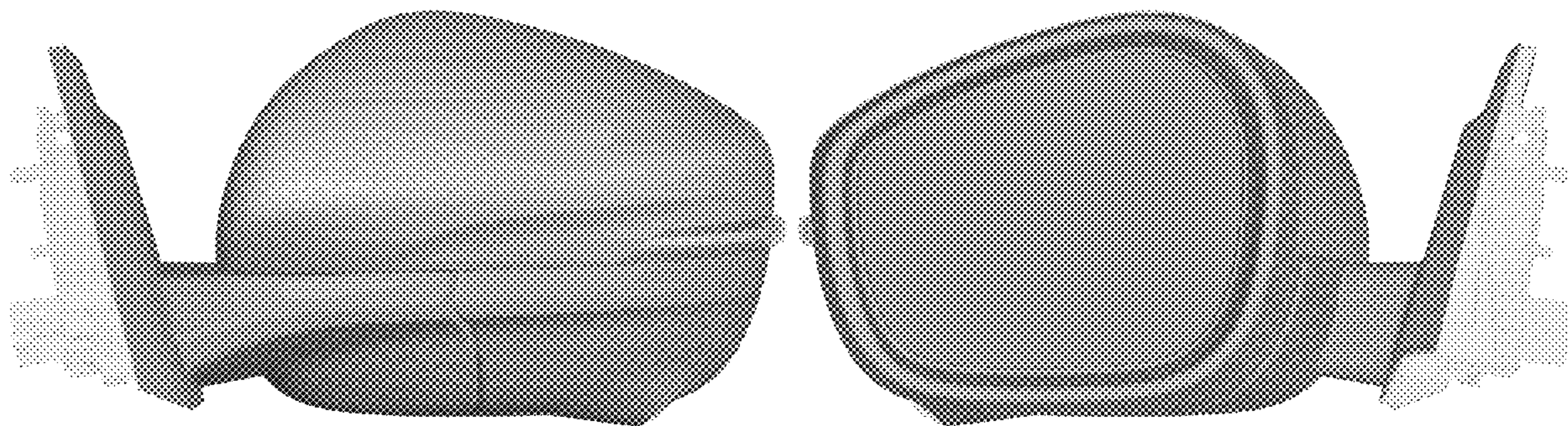
FIG. 6 is a bottom plan view thereof;

FIG. 7 is a top, front and left side perspective view thereof; and,

FIG. 8 is a bottom, front and left side perspective view thereof.

The claimed design is indicated by the relatively dark portions in the figures. The de-emphasized and relatively light portions form no part of the claimed design.

**1 Claim, 8 Drawing Sheets**



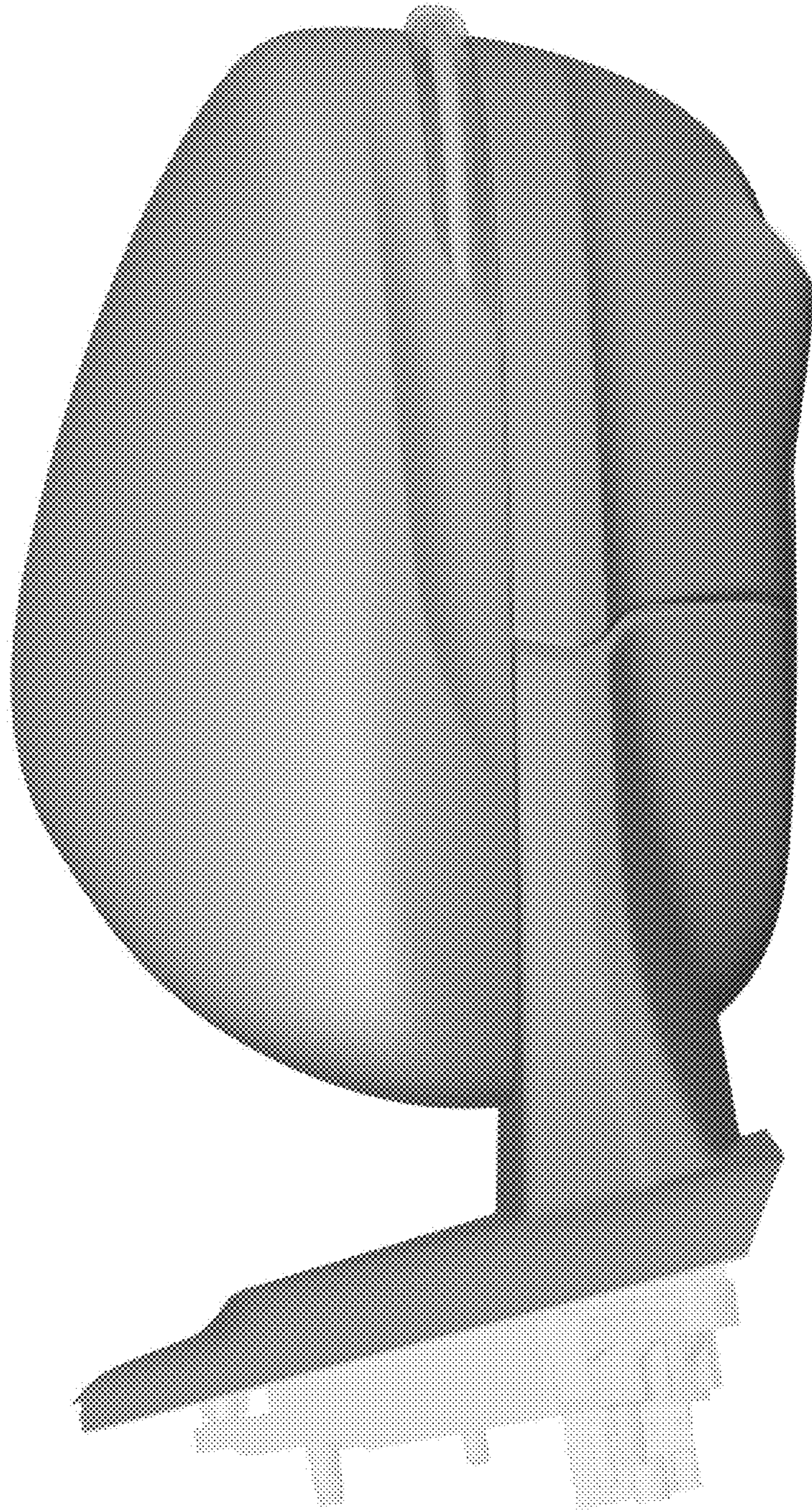


Fig.1

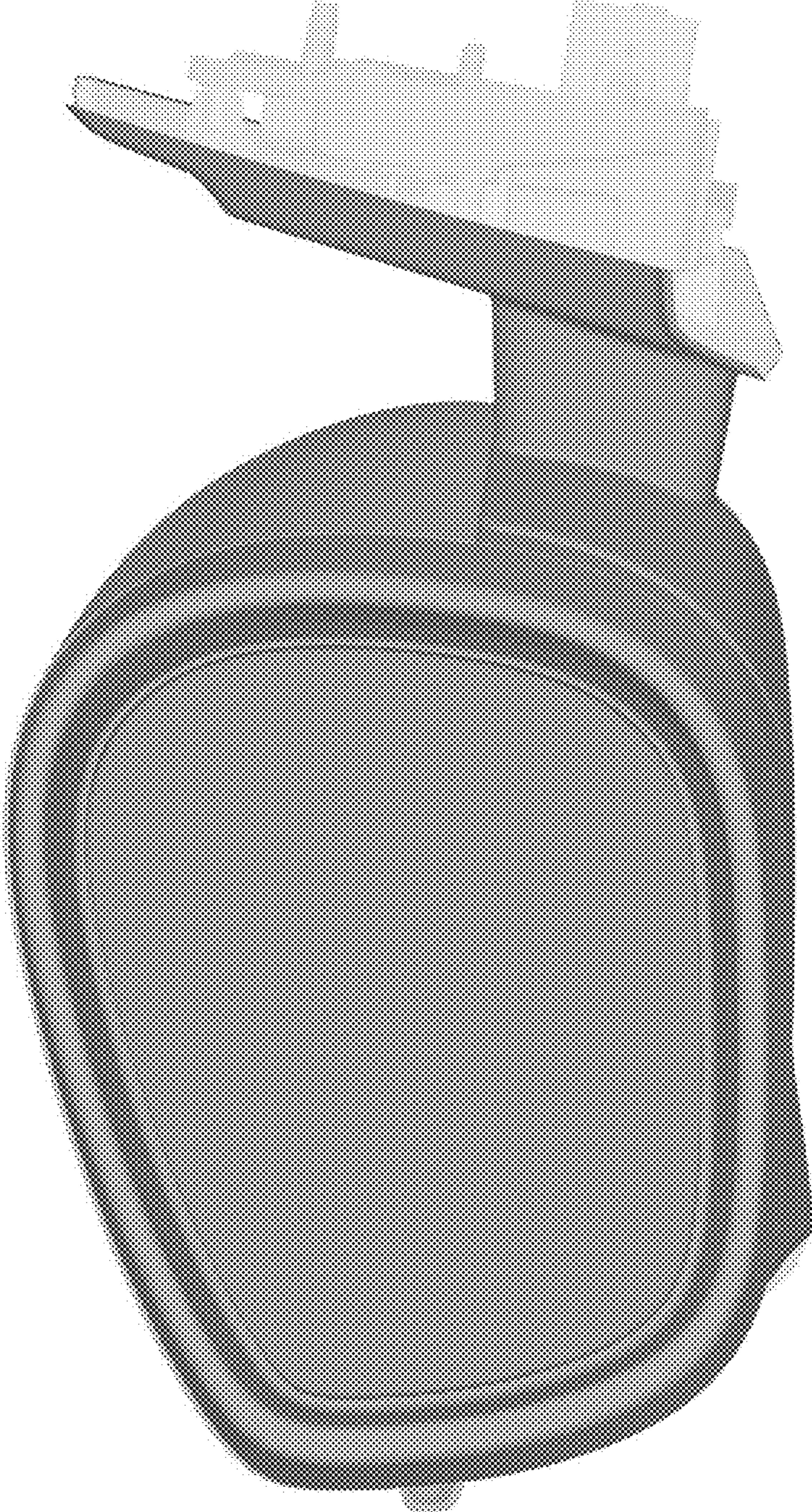


Fig. 2

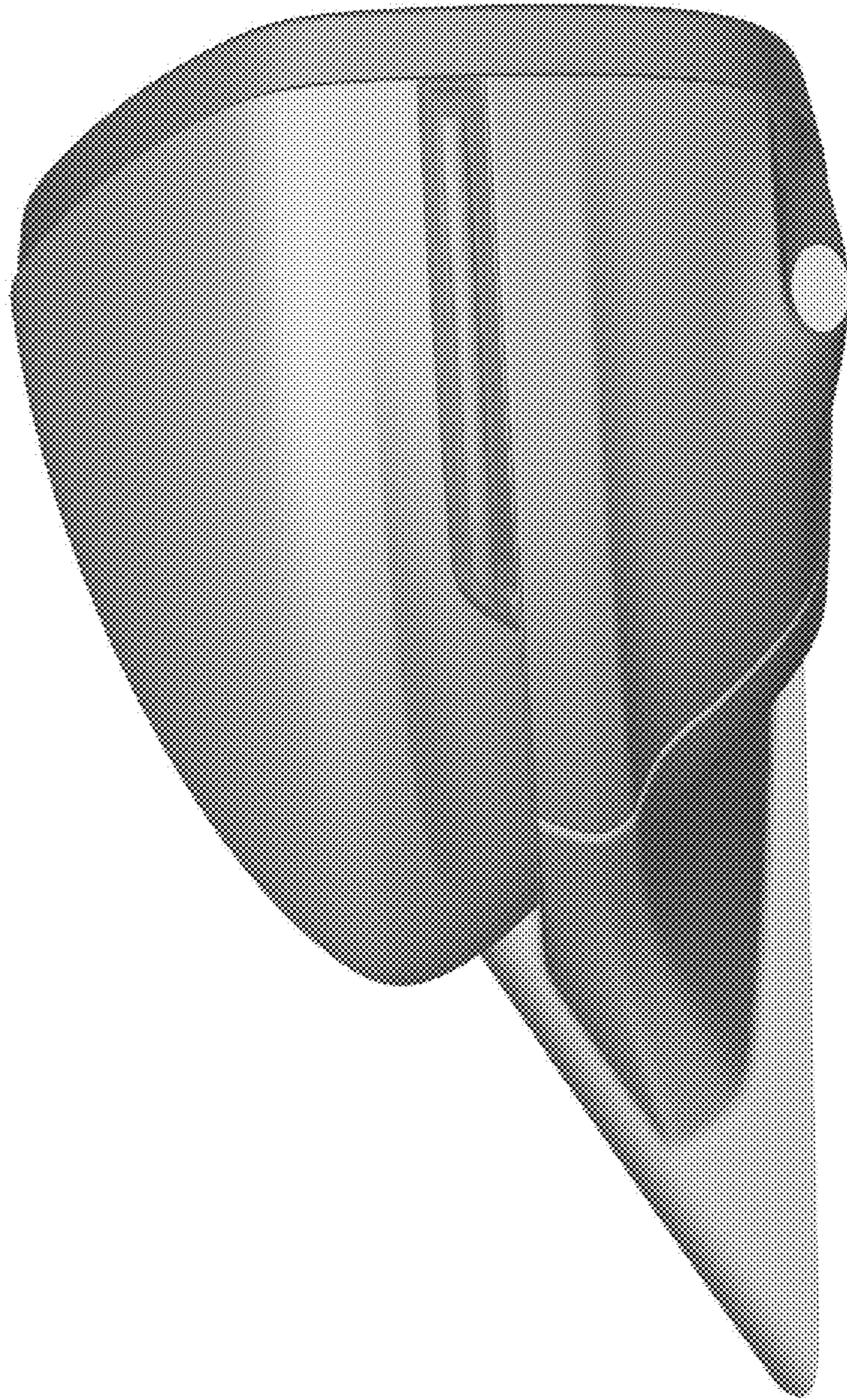


Fig. 3

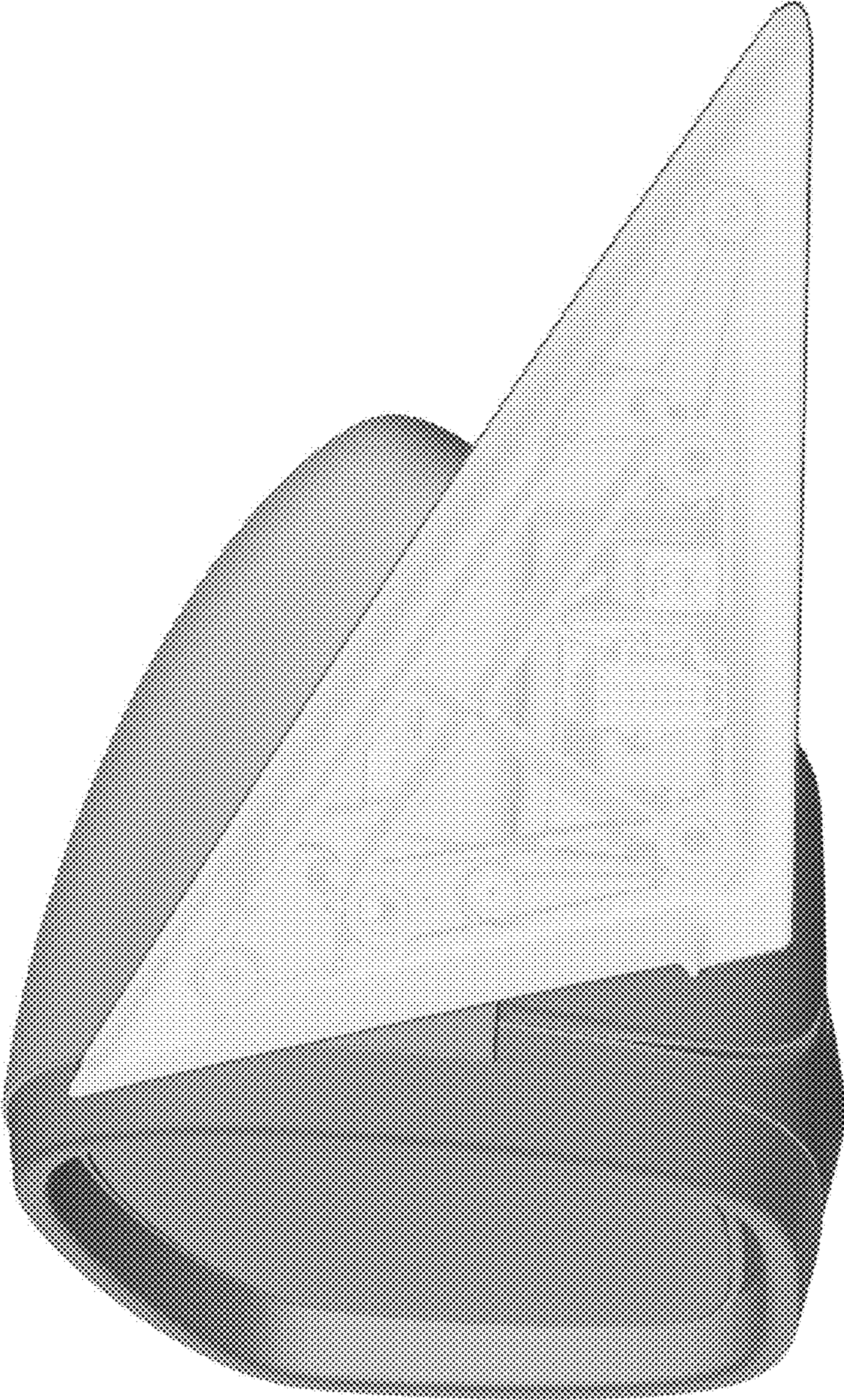


Fig.4

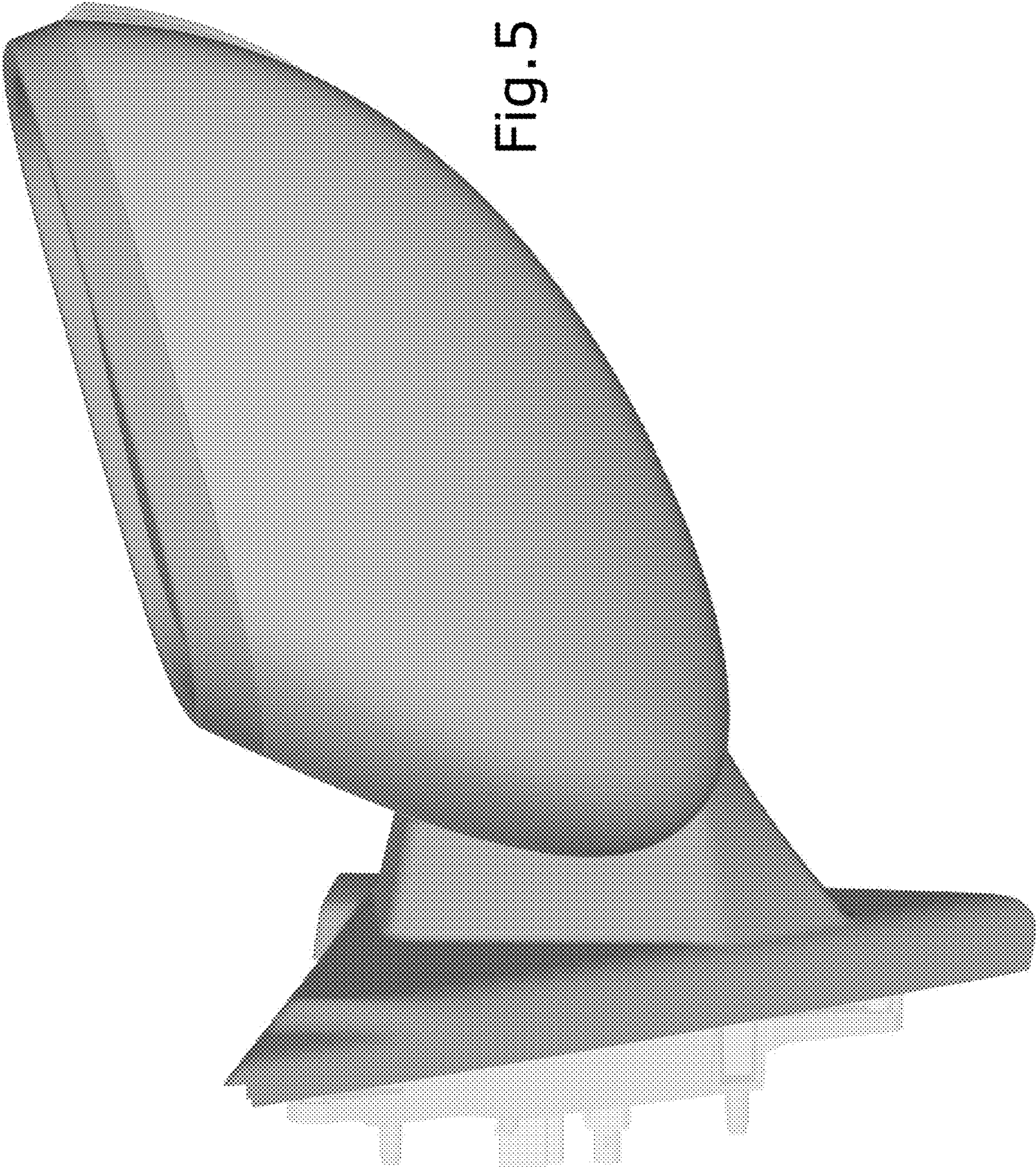


Fig. 5

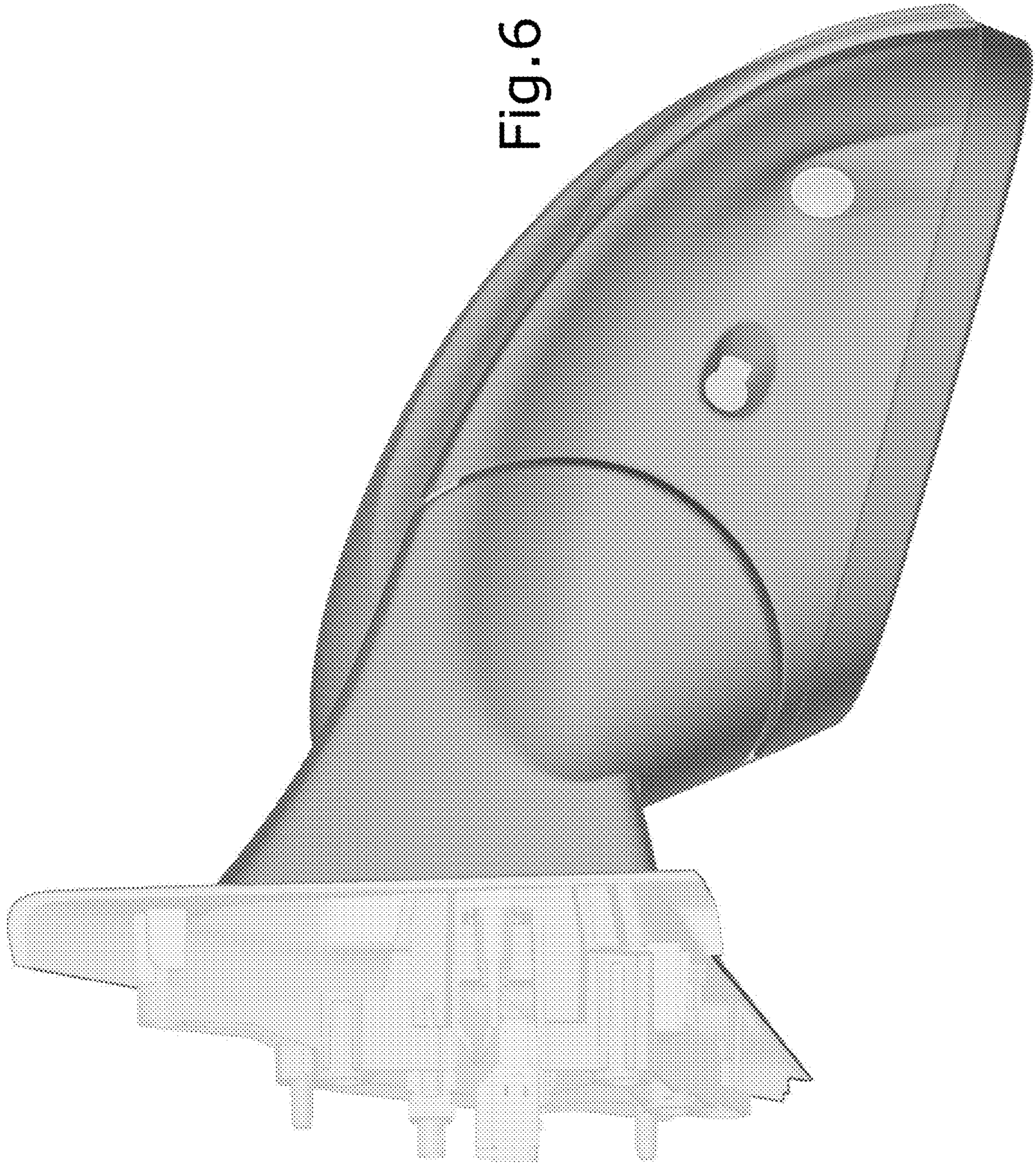


Fig. 6

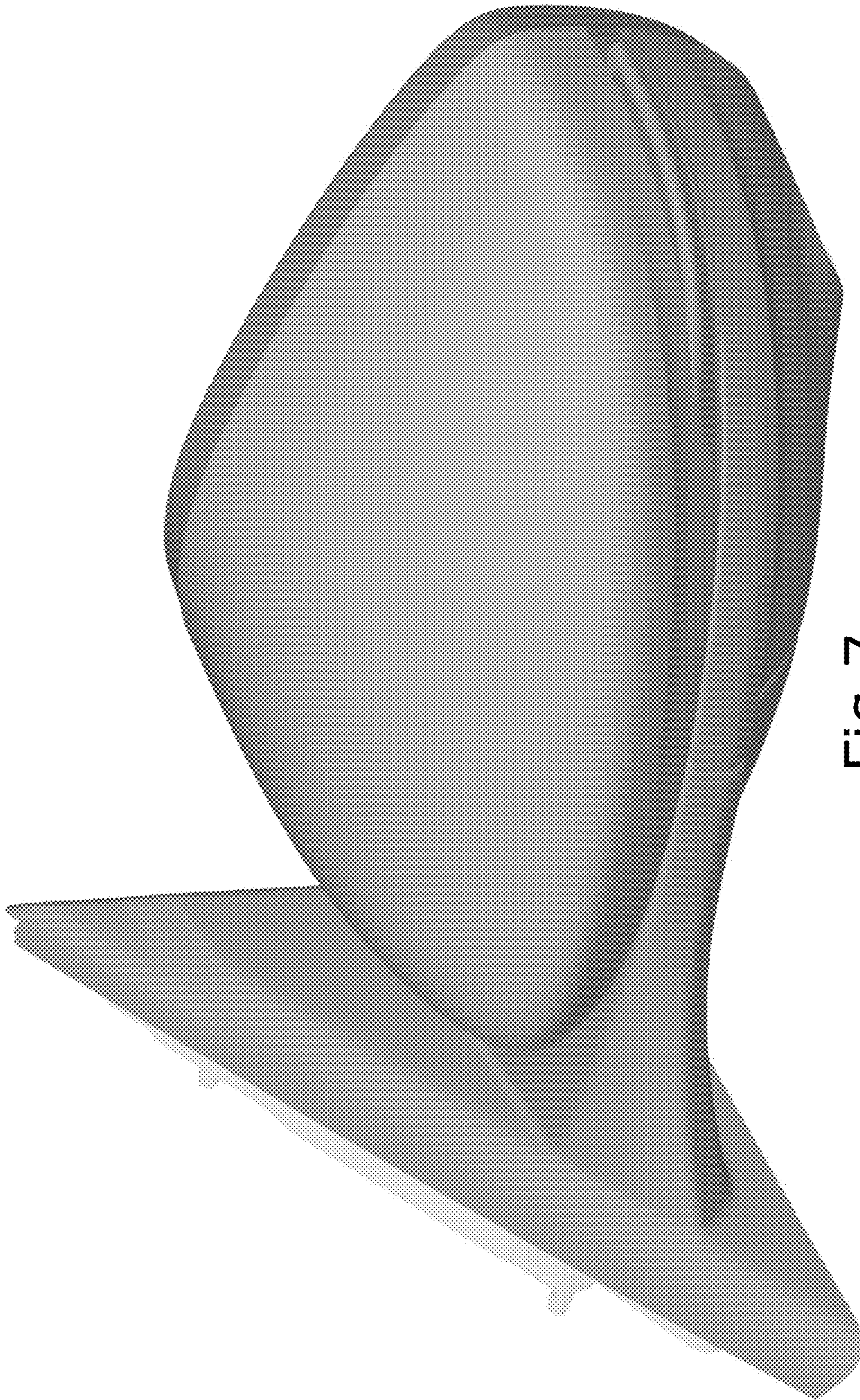


Fig. 7



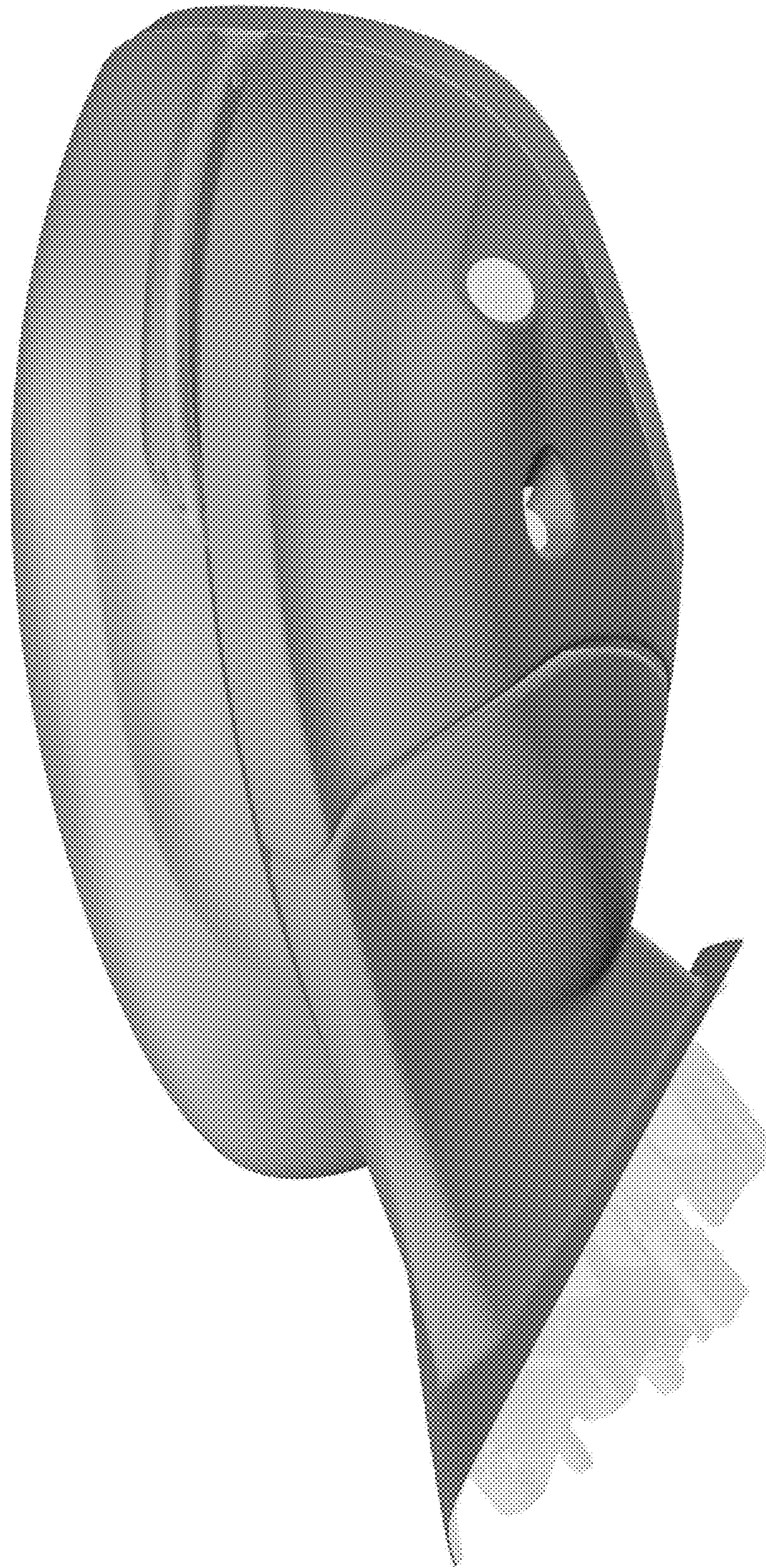


Fig. 8