



US00D904258S

(12) **United States Design Patent**
Pritchard

(10) **Patent No.:** **US D904,258 S**

(45) **Date of Patent:** **** Dec. 8, 2020**

(54) **COMBINED MULTI-VIEW SURVEILLANCE
CAMERA MIRROR**

(71) Applicant: **Chris Pritchard**, Germantown, TN
(US)

(72) Inventor: **Chris Pritchard**, Germantown, TN
(US)

(**) Term: **15 Years**

(21) Appl. No.: **29/691,811**

(22) Filed: **May 20, 2019**

(51) **LOC (12) Cl.** **12-16**

(52) **U.S. Cl.**
USPC **D12/187**

(58) **Field of Classification Search**
USPC D12/187, 188, 189; D6/300, 309
CPC G01S 7/022; B60R 1/04; B60R 1/12
See application file for complete search history.

(56) **References Cited**

U.S. PATENT DOCUMENTS

D300,312 S *	3/1989	Skogler	D12/188
D351,370 S *	10/1994	Lawlor	D12/187
D451,456 S *	12/2001	Santo	D12/187
D473,172 S *	4/2003	Wang	D12/187
D478,537 S *	8/2003	Ono	D12/187
8,019,505 B2 *	9/2011	Schofield	B60R 1/12 340/438
D729,715 S *	5/2015	Roth	D12/187

9,487,144 B2 *	11/2016	Blank	B60R 1/12
D862,333 S *	10/2019	Song	D12/187
2004/0142675 A1 *	7/2004	Chen	B60R 1/12 455/344
2009/0091489 A1 *	4/2009	Banko	G01S 7/022 342/20
2014/0192431 A1 *	7/2014	Sloterbeek	B60R 1/04 359/871

* cited by examiner

Primary Examiner — Susan E Krakower

Assistant Examiner — Jerry Shiuan-Hua Hsu

(74) *Attorney, Agent, or Firm* — Harpman & Harpman

(57) **CLAIM**

The ornamental design for a combined multi-view surveillance camera mirror, as shown and described.

DESCRIPTION

FIG. 1 is a perspective front, right side and top view of the combined multi-view surveillance camera mirror.

FIG. 2 is a front elevational view thereof.

FIG. 3 is a rear elevational view thereof.

FIG. 4 is a top plan view thereof.

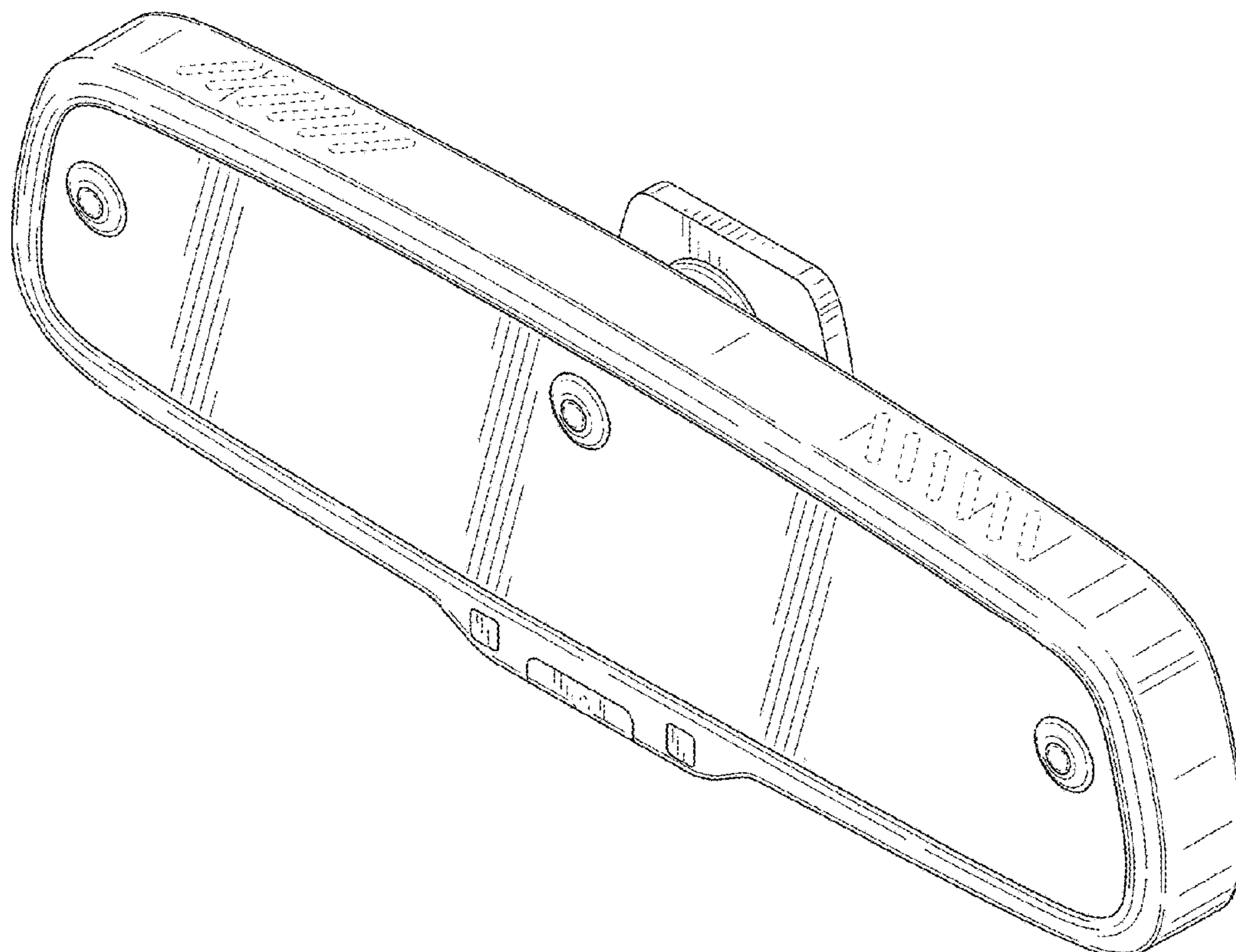
FIG. 5 is a bottom plan view thereof.

FIG. 6 is a left side elevational view thereof; and,

FIG. 7 is a right side elevational view thereof.

The broken lines illustrate portions of the combined multi-view surveillance camera mirror that form no part of the claimed design.

1 Claim, 6 Drawing Sheets



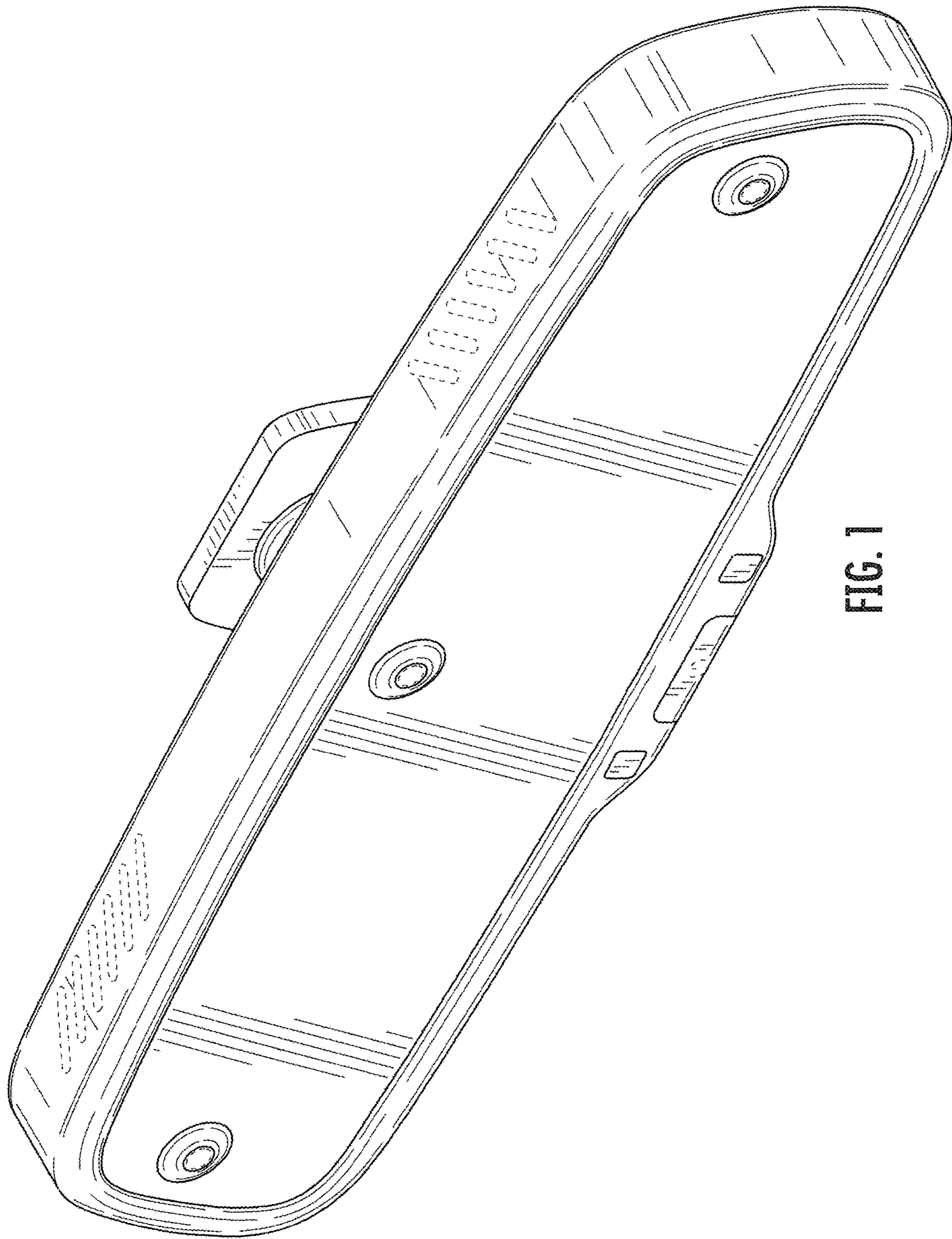


FIG. 1

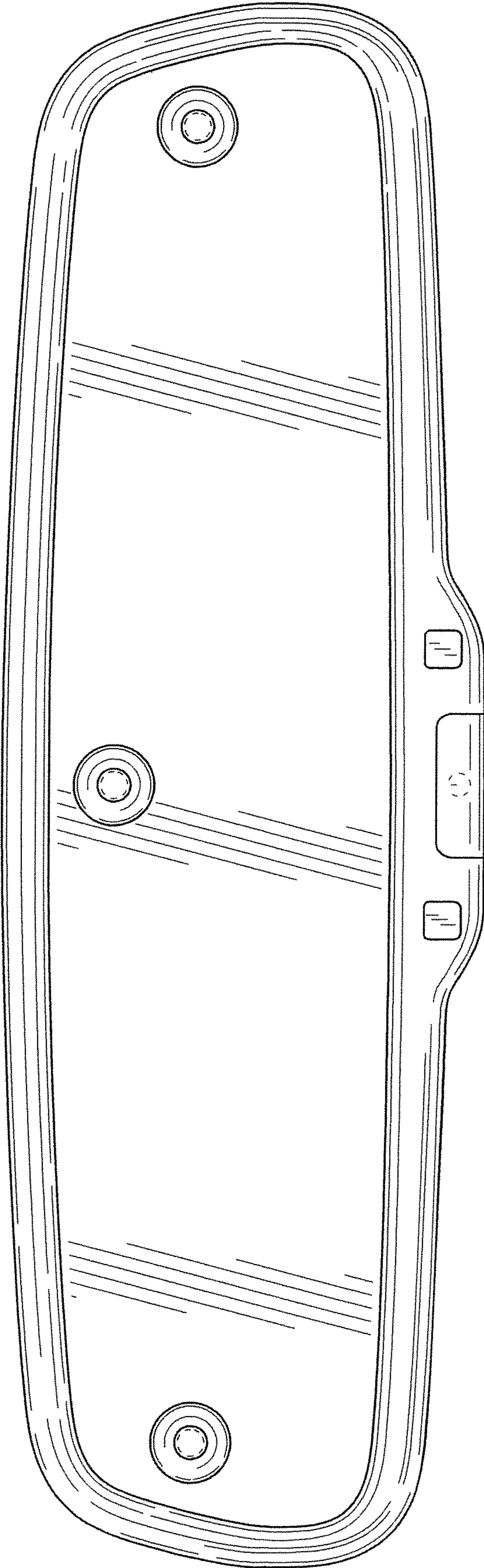


FIG. 2

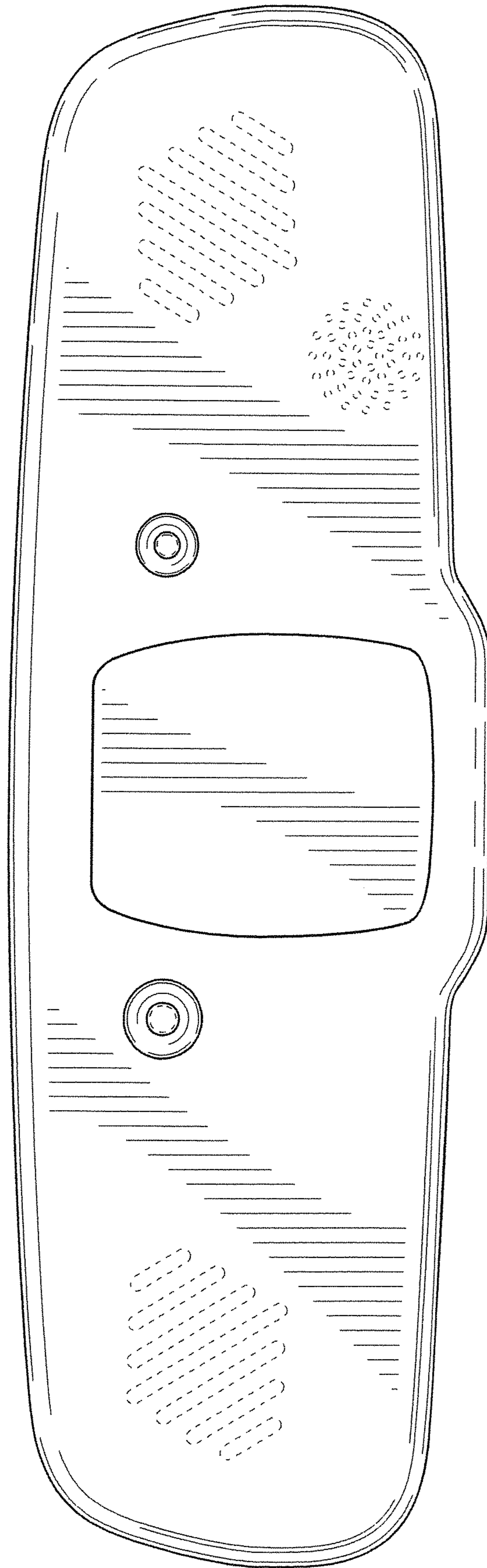


FIG. 3

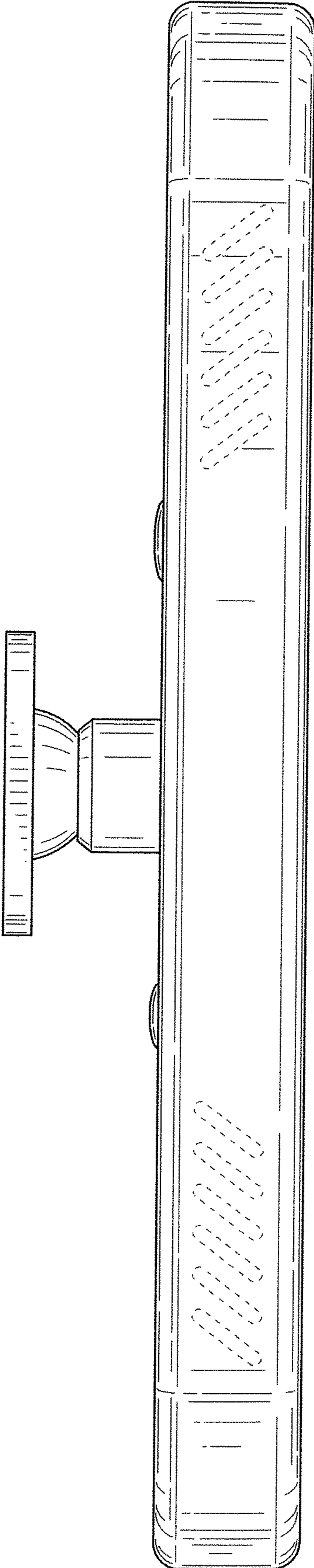


FIG. 4

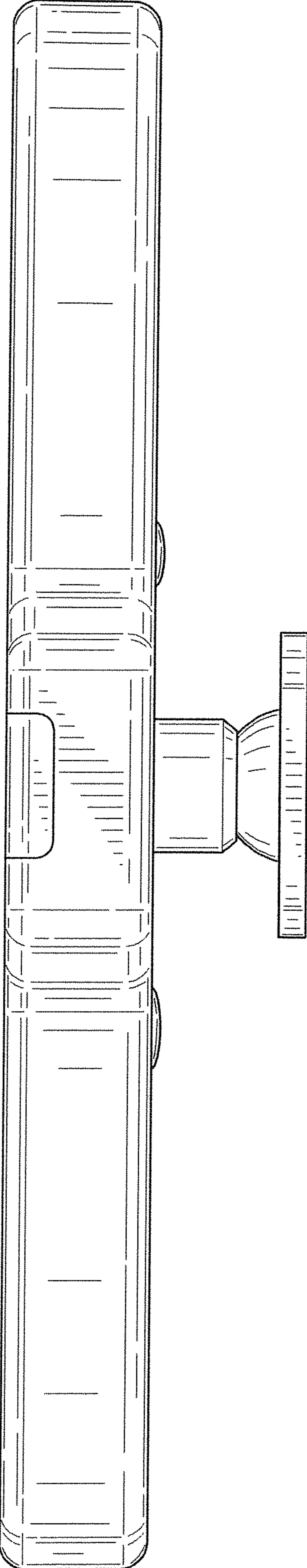


FIG. 5

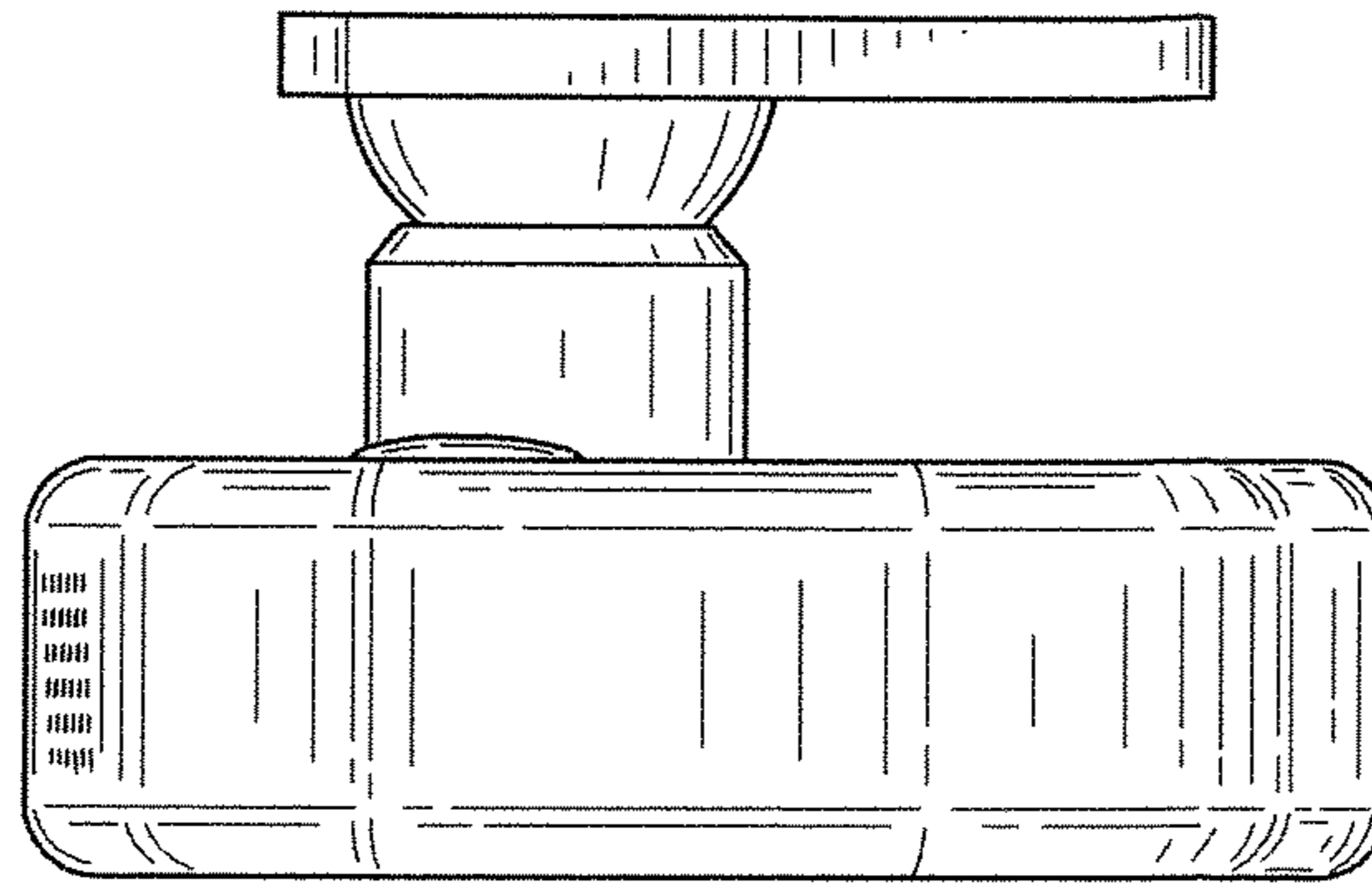


FIG. 7

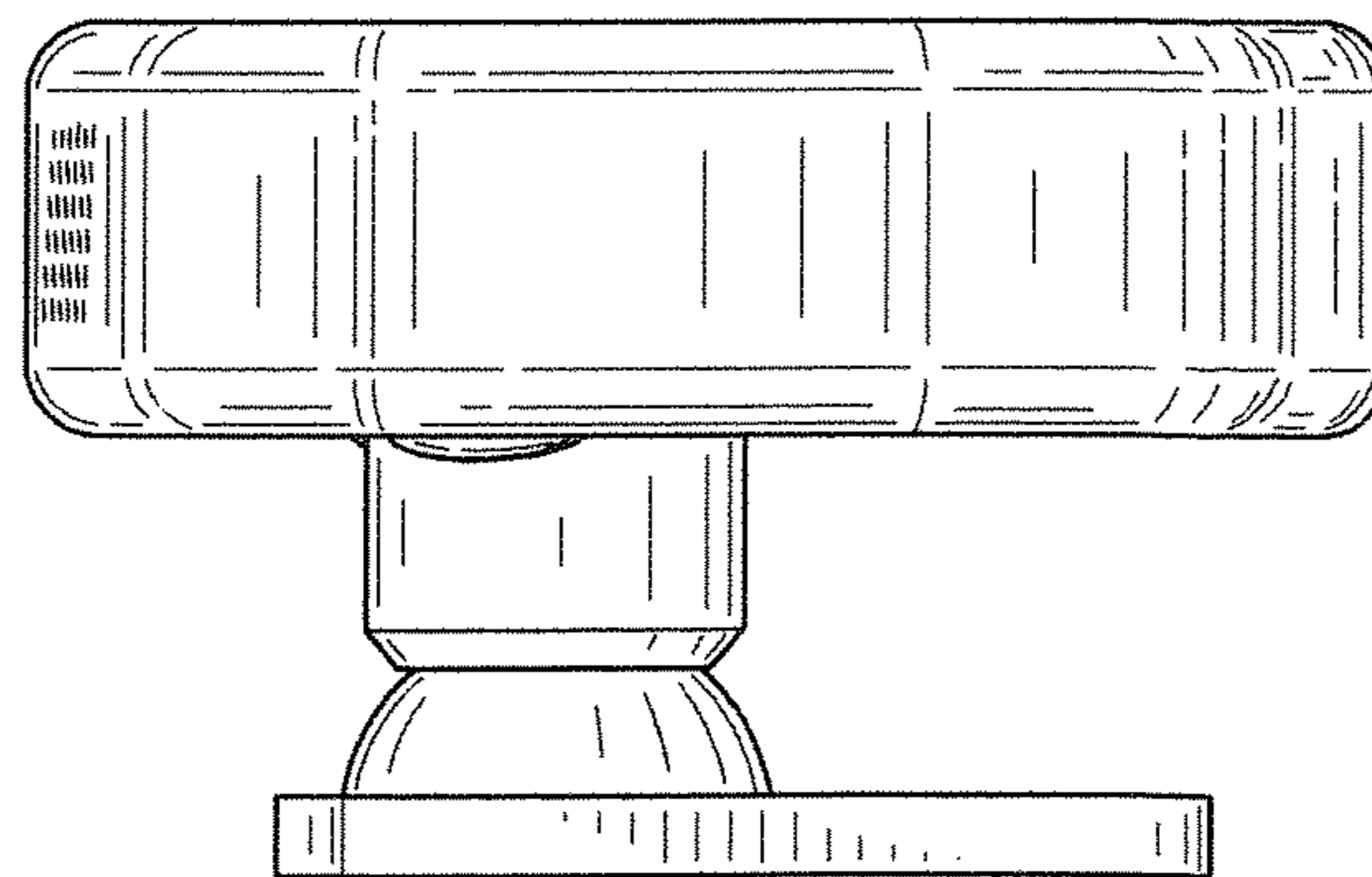


FIG. 6