



US00D904254S

(12) **United States Design Patent**
Saporito

(10) **Patent No.:** **US D904,254 S**

(45) **Date of Patent:** **** Dec. 8, 2020**

- (54) **REAR WINDOW VALENCE**
- (71) Applicant: **Stephen Saporito**, Rockledge, FL (US)
- (72) Inventor: **Stephen Saporito**, Rockledge, FL (US)
- (**) Term: **15 Years**
- (21) Appl. No.: **29/698,820**
- (22) Filed: **Jul. 19, 2019**
- (51) **LOC (12) Cl.** **12-16**
- (52) **U.S. Cl.**
USPC **D12/183**
- (58) **Field of Classification Search**
USPC D12/183, 182, 190, 191
CPC B60J 3/02; B60J 3/0208; B60J 1/20; B60J
1/2005; B60J 1/2002; B60J 3/0204
See application file for complete search history.

- D756,868 S * 5/2016 Shu D12/183
- D757,618 S 5/2016 Richardson
- D763,152 S 8/2016 Frascella
- D773,969 S * 12/2016 Akins D12/183
- D776,587 S 1/2017 Nussbaumer
- D776,628 S * 1/2017 Minale D13/169
- D778,794 S * 2/2017 Bouie D12/183
- D792,821 S * 7/2017 Greger D12/183
- D793,308 S 8/2017 Lewis
- D797,622 S * 9/2017 Taylor D12/183
- D801,244 S * 10/2017 Shu D12/183
- D807,264 S * 1/2018 Henstridge D12/190
- D808,316 S * 1/2018 Piscitelli D12/190
- D825,419 S 8/2018 Saporito
- D843,283 S 3/2019 Saporito
- D843,902 S 3/2019 Saporito
- D843,903 S 3/2019 Saporito

* cited by examiner

Primary Examiner — Katrina A Betton
(74) *Attorney, Agent, or Firm* — Brian S. Steinberger;
Hillary F. Steinberger; Law Offices of Brian S.
Steinberger, P.A.

(56) **References Cited**

U.S. PATENT DOCUMENTS

- D504,854 S 5/2005 Hicks
- D548,657 S 8/2007 Eskandry
- D556,022 S 11/2007 Henry
- D556,104 S 11/2007 Saporito
- D559,161 S 1/2008 Leal
- D607,392 S 1/2010 Shymkiw
- D659,059 S 5/2012 Elmitt
- D695,170 S * 12/2013 Eskandry D12/183
- D711,303 S 8/2014 Kang-Morales et al.
- D713,770 S 9/2014 Molinari et al.
- D717,222 S 11/2014 Waterman et al.
- D725,560 S 3/2015 Mays et al.
- D733,020 S 6/2015 Queen et al.
- D735,628 S * 8/2015 Eskandry D12/183
- D748,547 S 2/2016 Battams
- D750,259 S * 2/2016 Lau D24/183

(57) **CLAIM**

The ornamental design for a rear window valence, as shown and described.

DESCRIPTION

FIG. 1 is a top view of the novel rear window valence.
FIG. 2 is an upper perspective view of the rear window valence of FIG. 1.
FIG. 3 is a front view of the rear window valence of FIG. 1; and,
FIG. 4 is a left perspective side view of the rear window valence of FIG. 1.

1 Claim, 4 Drawing Sheets

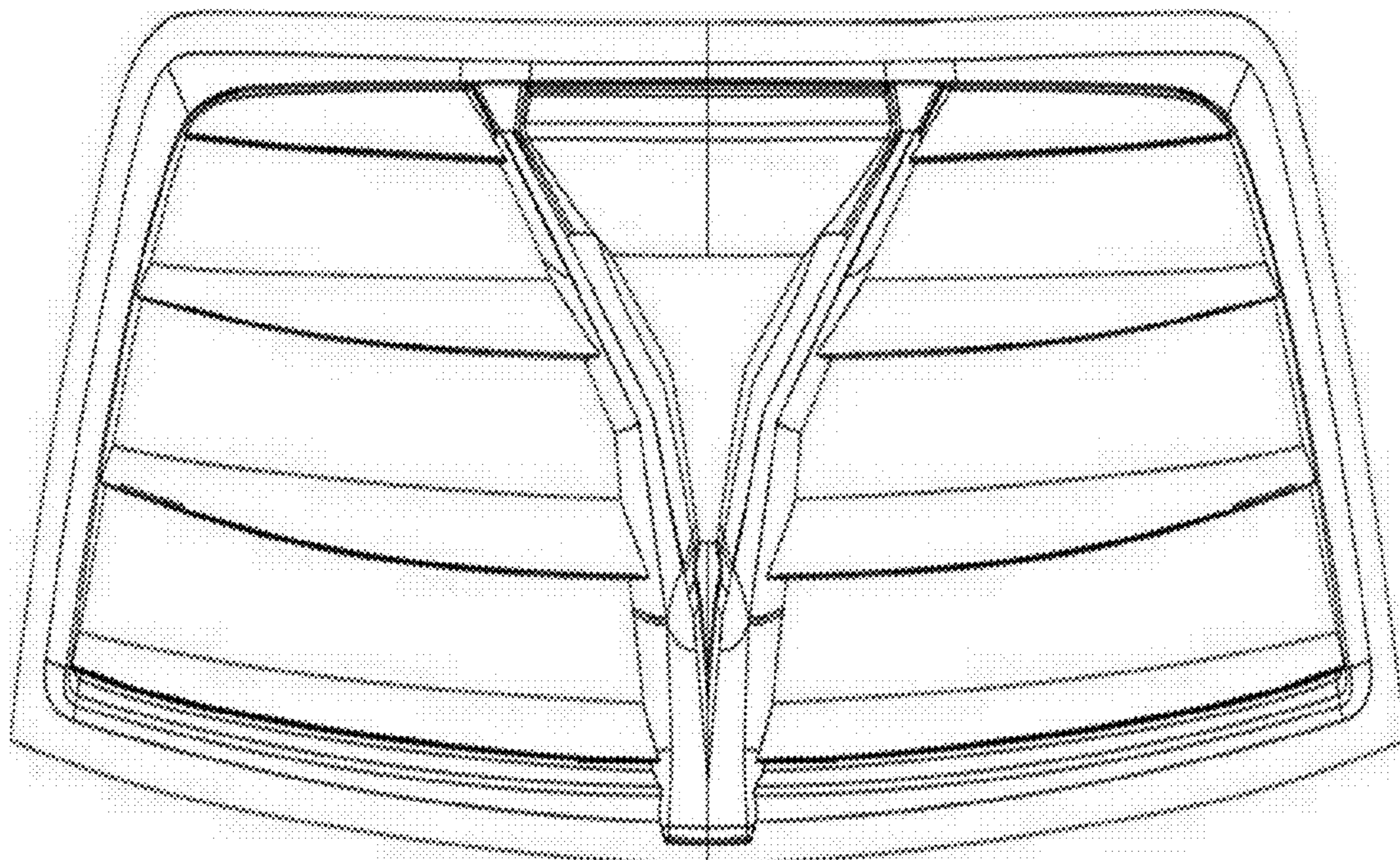
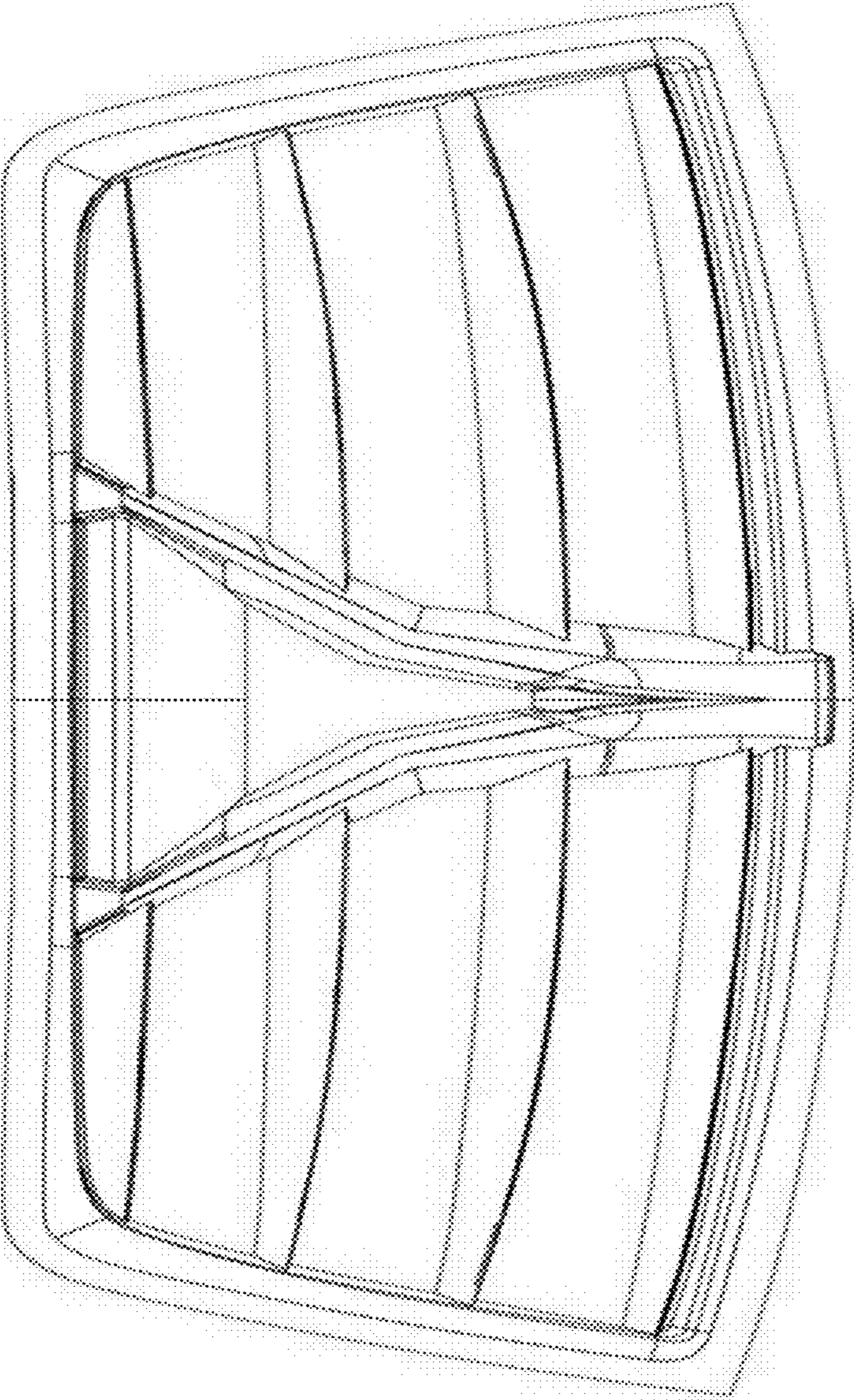


FIG. 1



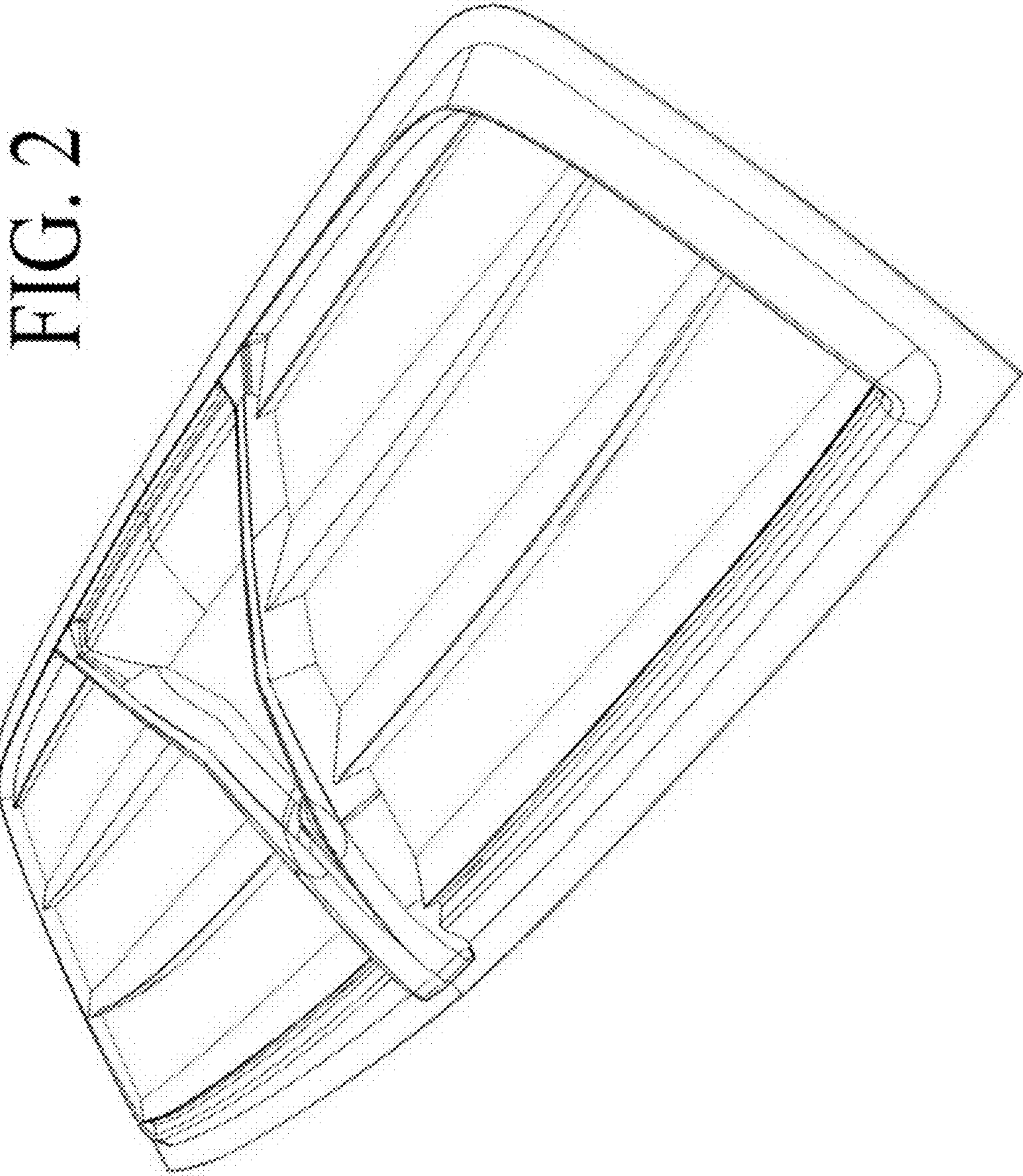


FIG. 2

FIG. 3

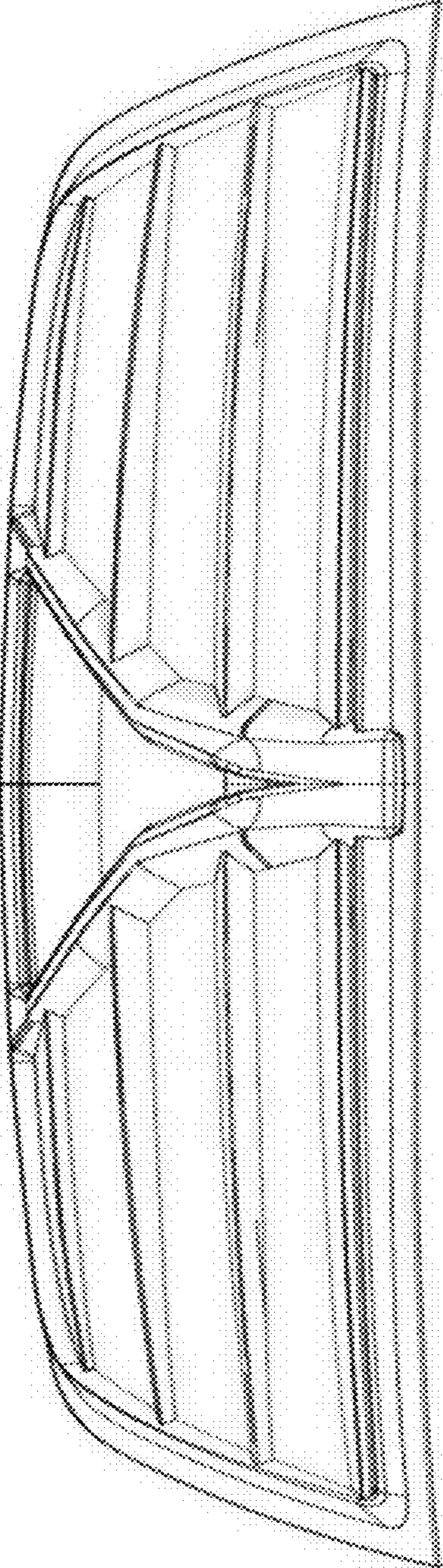


FIG. 4

