



US00D904253S

(12) **United States Design Patent**
Carmona

(10) **Patent No.:** **US D904,253 S**

(45) **Date of Patent:** **** Dec. 8, 2020**

(54) **VEHICLE SPOILER**

(71) Applicant: **Genesis Supreme RV, Inc.**, Perris, CA (US)

(72) Inventor: **Pablo Carmona**, Perris, CA (US)

(73) Assignee: **GENESIS SUPREME RV, INC.**, Perris, CA (US)

(**) Term: **15 Years**

(21) Appl. No.: **29/707,744**

(22) Filed: **Sep. 30, 2019**

(51) **LOC (12) Cl.** **12-16**

(52) **U.S. Cl.**
USPC **D12/181**

(58) **Field of Classification Search**
USPC D12/181, 182, 183, 184, 191, 400
CPC B32B 3/00; B60S 9/205
See application file for complete search history.

(56) **References Cited**

U.S. PATENT DOCUMENTS

D600,606 S *	9/2009	Lamm	D12/169
D733,375 S *	6/2015	Uk	D32/28
D784,877 S *	4/2017	Lee	D12/181
D816,562 S *	5/2018	Whitla	D12/169

D826,112 S *	8/2018	DiCanzio	D12/169
D847,706 S *	5/2019	Von Holzhausen	D12/169
D871,984 S *	1/2020	Munsell	D12/181
D882,466 S *	4/2020	Yong	D12/169
D885,272 S *	5/2020	Smith	D12/181
D886,011 S *	6/2020	Metros	D12/181
D889,327 S *	7/2020	Lu	D12/169
D891,333 S *	7/2020	Baum	D12/181

* cited by examiner

Primary Examiner — Katrina A Betton

(74) *Attorney, Agent, or Firm* — Loza & Loza, LLP;
Heidi L. Eisenhut

(57) **CLAIM**

The ornamental design for a vehicle spoiler, as shown and described.

DESCRIPTION

FIG. 1 is a front bottom left perspective of a vehicle spoiler showing my new design;
FIG. 2 is a front bottom right perspective view thereof;
FIG. 3 is a front bottom left perspective view thereof;
FIG. 4 is a front elevation view with no view of rear thereof;
FIG. 5 is a left side elevation view thereof;
FIG. 6 is a right side elevation view thereof;
FIG. 7 is a top plan view thereof; and,
FIG. 8 is a bottom plan view thereof.

The broken lines show of a vehicle and fragmentary portions of the vehicle in FIGS. 1-3 are for illustrative purposes only and forms no part of the claimed design.

1 Claim, 4 Drawing Sheets

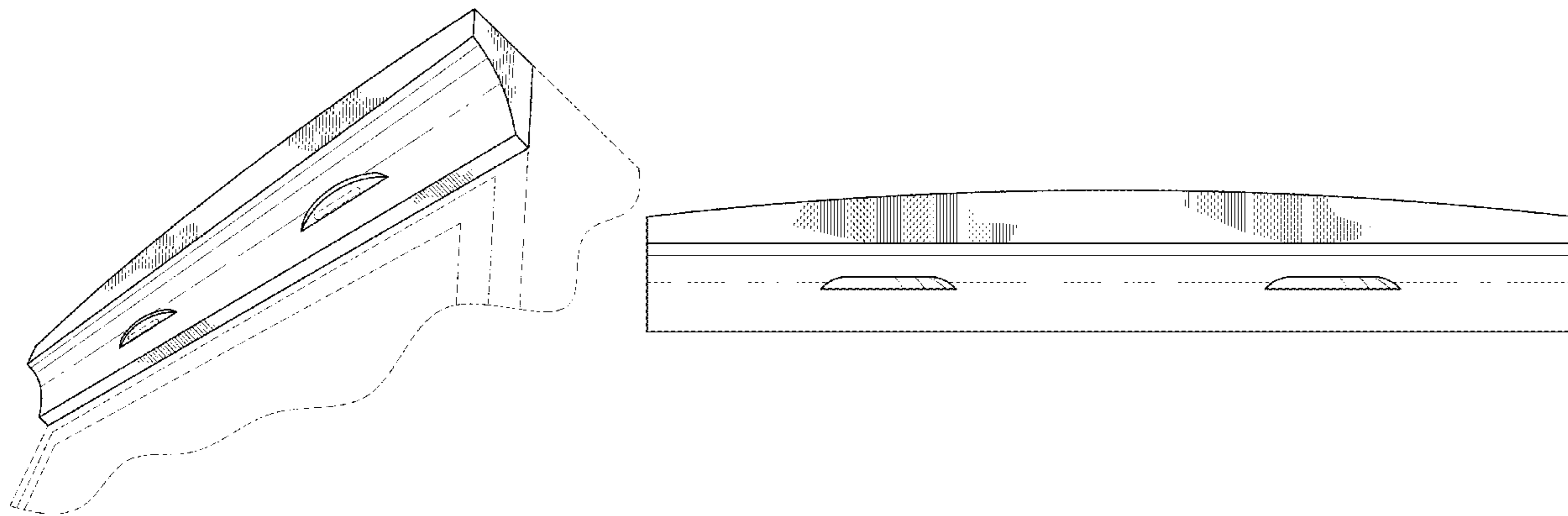


FIG. 1

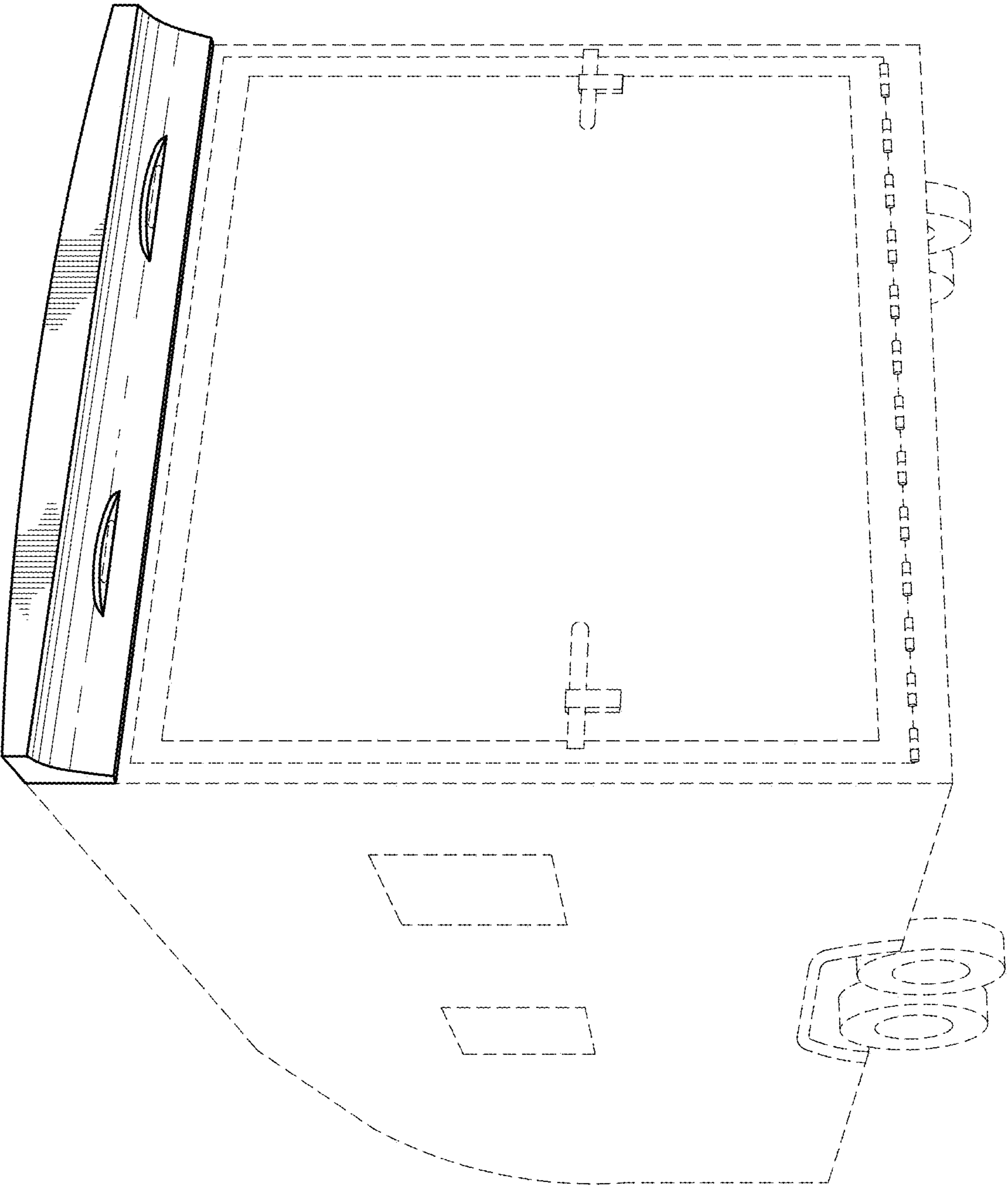


FIG. 2

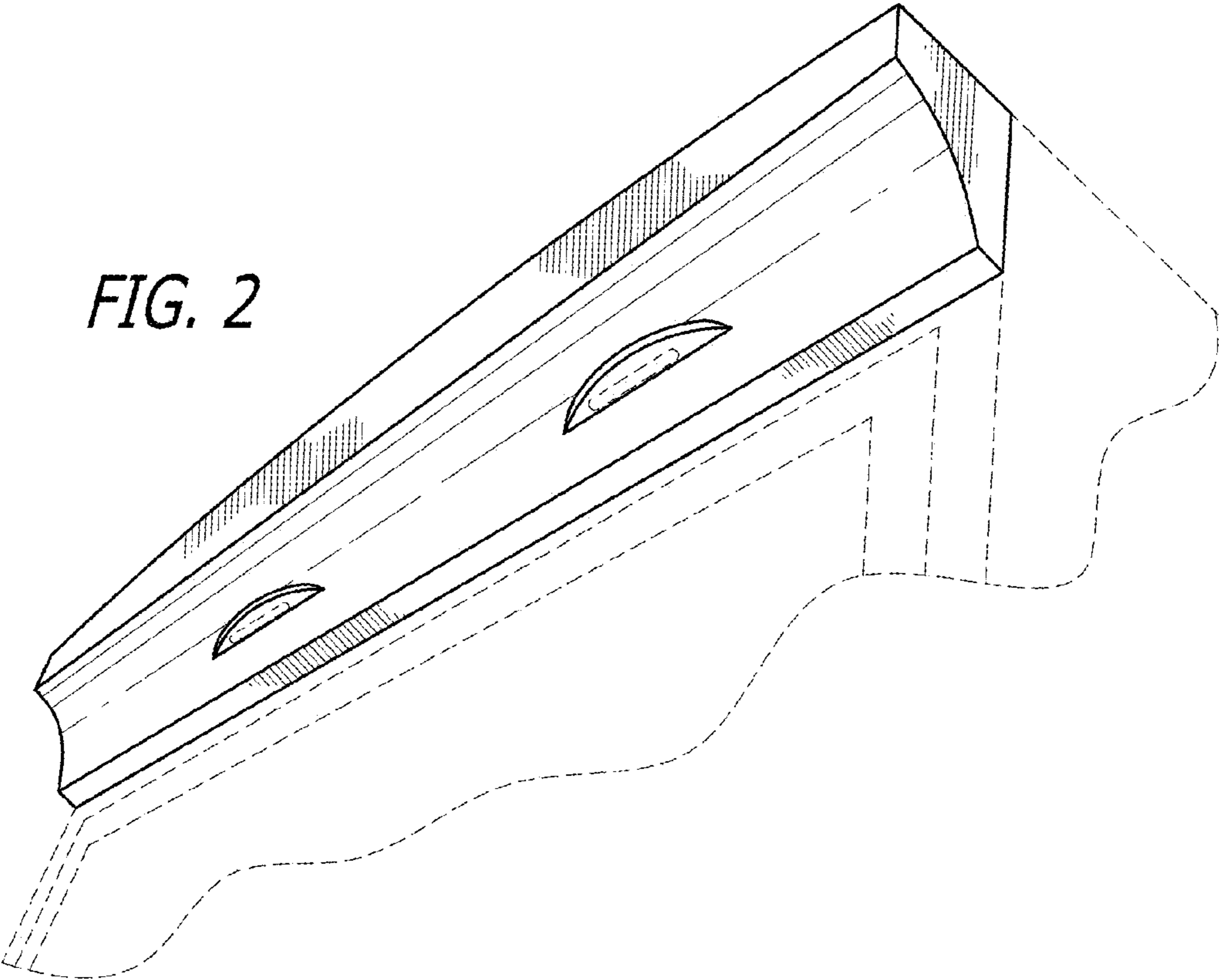
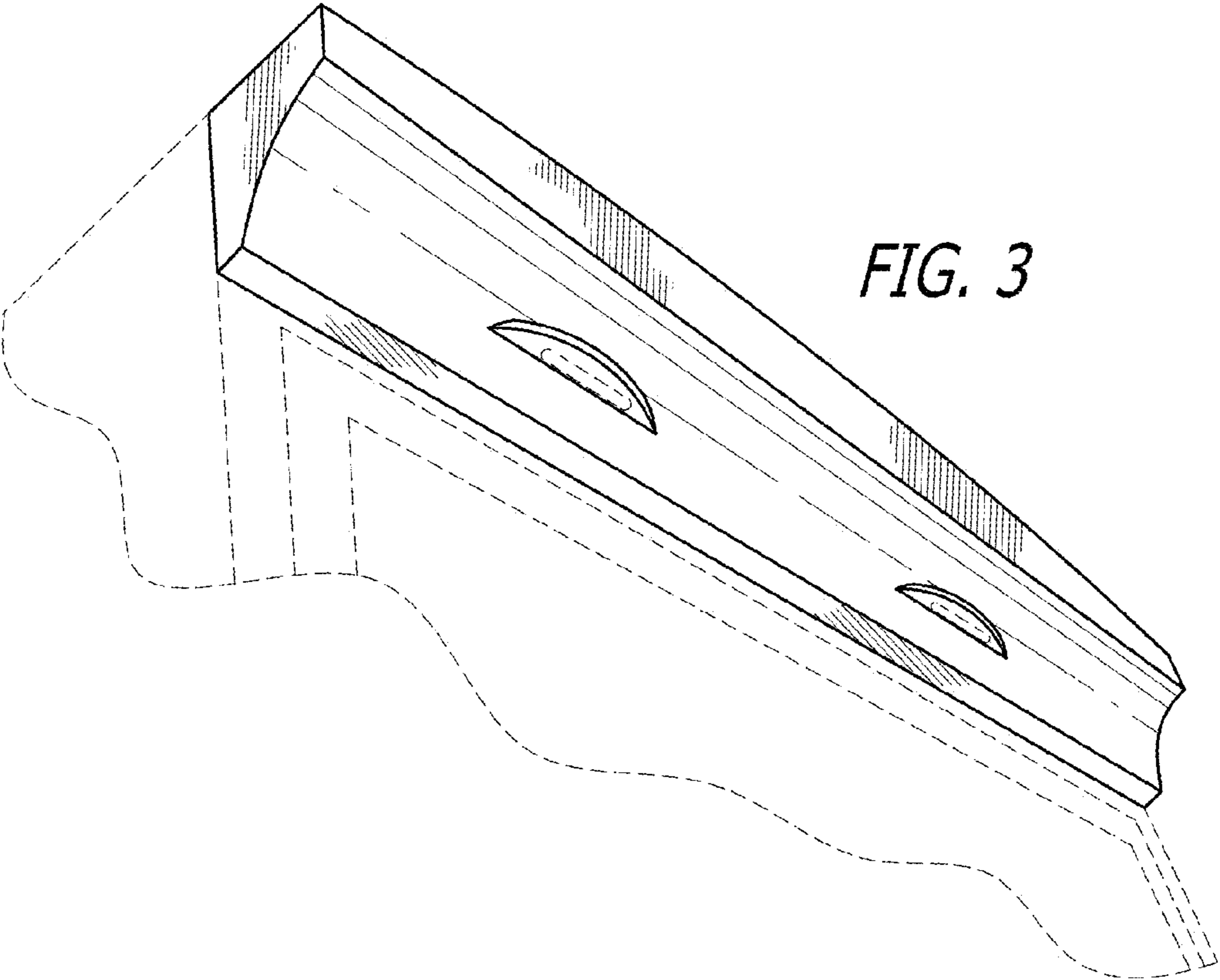


FIG. 3



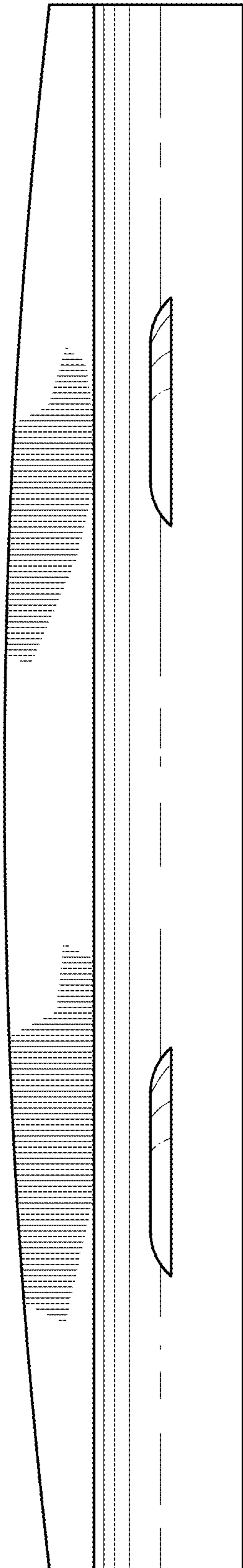


FIG. 4

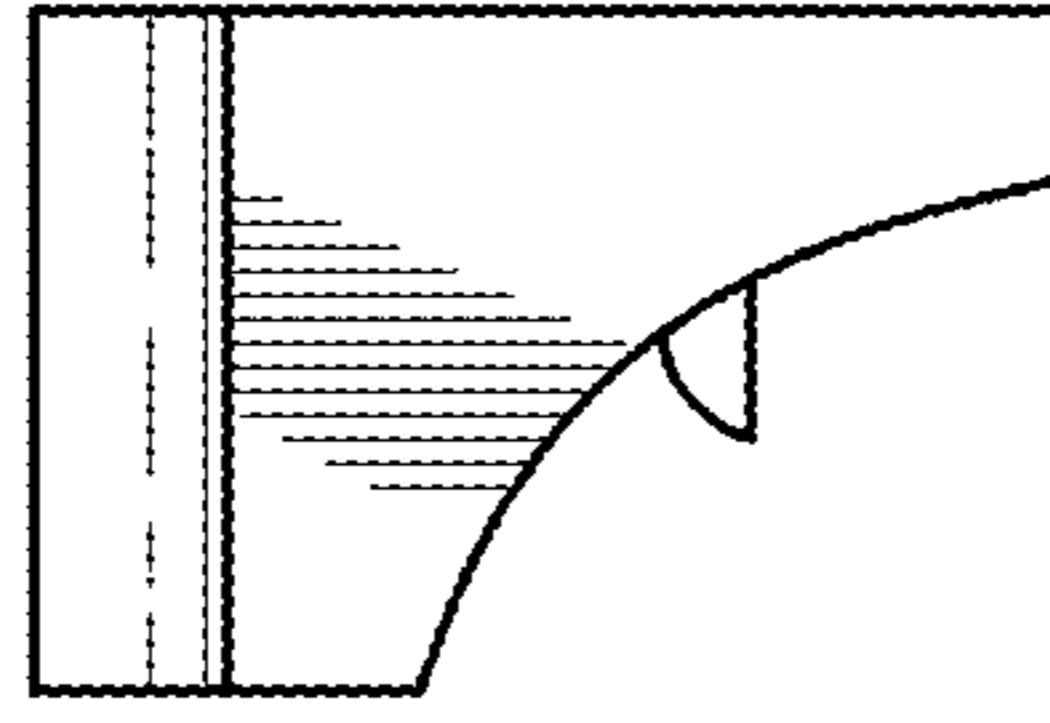


FIG. 6

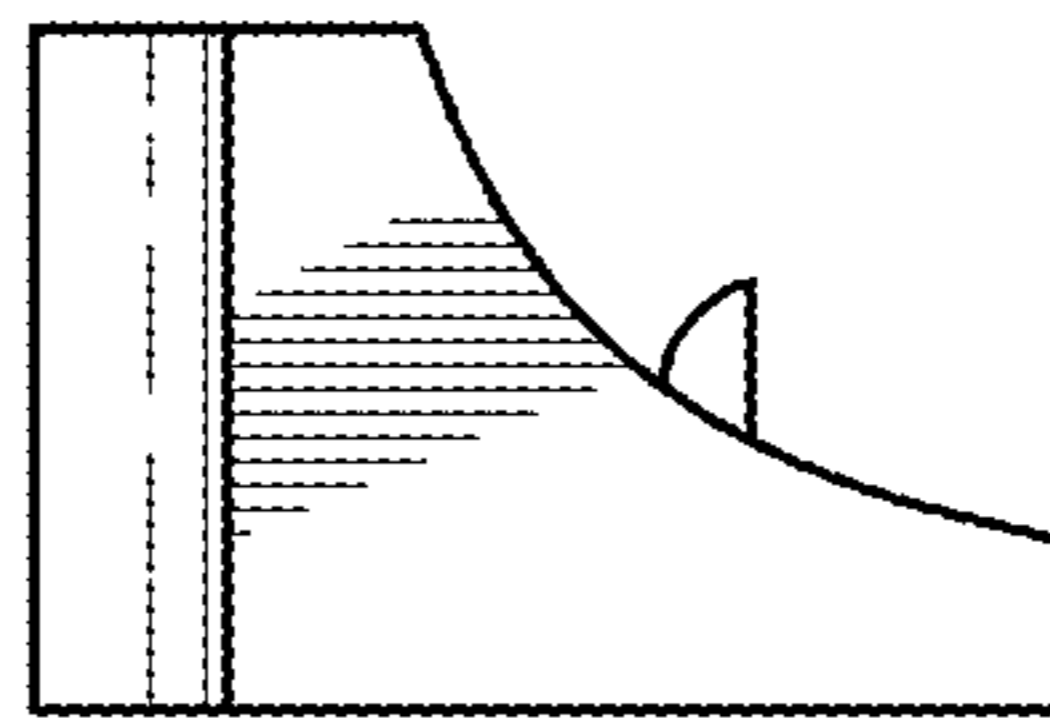


FIG. 5

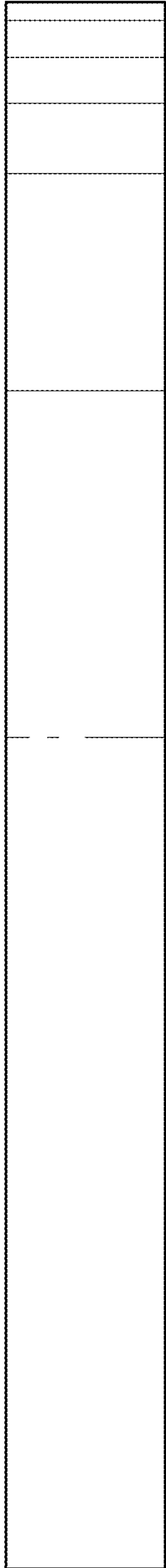


FIG. 7

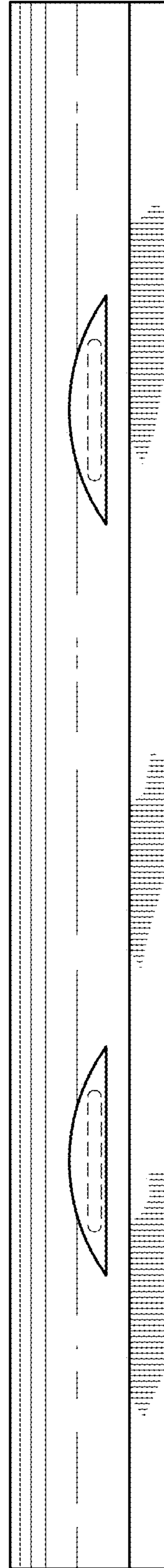


FIG. 8