

US00D904250S

(12) **United States Design Patent** (10) **Patent No.:** **US D904,250 S**
Wheel (45) **Date of Patent:** **** Dec. 8, 2020**

- (54) **LOWER REAR BUMPER FOR A VEHICLE**
- (71) Applicant: **Jaguar Land Rover Limited**, Coventry (GB)
- (72) Inventor: **Andrew Wheel**, Coventry (GB)
- (73) Assignee: **Jaguar Land Rover Limited**, Whitley (GB)
- (**) Term: **15 Years**
- (21) Appl. No.: **29/721,294**
- (22) Filed: **Jan. 20, 2020**

Related U.S. Application Data

- (62) Division of application No. 29/682,436, filed on Mar. 5, 2019, now Pat. No. Des. 875,625, which is a
(Continued)

Foreign Application Priority Data

- Nov. 11, 2016 (EM) 003459270-0004
- Nov. 11, 2016 (EM) 003459270-0005
- Nov. 11, 2016 (EM) 003459270-0006
- (51) **LOC (12) Cl.** **12-16**
- (52) **U.S. Cl.**
USPC **D12/169**
- (58) **Field of Classification Search**
USPC D12/173, 169, 92, 163, 216, 90-91, 86,
D12/171, 196
(Continued)

References Cited

U.S. PATENT DOCUMENTS

- D692,799 S * 11/2013 Smith D12/92
- D698,283 S * 1/2014 Palm D12/92
(Continued)

OTHER PUBLICATIONS

Ramsey, Jonathon. "First Drive: 2012 Range Rover Evoque." Autoblog, published Aug. 16, 2011 (Retrieved from the Internet Apr. 22, 2020). Internet URL: <https://www.autoblog.com/2011/08/16/2012-range-rover-evoque-first-drive-review/#slide-1757479> (Year: 2011).*

(Continued)

Primary Examiner — Jack Reickel

Assistant Examiner — Rachel A Voorhies

(74) *Attorney, Agent, or Firm* — Wood Herron & Evans LLP

(57) **CLAIM**

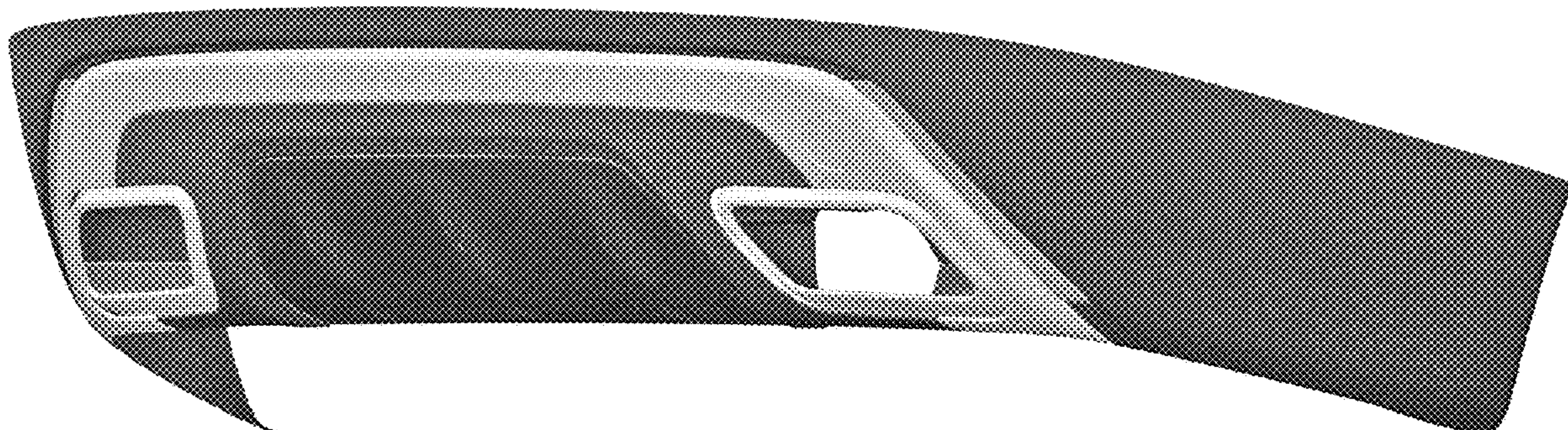
The ornamental design for a lower rear bumper for a vehicle, as shown and described.

DESCRIPTION

FIG. 1 is a right front perspective view of a lower rear bumper for a vehicle according to the present invention. FIG. 2 is a left front perspective view of the lower rear bumper for a vehicle shown in FIG. 1. FIG. 3 is a right rear perspective view thereof. FIG. 4 is a left rear perspective view thereof. FIG. 5 is a front view thereof. FIG. 6 is a rear view thereof. FIG. 7 is a right left side view thereof. FIG. 8 is a left side view thereof. FIG. 9 is a top view thereof. FIG. 10 is a bottom view thereof; and, FIG. 11 is a right front perspective view of the lower rear bumper for a vehicle shown in FIGS. 1-10, mounted on a vehicle, with the rest of the vehicle shown in de-emphasized and half-tone portions so as to illustrate environmental structure.

These portions form no part of the claimed design. More particularly, in FIG. 11, the inventive lower rear bumper for a vehicle is shown within the broken line, and the elements

(Continued)



shown outside the broken line form no part of the claimed design, but are instead included to show environmental aspects thereof.

1 Claim, 11 Drawing Sheets

Related U.S. Application Data

division of application No. 29/602,974, filed on May 5, 2017, now Pat. No. Des. 844,584.

(58) **Field of Classification Search**
 CPC B60R 19/02; B60R 19/04; B62D 25/08
 See application file for complete search history.

(56) **References Cited**

U.S. PATENT DOCUMENTS

D698,708 S *	2/2014	Rupar	D12/169
D749,468 S *	2/2016	Frascella	D12/169
D776,021 S *	1/2017	Kapitonov	D12/169
D779,379 S *	2/2017	Jelec	D12/92
D784,231 S *	4/2017	Henstridge	D12/196
D786,746 S *	5/2017	Wheel	D12/169
D790,398 S *	6/2017	Perini	D12/88
D805,960 S *	12/2017	Wheel	D12/91
D810,637 S *	2/2018	Wheel	D12/169
D811,962 S *	3/2018	Sullivan	D12/169

D817,817 S *	5/2018	Frascella	D12/91
D822,553 S *	7/2018	Austin	D12/169
D832,157 S *	10/2018	Svensson	D12/169
D844,584 S *	4/2019	Wheel	D12/169
D862,312 S *	10/2019	Frascella	D12/164
D867,930 S *	11/2019	Kwon	D12/91
D870,002 S *	12/2019	Bucher	D12/169
D875,625 S *	2/2020	Wheel	D12/169
D880,362 S *	4/2020	Hayashi	D12/92
D881,754 S *	4/2020	Park	D12/91
D881,756 S *	4/2020	Pena	D12/91

OTHER PUBLICATIONS

Burkart, Tom. "2016 Nissan Maxima Rear Bumper Diffuser." Car Revs Daily, published Jun. 19, 2015 (Retrieved from the Internet Apr. 22, 2020). Internet URL: <<https://www.car-revs-daily.com/2015/19/2016-nissan-maxima-sr-black-pack/2016-nissan-maxima-rear-bumper-diffuser-zoom-hd-copy/>> (Year: 2015).*

AutoJosh. "2017 Range Rover Velar: Defying SUV Expectation Range." AutoJosh, published Mar. 6, 2017 (Retrieved from the Internet Apr. 22, 2020). Internet URL: <<https://autojosh.com/2017-range-rover-velar/>> (Year: 2017).*

Clarkson, Jeremy. "The Jeremy Clarkson Review: 2018 Range Rover Velar." Driving.co.uk, published Jun. 27, 2018 (Retrieved from the Internet Apr. 22, 2020). Internet URL: <<https://www.driving.co.uk/car-reviews/jeremy-clarkson-review-2018-range-rover-velar/>> (Year: 2018).*

* cited by examiner

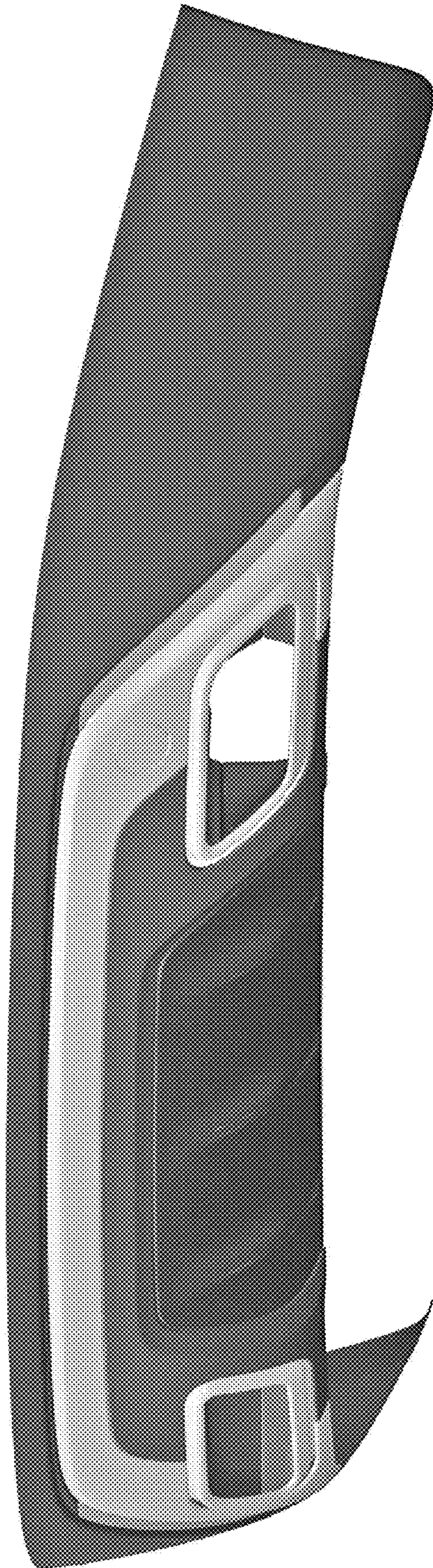


FIG. 1

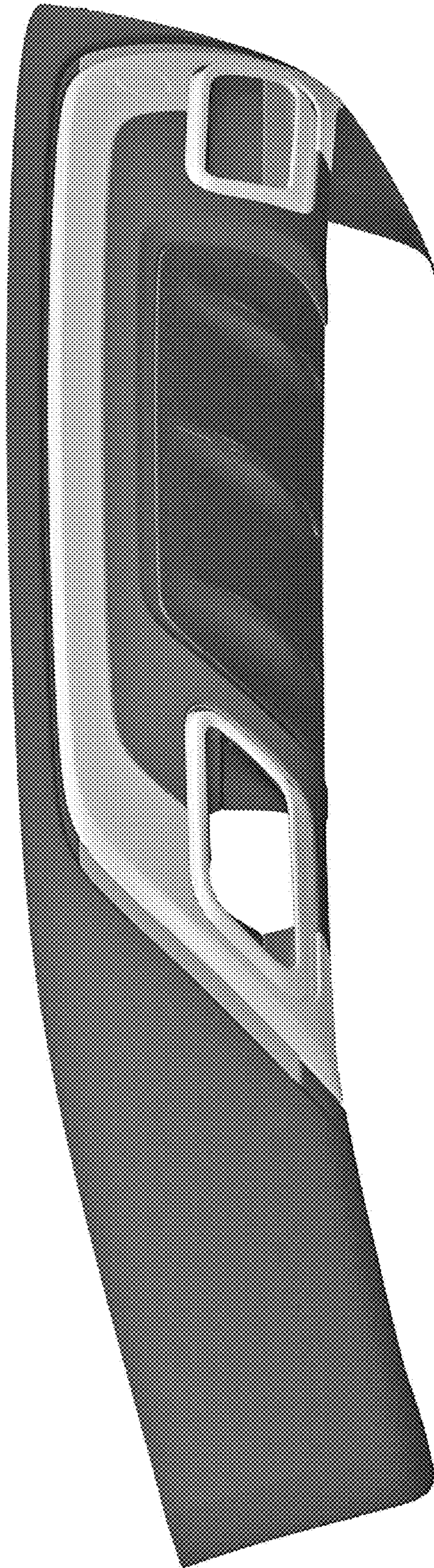


FIG. 2

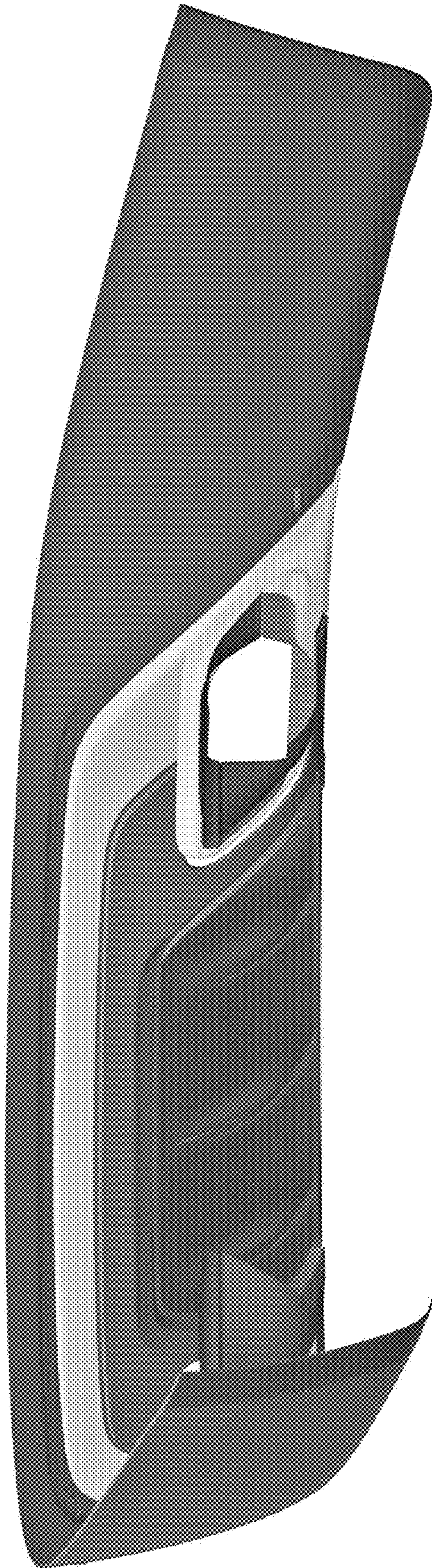


FIG. 3

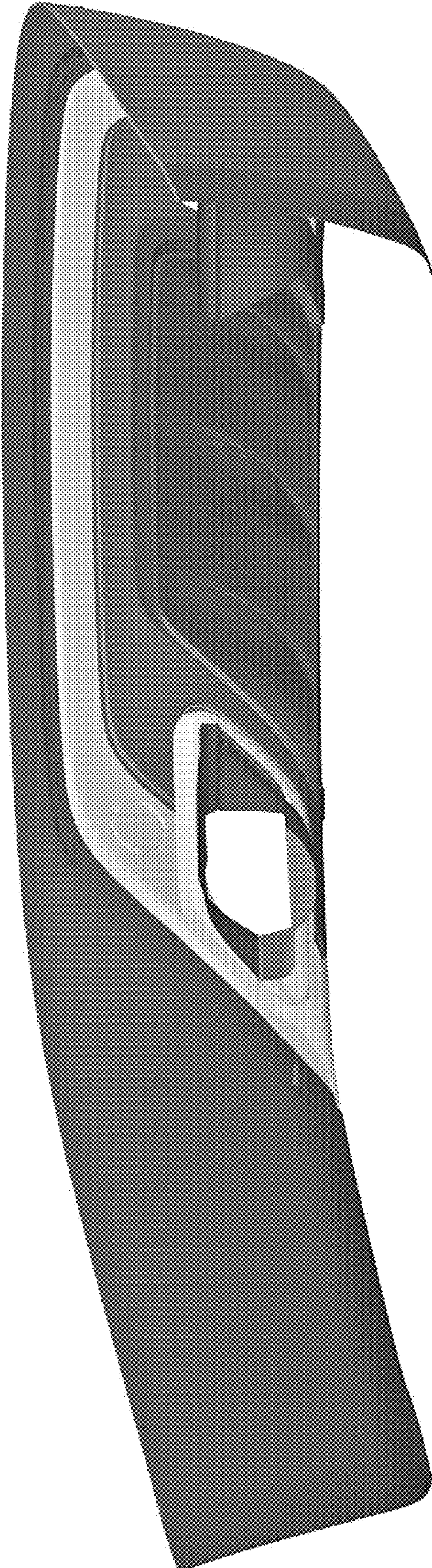


FIG. 4

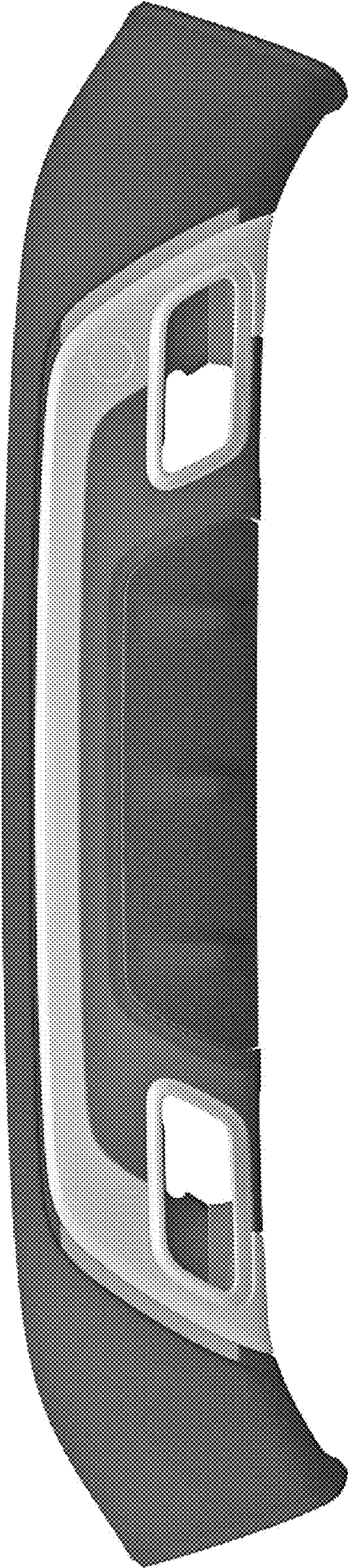


FIG. 5

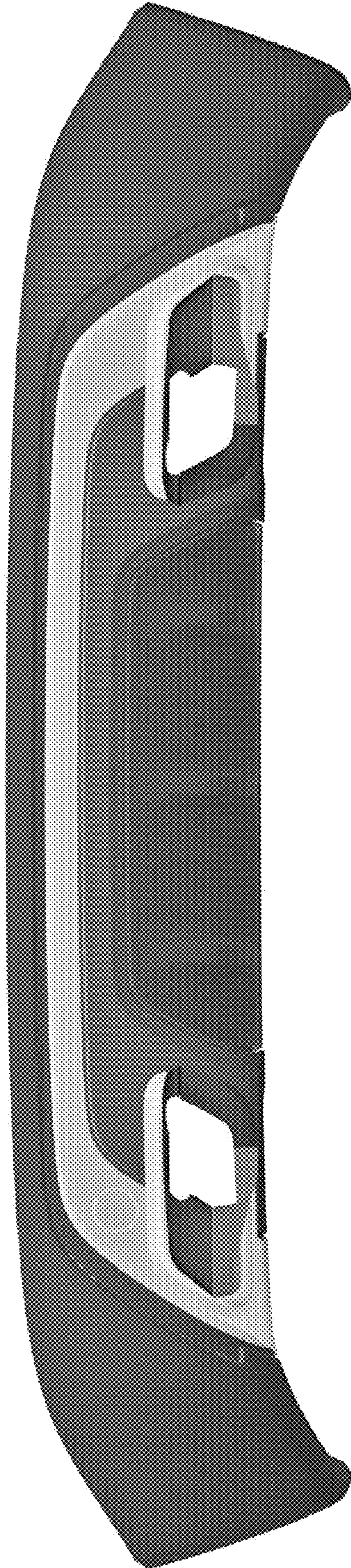


FIG. 6



FIG. 7



FIG. 8

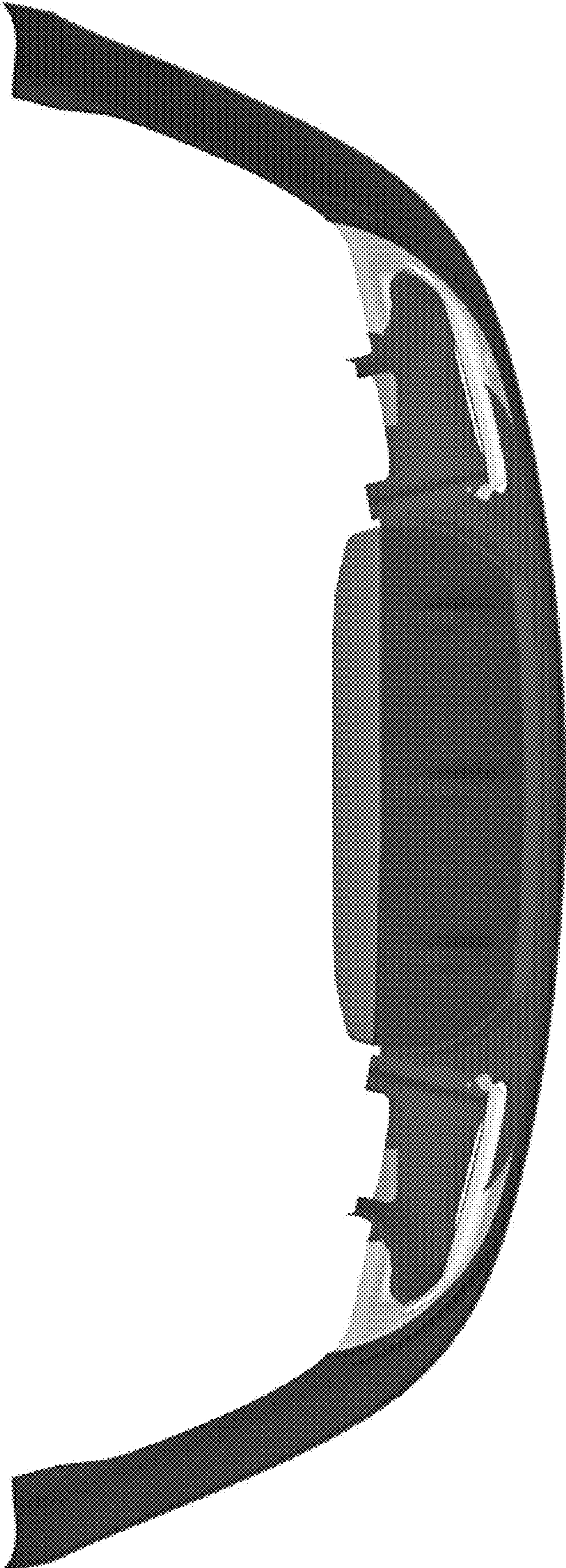


FIG. 9

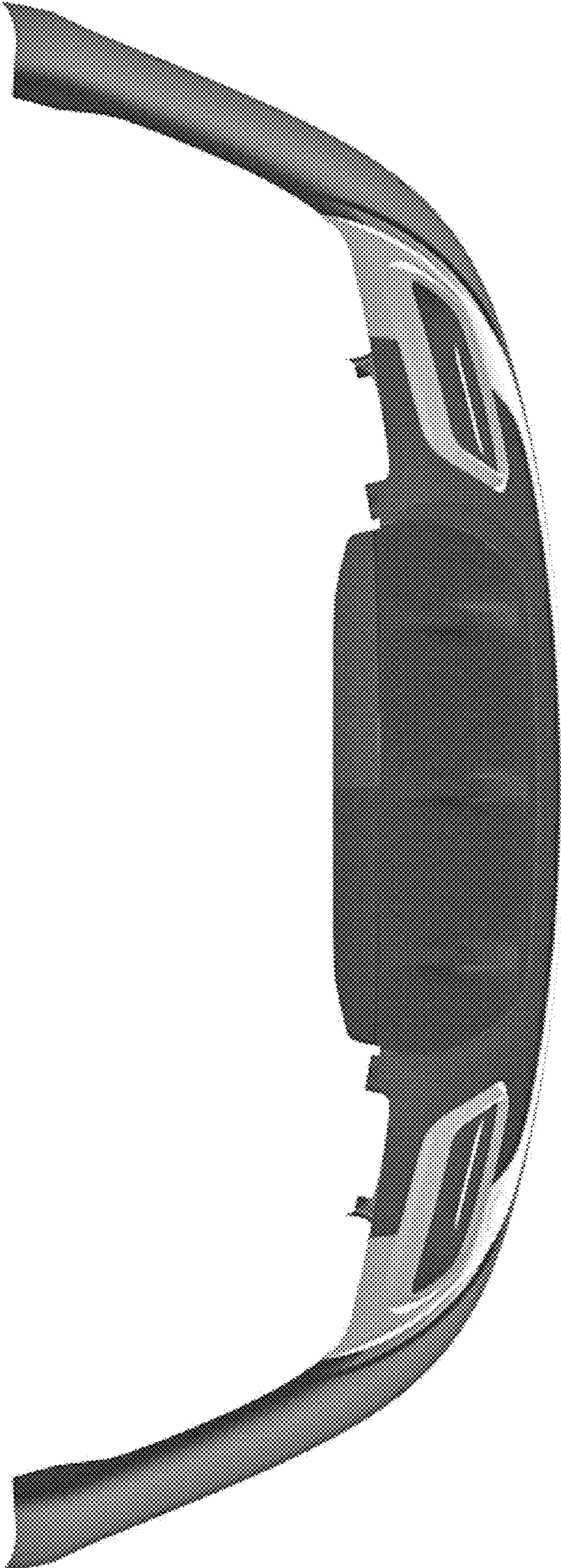


FIG. 10

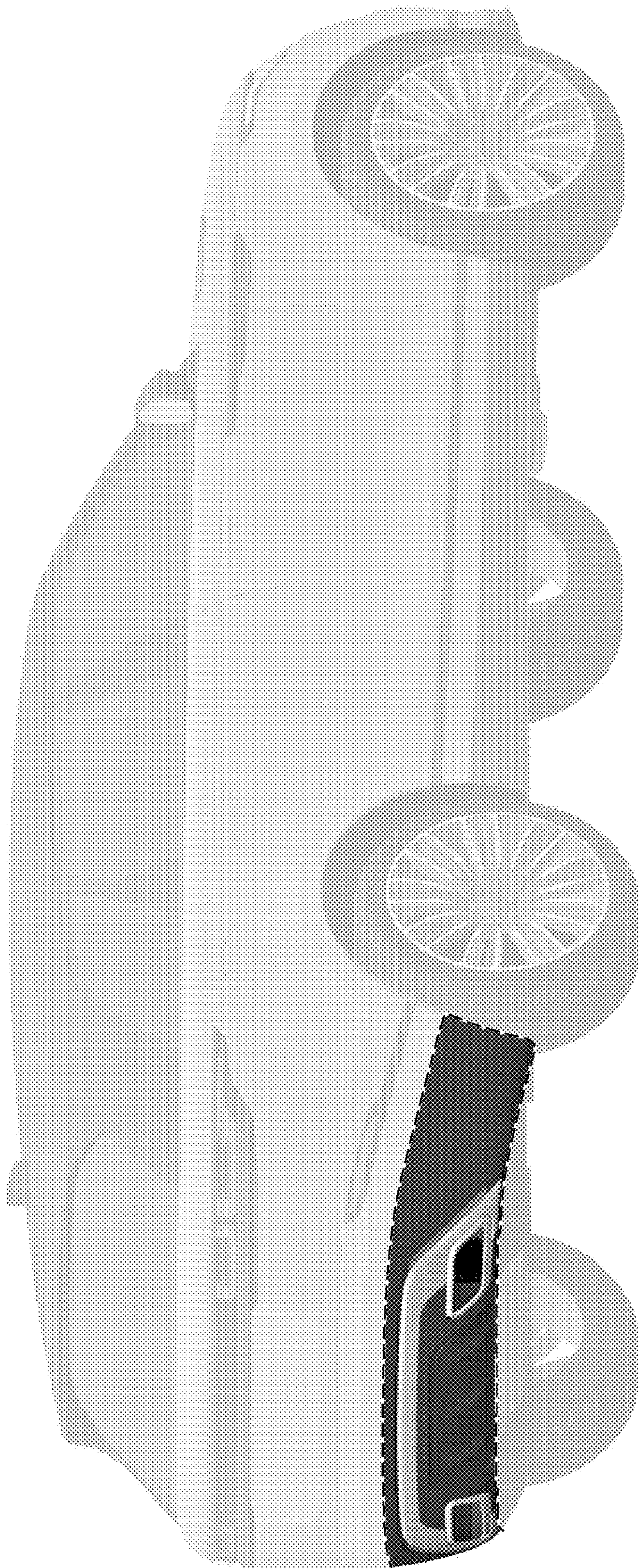


FIG. 11