



US00D904249S

(12) **United States Design Patent** (10) **Patent No.:** **US D904,249 S**  
**Bischoff et al.** (45) **Date of Patent:** **\*\* Dec. 8, 2020**

(54) **VEHICLE BUMPER**  
(71) Applicant: **VOLKSWAGEN AKTIENGESELLSCHAFT, Wolfsburg (DE)**  
(72) Inventors: **Klaus Bischoff, Wolfsburg (DE); Frank Josef Brüse, Wolfsburg (DE)**  
(73) Assignee: **VOLKSWAGEN AKTIENGESELLSCHAFT, Wolfsburg (DE)**  
(\*\*) Term: **15 Years**

D712,322 S \* 9/2014 Kobayashi ..... D12/169  
D721,305 S \* 1/2015 George ..... D12/169  
D721,306 S \* 1/2015 George ..... D12/169  
D722,926 S \* 2/2015 Kato ..... D12/169  
D723,435 S \* 3/2015 Thole ..... D12/169  
D726,602 S \* 4/2015 Rupar ..... D12/169  
D729,707 S \* 5/2015 Thole ..... D12/169  
D762,532 S \* 8/2016 Tsutamori ..... D12/169  
D774,428 S \* 12/2016 Davidson ..... D12/169  
D786,149 S \* 5/2017 Pevovar ..... D12/169  
D788,657 S \* 6/2017 Oohashi ..... D12/169  
D792,815 S \* 7/2017 Kozub ..... D12/169  
D792,816 S \* 7/2017 Kozub ..... D12/169  
D793,296 S \* 8/2017 Smith ..... D12/169  
D793,921 S \* 8/2017 Takamatsu ..... D12/169  
D793,924 S \* 8/2017 Sagawa ..... D12/169  
D797,019 S \* 9/2017 Yamashita ..... D12/169

(Continued)

(21) Appl. No.: **29/718,460**

(22) Filed: **Dec. 24, 2019**

(30) **Foreign Application Priority Data**

Jun. 27, 2019 (WO) ..... 084792

(51) **LOC (12) Cl.** ..... **12-16**

(52) **U.S. Cl.**  
USPC ..... **D12/169**

(58) **Field of Classification Search**  
USPC ..... D12/86, 90, 91, 92, 163, 169, 171, 196,  
D12/216; D3/318  
CPC ..... B60R 19/02; B60R 19/04; B62D 25/00;  
B62D 25/06; B62D 25/08; B62D 35/00  
See application file for complete search history.

(56) **References Cited**

**U.S. PATENT DOCUMENTS**

D584,199 S \* 1/2009 Leclercq ..... D12/169  
D598,827 S \* 8/2009 Kanai ..... D12/169  
D626,042 S \* 10/2010 Yamazaki ..... D12/169  
D680,479 S \* 4/2013 Frei ..... D12/169  
D687,752 S \* 8/2013 Fetherston ..... D12/169  
D688,989 S \* 9/2013 Minamisawa ..... D12/169  
D702,161 S \* 4/2014 Hanaoka ..... D12/169

**FOREIGN PATENT DOCUMENTS**

WO DM097097 6/2017

*Primary Examiner* — Susan Bennett Hattan

*Assistant Examiner* — Suzanne E Tisdell

(74) *Attorney, Agent, or Firm* — Lucas & Mercanti, LLP;  
Klaus P. Stoffel

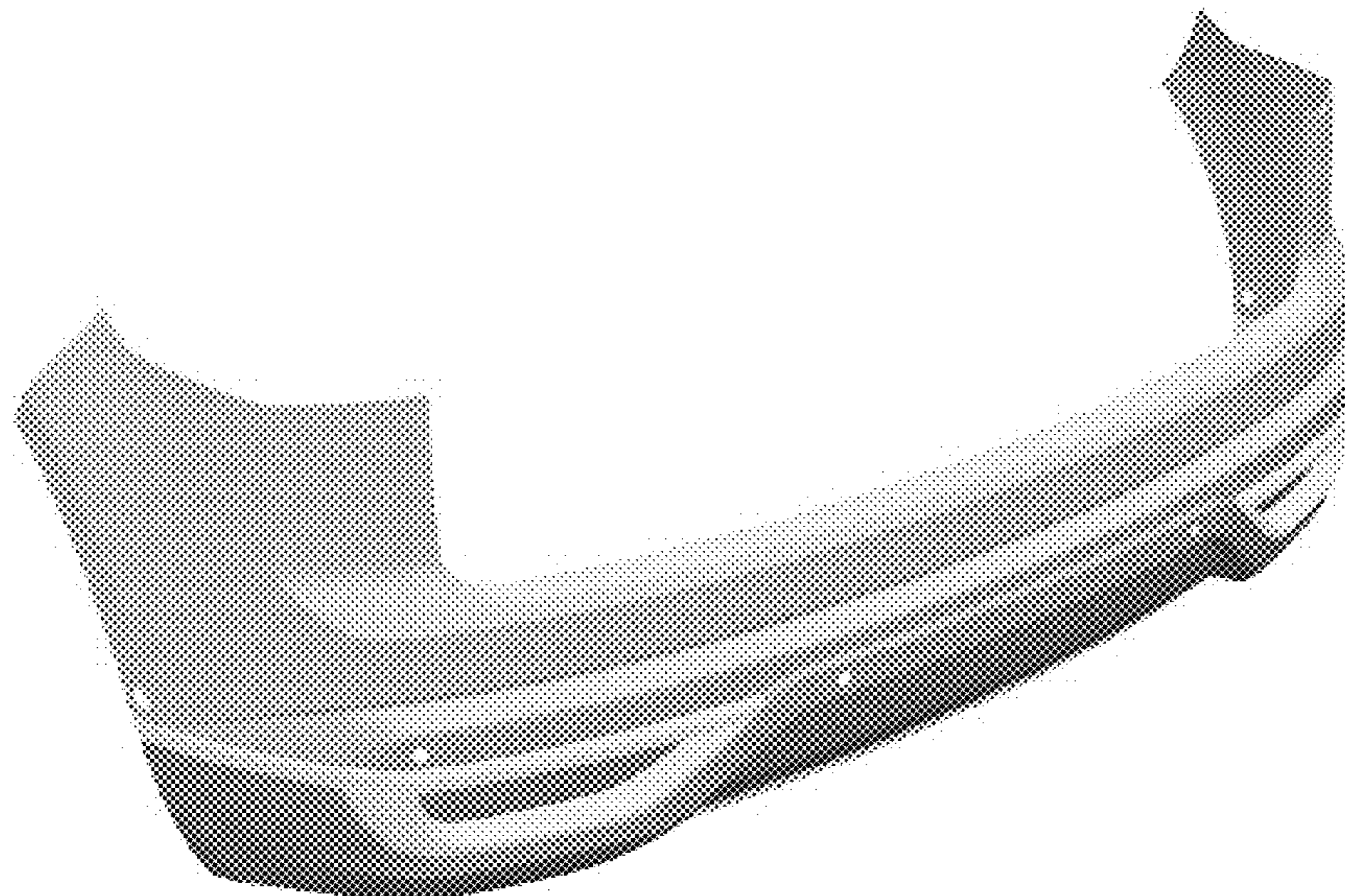
(57) **CLAIM**

The ornamental design for a vehicle bumper, as shown and described.

**DESCRIPTION**

FIG. 1 is a front and left side perspective view of the vehicle bumper of the present invention;  
FIG. 2 is a rear and left side perspective view thereof;  
FIG. 3 is a front view thereof;  
FIG. 4 is a rear view thereof;  
FIG. 5 is a top view thereof;  
FIG. 6 is a bottom view thereof;  
FIG. 7 is a right side view thereof; and,  
FIG. 8 is a left side view thereof.

**1 Claim, 4 Drawing Sheets**



(56)

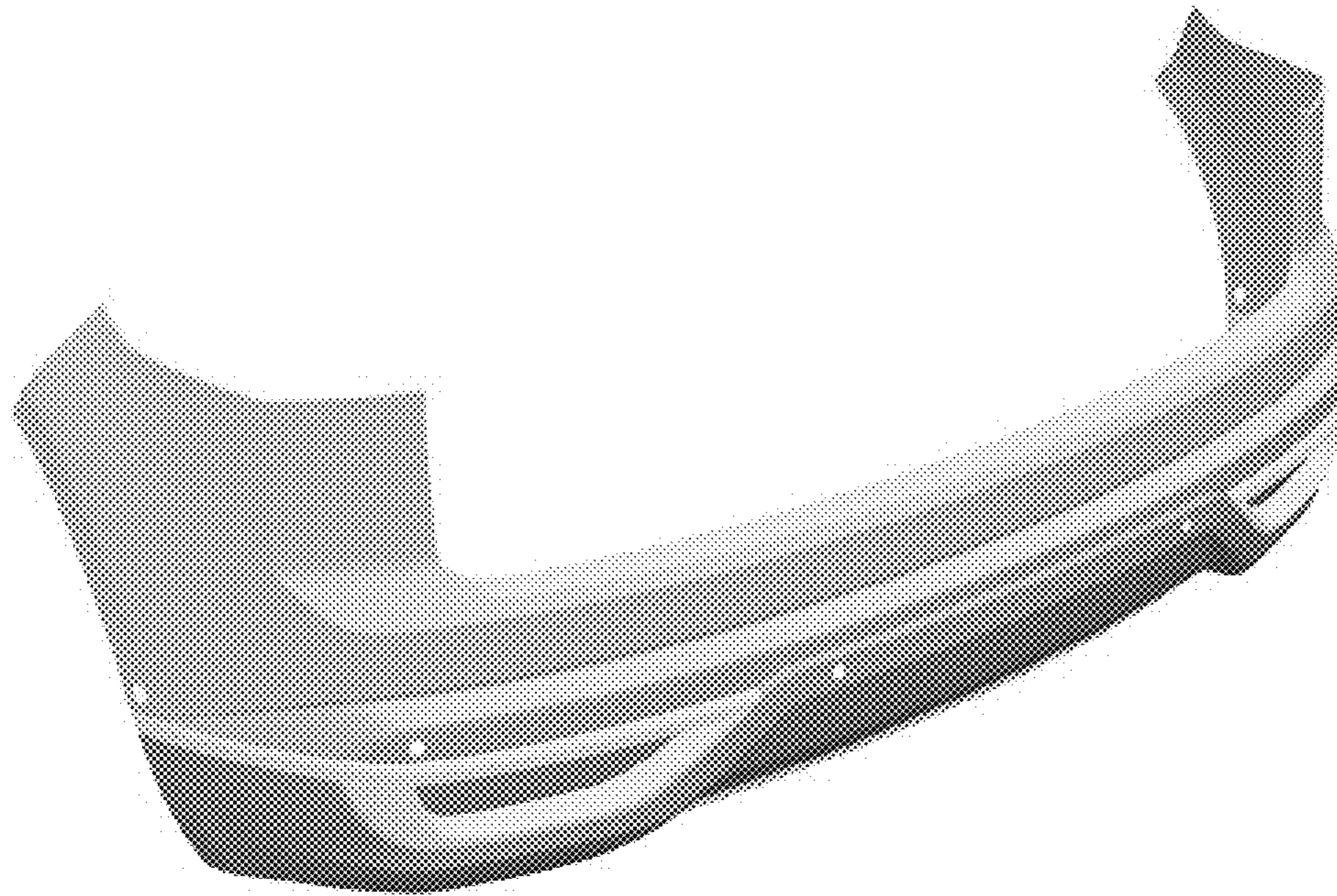
**References Cited**

U.S. PATENT DOCUMENTS

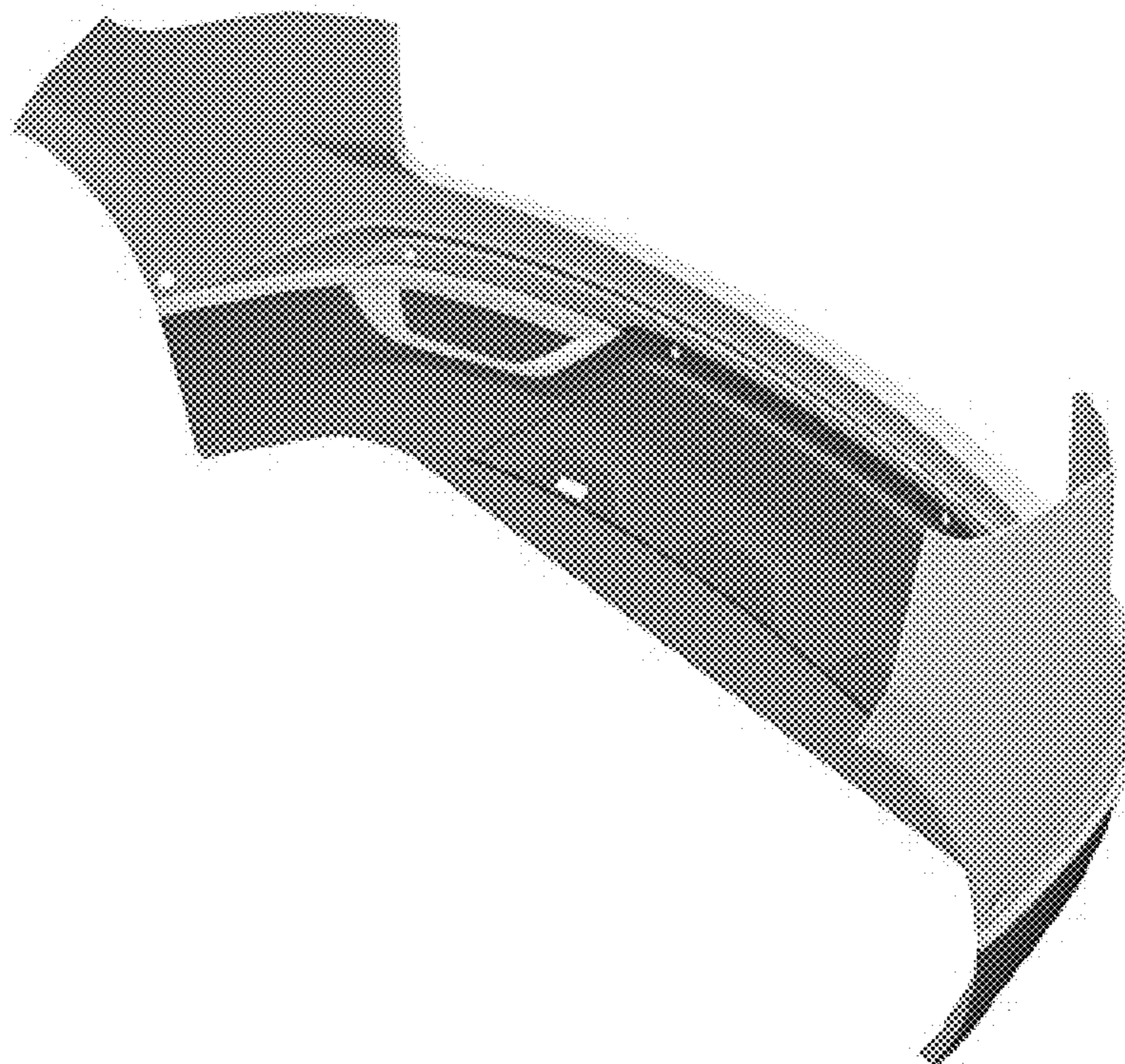
D797,617 S \* 9/2017 Mori ..... D12/169  
D797,618 S \* 9/2017 Suzuki ..... D12/169  
D800,035 S \* 10/2017 Takamatsu ..... D12/169  
D800,614 S \* 10/2017 Park ..... D12/169  
D803,112 S \* 11/2017 Tomita ..... D12/169  
D805,449 S \* 12/2017 Chung ..... D12/169  
D807,248 S \* 1/2018 Piscitelli ..... D12/169  
D807,250 S \* 1/2018 Piscitelli ..... D12/169  
D807,252 S \* 1/2018 Piscitelli ..... D12/169  
D807,254 S \* 1/2018 Piscitelli ..... D12/169  
D807,257 S \* 1/2018 Piscitelli ..... D12/169  
D807,258 S \* 1/2018 Patel ..... D12/169  
2004/0032133 A1 \* 2/2004 Bird ..... B60R 19/14  
293/154  
2006/0249961 A1 \* 11/2006 Flotzinger ..... B60R 19/04  
293/115  
2006/0290169 A1 \* 12/2006 Fukushima ..... B62D 35/00  
296/180.1

\* cited by examiner



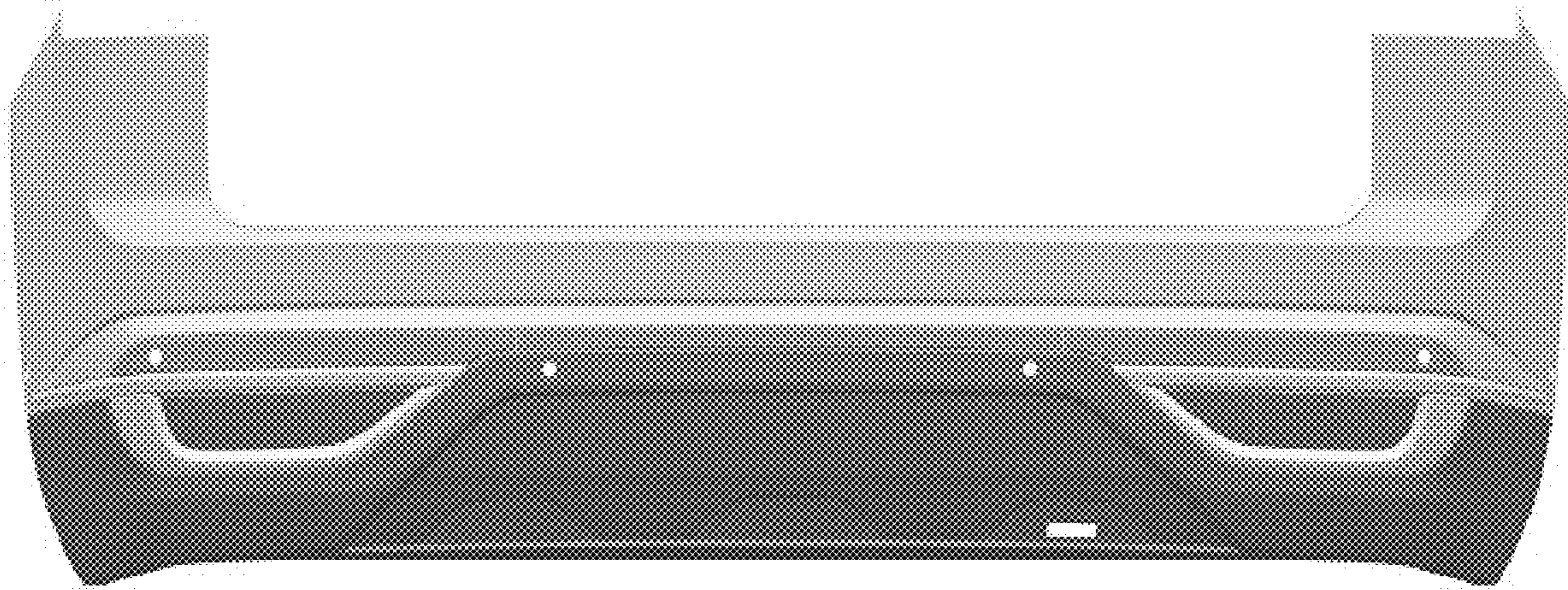


**Fig. 1**

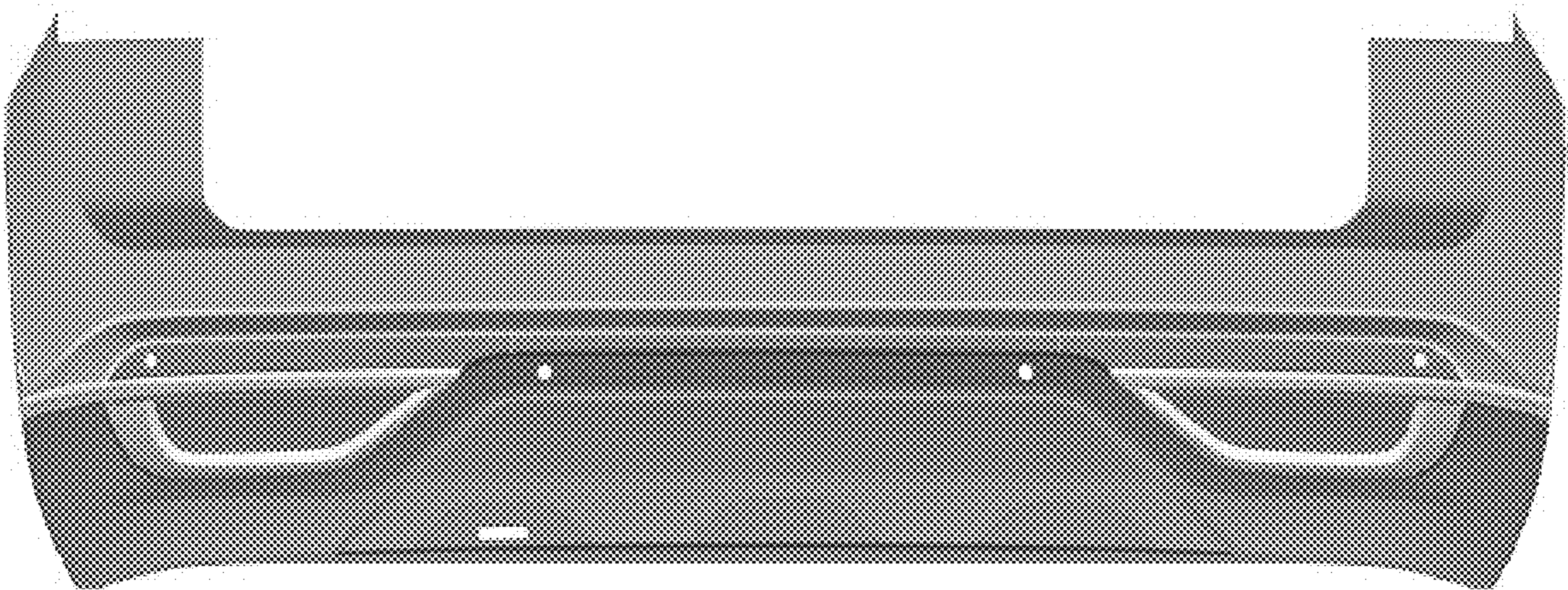


**Fig. 2**



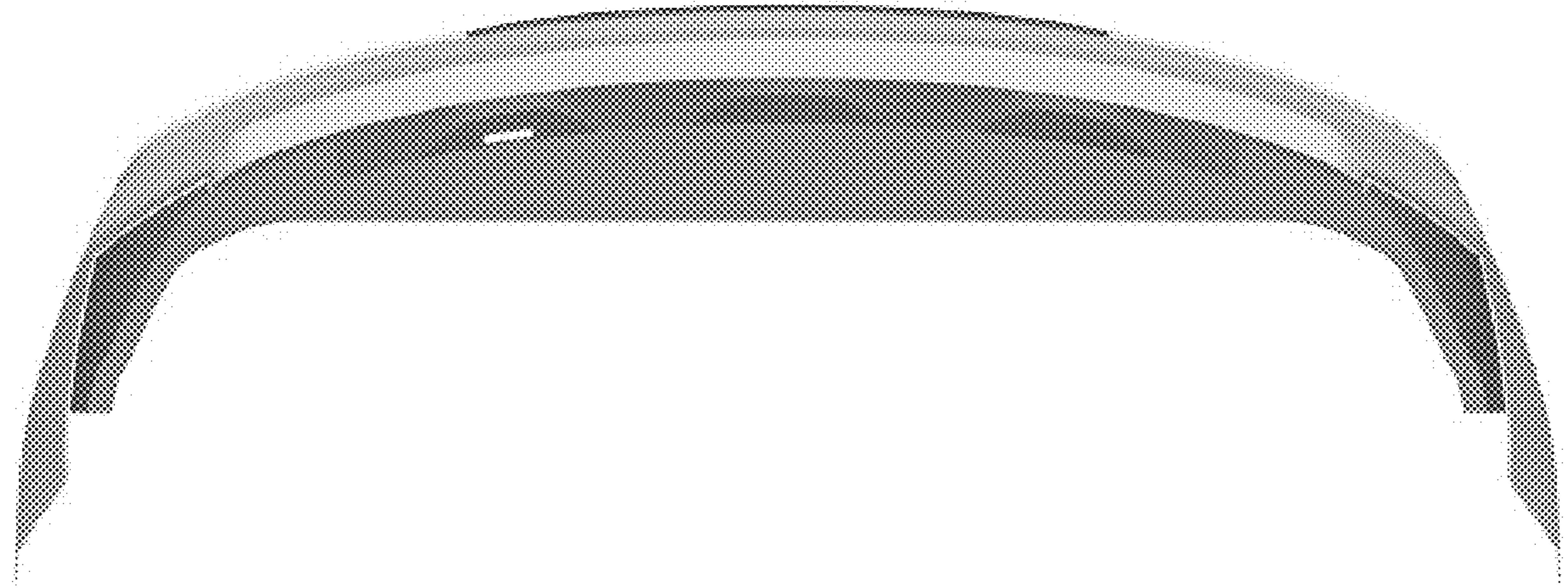


**Fig. 3**

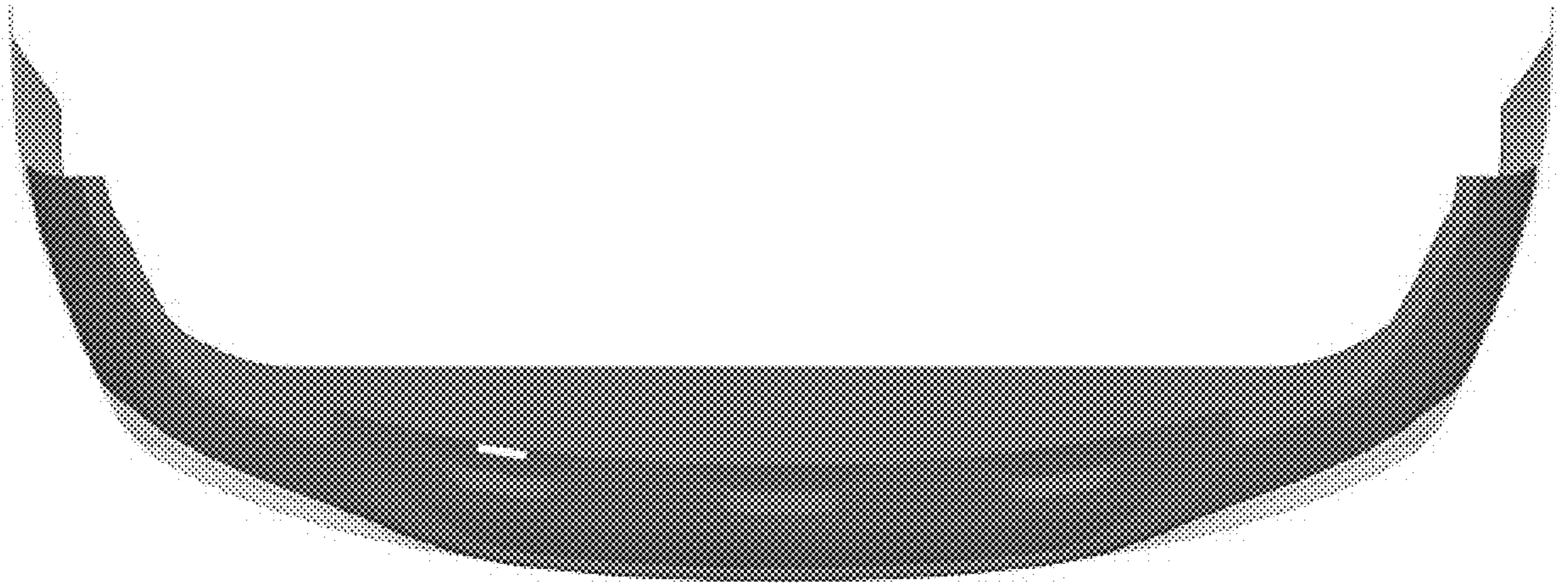


**Fig. 4**

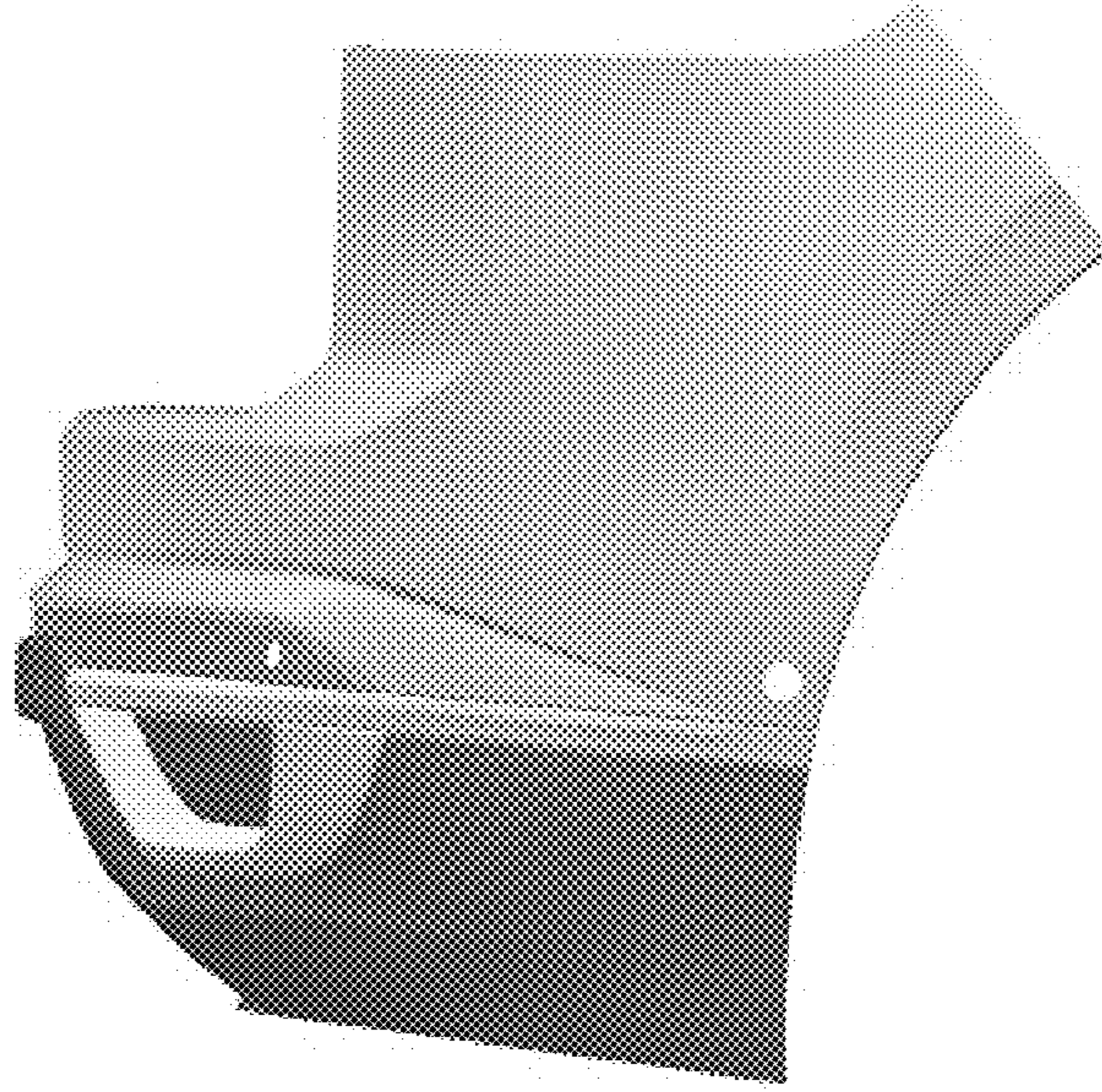




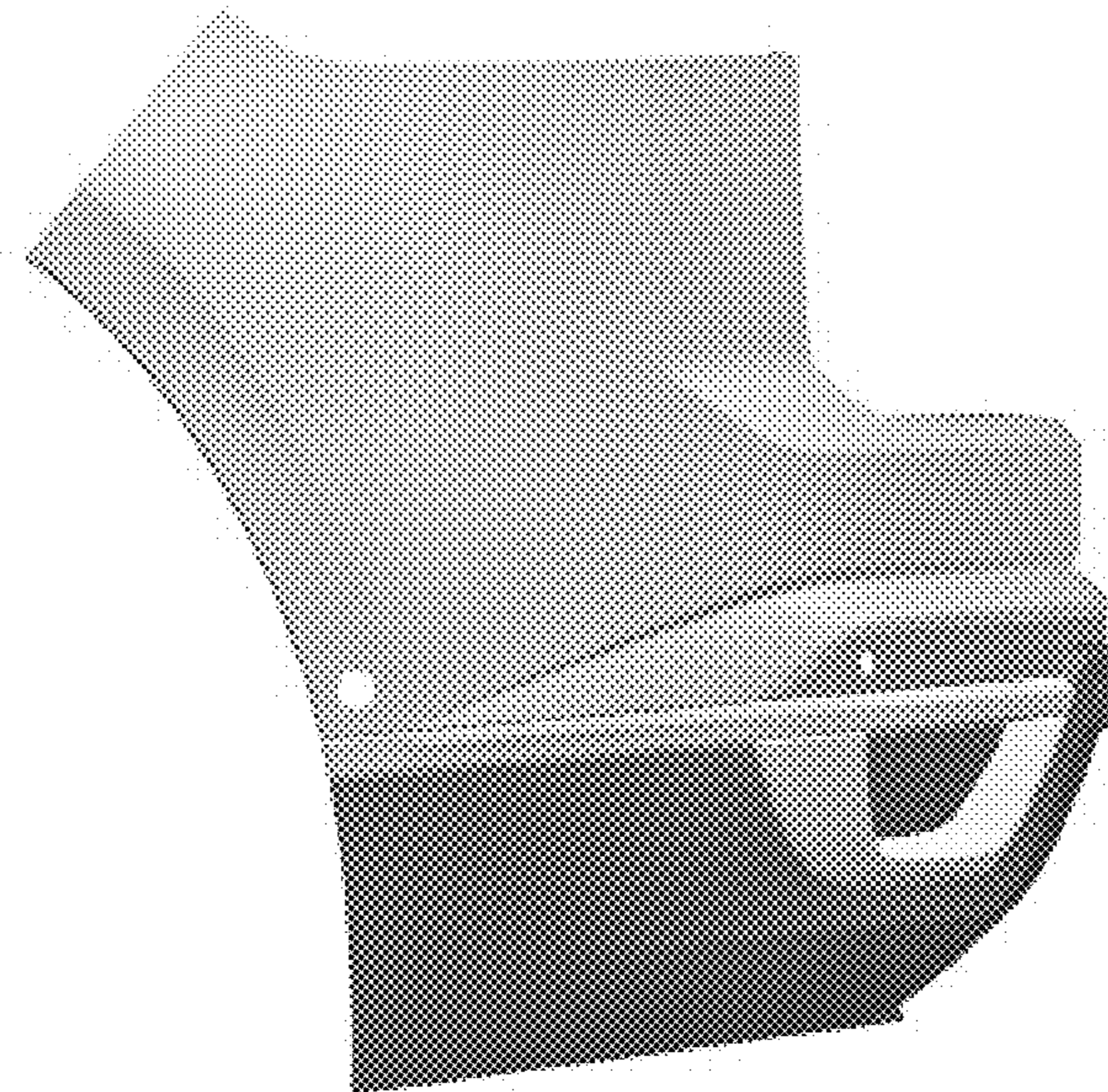
**Fig. 5**



**Fig. 6**



**Fig. 7**



**Fig. 8**