



US00D904248S

(12) **United States Design Patent** (10) **Patent No.:** **US D904,248 S**
Katou (45) **Date of Patent:** **** Dec. 8, 2020**

(54) **REAR BUMPER FOR AUTOMOBILE**

(71) Applicant: **Nissan Motor Co., Ltd.**, Yokohama, Kanagawa (JP)

(72) Inventor: **Tadashi Katou**, Kanagawa (JP)

(73) Assignee: **Nissan Motor Co., Ltd.**, Yokohama (JP)

(**) Term: **15 Years**

(21) Appl. No.: **29/705,446**

(22) Filed: **Sep. 12, 2019**

(30) **Foreign Application Priority Data**

Mar. 13, 2019 (JP) 2019-005222

(51) **LOC (12) Cl.** **12-16**

(52) **U.S. Cl.**
USPC **D12/169**

(58) **Field of Classification Search**
USPC D12/169, 196, 86, 90-92, 163, 190, 98,
D12/164; 293/102, 113, 115, 117, 120,
293/193.11; 296/180.1, 180.2; 180/68.1,
180/68.6

CPC B60R 19/52; B60K 11/08; B62D 25/08;
B62B 9/16

See application file for complete search history.

(56) **References Cited**

U.S. PATENT DOCUMENTS

D561,070 S * 2/2008 Gresens D12/169
D561,071 S * 2/2008 Golden D12/169
D566,017 S * 4/2008 Pfeiffer D12/169
D585,002 S * 1/2009 Tamura D12/169
D592,570 S * 5/2009 Lamm D12/169
D605,568 S * 12/2009 Ward D12/169
D609,614 S * 2/2010 Okue D12/169

D631,407 S * 1/2011 Kuze D12/169
D640,613 S * 6/2011 Bauer D12/169
D644,573 S * 9/2011 Bauer D12/169
D644,578 S * 9/2011 Messale D12/169
D653,593 S * 2/2012 Nishihama D12/169
D675,140 S * 1/2013 Ohkoshi D12/169
D683,282 S * 5/2013 Fuchigami D12/169
D683,285 S * 5/2013 Yoshida D12/169
D769,780 S * 10/2016 Lesnik D12/164
D819,523 S * 6/2018 Yamamoto et al. D12/169
D833,330 S * 11/2018 Sakai D12/91
D838,638 S * 1/2019 Wada D12/169
D854,982 S * 7/2019 Horie D12/169
D854,983 S * 7/2019 Katou D12/169
D864,803 S * 10/2019 Sakai D12/169

(Continued)

Primary Examiner — Melody N Brown

(74) *Attorney, Agent, or Firm* — Global IP Counselors, LLP

(57) **CLAIM**

The ornamental design for a rear bumper for an automobile, as shown and described.

DESCRIPTION

FIG. 1 is a front elevational view of a rear bumper for automobile in accordance with my new design;

FIG. 2 is a top plan view thereof;

FIG. 3 is a bottom plan view thereof;

FIG. 4 is a left side elevational view thereof;

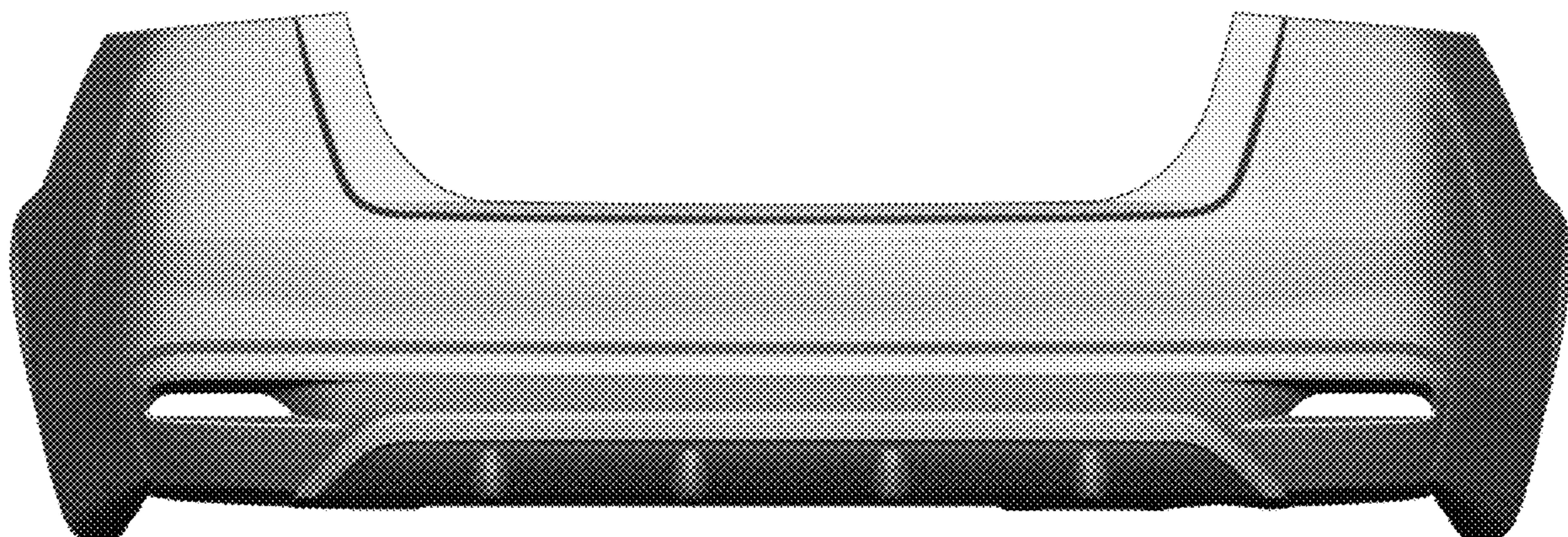
FIG. 5 is a right side elevational view thereof;

FIG. 6 is a bottom, front and left side perspective view thereof; and,

FIG. 7 is a top, front and right side perspective view thereof.

The rear view of the rear bumper forms no part of the claimed design. The inside surfaces of the rear bumper, shown in broken lines in FIGS. 2, 3, 6 and 7, form no part of the claimed design since the inside surfaces are hidden when the rear bumper is mounted to the automobile.

1 Claim, 7 Drawing Sheets



(56)

References Cited

U.S. PATENT DOCUMENTS

D886,003 S * 6/2020 Kusunoki et al. D12/169
D887,914 S * 6/2020 Utsunomiya D12/169

* cited by examiner

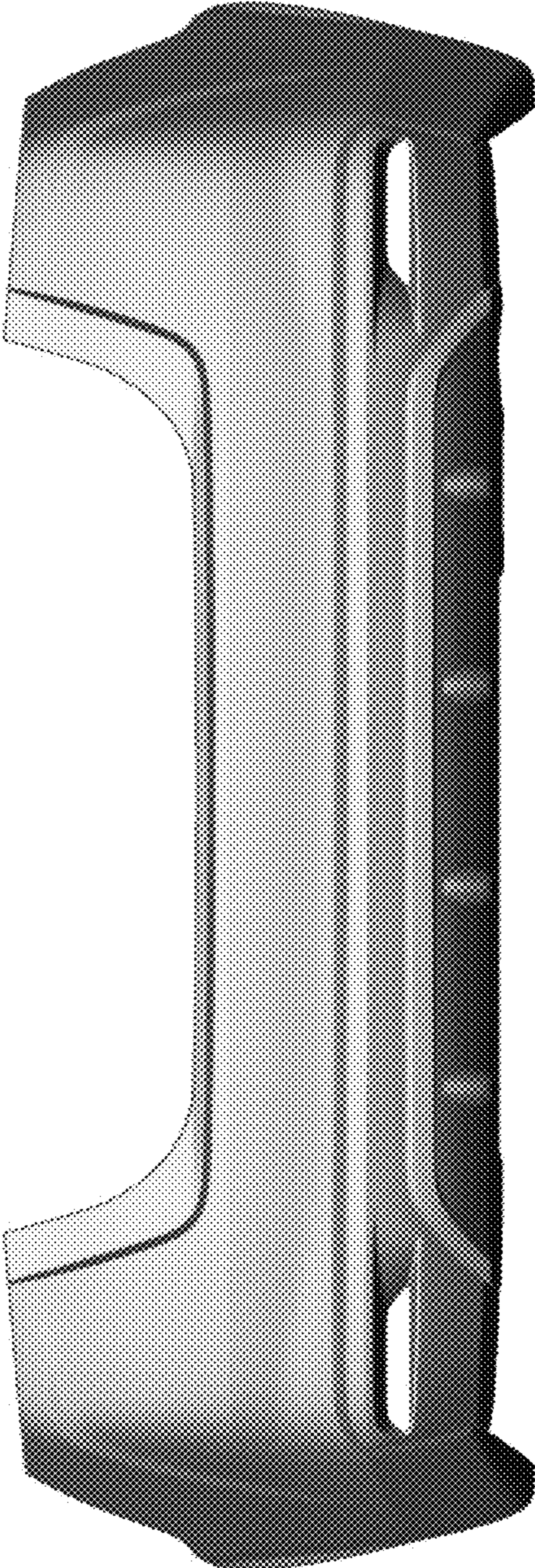


FIG. 1

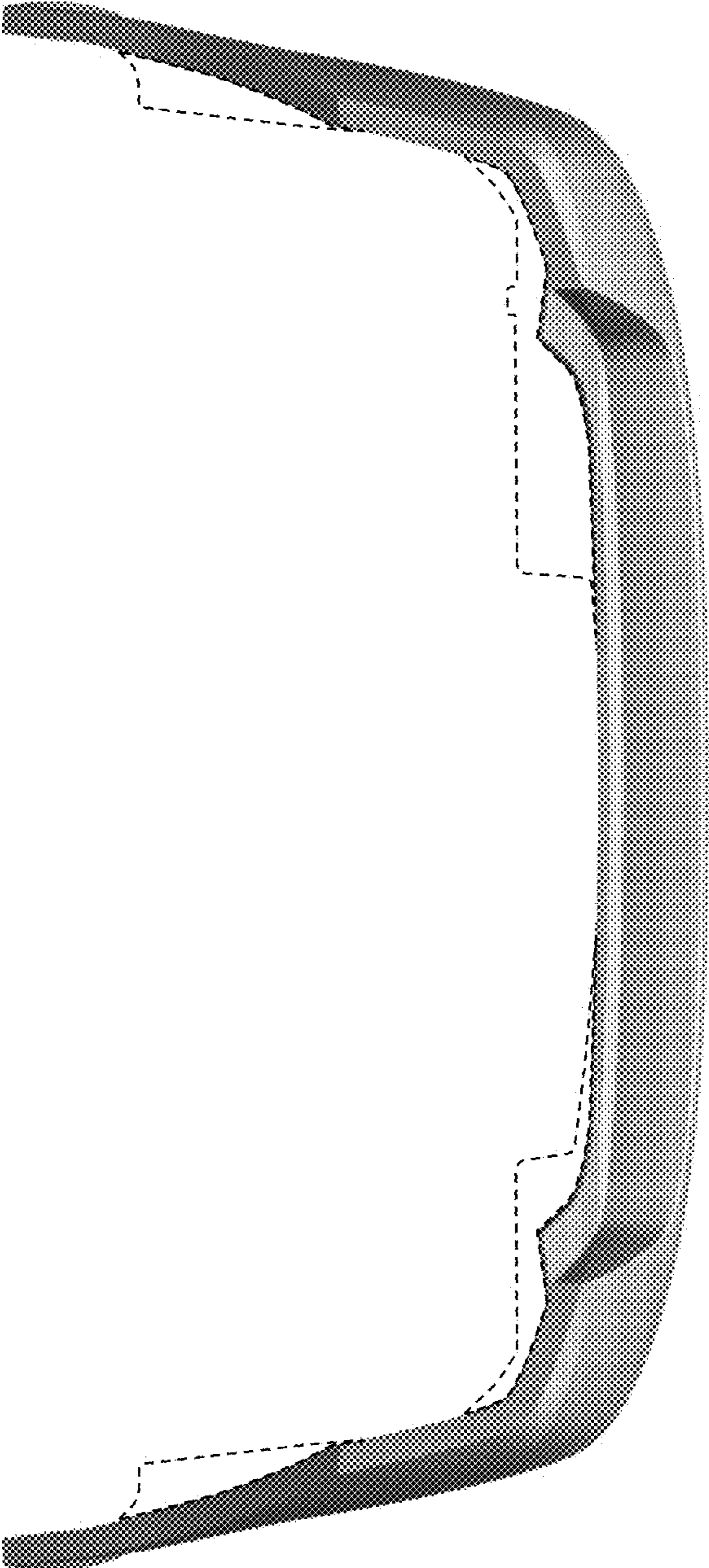


FIG. 2

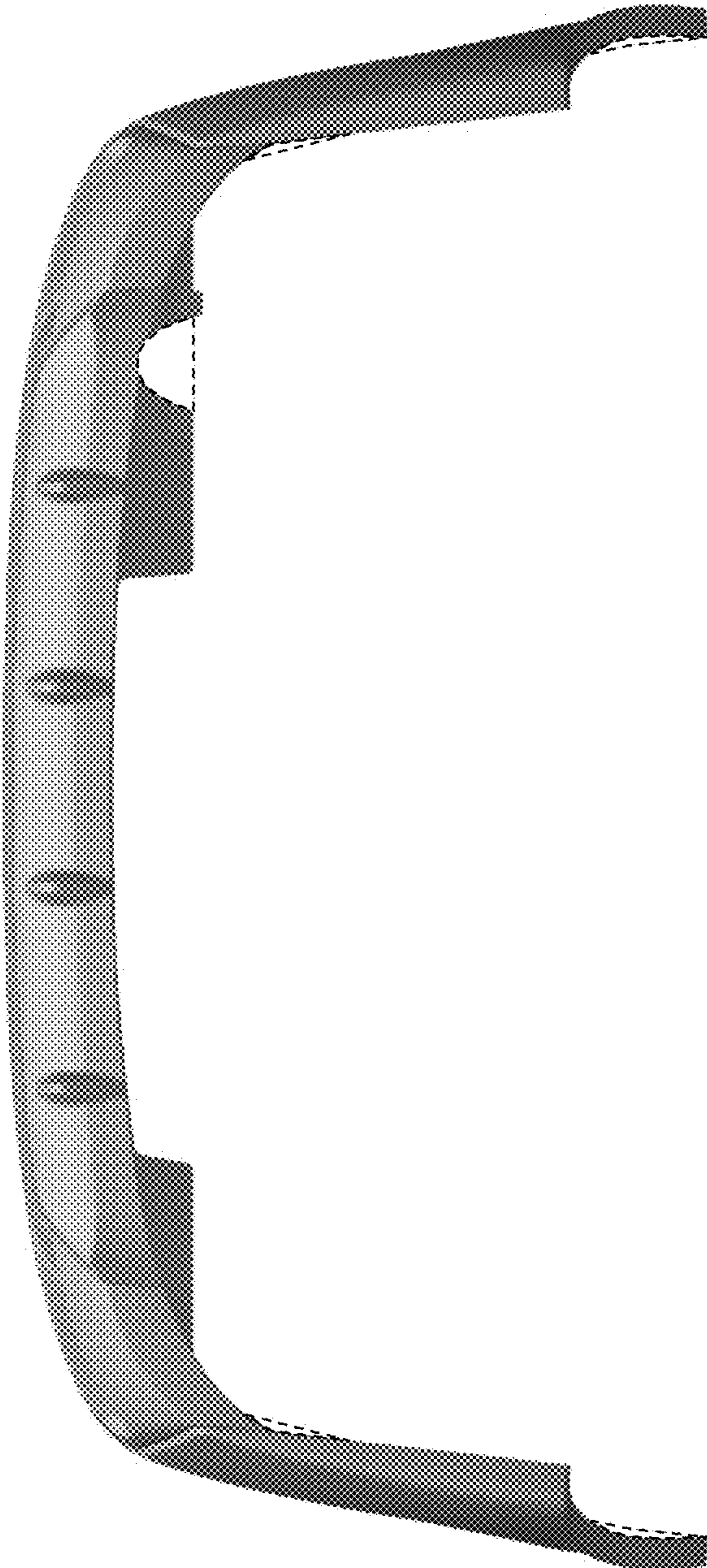


FIG. 3

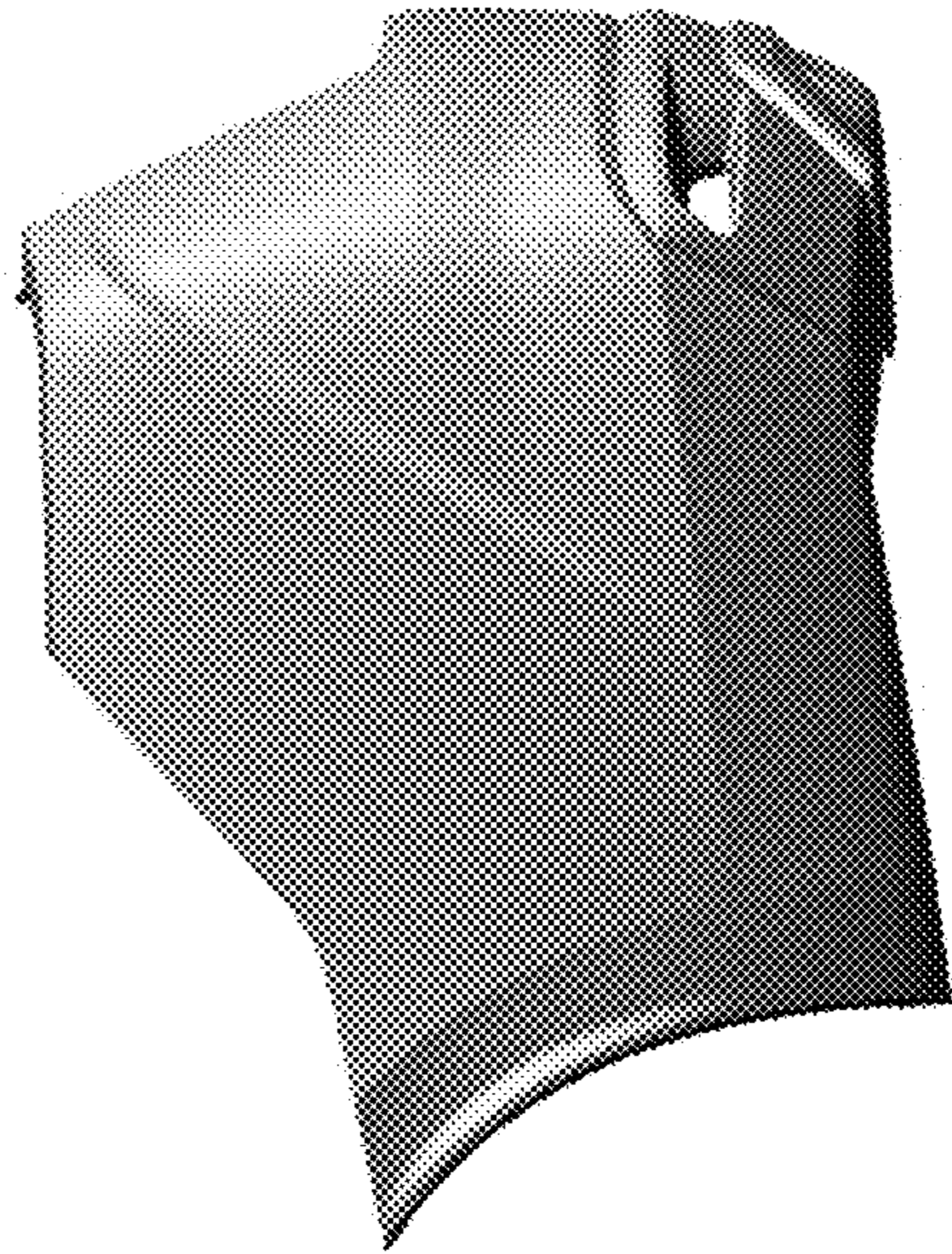


FIG. 4

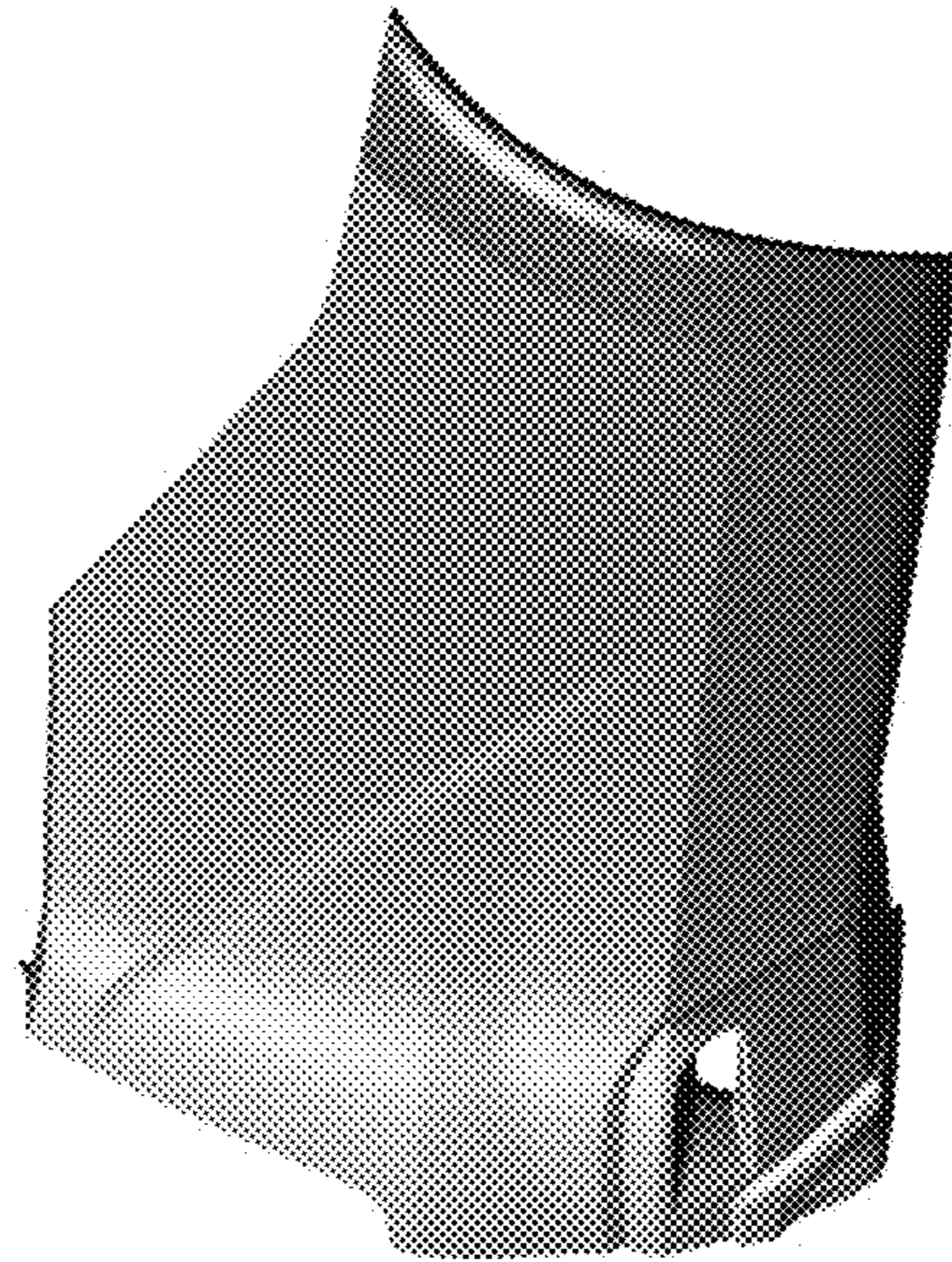


FIG. 5

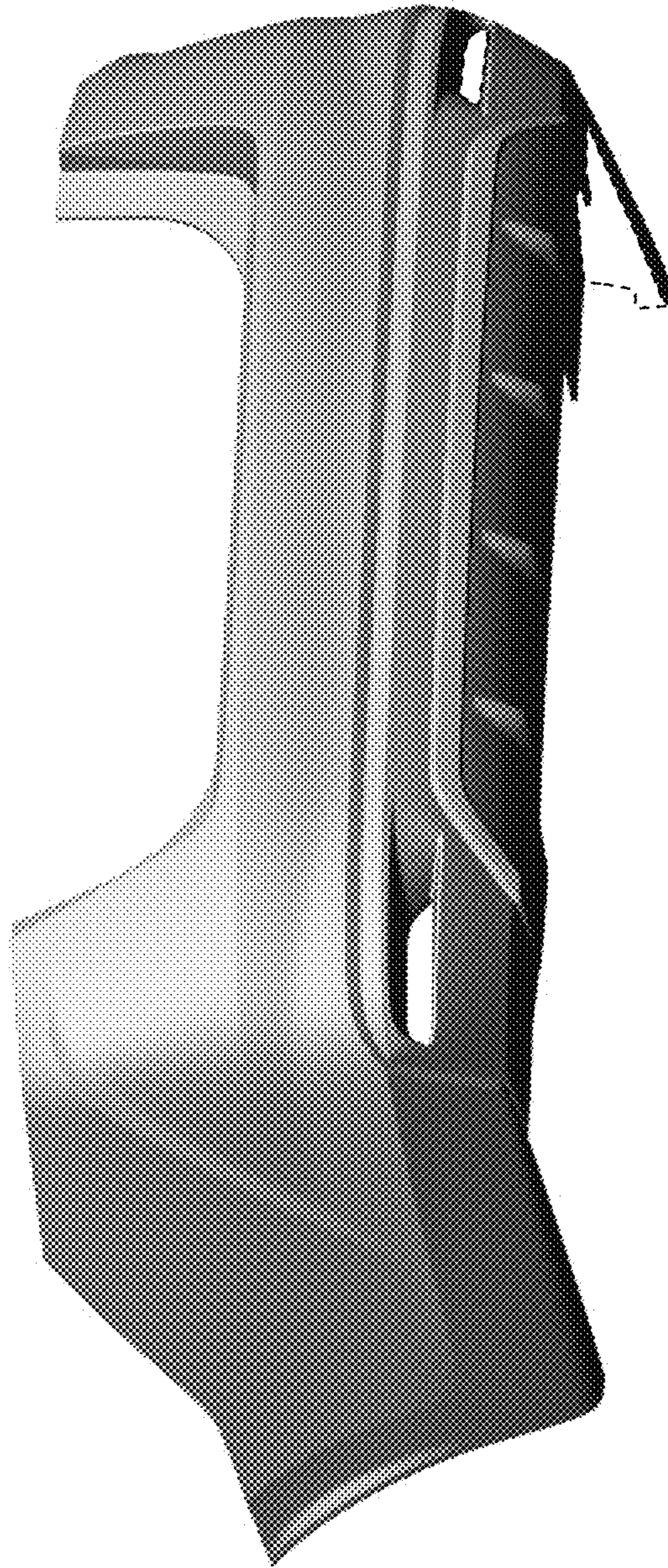


FIG. 6



FIG. 7