

US00D904245S

(12) **United States Design Patent** (10) **Patent No.:** **US D904,245 S**  
**Wraith et al.** (45) **Date of Patent:** **\*\* Dec. 8, 2020**

(54) **VEHICLE FRONT LOWER BUMPER COVER**

D885,997 S \* 6/2020 Platto ..... D12/163  
D885,998 S \* 6/2020 Platto ..... D12/163  
D887,318 S \* 6/2020 Platto ..... D12/163  
D893,368 S \* 8/2020 Oh ..... D12/169

(71) Applicant: **Ford Global Technologies, LLC,**  
Dearborn, MI (US)

(72) Inventors: **Paul J. Wraith,** West Bloomfield, MI (US); **Dong H. Park,** Canton, MI (US); **Brian S. Paik,** Los Angeles, CA (US); **Daniel J. Kangas,** Livonia, MI (US)

(73) Assignee: **Ford Global Technologies, LLC,**  
Dearborn, MI (US)

(\*\*) Term: **15 Years**

(21) Appl. No.: **29/700,425**

(22) Filed: **Aug. 2, 2019**

(51) **LOC (12) Cl.** ..... **12-16**

(52) **U.S. Cl.**  
USPC ..... **D12/169**

(58) **Field of Classification Search**  
USPC .... D12/169, 164, 196, 171, 163, 86, 90-92;  
293/102, 113, 115, 117, 120; 296/180.1,  
296/180.2  
CPC ..... B60R 19/02; B60R 19/04; B62D 25/08  
See application file for complete search history.

(56) **References Cited**

**U.S. PATENT DOCUMENTS**

D819,497 S \* 6/2018 Platto ..... D12/91  
D847,709 S \* 5/2019 Neal ..... D12/171

**OTHER PUBLICATIONS**

Michael Martinez, Ford's 2020 Baby Bronco off-roader emerges in photos from dealer meeting, <http://www.automews.com/article/20181113/OEM04/181119911/ford-baby-bronco-photos-leaked> Nov. 13, 2018.

\* cited by examiner

*Primary Examiner* — Melody N Brown

(74) *Attorney, Agent, or Firm* — Michael Spenner

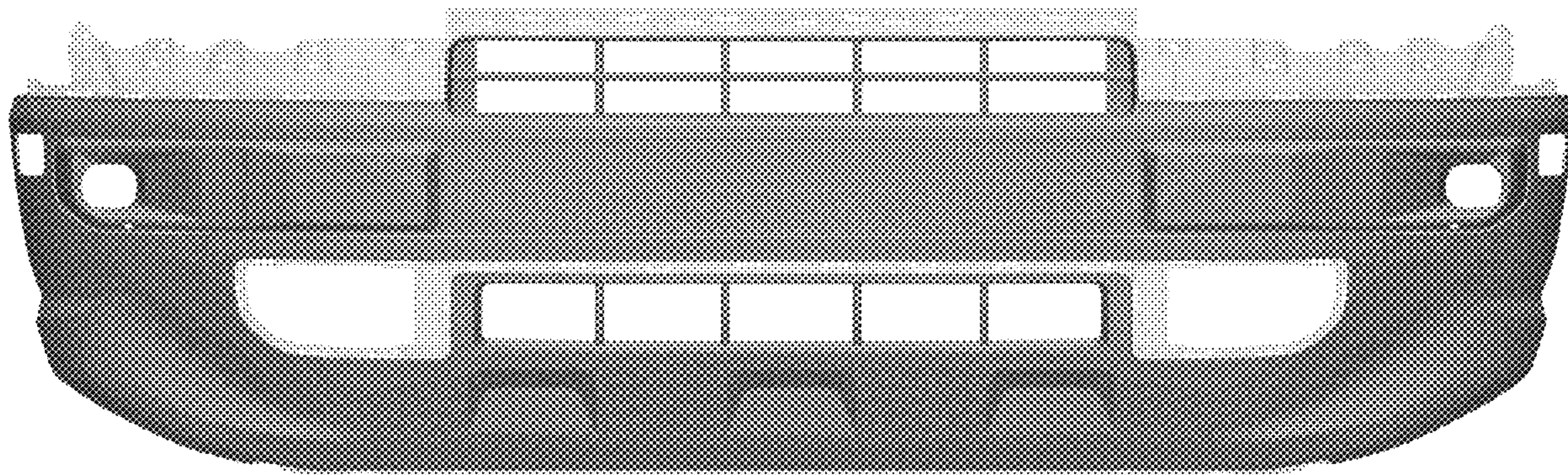
(57) **CLAIM**

The ornamental design for a vehicle front lower bumper cover, as shown and described.

**DESCRIPTION**

FIG. 1 is a front elevational view of a vehicle front lower bumper cover, showing our new design;  
FIG. 2 is a left side elevational view thereof;  
FIG. 3 is a right side elevational view thereof;  
FIG. 4 is a top plan view thereof;  
FIG. 5 is a bottom plan view thereof;  
FIG. 6 is a bottom, front and left side perspective view thereof; and,  
FIG. 7 is a top, front and left side perspective view thereof. The claimed design is indicated by the relatively dark portions in the figures. The de-emphasized and relatively light portions form no part of the claimed design.

**1 Claim, 7 Drawing Sheets**





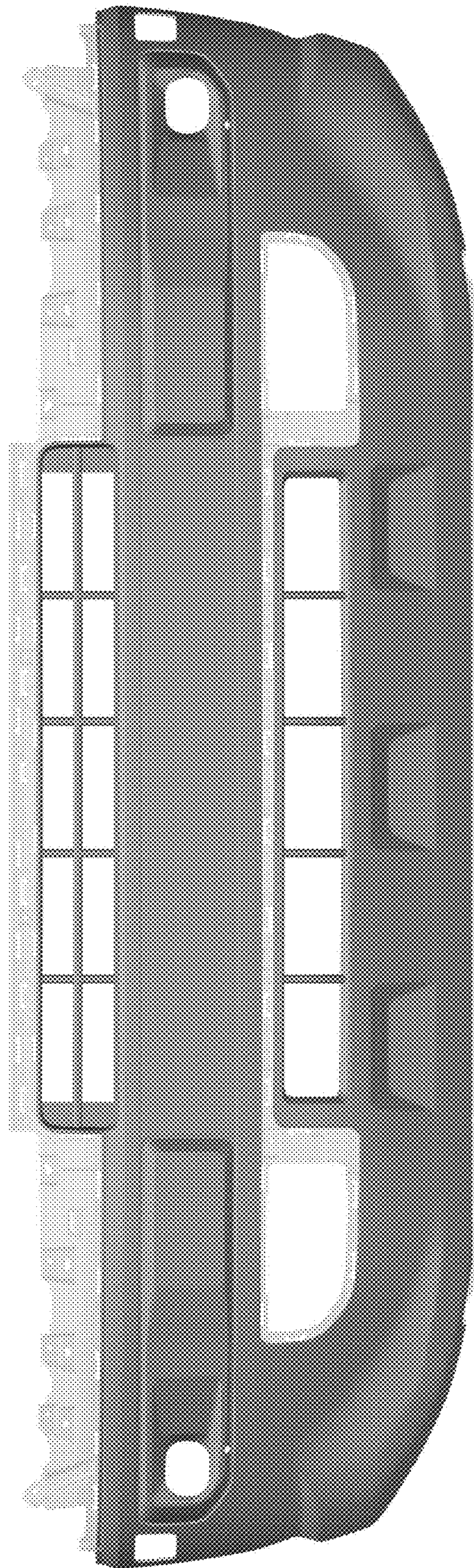


Fig.1



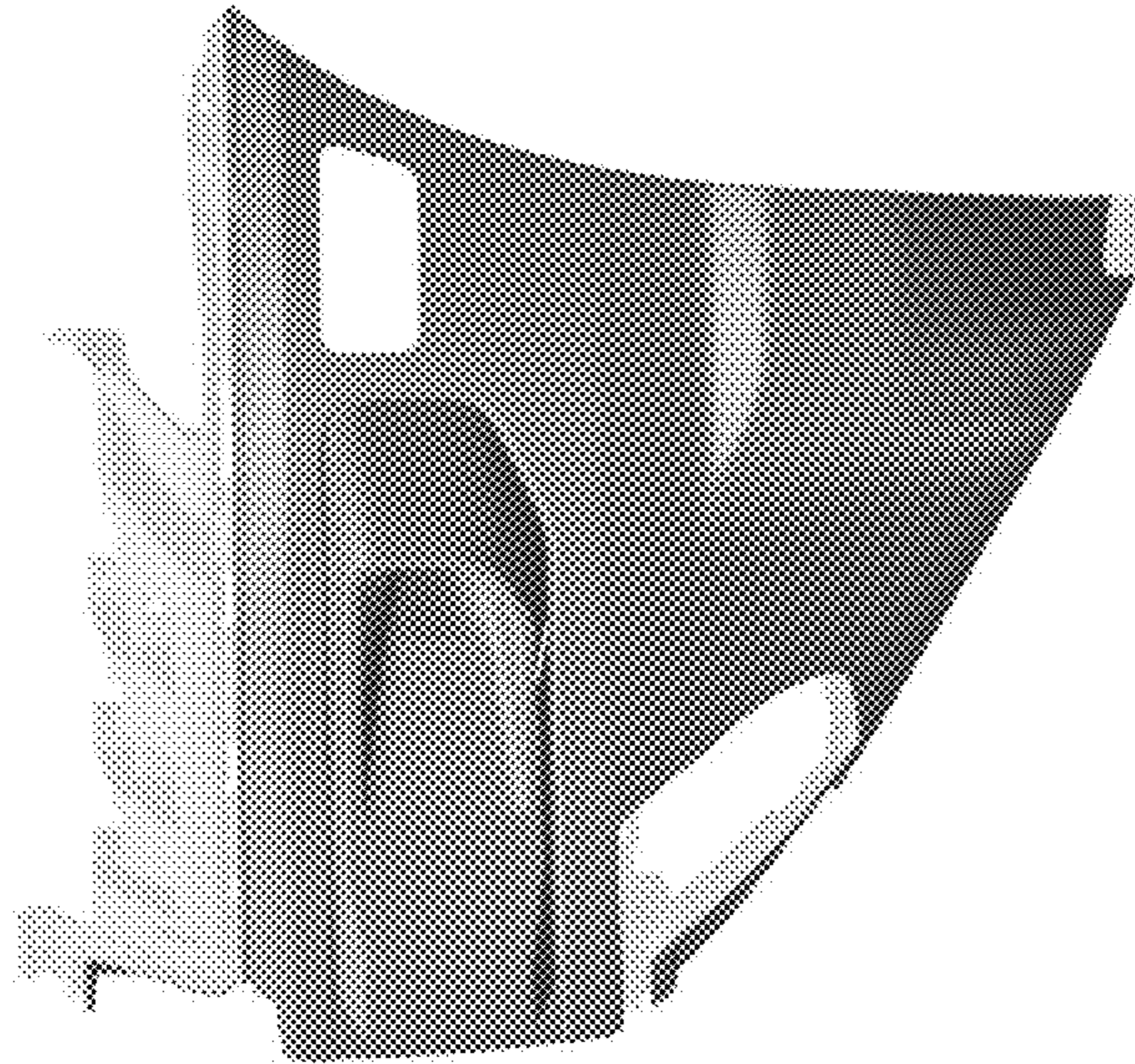


Fig. 2

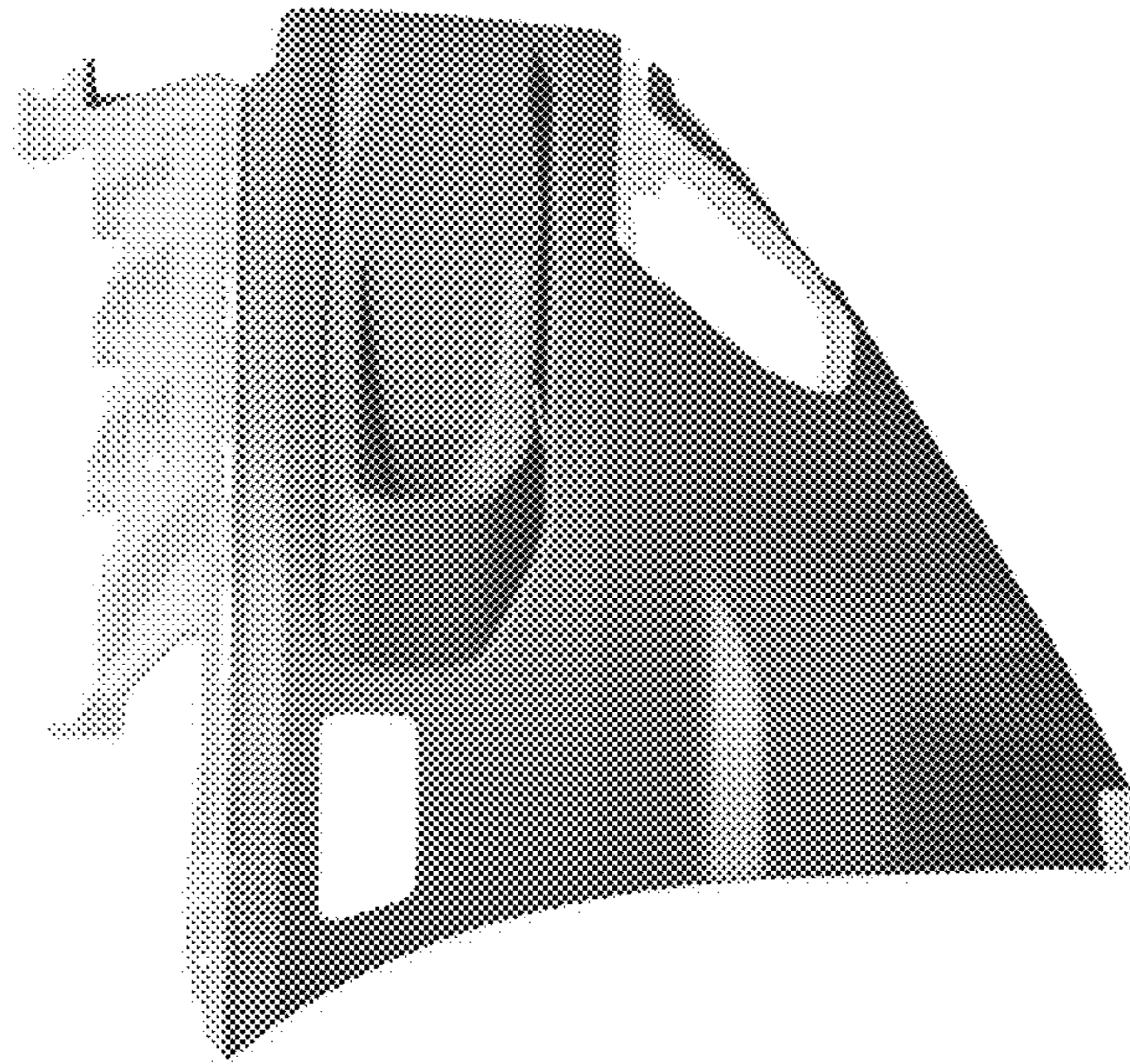


Fig. 3

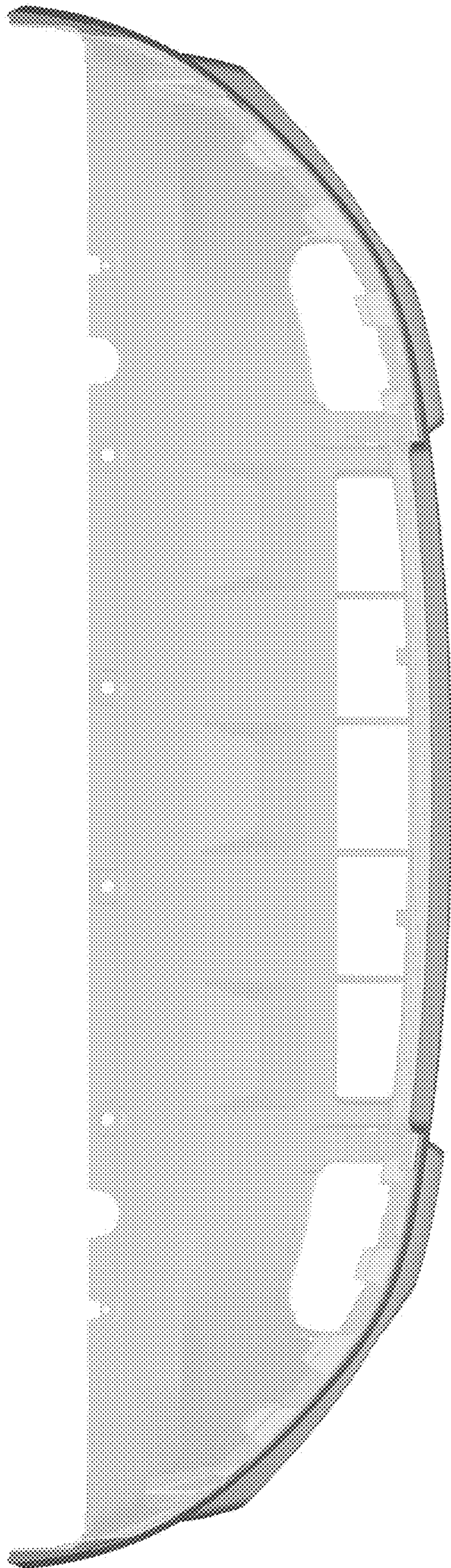
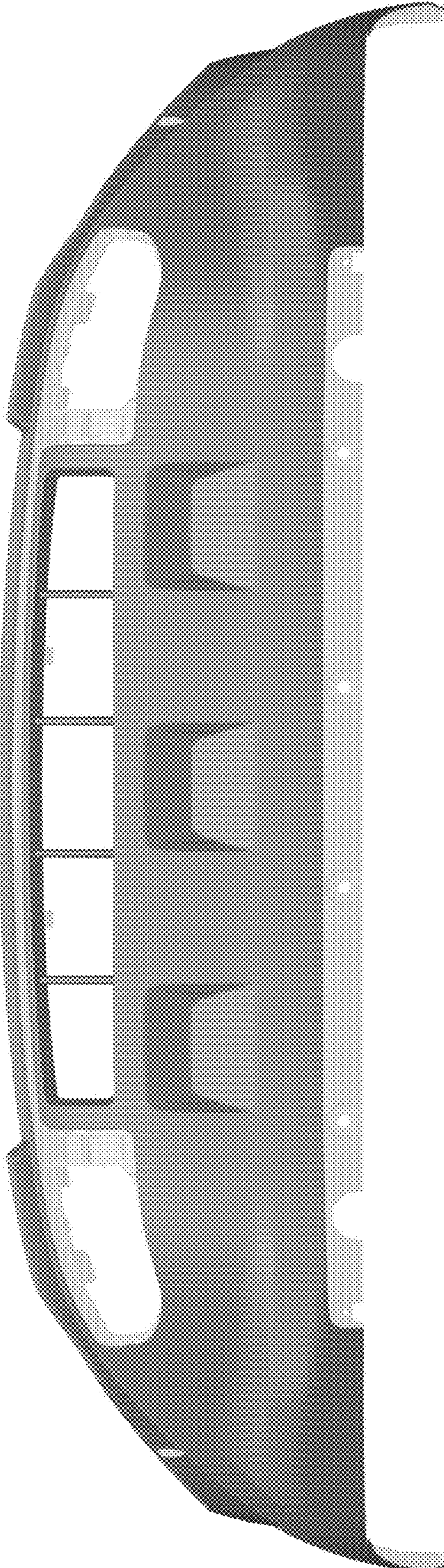


Fig.4



Fig. 5





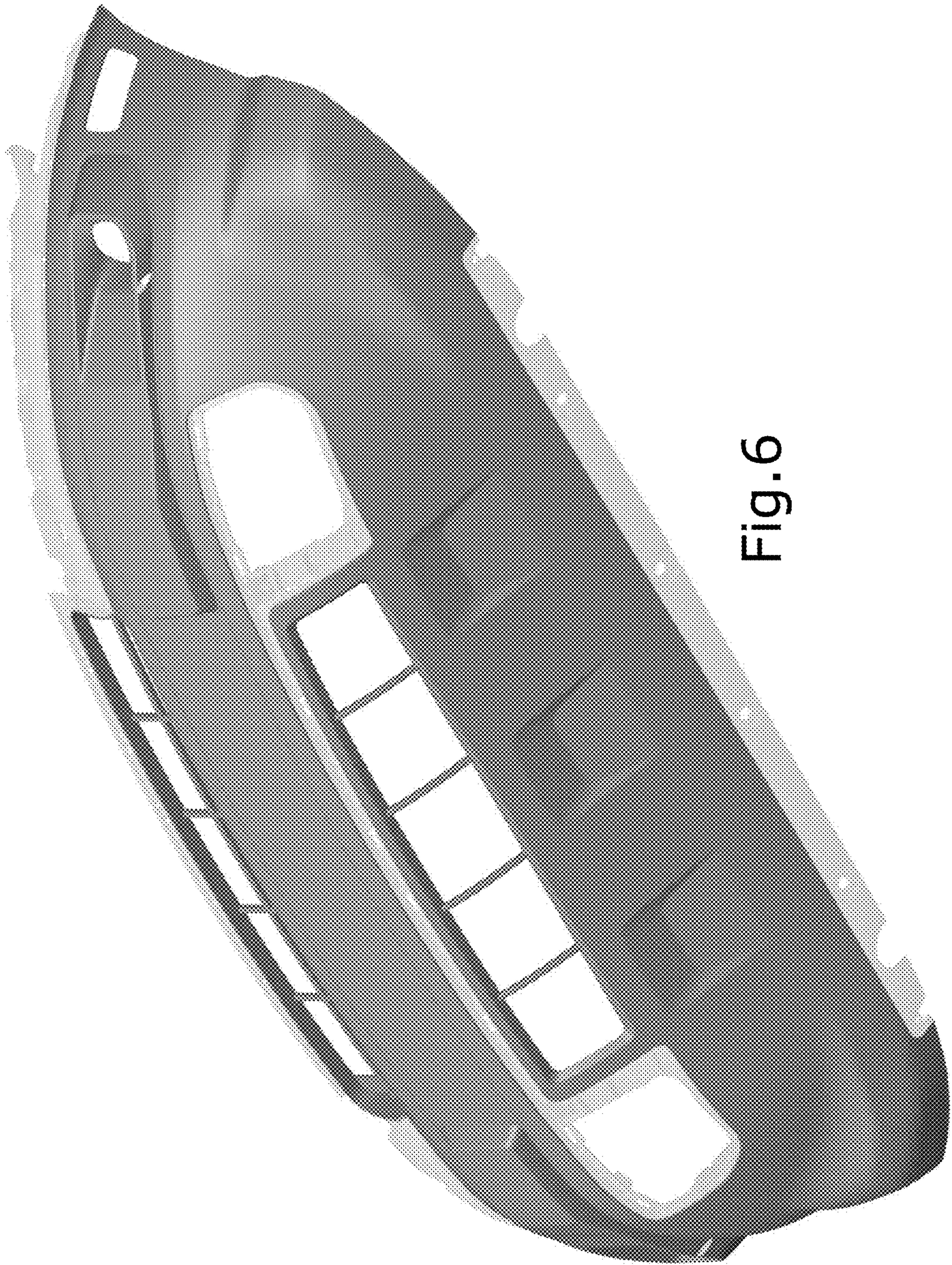


Fig.6



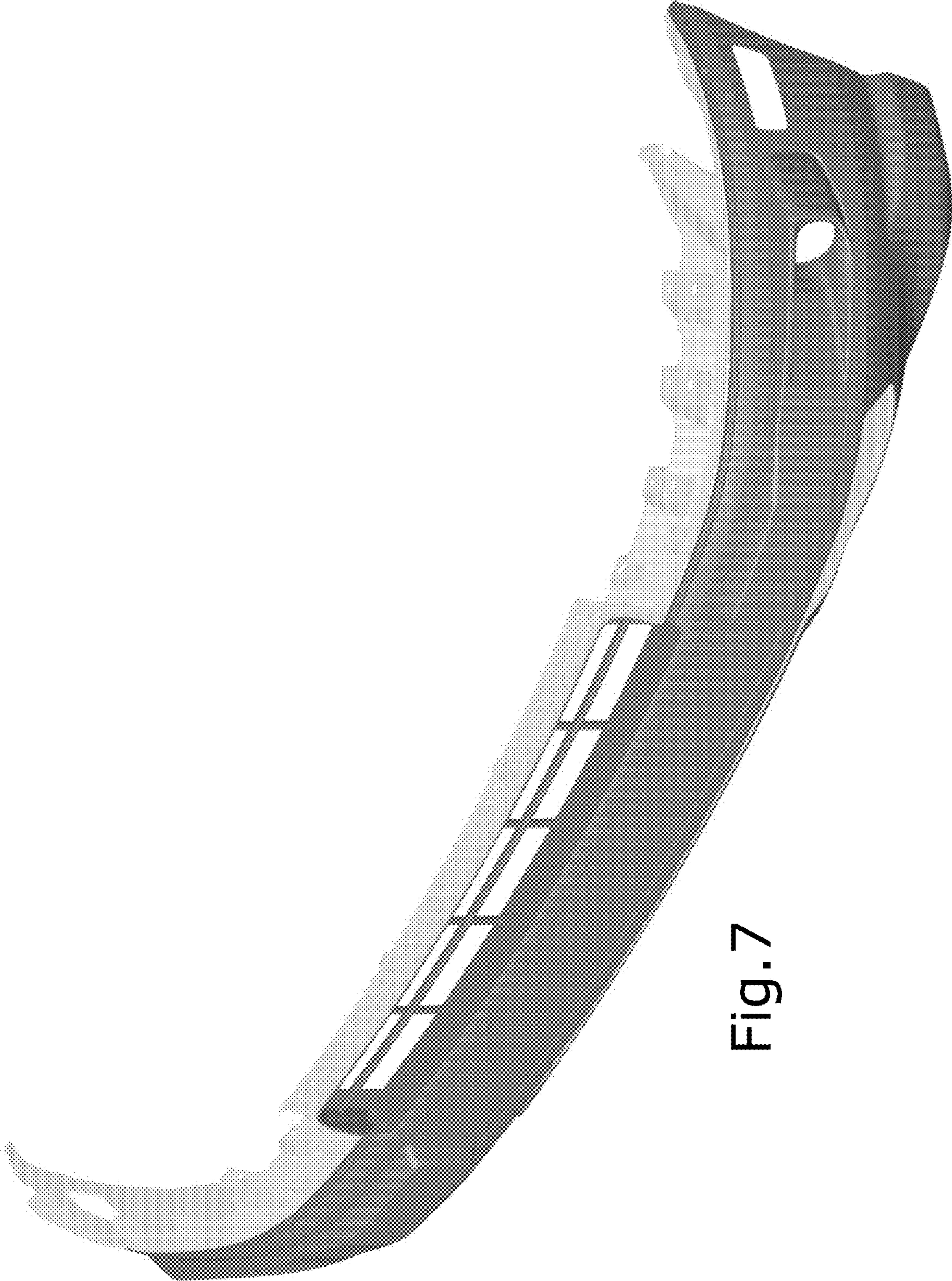


Fig. 7