



US00D904244S

(12) **United States Design Patent** (10) **Patent No.:** **US D904,244 S**  
**Wood et al.** (45) **Date of Patent:** **\*\* Dec. 8, 2020**

(54) **MODEL VEHICLE BUMPER**

FOREIGN PATENT DOCUMENTS

(71) Applicant: **TRAXXAS LP**, McKinney, TX (US)  
(72) Inventors: **Jonathan Scott Wood**, Frisco, TX (US); **Jory Sprowl**, Honey Grove, TX (US); **Otto Karl Allmendinger**, Rowlett, TX (US); **Kent Poteet**, Lucas, TX (US)

TW D147600 S 6/2012  
TW D154920 S 7/2013

(Continued)

(73) Assignee: **TRAXXAS LP**, McKinney, TX (US)

(\*\*) Term: **15 Years**

(21) Appl. No.: **29/696,373**

(22) Filed: **Jun. 27, 2019**

(51) **LOC (12) Cl.** ..... **12-16**

(52) **U.S. Cl.**  
USPC ..... **D12/169**; D21/561

(58) **Field of Classification Search**  
USPC ..... D12/86, 93, 164, 169, 170, 171, 172, D12/196, 400; D21/432, 561  
CPC ..... B60R 19/00; B60R 19/02; B60R 19/24; B60R 19/56; B60R 2019/026; B60R 2019/522; B60R 2019/527; B60R 2019/1813; B60R 2019/1833; B60R 2019/1886; B60R 2019/247

See application file for complete search history.

(56) **References Cited**

U.S. PATENT DOCUMENTS

1,355,592 A 10/1920 De Graw  
1,414,382 A 5/1922 Stafford  
1,427,624 A 8/1922 Newton  
1,448,504 A 3/1923 Plante  
1,464,321 A 8/1923 Koester et al.  
1,468,868 A 9/1923 Reichstetter, Jr. et al.  
1,487,352 A 3/1924 Nelson  
1,494,867 A 5/1924 Rahe

(Continued)

OTHER PUBLICATIONS

Traxxas LP; The New Traxxas Summit 16.8 V Electric Extreme Terrain Monster Truck; Traxxas Press Release; Oct. 16, 2008.

(Continued)

*Primary Examiner* — Michael A. Pratt

*Assistant Examiner* — Adam C Mager

(74) *Attorney, Agent, or Firm* — Daryl R. Wright; Greg Carr

(57) **CLAIM**

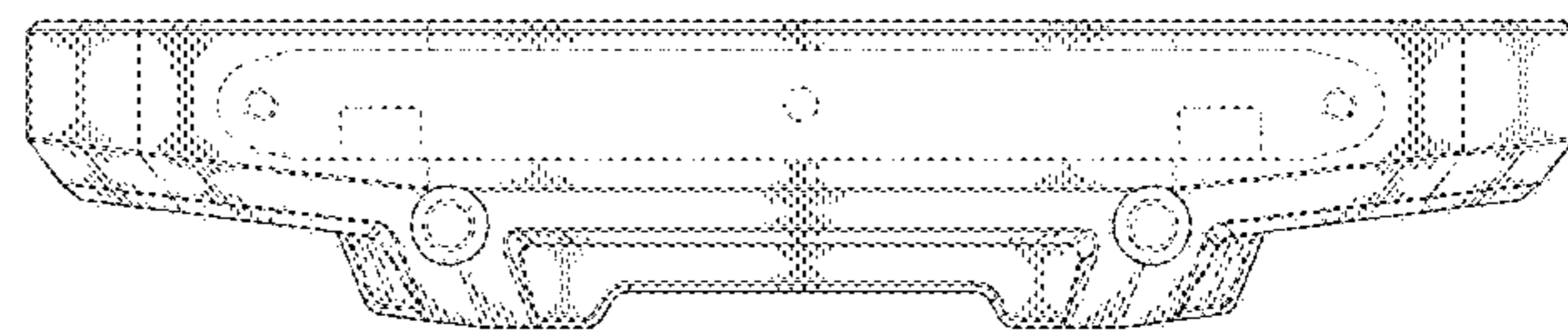
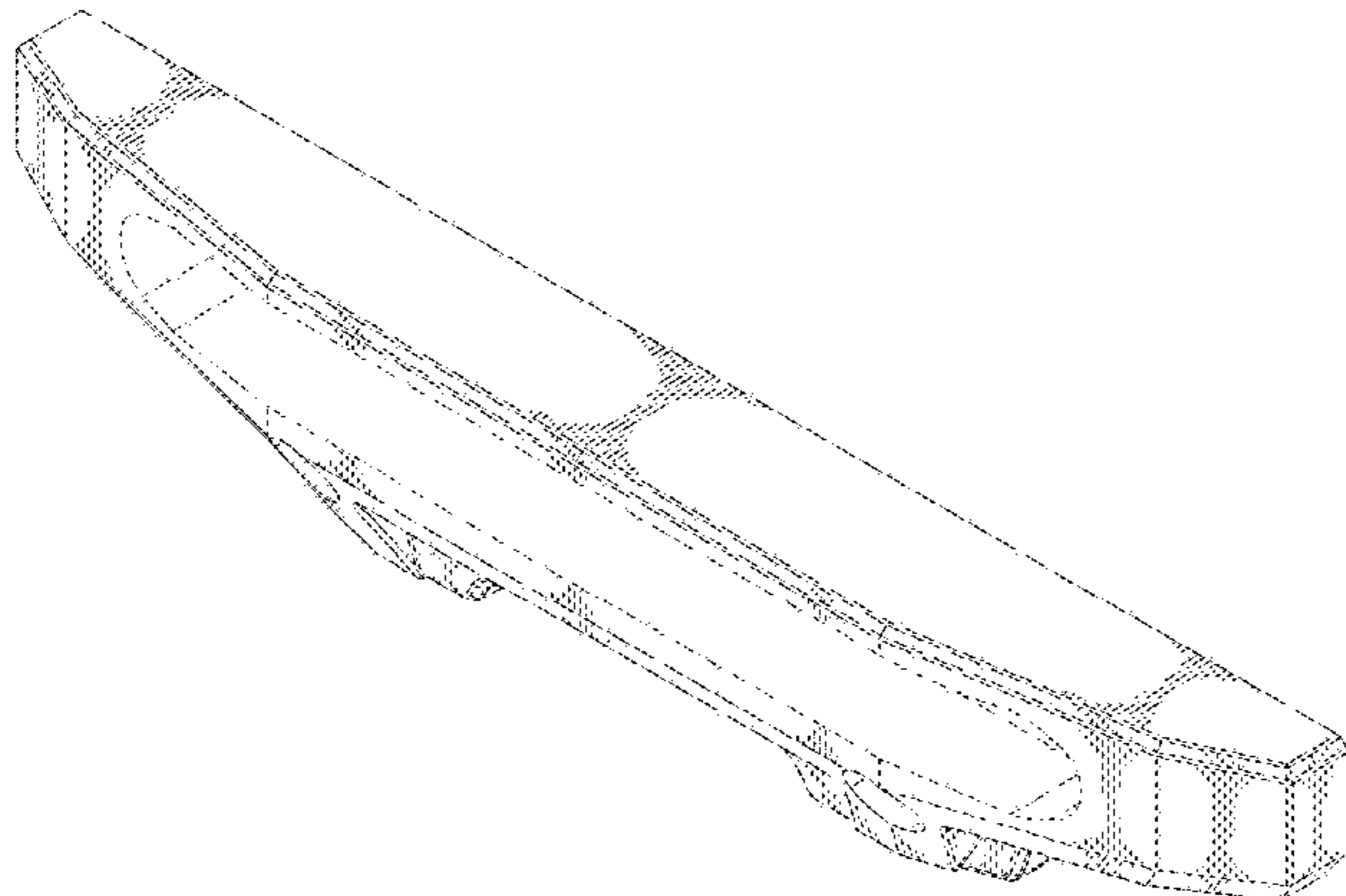
We claim the ornamental design for a model vehicle bumper, as shown and described.

**DESCRIPTION**

FIG. 1 is an upper, right, rear perspective view of a model vehicle bumper;  
FIG. 2 is a rear elevation view thereof;  
FIG. 3 is a front elevation view thereof;  
FIG. 4 is a right side elevation view thereof;  
FIG. 5 is a left side elevation view thereof;  
FIG. 6 is a top plan view thereof;  
FIG. 7 is a bottom plan view thereof; and,  
FIG. 8 is a lower, right, rear perspective environmental use view of the model vehicle bumper.

In the drawings, the broken line showing of features of the model vehicle bumper illustrate portions of the model vehicle bumper that form no part of the claimed design; whereas, the broken line showing of the environmental use view depicts environmental subject matter and is provided for the purposes of illustrating environmental use structure and context and also forms no part of the claimed design.

**1 Claim, 5 Drawing Sheets**



(56)

References Cited

U.S. PATENT DOCUMENTS

1,509,394 A	9/1924	Cox	D704,107 S	5/2014	Peltola et al.
1,534,760 A	4/1925	Blackmore	D713,305 S	9/2014	Sperling et al.
1,633,603 A	6/1927	Spencer	D716,201 S	10/2014	Ewing et al.
1,655,978 A	1/1928	Vella	D722,927 S	2/2015	Schroeder et al.
1,729,731 A	10/1929	Vidach	D726,605 S	4/2015	Schroeder
1,836,610 A	12/1931	McMurdo	D728,038 S	4/2015	Ewing et al.
1,867,708 A	7/1932	Paton	D737,181 S	8/2015	Smith et al.
1,982,775 A	12/1934	Williams	D737,724 S	9/2015	Schroeder et al.
2,038,964 A	4/1936	Smith	D737,739 S	9/2015	Hanson et al.
2,144,357 A	1/1939	Booharin	D740,730 S	10/2015	Peltola et al.
2,146,642 A	2/1939	Mueth	D741,233 S	10/2015	Glover et al.
2,227,560 A	1/1941	Szabo	D744,384 S	12/2015	Harriton
2,236,507 A	4/1941	Kreits	D744,386 S	12/2015	Harriton
D160,661 S	12/1949	Ross	D744,387 S	12/2015	Harriton
2,502,483 A	4/1950	Sauer et al.	D744,388 S *	12/2015	Harriton ..... D12/169
2,604,349 A	7/1952	Martinetz	D749,021 S	2/2016	Boniface et al.
3,547,469 A	12/1970	Sancioni	D749,995 S	2/2016	Azadi et al.
3,663,048 A	5/1972	Zimmerle	D751,012 S	3/2016	Hare
3,689,054 A	9/1972	Gouirand	D753,034 S	4/2016	Thole et al.
D225,523 S *	12/1972	Nunn ..... D12/169	D760,133 S	6/2016	Bennett et al.
3,756,643 A	9/1973	Weed	D761,166 S	7/2016	Hare
3,774,948 A	11/1973	Gouirand	D763,745 S	8/2016	Lee, IV et al.
3,782,767 A	1/1974	Moore	D771,537 S	11/2016	Hare
3,829,118 A	8/1974	Gouirand	D775,013 S	12/2016	Bennett et al.
3,837,695 A	9/1974	Haase et al.	D775,016 S	12/2016	Reynolds
D234,194 S *	1/1975	Cline ..... D12/169	D776,582 S	1/2017	Bennett et al.
3,938,840 A	2/1976	Haase et al.	D777,618 S	1/2017	Setina
3,971,583 A	7/1976	Kornhauser	D777,619 S	1/2017	Barajas et al.
4,264,094 A	4/1981	White et al.	D778,213 S	2/2017	Platto et al.
D275,776 S	10/1984	Horowitz et al.	D778,784 S	2/2017	Hirooka
D300,128 S	3/1989	Brennan	D781,193 S	3/2017	McMath
5,181,699 A	1/1993	Chang	D781,757 S	3/2017	Baggett
5,326,083 A	7/1994	Wydra et al.	D784,869 S	4/2017	Yamamoto
D360,865 S *	8/1995	Hanson ..... D12/169	D785,504 S	5/2017	Higgs
D375,067 S	10/1996	Bronstein	D786,745 S	5/2017	Zeng
D403,023 S	12/1998	Araki	D792,817 S *	7/2017	McMath ..... D12/171
5,971,451 A	10/1999	Huang	D792,818 S	7/2017	McMath
D420,634 S	2/2000	Nelson	D793,304 S	8/2017	McMath
D420,962 S	2/2000	Chevalier	D794,519 S	8/2017	McMath
D422,953 S	4/2000	Waagenaar	D796,399 S	9/2017	Steen
D425,462 S	5/2000	Ujje	D800,036 S	10/2017	Bennett et al.
D431,506 S	10/2000	Runfola	D800,226 S	10/2017	Zeng
D432,469 S	10/2000	Nelson	D801,892 S	11/2017	Drever
6,217,090 B1	4/2001	Berzinji	D811,956 S	3/2018	Zeng
D454,098 S	3/2002	McGuinness	D821,275 S	6/2018	Eck et al.
D454,099 S	3/2002	McGuinness	D823,750 S	7/2018	Schulzetenberg et al.
D454,817 S	3/2002	McGuinness	D826,115 S	8/2018	Chi
D455,684 S	4/2002	McGuinness	D827,054 S	8/2018	Ewing et al.
D455,988 S	4/2002	McGuinness	D827,055 S *	8/2018	Barajas ..... D21/561
D462,401 S	9/2002	Wu	D830,919 S	10/2018	Zeng
D462,727 S	9/2002	Wu	D832,161 S	10/2018	Kobayashi
D464,087 S	10/2002	Wu	D832,368 S	10/2018	Barajas et al.
D476,606 S	7/2003	Hamm et al.	D833,922 S	11/2018	DiCanzio
D485,219 S	1/2004	Hamm et al.	D845,844 S *	4/2019	Langhals ..... D12/169
D487,038 S	2/2004	Chan	D845,845 S *	4/2019	Goodrich ..... D12/169
D502,433 S	3/2005	McClanahan	D845,846 S *	4/2019	Goodrich ..... D12/169
D506,421 S	6/2005	Newbill	D845,847 S	4/2019	Piscitelli et al.
D521,572 S	5/2006	Yuen	D846,460 S *	4/2019	Goodrich ..... D12/169
7,097,222 B2	8/2006	Ran	D846,461 S *	4/2019	Piscitelli ..... D12/169
D527,696 S	9/2006	Ichikawa et al.	D846,462 S	4/2019	DiCanzio
D532,348 S	11/2006	Kudo et al.	D847,051 S *	4/2019	DiCanzio ..... D12/171
D533,606 S	12/2006	Kaminski	D864,806 S *	10/2019	Wood ..... D12/171
D534,593 S	1/2007	Yuen	D870,615 S *	12/2019	Wood ..... D12/171
D577,083 S	9/2008	Nakayama	D873,729 S *	1/2020	Rolfs ..... D12/169
D580,322 S	11/2008	Schroeder et al.	D873,730 S *	1/2020	Goodrich ..... D12/169
D590,752 S	4/2009	Williams et al.	D873,731 S *	1/2020	Goodrich ..... D12/169
D593,616 S	6/2009	Asai	D873,734 S *	1/2020	Goodrich ..... D12/171
D606,913 S	12/2009	Robertson	D874,999 S *	2/2020	Ewing ..... D12/171
7,703,834 B1	4/2010	Hardy et al.	D877,670 S *	3/2020	Moctezuma ..... D12/171
D636,305 S	4/2011	Alvarez et al.	D878,976 S *	3/2020	Goodrich ..... D12/169
D642,099 S	7/2011	Nagao et al.	D893,366 S *	8/2020	Dewitt ..... D12/169
D683,281 S	5/2013	Harriton	D894,802 S *	9/2020	Grand ..... D12/169
D691,074 S	10/2013	Dugardin	D894,803 S *	9/2020	DiCanzio ..... D12/169
D697,842 S	1/2014	Harriton	2009/0212581 A1	8/2009	Drever
D699,640 S	2/2014	Duderstadt	2009/0302623 A1	12/2009	Finney
			2013/0187395 A1	7/2013	Hanson et al.
			2017/0088076 A1 *	3/2017	Fujimoto ..... B60R 19/04



(56)

**References Cited**

## U.S. PATENT DOCUMENTS

2017/0247014 A1 8/2017 Farooq et al.  
 2017/0349227 A1 12/2017 Spindler et al.

## FOREIGN PATENT DOCUMENTS

TW D163365 S 10/2014  
 TW D168397 S 6/2015  
 TW D169825 S 8/2015

## OTHER PUBLICATIONS

Summit E-Revo Crawler SP08503 front bumper; Oct. 16, 2008.  
 “How Do I Add a Ball Hitch to my RPM Rear Bumper (T/E-Maxx & Revo Bumpers)?” RPM, Jul. 30, 2005 [online], [retrieved on Sep. 12, 1996]. Retrieved from the internet, URL: <http://www.rpmrcproducts.com/faq/add-ball-hitch-rpm-rear-bumper-te-maxx-revo-bumpers/>.  
 “Warn 87750 Elite Series Front Bumper with Grill Guard Tube” RPM, Jul. 17, 2013 [online], [retrieved on Sep. 12, 2016]. Retrieved from Internet, URL: [https://www.amazon.com/gp/product/B00625F4F1/ref=pd\\_sim\\_263\\_5?ie=UTF8&pd\\_rd\\_i=B00625F4F1&pd\\_rd\\_r=QN6NZ5WV34ZSOOZ3BSGH&pd\\_rd\\_w=4XjJD&pd\\_rd\\_wg=7Z80V&psc=1&refRID=QN6NZ5WV34ZS0](https://www.amazon.com/gp/product/B00625F4F1/ref=pd_sim_263_5?ie=UTF8&pd_rd_i=B00625F4F1&pd_rd_r=QN6NZ5WV34ZSOOZ3BSGH&pd_rd_w=4XjJD&pd_rd_wg=7Z80V&psc=1&refRID=QN6NZ5WV34ZS0).  
 “Yeah Racing F/R Bumper w/ HD Shackie & LED’s—SCX10, Traxxas.” RC Hobbies, Nov. 12, 2014 [online], [retrieved on Sep.

12, 2016]. Retrieved from the Internet <URL: [http://rchoobbies.com.au/store/product\\_info.php?products\\_id=80405](http://rchoobbies.com.au/store/product_info.php?products_id=80405)>.  
 Taiwan IPO Search Report; Taiwan Design Patent App No. 105301434; Aug. 4, 2016.  
 Associated Electrics; “Catalog and Parts Listing for the Monster GT Truck”; 2003; Associated Electrics, Inc., Costa Mesa, California.  
 Horizon Hobby; “Team Losi LST Super Truck—Drive Train Assy” exploded view; Horizon Hobby, Inc., Champaign, Illinois.  
 HPI Racing, “Savage 21 4WD Giant Monster Truck” p. 56 exploded view; Hobby Products International, Foothill Ranch, California.  
 Tamiya, “Terra Crusher Parts Breakdown—Front End”; Tamiya America, Inc., Aliso Viejo, California.  
 Tamiya, “Wild Willy 2 Parts Breakdown”; 1999, Tamiya America, Inc., Aliso Viejo, California.  
 Tamiya, “Wild Willy”; Tamiya America, Inc., Aliso Viejo, California; 1 photograph.  
 Traxxas, “T-Maxx Assemblies—Front Assembly”; Traxxas LP, Plano, Texas.  
 Axial SCX10 II 2000 Jeep Cherokee; <http://www.axialracing.com/products/ax90047>; Aug. 2016.  
 Axial SCX 10 Deadbolt; <http://www.axialracing.com/products/ax90044>; Aug. 2016.  
 Traxxas; Bumper support geometry, body mounts, body mount posts; <https://traxxas.com/products/parts/3619>; Oct. 2016.  
 Sema 2015 Fab Fours; 2 photos.

\* cited by examiner

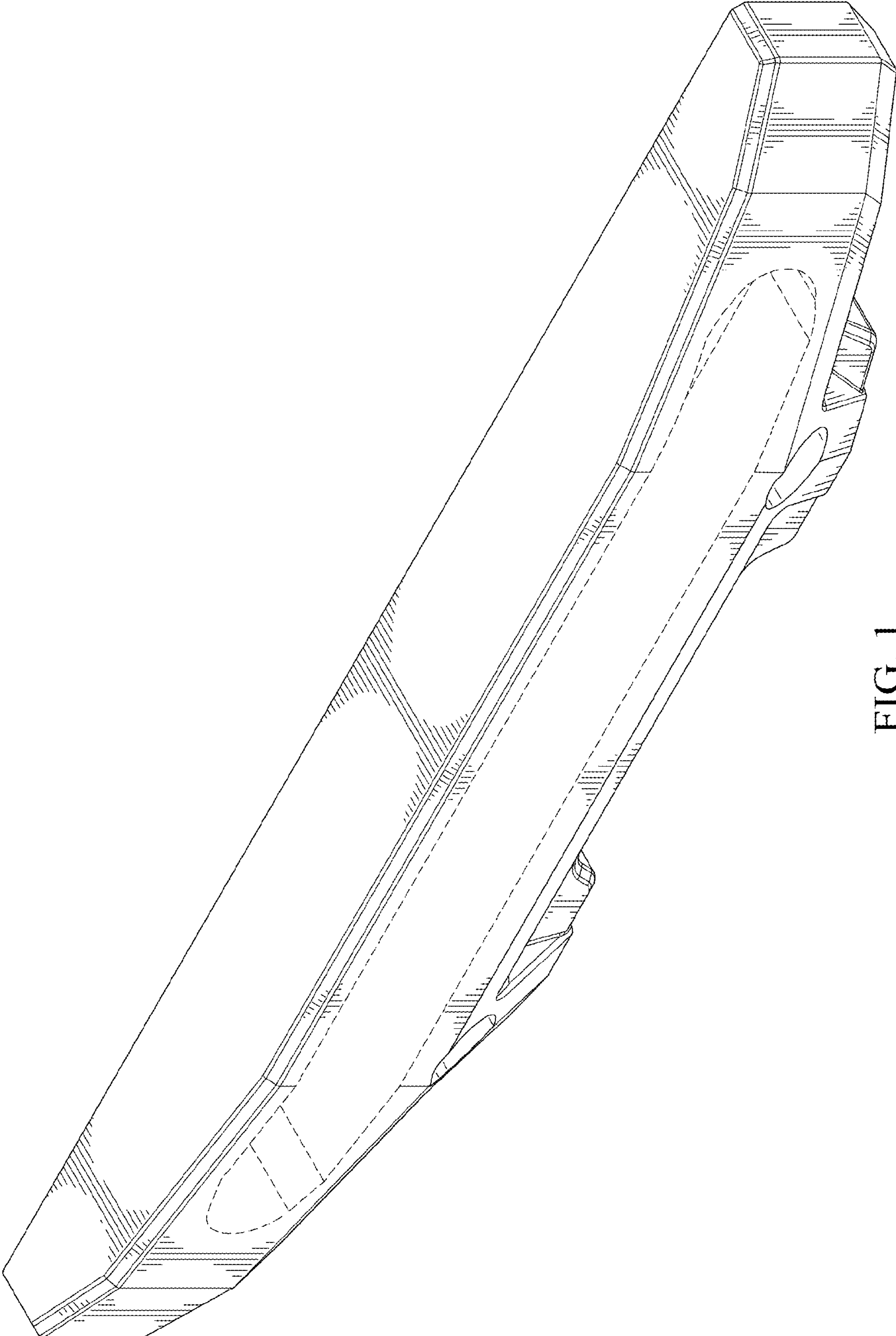


FIG. 1

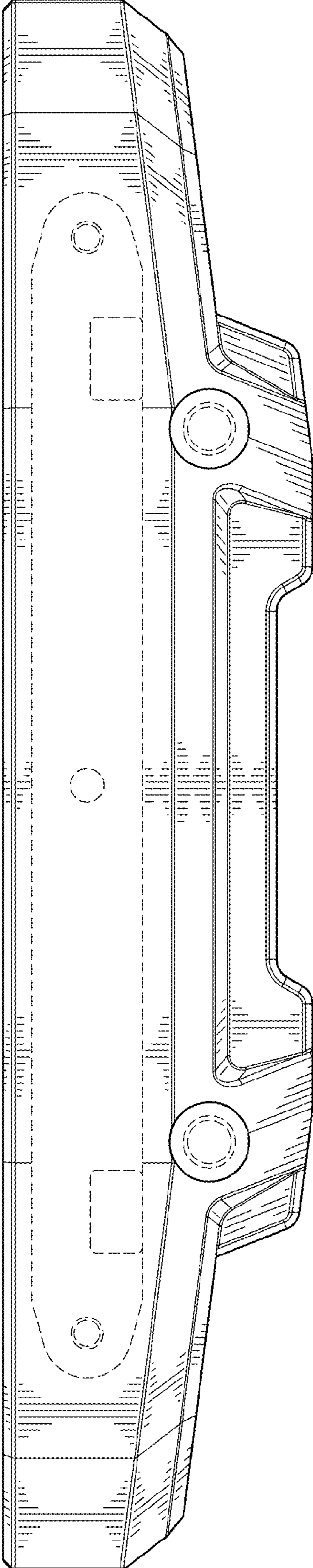


FIG. 2

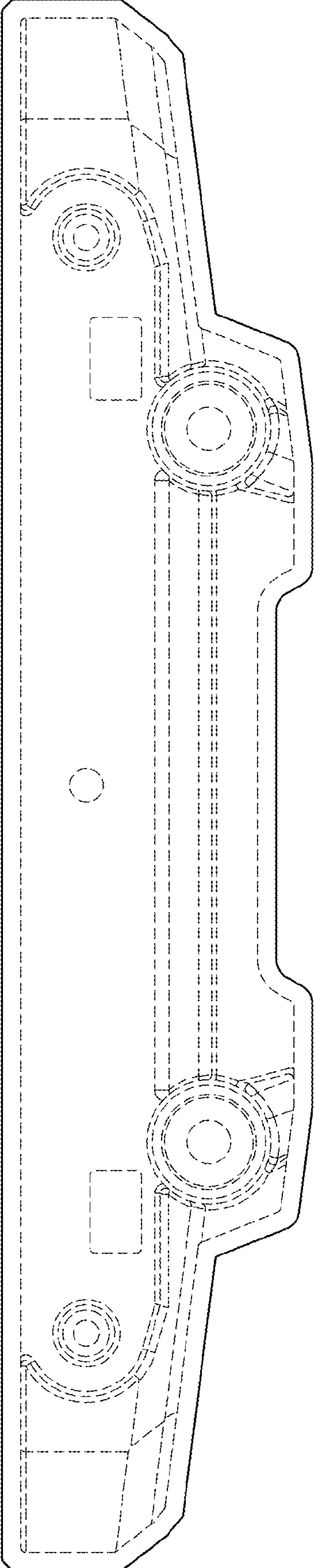


FIG. 3

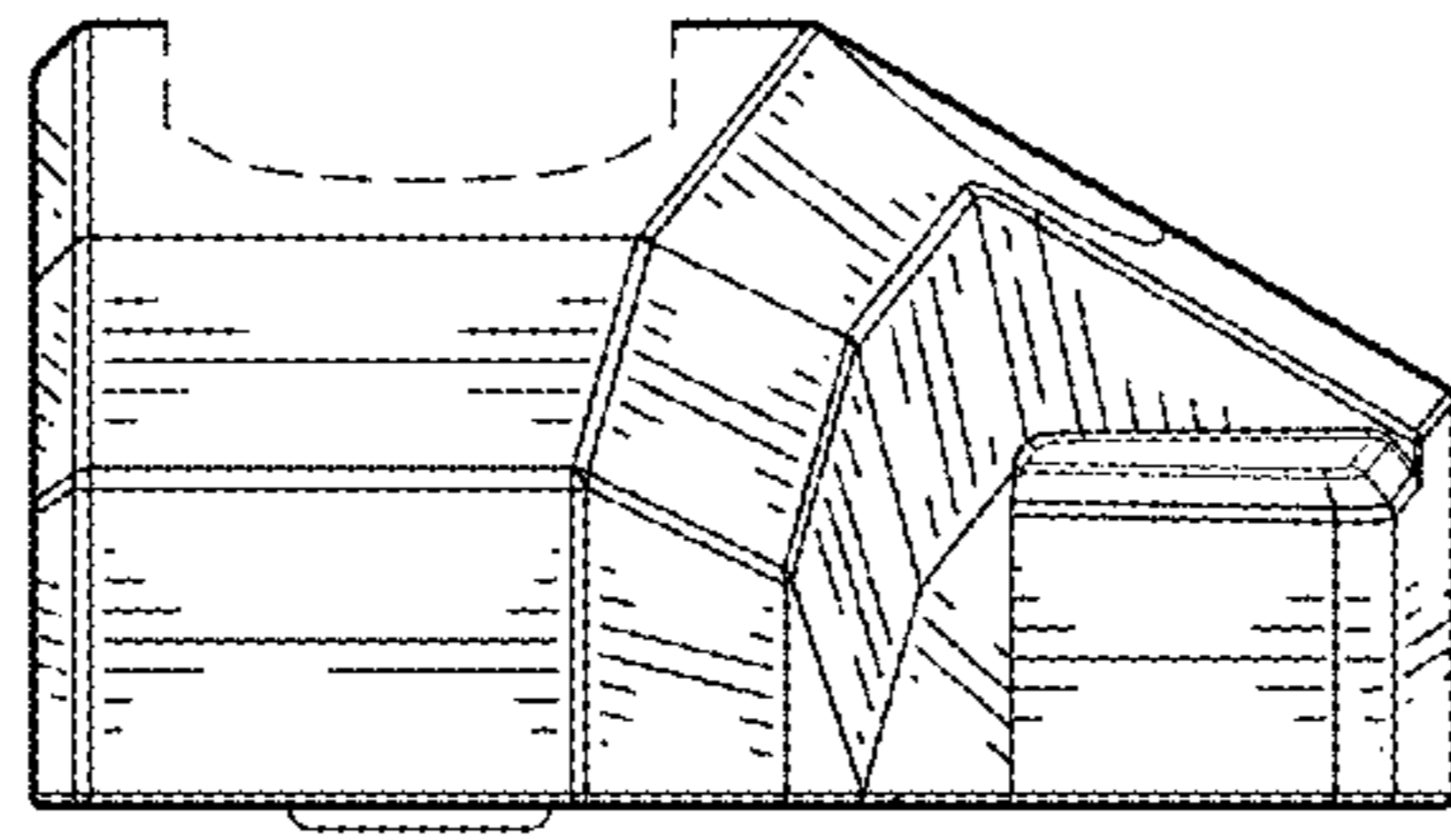


FIG. 5

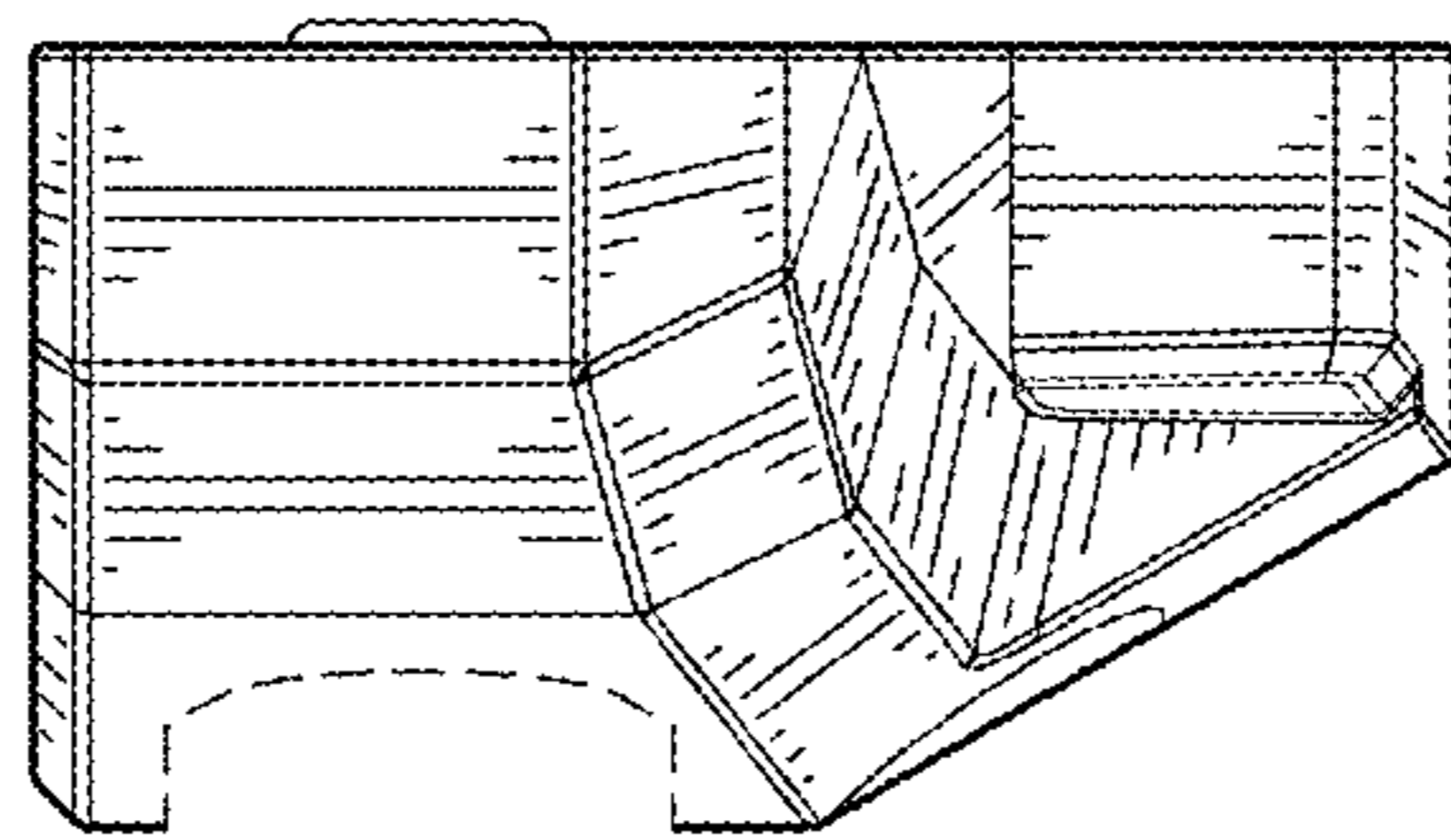


FIG. 4



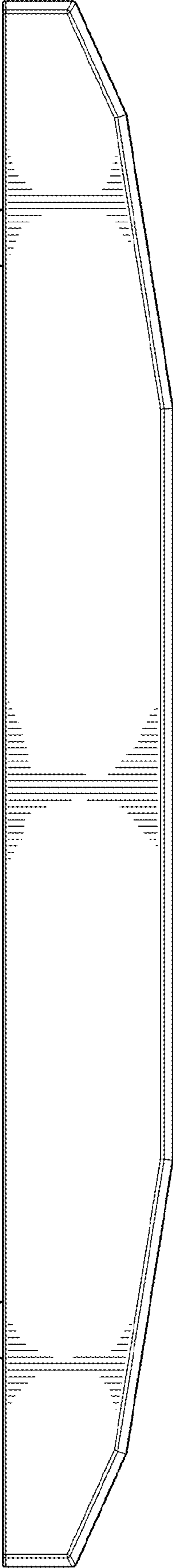


FIG. 6

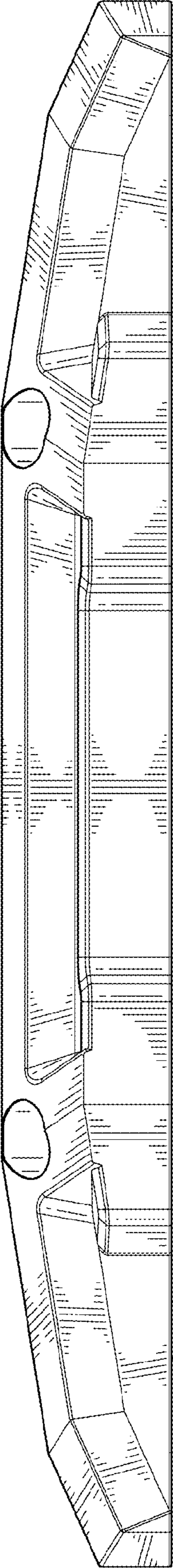


FIG. 7

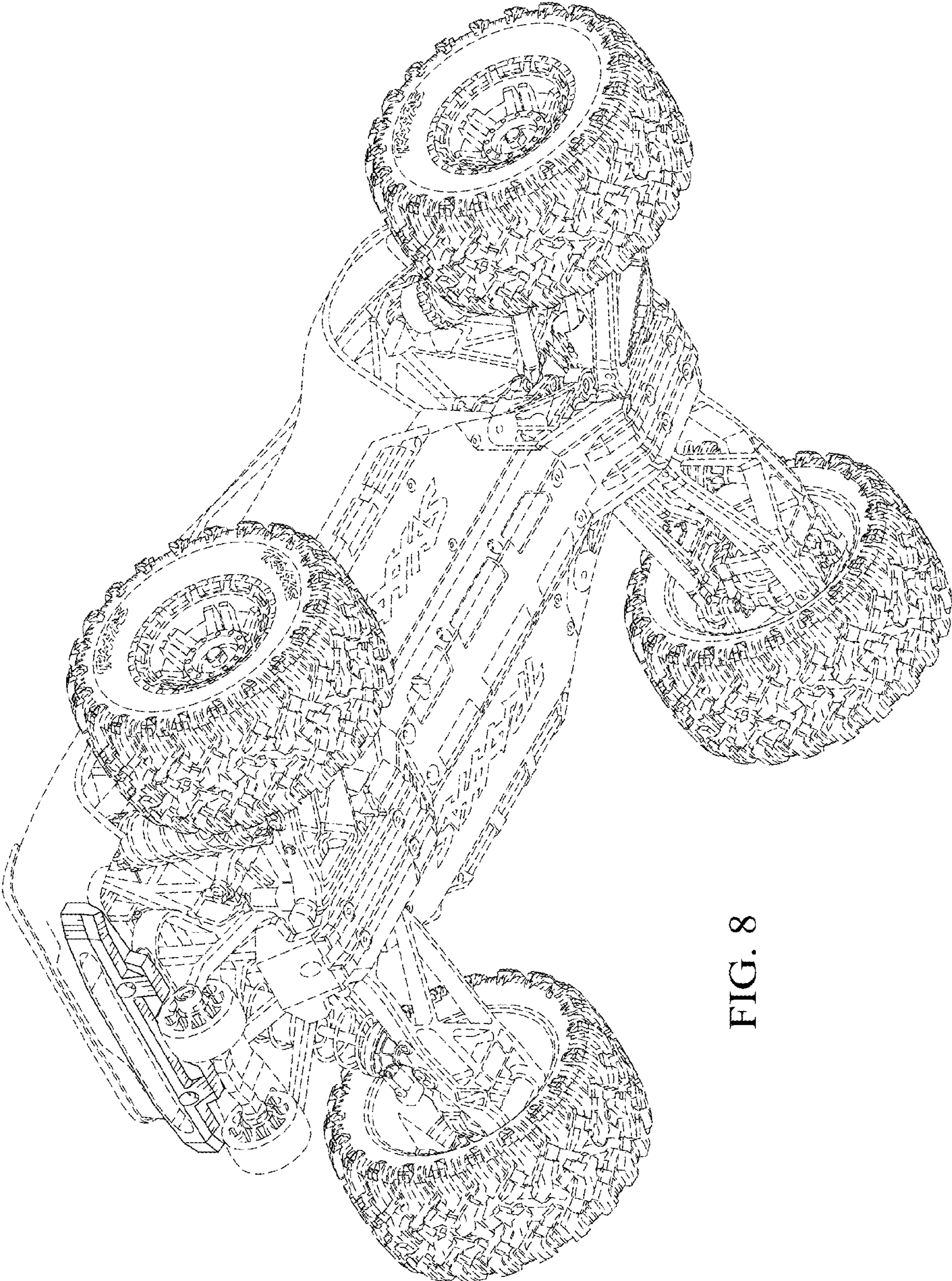


FIG. 8