



US00D904238S

(12) **United States Design Patent**
Harris

(10) **Patent No.:** **US D904,238 S**

(45) **Date of Patent:** **** Dec. 8, 2020**

(54) **SELECTABLE AND HEIGHT ADJUSTABLE HITCH**

(71) Applicant: **Ronnie Harris**, Tifton, GA (US)

(72) Inventor: **Ronnie Harris**, Tifton, GA (US)

(**) Term: **15 Years**

(21) Appl. No.: **29/706,639**

(22) Filed: **Sep. 23, 2019**

(51) **LOC (12) Cl.** **12-16**

(52) **U.S. Cl.**
USPC **D12/162**

(58) **Field of Classification Search**
USPC D12/159-162
CPC . B60D 1/60; B60D 1/065; B60D 1/00; B60D 1/06; B60D 1/36

See application file for complete search history.

(56) **References Cited**

U.S. PATENT DOCUMENTS

D729,704 S	*	5/2015	Song	D12/162
D794,515 S	*	8/2017	McCuskey	D12/162
D800,611 S	*	10/2017	Ramirez, Jr.	D12/162
D847,697 S	*	5/2019	McCuskey	D12/162
D851,545 S	*	6/2019	McCuskey	D12/162
D854,971 S	*	7/2019	McCuskey	D12/162
D856,199 S	*	8/2019	Siegel	D12/162

D869,997 S	*	12/2019	Borkholder	B60D 1/605 D12/162
D873,723 S	*	1/2020	Borkholder	D12/162
D876,290 S	*	2/2020	Kirkland	D12/162
D879,670 S	*	3/2020	Borkholder	D12/162
D888,617 S	*	6/2020	Roysum	D12/162

* cited by examiner

Primary Examiner — Katrina A Betton

(74) *Attorney, Agent, or Firm* — Brian D. Bellamy

(57) **CLAIM**

The ornamental design for a selectable and height adjustable hitch, as shown and described.

DESCRIPTION

FIG. 1 is a perspective view of a selectable and height adjustable hitch showing my new design, the broken line showing of the ball and coupler to the hitch is for illustrative purposes only and forms no part of the claimed design;

FIG. 2 is a left side view thereof;

FIG. 3 is a right side view thereof;

FIG. 4 is a front view thereof; and,

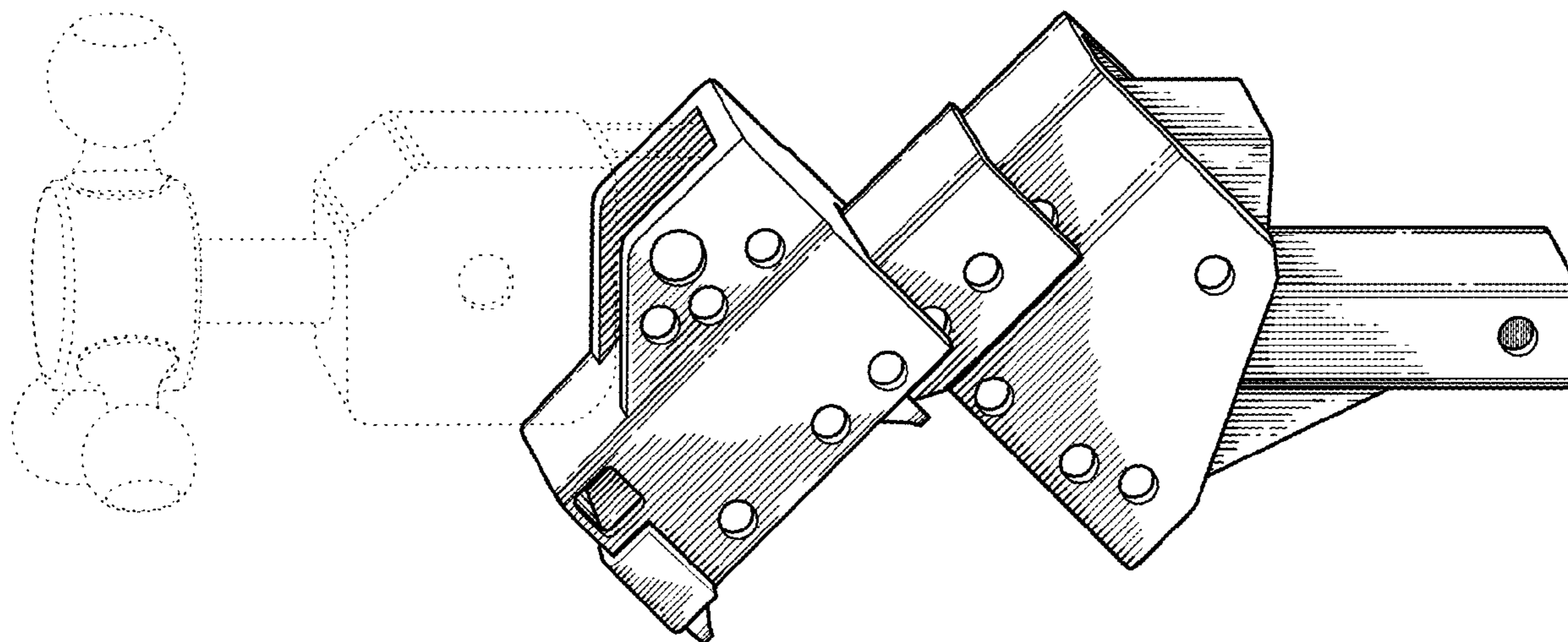
FIG. 5 is a rear view thereof.

FIG. 6 is a top view thereof; and,

FIG. 7 is a bottom view thereof;

The broken-lines in each of the figures form no part of the claimed design.

1 Claim, 4 Drawing Sheets



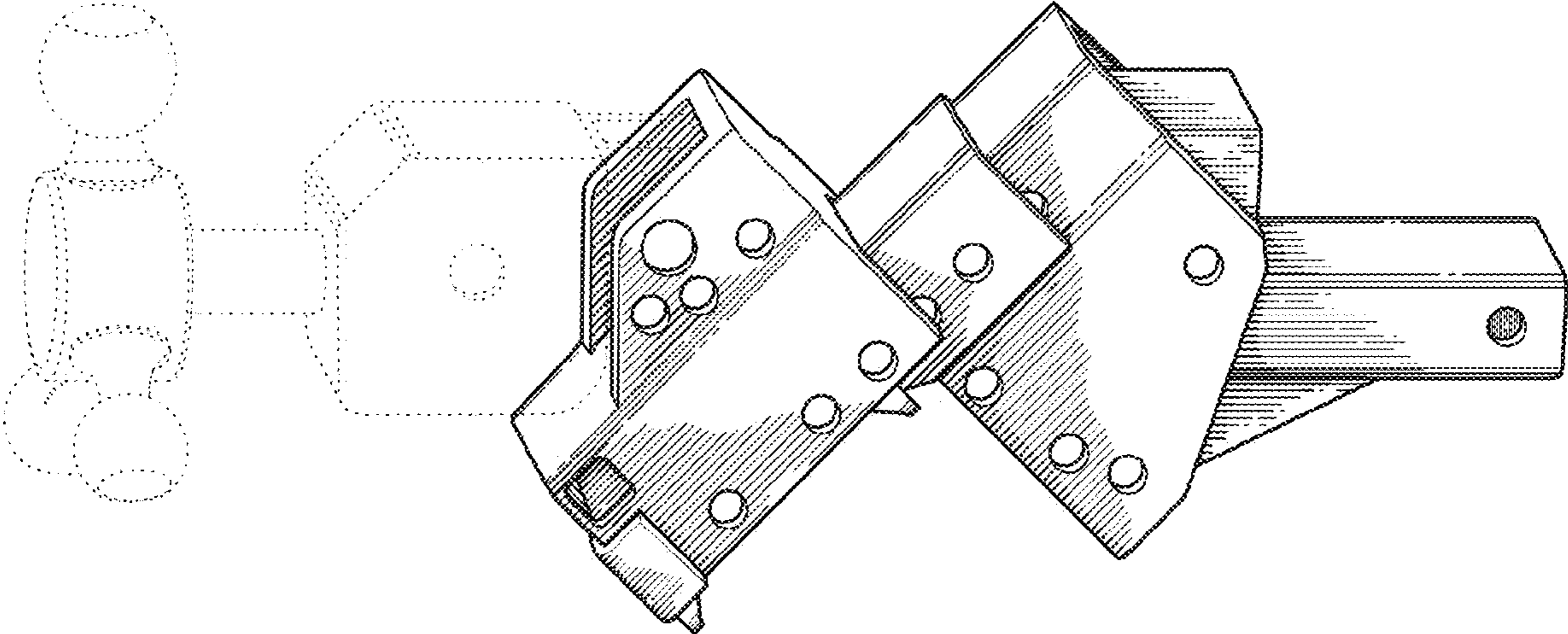


Fig. 1

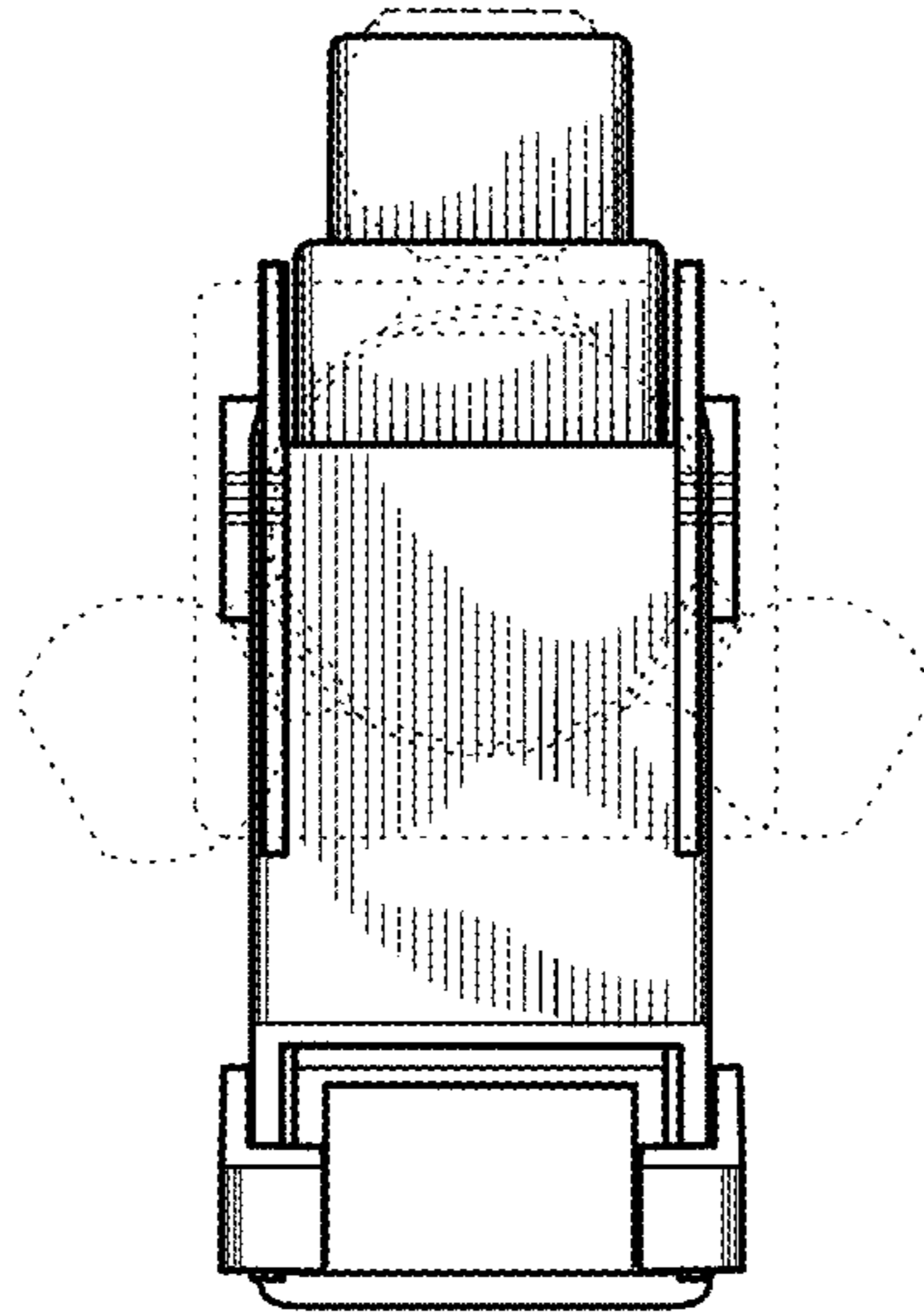


Fig. 2

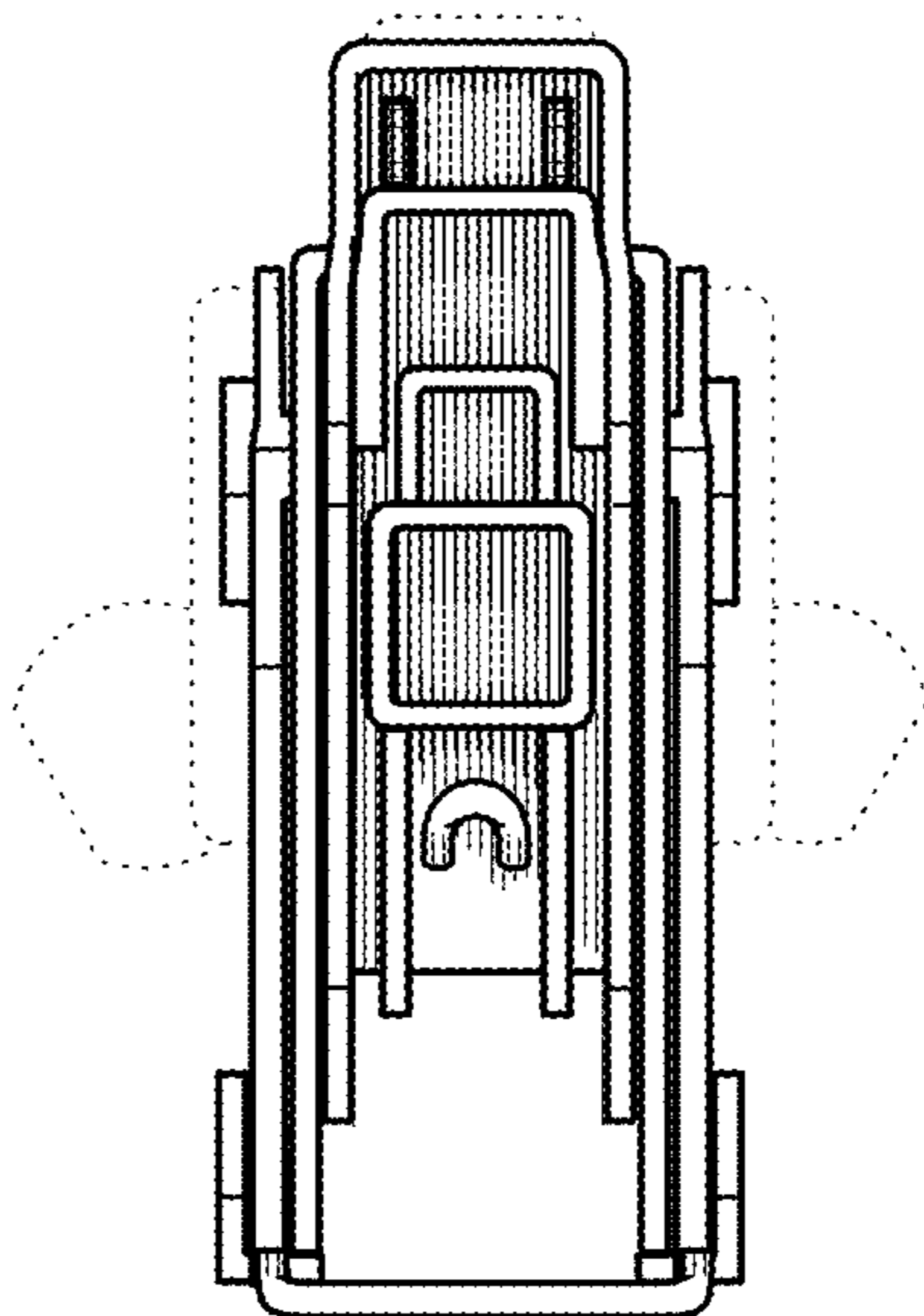


Fig. 3

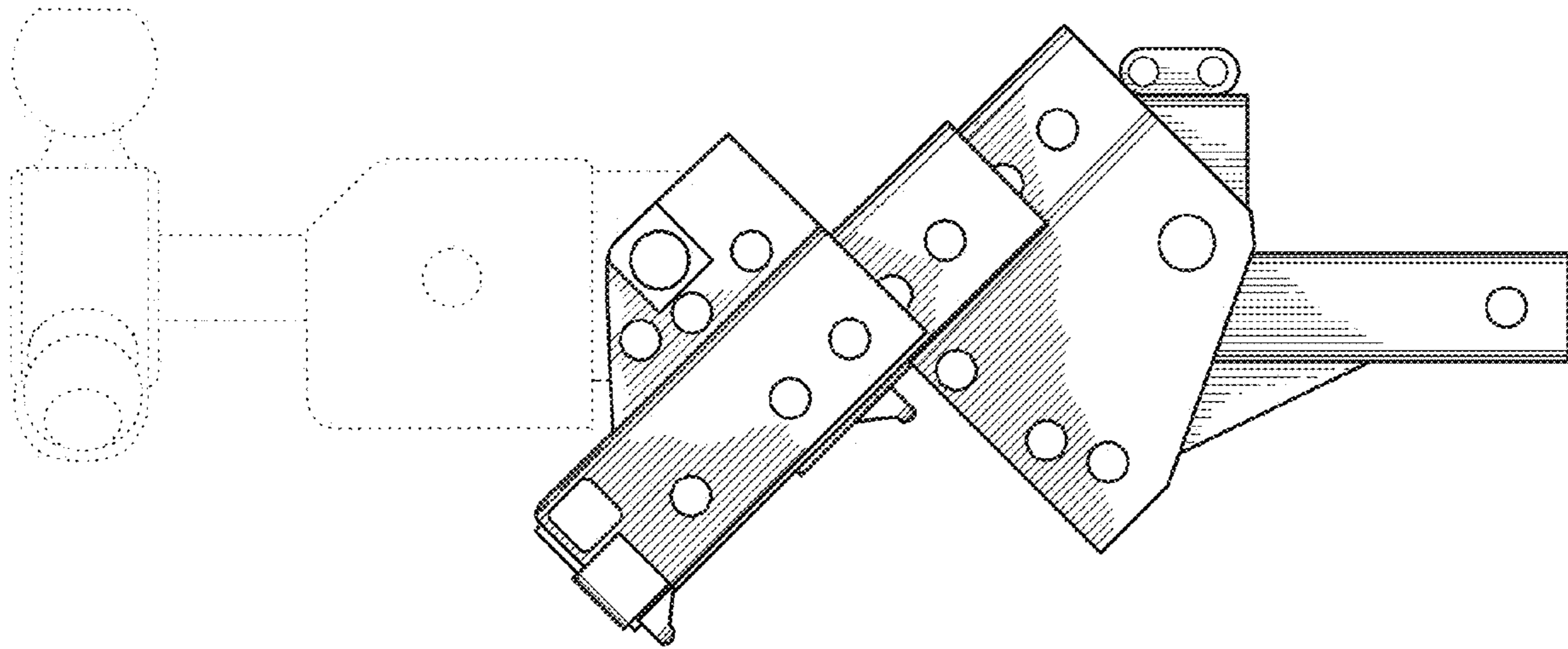


Fig. 4

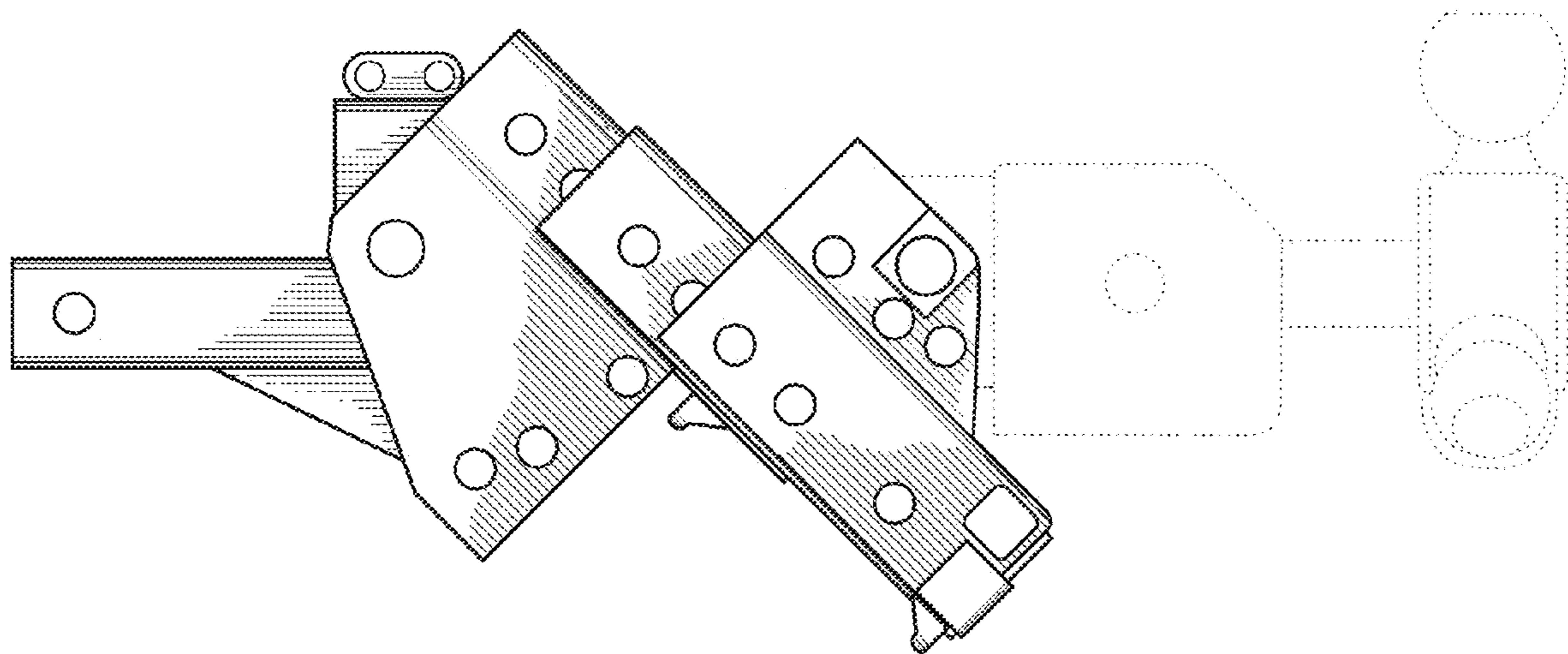


Fig. 5

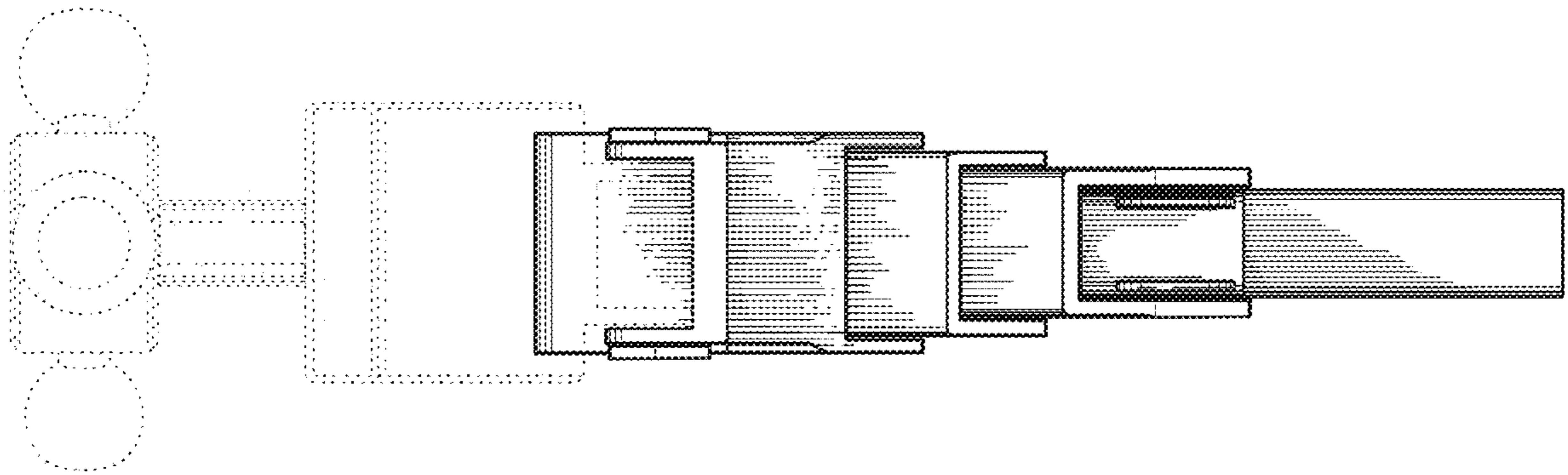


Fig. 6

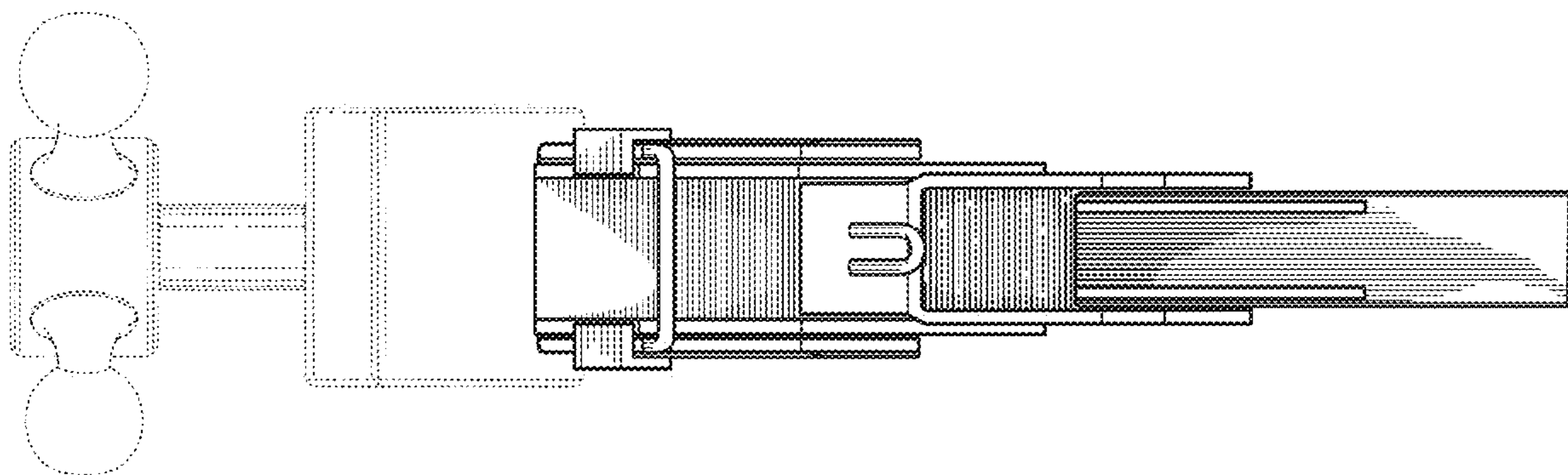


Fig. 7