



US00D904236S

(12) **United States Design Patent** (10) **Patent No.:** **US D904,236 S**
Arrowood (45) **Date of Patent:** **** Dec. 8, 2020**

(54) **RECEIVER HITCH COVER**

(71) Applicant: **John Arrowood**, Limestone, TN (US)

(72) Inventor: **John Arrowood**, Limestone, TN (US)

(**) Term: **15 Years**

(21) Appl. No.: **29/694,932**

(22) Filed: **Jun. 14, 2019**

(51) **LOC (12) Cl.** **12-16**

(52) **U.S. Cl.**
USPC **D12/162**

(58) **Field of Classification Search**
USPC D12/159-162, 203, 223, 400; 37/399;
280/406.2, 407, 407.1, 408, 411.1,
280/416.1-416.3, 418, 418.1, 433, 434,
280/435, 441.1, 441.2, 455.1, 456.1, 480,
280/493, 504, 507, 508; 224/42.11,
224/42.12, 42.14, 42.26, 400, 401, 412,
224/413, 488, 494, 500-501, 519, 537;
135/88.05; 150/166; D11/157-164, 53,
D11/83, 101, 135, 136; D21/640, 576,
D21/578, 594, 621, 627, 635
CPC . B60D 1/60; B60D 1/065; B60D 1/00; B60D
1/06; B60D 1/36; B60D 1/46; B60R 9/06
See application file for complete search history.

(56) **References Cited**

U.S. PATENT DOCUMENTS

3,593,455	A	7/1971	Farris	
D229,377	S *	11/1973	Johnson	D6/674
D230,283	S *	2/1974	Johnson	D11/159
D253,340	S	11/1979	Friedrich	
D307,564	S	5/1990	Mabry	
D359,018	S *	6/1995	Thigpen	D12/162
D401,193	S *	11/1998	Julian	D12/162
D413,291	S *	8/1999	Corns, Jr.	D12/162
D450,638	S *	11/2001	Calderon	D12/162
D462,303	S *	9/2002	Swiggart	D12/162

D475,328	S *	6/2003	Murguia	D12/162
D485,218	S *	1/2004	Bentley	D12/162
D491,846	S	1/2004	Summerhill	
D503,544	S *	4/2005	Scanlan	D6/320
D513,211	S *	12/2005	Murguia	D12/162
D519,424	S *	4/2006	Fisher	D12/162
D529,418	S *	10/2006	Muhlnickel	D12/162
D531,095	S *	10/2006	Murguia	D12/162
D539,696	S	4/2007	Palmer	
D553,548	S *	10/2007	Douglas	D12/194

(Continued)

OTHER PUBLICATIONS

Texas Tech Red Raiders Premium Steel Hitch Cover, Shop.TexasTech.com, [online], [site visited May 8, 2020]. <URL: https://shop.texas-tech.com/texas-tech-red-raiders-premium-steel-hitch-cover/p-25919632996171+z-9521-4185899806?_ref=p-DLP:m-GRID:i-r0c0:po-0> (Year: 2020).*

(Continued)

Primary Examiner — T Chase Nelson
Assistant Examiner — Jonathan J. Han

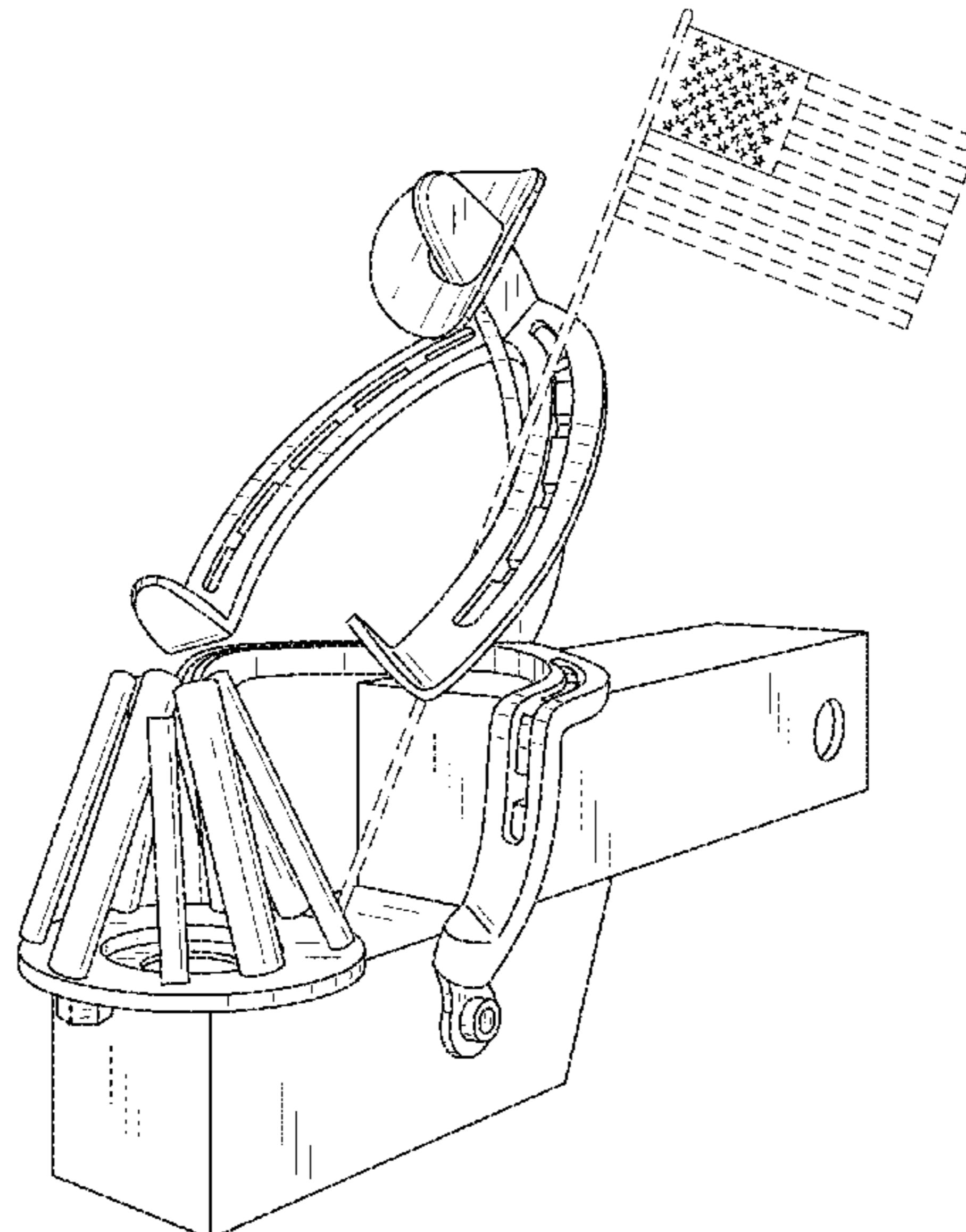
(57) **CLAIM**

The ornamental design for a receiver hitch cover, as shown and described.

DESCRIPTION

FIG. 1 is a front view of a receiver hitch cover showing my new design;
FIG. 2 is a rear view of the receiver hitch cover;
FIG. 3 is a right side view of the receiver hitch cover;
FIG. 4 is a left side view of the receiver hitch cover;
FIG. 5 is a top view of the receiver hitch cover;
FIG. 6 is a bottom view of the receiver hitch cover; and,
FIG. 7 is a top front side perspective view of the receiver hitch cover.
The broken lines in FIG. 7 are illustrative of environmental structure forming no part of the claimed design.

1 Claim, 5 Drawing Sheets



(56)

References Cited

U.S. PATENT DOCUMENTS

D563,301 S * 3/2008 Douglas D12/194
 D574,759 S * 8/2008 Thigpen D12/162
 D574,760 S * 8/2008 Thigpen D12/162
 D575,685 S * 8/2008 Thigpen D12/162
 7,419,177 B2 * 9/2008 Kottke B60D 1/36
 280/511
 D581,842 S * 12/2008 Skogen D12/162
 D612,775 S * 3/2010 Davis D12/162
 D623,099 S * 9/2010 Wise D12/162
 D629,338 S * 12/2010 Ceccarelli D12/162
 D632,231 S * 2/2011 Mattucci D12/162
 D646,046 S * 10/2011 Paine D2/642
 D677,148 S * 3/2013 Hammer D8/402
 8,550,487 B2 10/2013 Fox
 D706,688 S * 6/2014 Baldwin D12/162
 D709,805 S * 7/2014 Hill D12/162
 D711,292 S * 8/2014 Sarajian D12/162
 9,434,225 B1 9/2016 Corsaut
 D795,756 S * 8/2017 McCuskey D12/162

D796,383 S * 9/2017 Lamb D12/106
 D841,526 S * 2/2019 Siegel D12/162
 D847,698 S * 5/2019 Moore D12/162
 D863,124 S * 10/2019 Siegel D12/162
 2006/0209549 A1 9/2006 Valdez
 2008/0252042 A1 * 10/2008 Sparkes B60D 1/00
 280/491.3

OTHER PUBLICATIONS

Hitch Critters—Whoa Horsey, YouTube.com, hitchcritters, Published on Feb. 29, 2012, [online], [site visited May 8, 2020]. <URL: <https://www.youtube.com/watch?v=yRfeCjTtXb0>> (Year: 2012).*

Gameday Ironworks Hitch Cover, Swinging-Pete-Shop.MyShopify.com, [online], [site visited May 8, 2020]. <URL: <https://swinging-pete-shop.myshopify.com/products/hitch-cover>> (Year: 2020).*

Custom Hitch Covers, HorseShoeNation.com, [online], [site visited May 8, 2020]. <URL: <https://www.horseshoenation.com/custom-hitch-covers/>> (Year: 2020).*

* cited by examiner

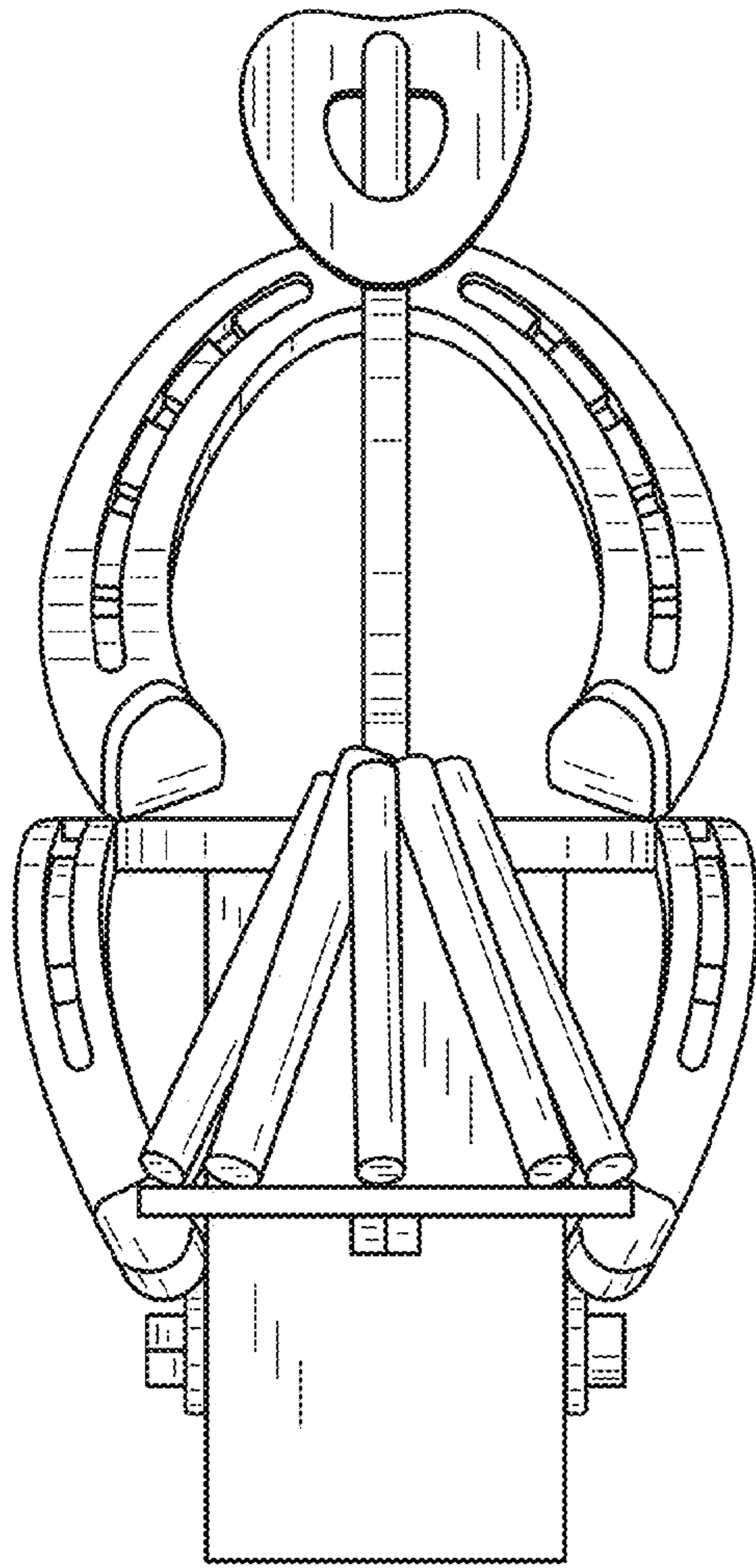


FIG. 1

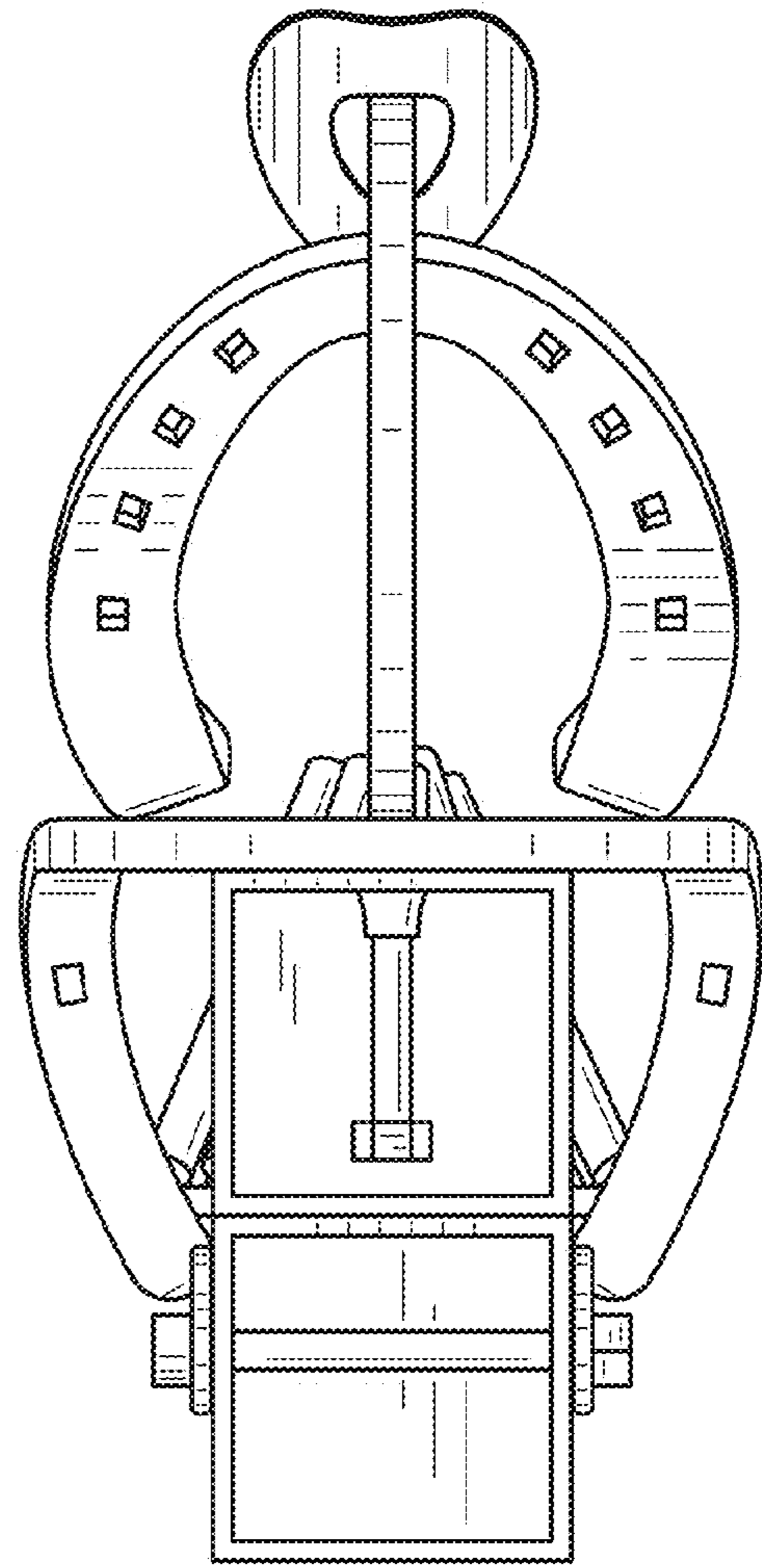


FIG. 2

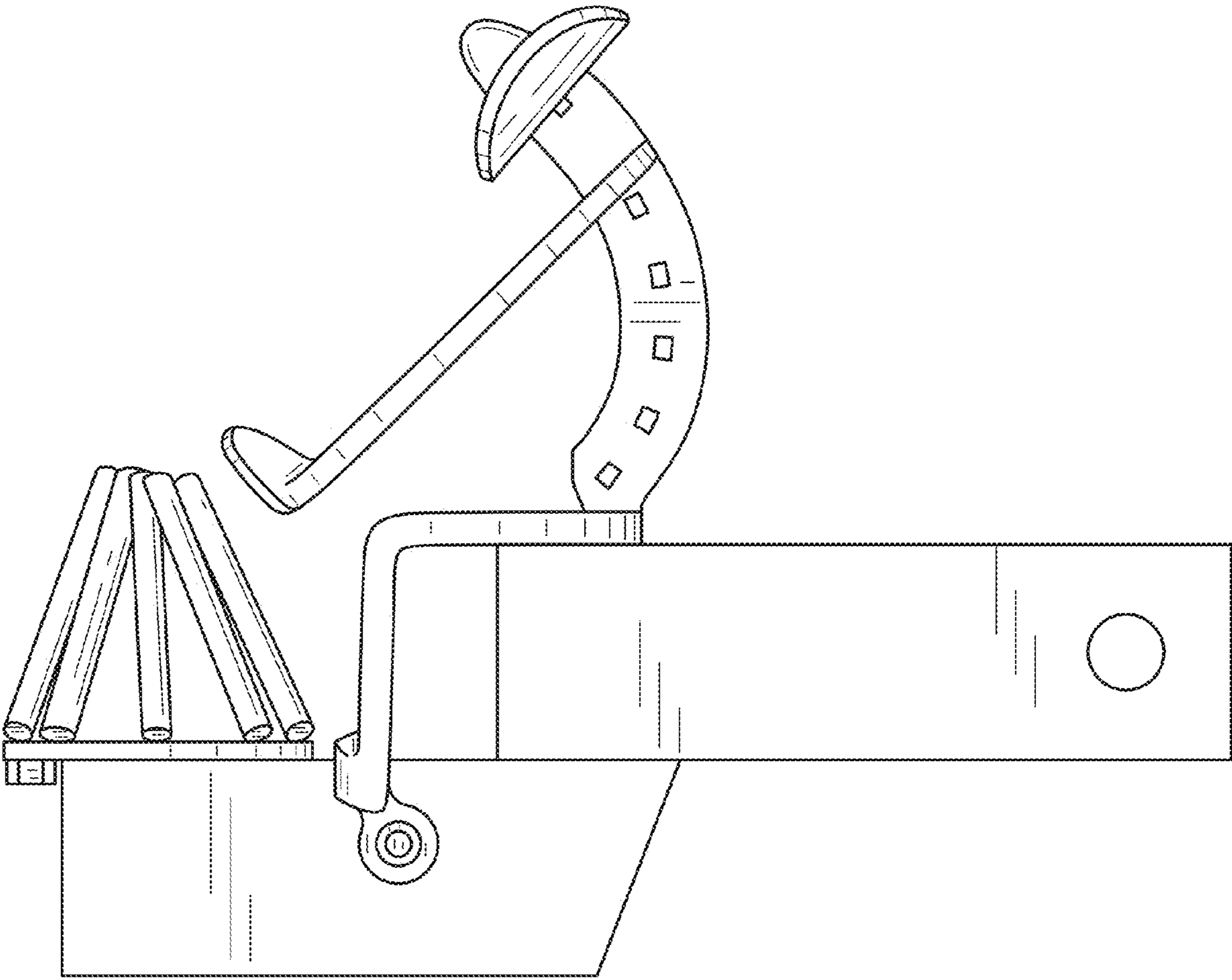


FIG. 3

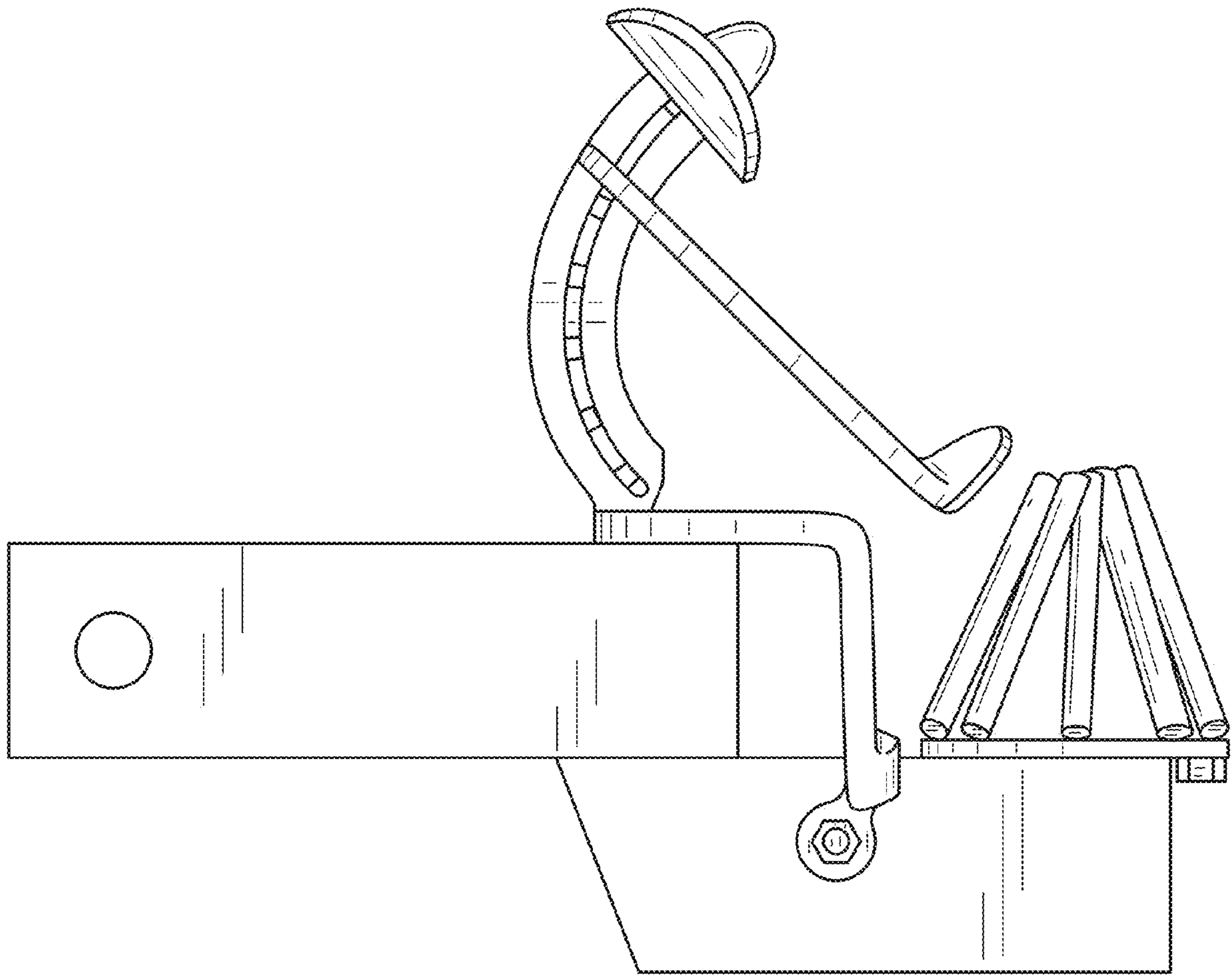


FIG. 4

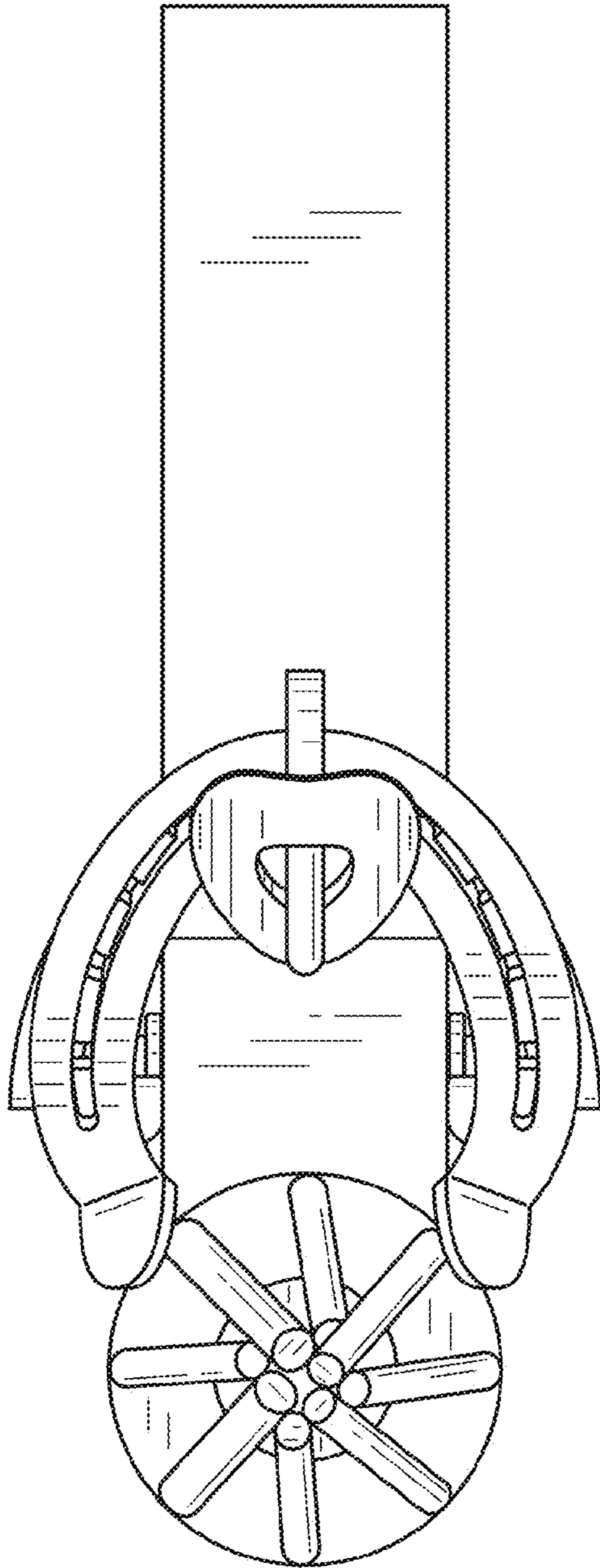


FIG. 5

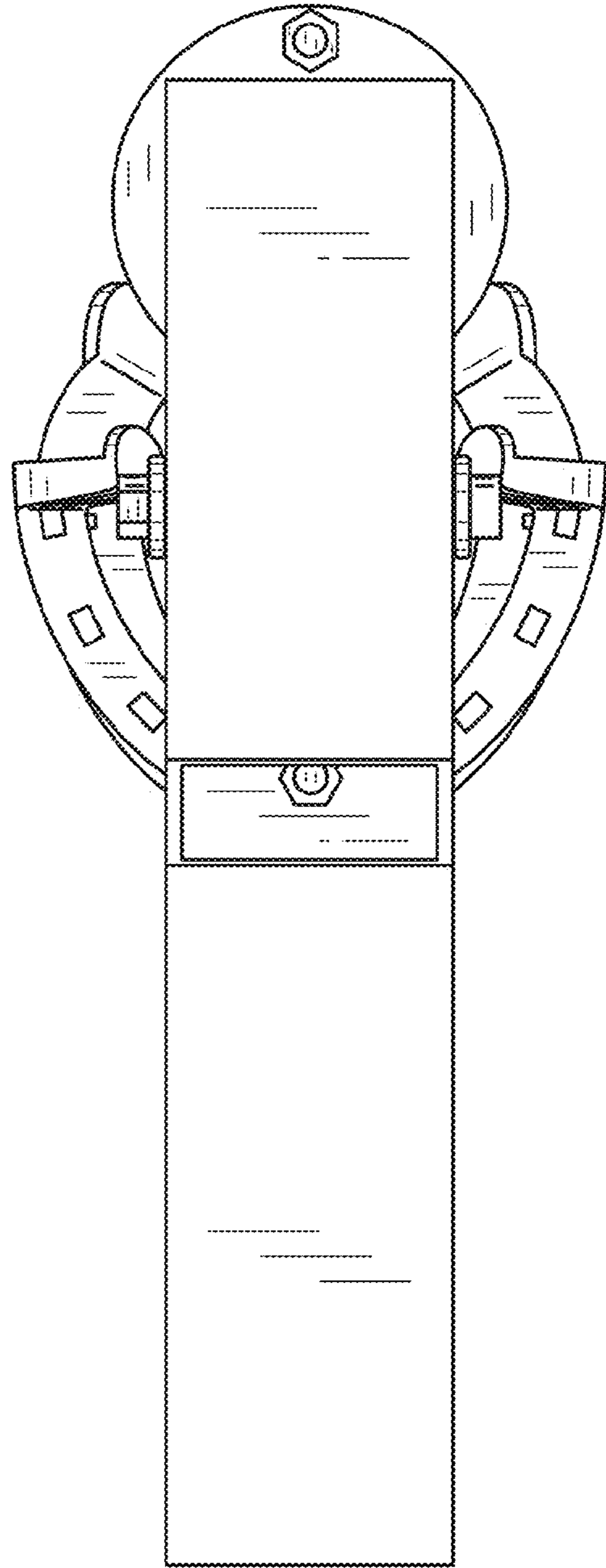


FIG. 6

FIG. 7

