



US00D904235S

(12) **United States Design Patent**
Castro

(10) **Patent No.:** **US D904,235 S**

(45) **Date of Patent:** **** Dec. 8, 2020**

(54) **CHILD TRICYCLE**

(71) Applicant: **Juan Manuel Torralvo Castro,**
Corboda (ES)

(72) Inventor: **Juan Manuel Torralvo Castro,**
Corboda (ES)

(**) Term: **15 Years**

(21) Appl. No.: **29/676,297**

(22) Filed: **Jan. 10, 2019**

(51) **LOC (12) Cl.** **12-11**

(52) **U.S. Cl.**
USPC **D12/112; D21/424**

(58) **Field of Classification Search**
USPC D12/1, 107, 110–114, 129, 130, 133;
D21/412, 414, 419, 423–428, 431–435
CPC B62K 3/005; B62K 9/02; B62M 1/32;
B62M 1/38
See application file for complete search history.

(56) **References Cited**

U.S. PATENT DOCUMENTS

D224,254 S *	7/1972	Hill	D12/112
D231,209 S *	4/1974	Williams	D12/112
D251,264 S *	3/1979	Cook	D12/112
4,168,846 A *	9/1979	Carren	B62K 5/02 280/278
D480,024 S *	9/2003	Gunter	D12/112
D480,665 S *	10/2003	Gunter	D12/112
D483,420 S *	12/2003	DeLong	D21/424
D484,073 S *	12/2003	Heinemann	D12/112
D564,041 S *	3/2008	Rodriguez	D21/435
D582,489 S *	12/2008	Badanjo	D21/435

D593,910 S *	6/2009	Calvin	D12/112
D645,381 S *	9/2011	Bricker	D12/112
D693,415 S *	11/2013	Doherty	D12/112
8,596,649 B2 *	12/2013	Bricker	B62K 9/02 280/282
D714,693 S *	10/2014	Bartels	D12/112
2012/0256389 A1 *	10/2012	Chen	B62J 6/00 280/259
2013/0256048 A1 *	10/2013	Chen	B62K 5/027 180/211

* cited by examiner

Primary Examiner — Darlington Ly

(74) *Attorney, Agent, or Firm* — Michael J. Foycik, Jr.

(57) **CLAIM**

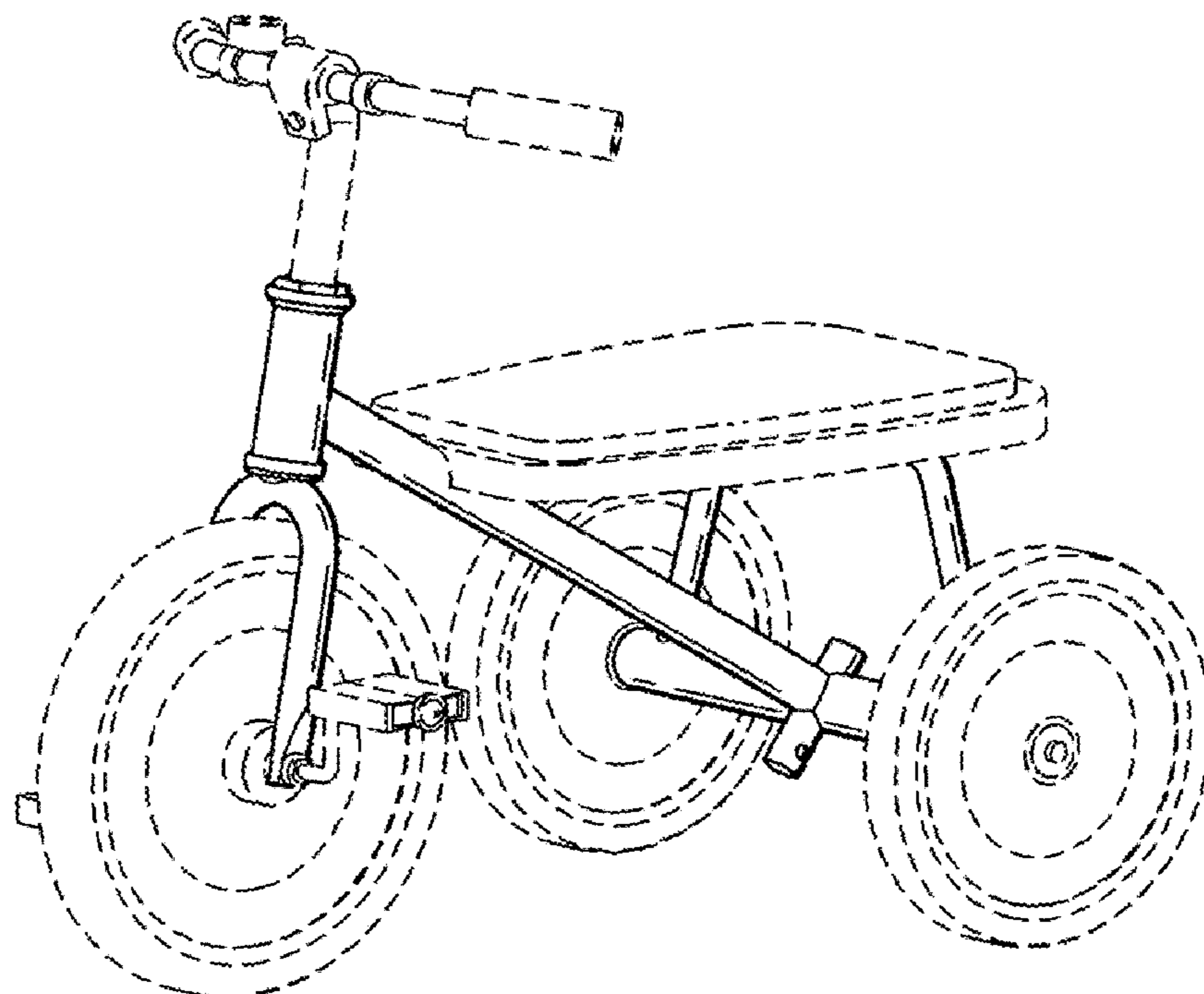
The ornamental design for a child tricycle, as shown and described.

DESCRIPTION

FIG. 1 is a front and left perspective view of a child tricycle showing my new design as assembled with auxiliary handlebars, seat, pedals, wheels, and tires in broken lines; FIG. 2 is a front and left side perspective view of the child tricycle frame portion; FIG. 3 is a right side elevational view thereof; FIG. 4 is a top plan view thereof; FIG. 5 is a bottom plan view thereof; FIG. 6 is a front elevation view thereof; FIG. 7 is a rear elevational view thereof; and, FIG. 8 is a front and left side perspective view of the child tricycle in FIG. 1 with the addition of a parent handle and basket in broken lines.

The broken lines in the drawings illustrate portions of the child tricycle that form no part of the claimed design.

1 Claim, 4 Drawing Sheets



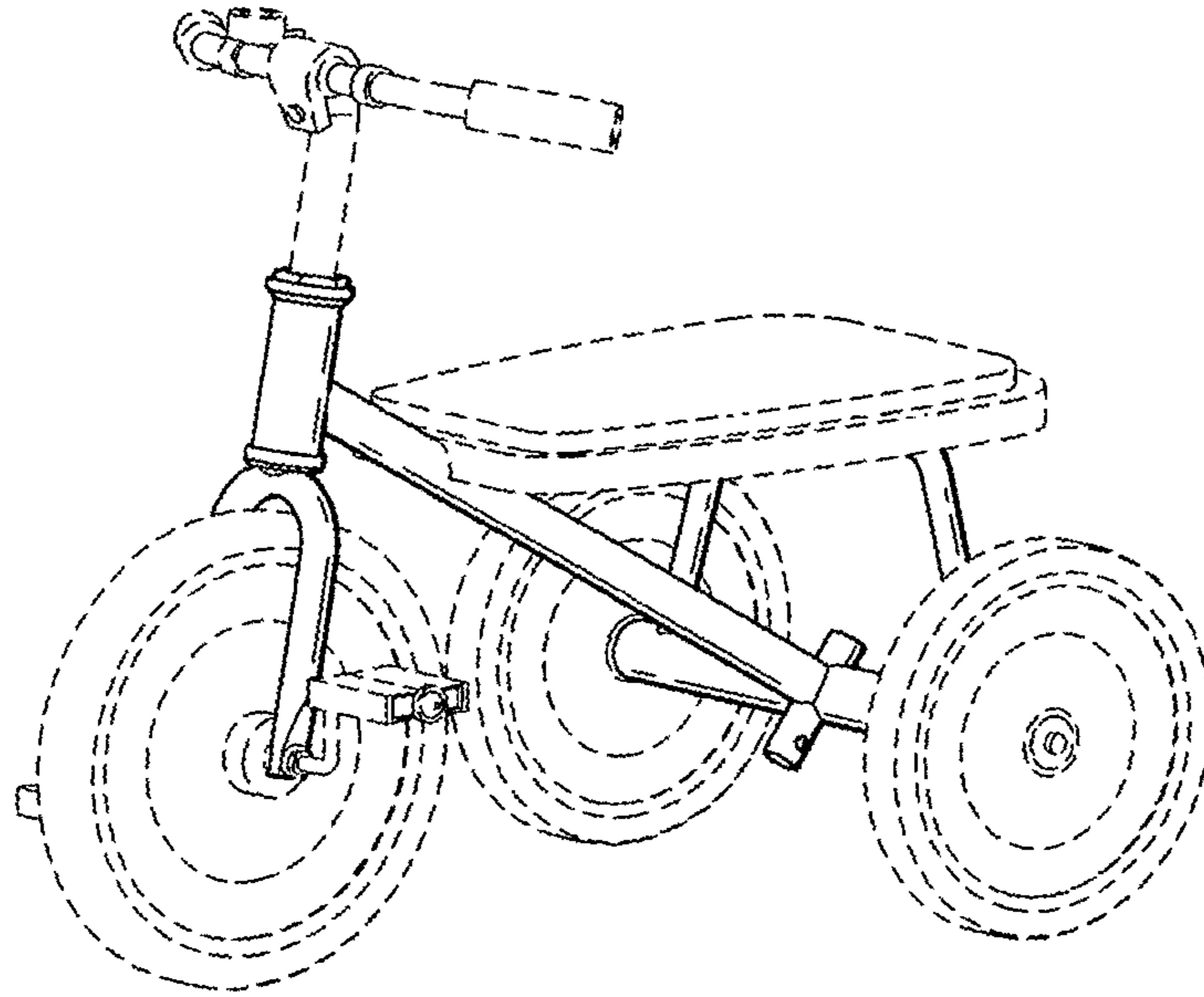


FIG. 1

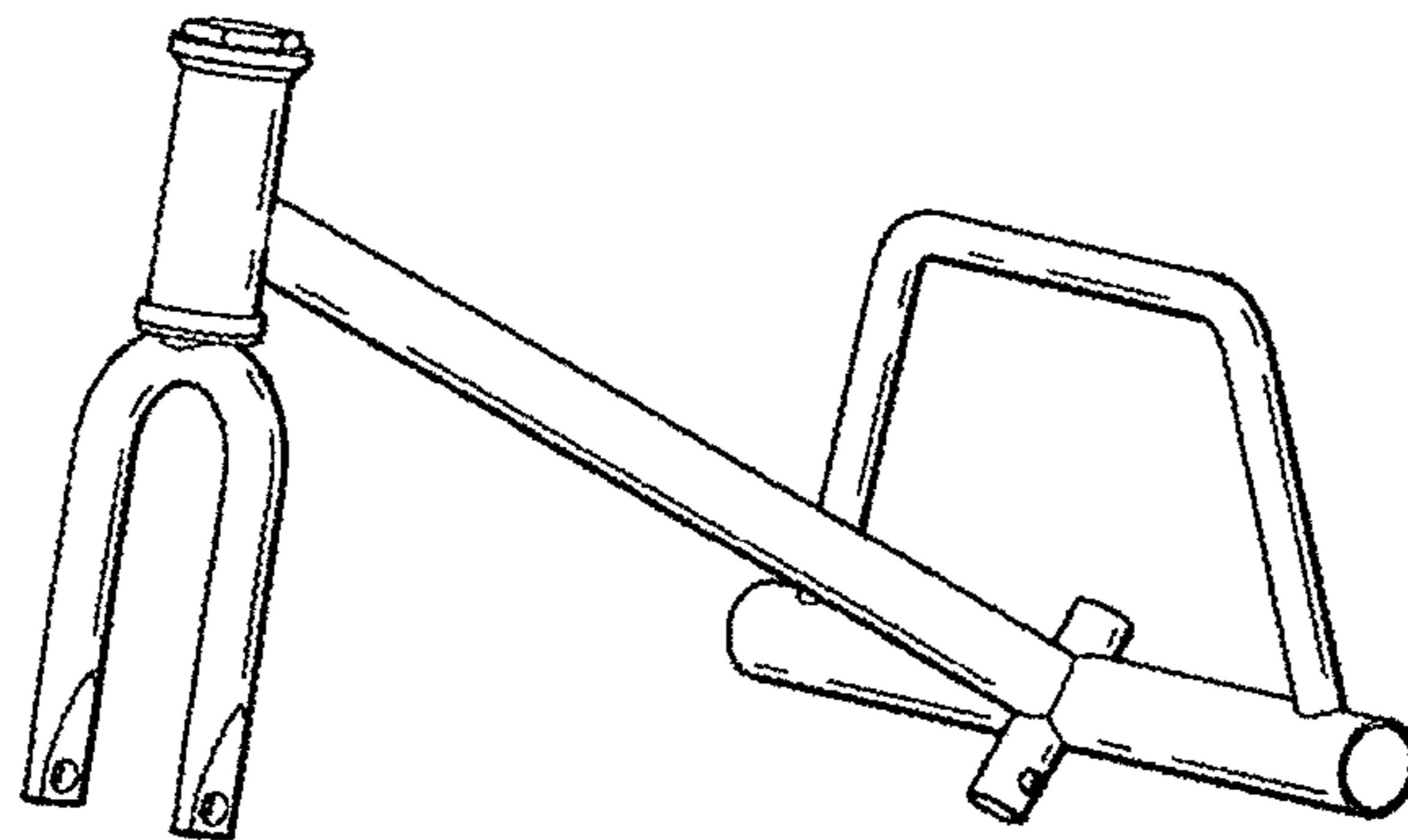


FIG. 2

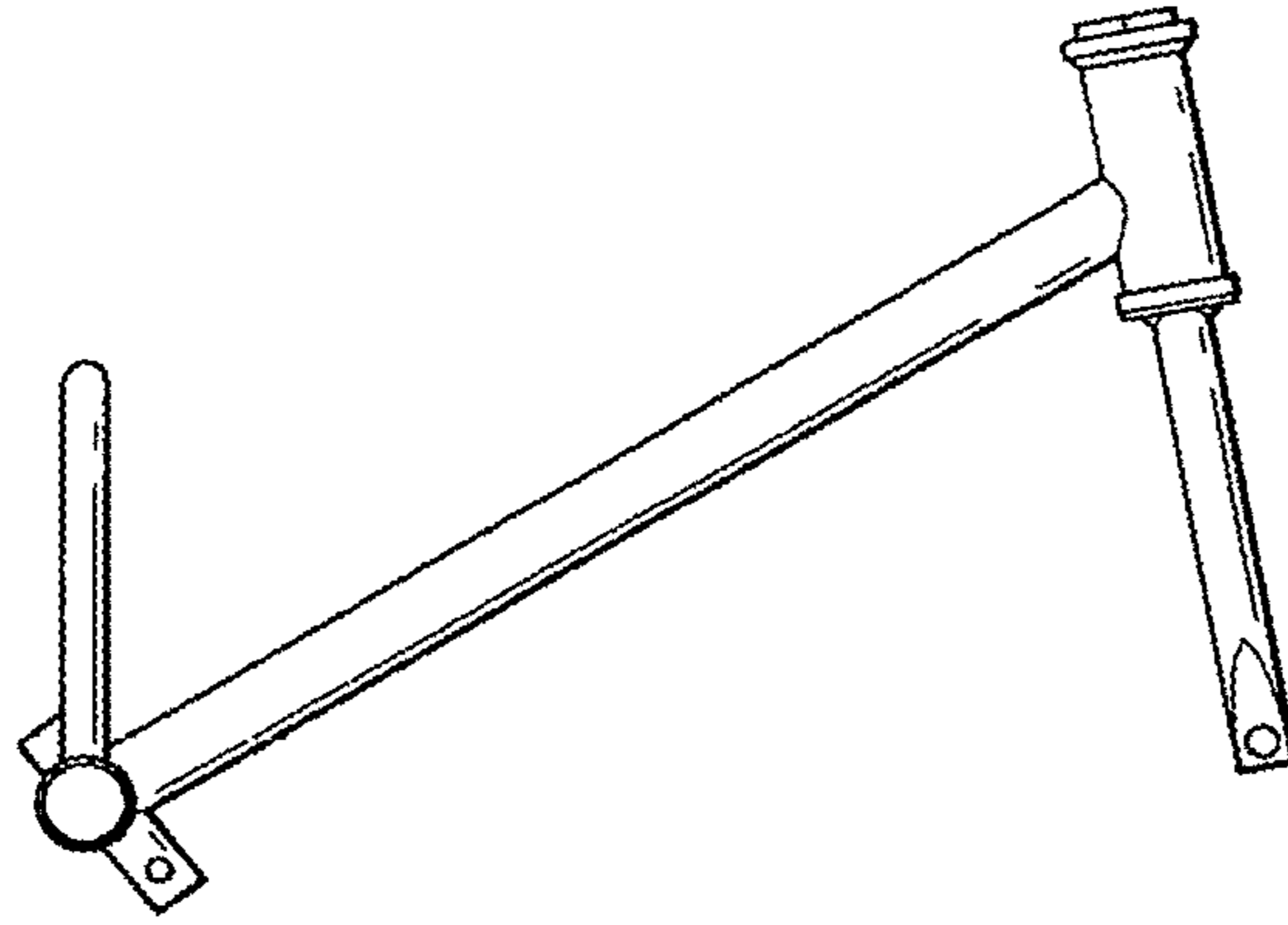


FIG. 3

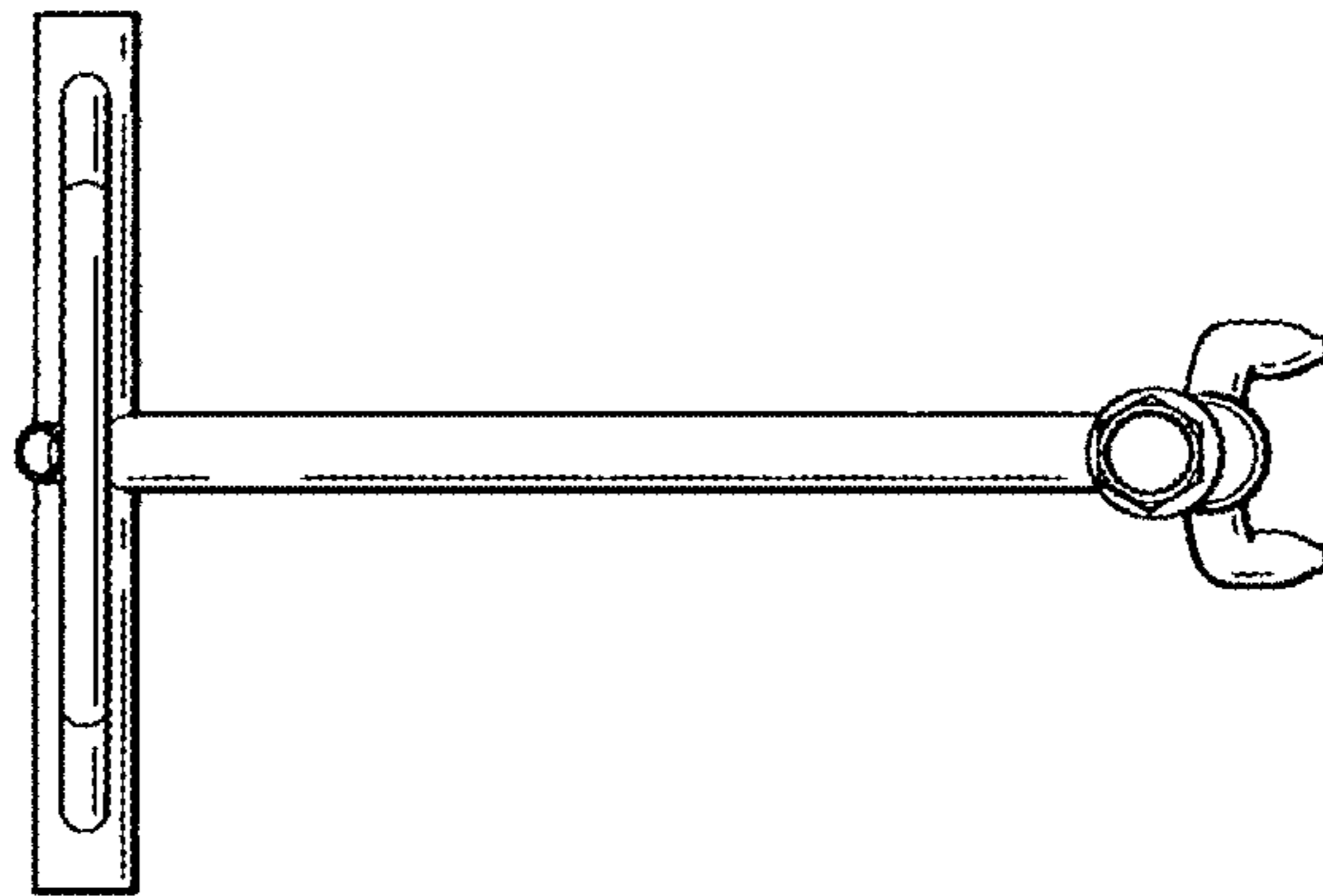


FIG. 4

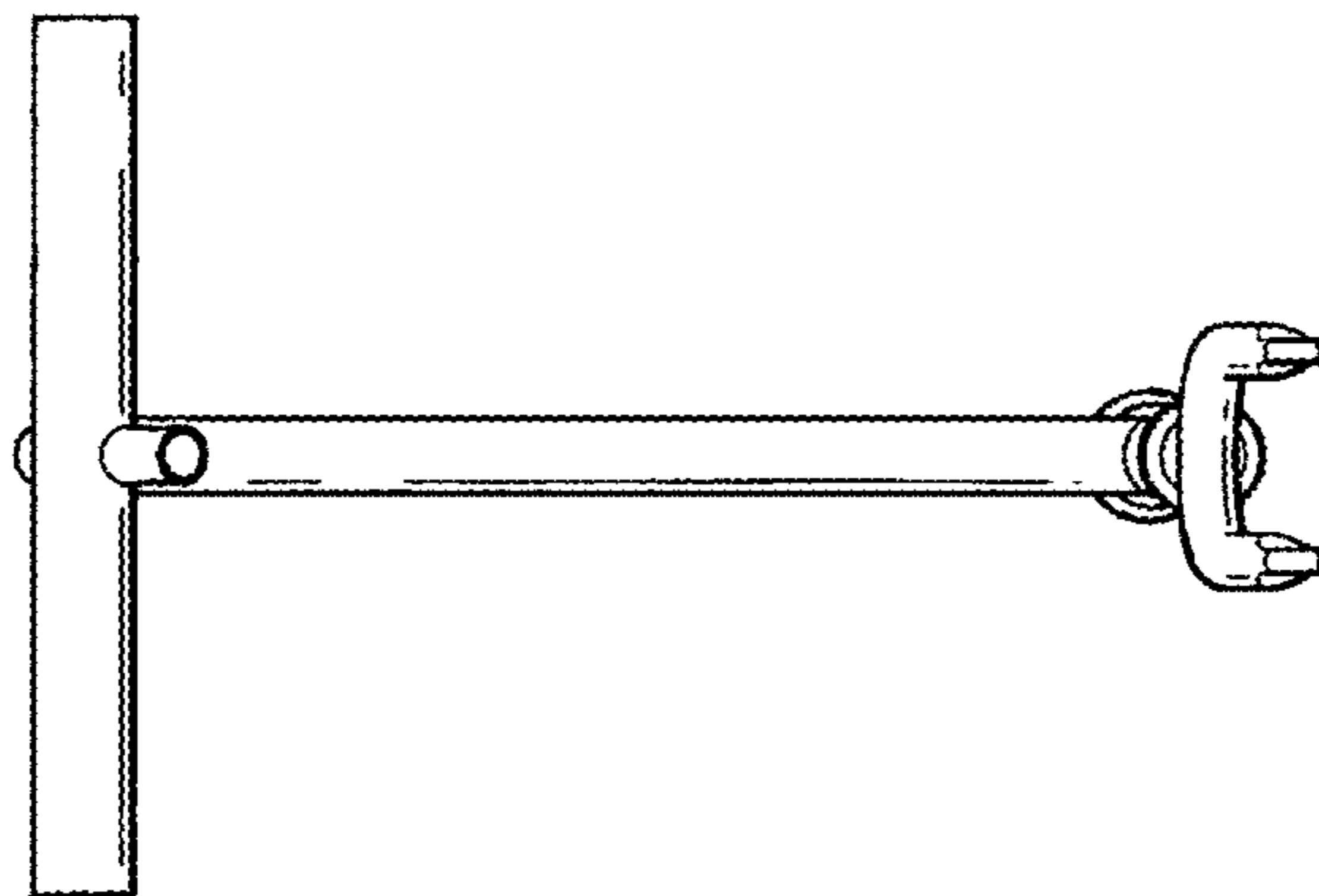


FIG. 5

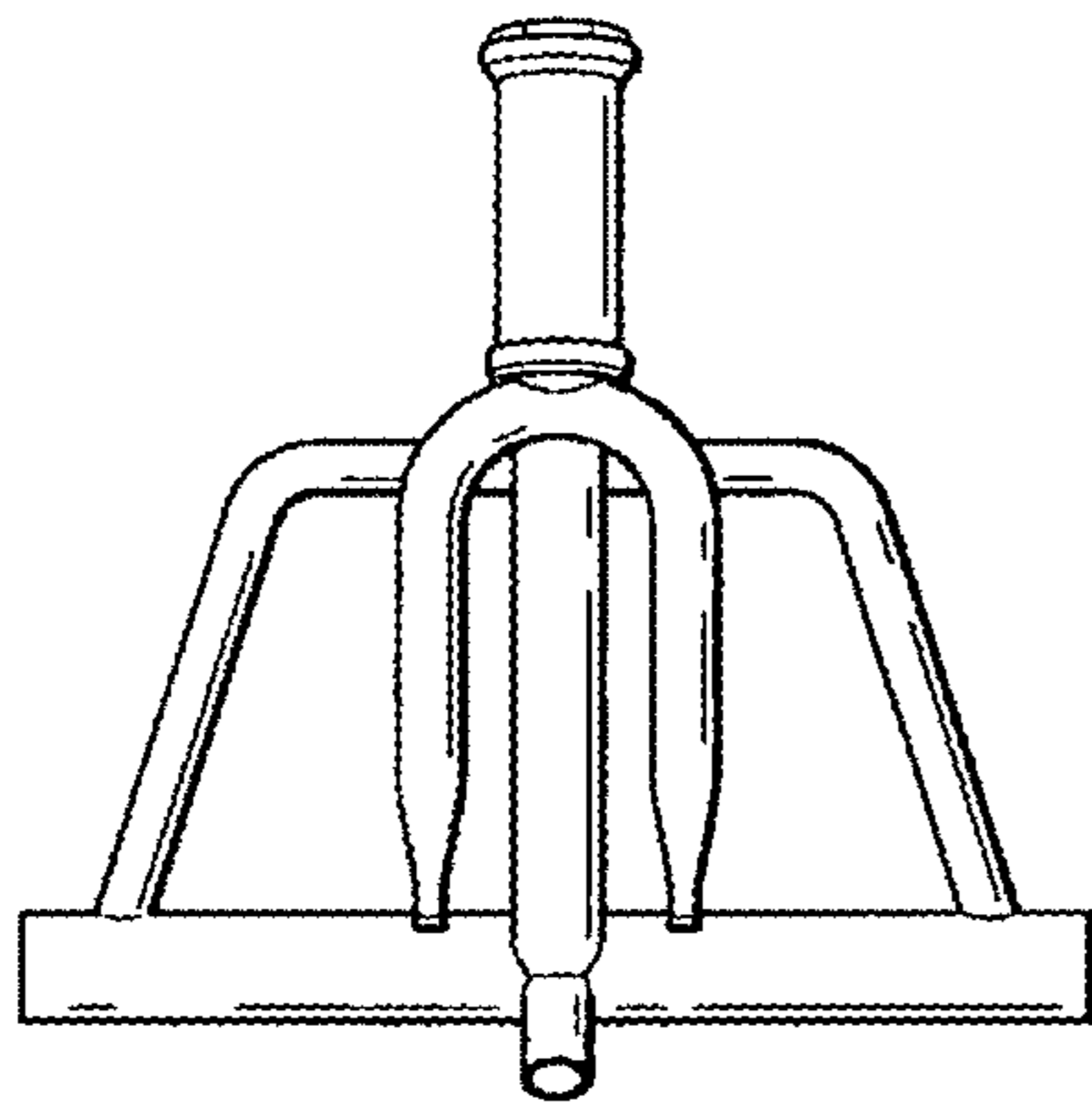


FIG. 6

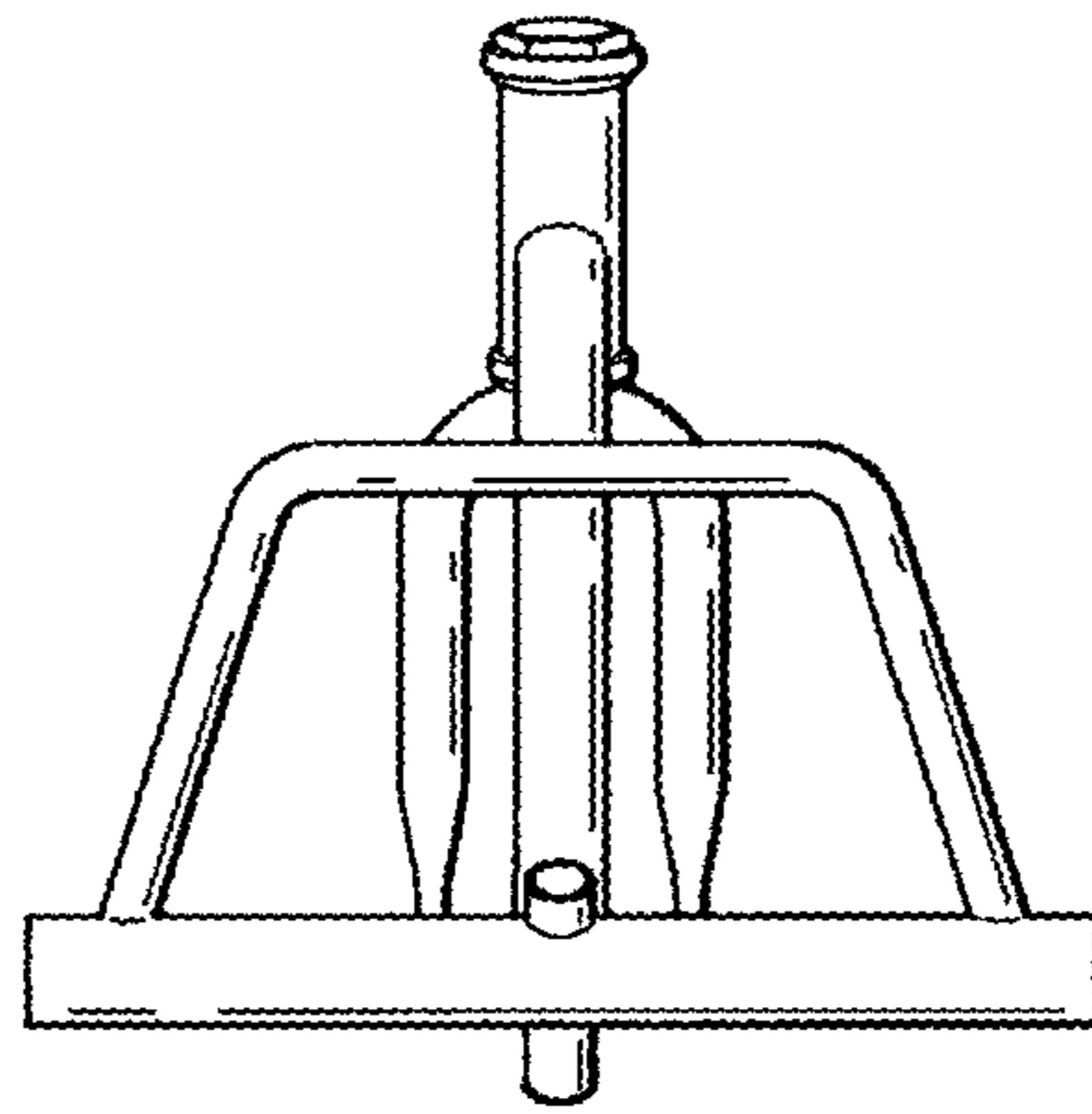


FIG. 7

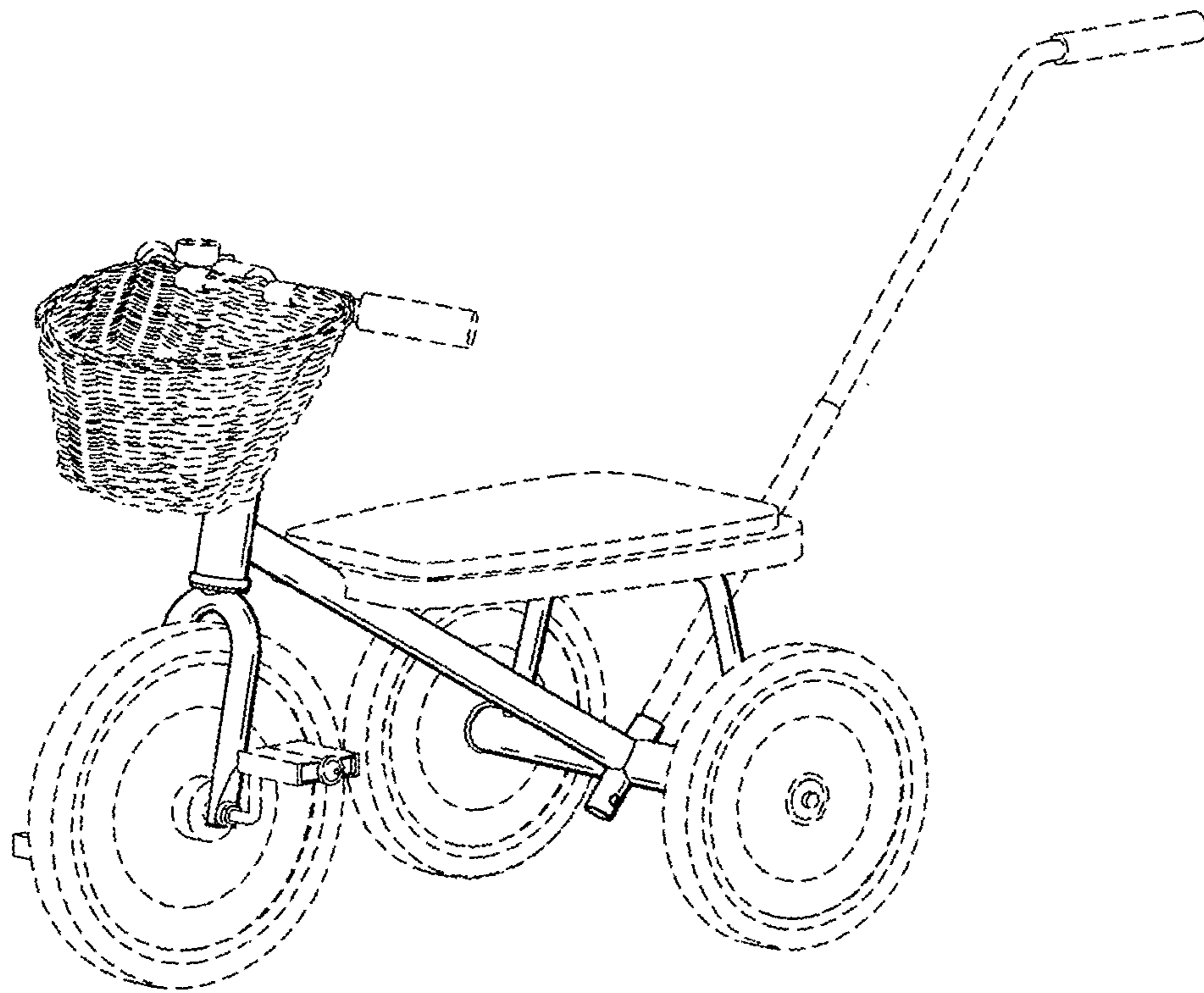


FIG. 8