



US00D904234S

(12) **United States Design Patent**
von Schöning

(10) **Patent No.:** **US D904,234 S**

(45) **Date of Patent:** **** Dec. 8, 2020**

(54) **BICYCLE FRAME**

(71) Applicant: **Porsche Lizenz-und
Handelsgesellschaft mbH & Co. KG,**
Ludwigsburg (DE)

(72) Inventor: **Sina von Schöning,** Stuttgart (DE)

(73) Assignee: **Porsche Lizenz-und
Handelsgesellschaft mbH & Co. KG**

(**) Term: **15 Years**

(21) Appl. No.: **29/663,353**

(22) Filed: **Sep. 14, 2018**

(51) **LOC (12) Cl.** **12-11**

(52) **U.S. Cl.**
USPC **D12/111**

(58) **Field of Classification Search**
USPC D12/111, 110, 107, 114, 117, 118, 119;
D21/419, 424

CPC . B62K 3/00; B62K 3/005; B62K 3/02; B62K
3/04; B62K 11/00; B62K 11/10; B62K
11/02; B62K 11/14; B62K 21/12; B62K
21/04; B62K 15/006; B62K 19/02; B62K
19/04; B62K 19/42; B62K 19/08; B62K
25/04; B62K 25/08; B62K 25/16; B62K
25/30; B62K 21/06; B62K 21/02; B62K
21/26; B62K 21/16

See application file for complete search history.

(56) **References Cited**

U.S. PATENT DOCUMENTS

2,510,013 A * 5/1950 Edgar B62M 1/12
280/234
2,827,301 A * 3/1958 Stevens B62K 13/00
280/7.11
D551,130 S * 9/2007 Pizzi D12/111
D730,779 S * 6/2015 Arbour D12/111

D741,221 S * 10/2015 Haller D12/11
D811,946 S * 3/2018 Williams D12/111
9,981,709 B1 * 5/2018 Logan B62K 21/20
D843,893 S * 3/2019 Reiter D12/111
D865,574 S * 11/2019 Russell D12/111

FOREIGN PATENT DOCUMENTS

DE 102015113829 A1 * 2/2016 B62K 19/42
WO WO-2017091516 A2 * 6/2017 B62L 1/005
WO WO-D066595-005 * 1/2018

(Continued)

OTHER PUBLICATIONS

Youtube, Porsche Bike RX—Test Ride, posted Feb. 20, 2014,
[online], [visited Oct. 16, 2020]. Internet, <URL: <https://www.youtube.com/watch?v=s7FILULehTA>> (Year: 2014).*

(Continued)

Primary Examiner — Sheryl Lane

Assistant Examiner — Samantha N Wood

(74) *Attorney, Agent, or Firm* — RatnerPrestia

(57) **CLAIM**

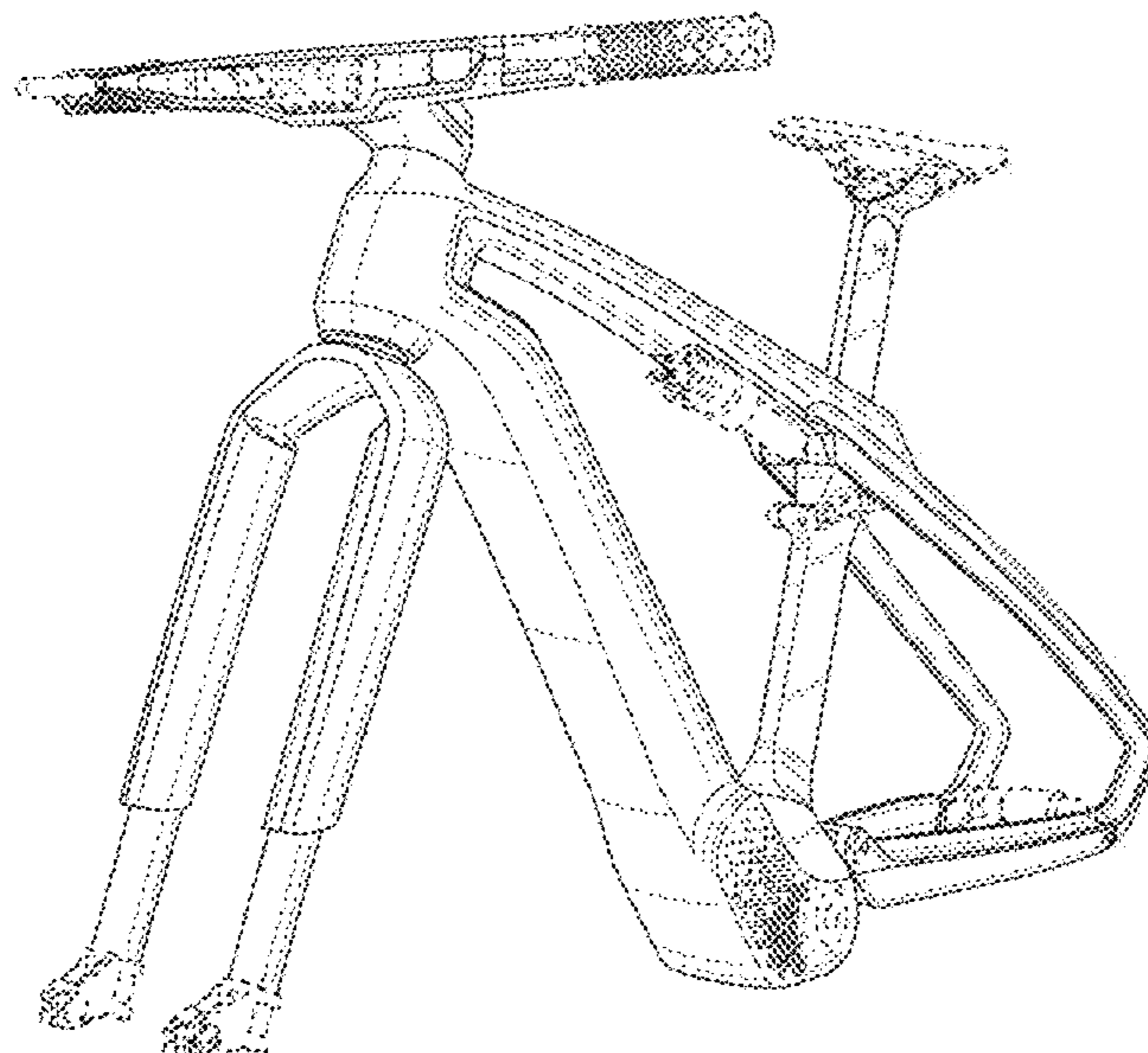
The ornamental design for a bicycle frame, as shown and described.

DESCRIPTION

FIG. 1 is a front perspective view of a bicycle frame;
FIG. 2 is a rear perspective view thereof;
FIG. 3 is a front elevation view thereof;
FIG. 4 is a rear elevation view thereof;
FIG. 5 is an elevation view thereof, from the left side;
FIG. 6 is an elevation view thereof, from the right side; and,
FIG. 7 is a top plan view thereof.

The broken line showing of the bicycle frame is for the purpose of illustrating portions of the bicycle frame and forms no part of the claimed design.

1 Claim, 7 Drawing Sheets



(56)

References Cited

FOREIGN PATENT DOCUMENTS

WO WO-D200789-001 * 10/2018

OTHER PUBLICATIONS

Flatsixes, Porsche teases new generation of electric-assist bicycle, posted Mar. 7, 2018, [online], [visited Oct. 16, 2020]. Internet, <URL: <https://flatsixes.com/cars/electric-porsche/porsche-teases-new-generation-electric-assist-bicycle/>> (Year: 2018).*

Amazon, GTWO Electric Bicycle, posted Nov. 20, 2017, [online], [visited Oct. 16, 2020]. Internet, <URL: <https://www.amazon.co.uk/GTWO-Electric-Bicycle-Mountain-Removable/dp/B087B4GDLC/ref>> (Year: 2017).*

Youtube, Specialized Turbo VAdo 3.0—Speed Pedelec Electric Bike Review, posted Aug. 28, 2018, [online], [visited Oct. 16, 2020]. Internet, <URL: <https://www.youtube.com/watch?v=AMJRVQKMXDg>> (Year: 2018).*

* cited by examiner

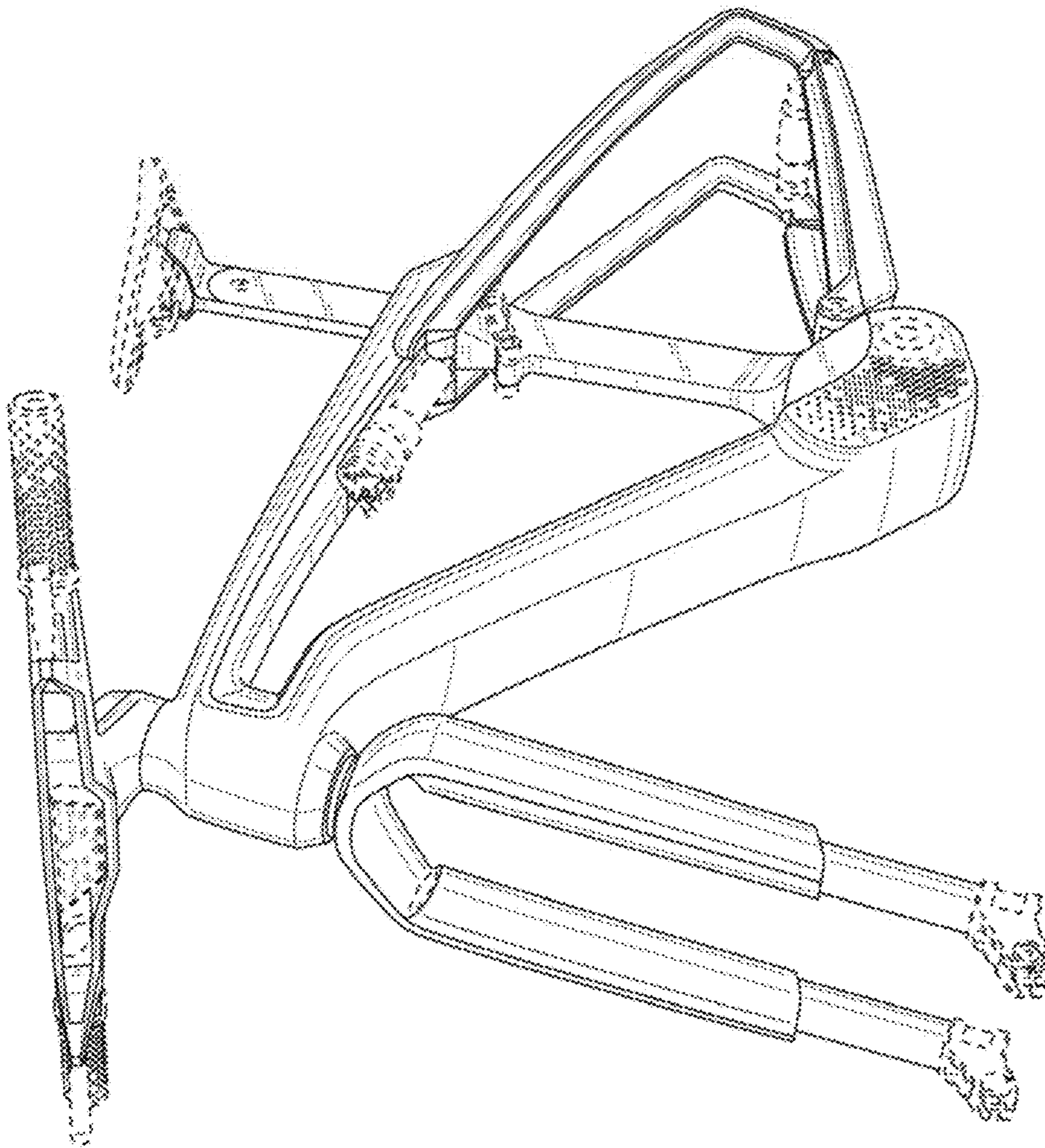


FIG. 1

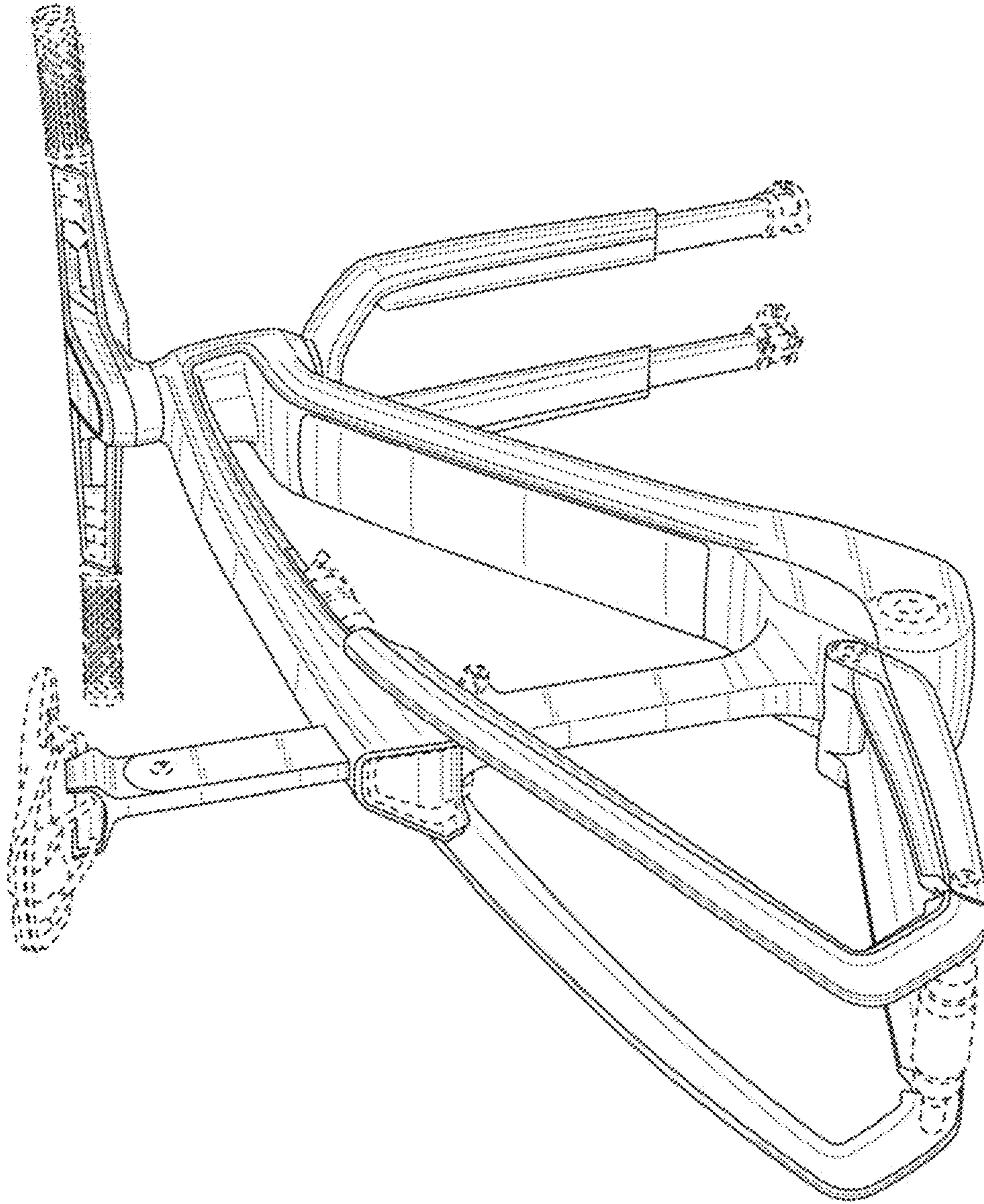


FIG. 2

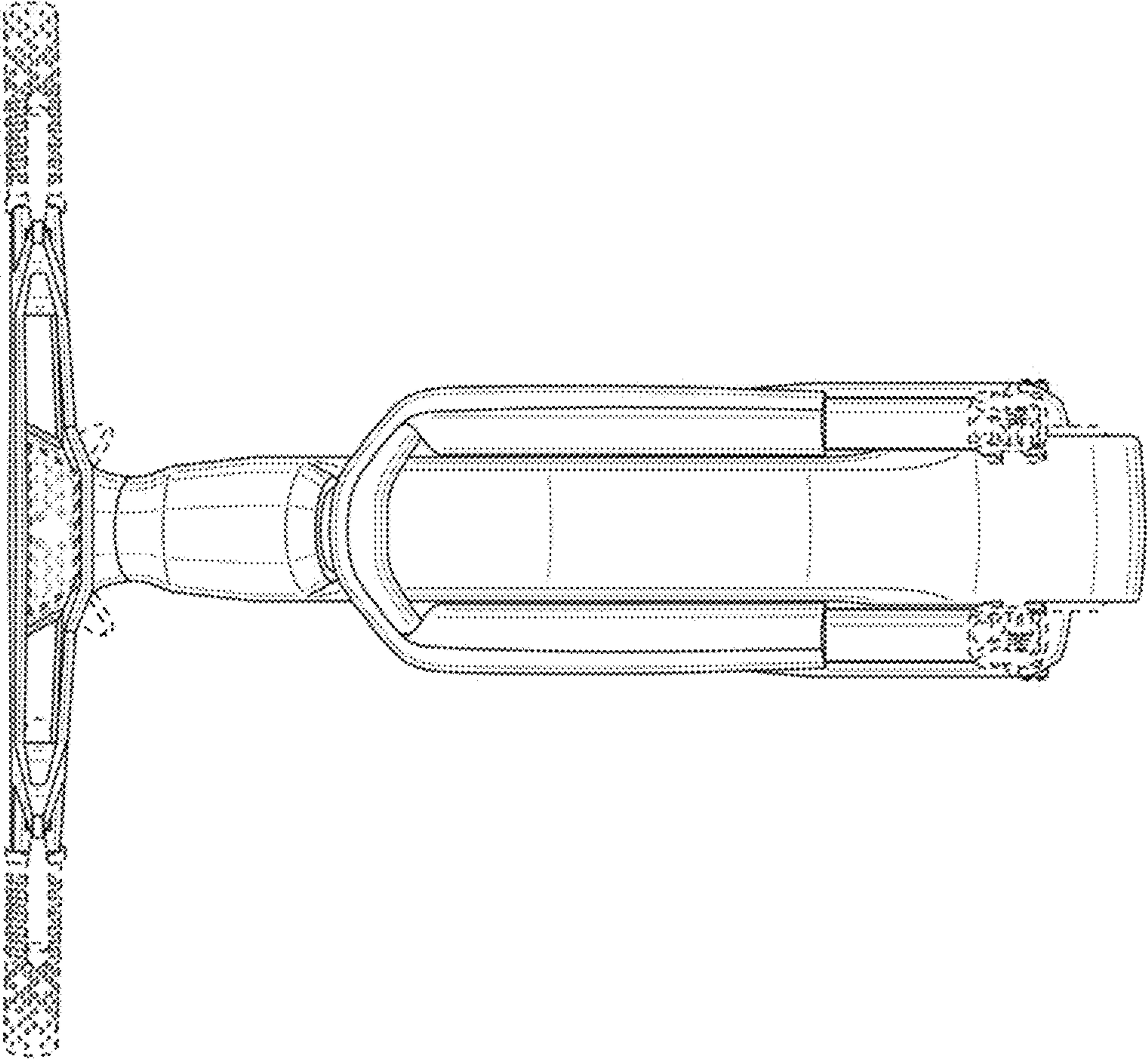


FIG. 3

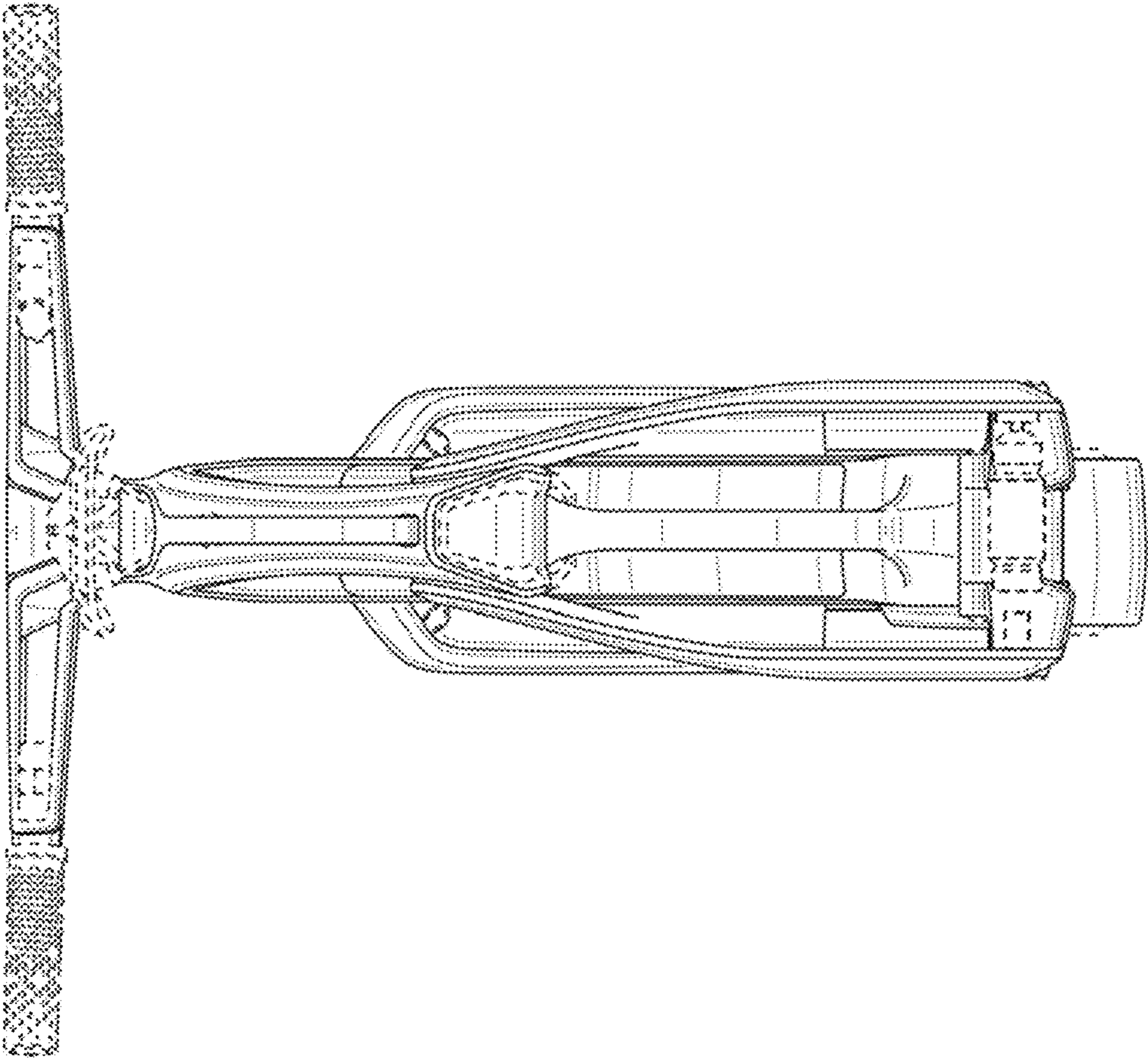


FIG. 4

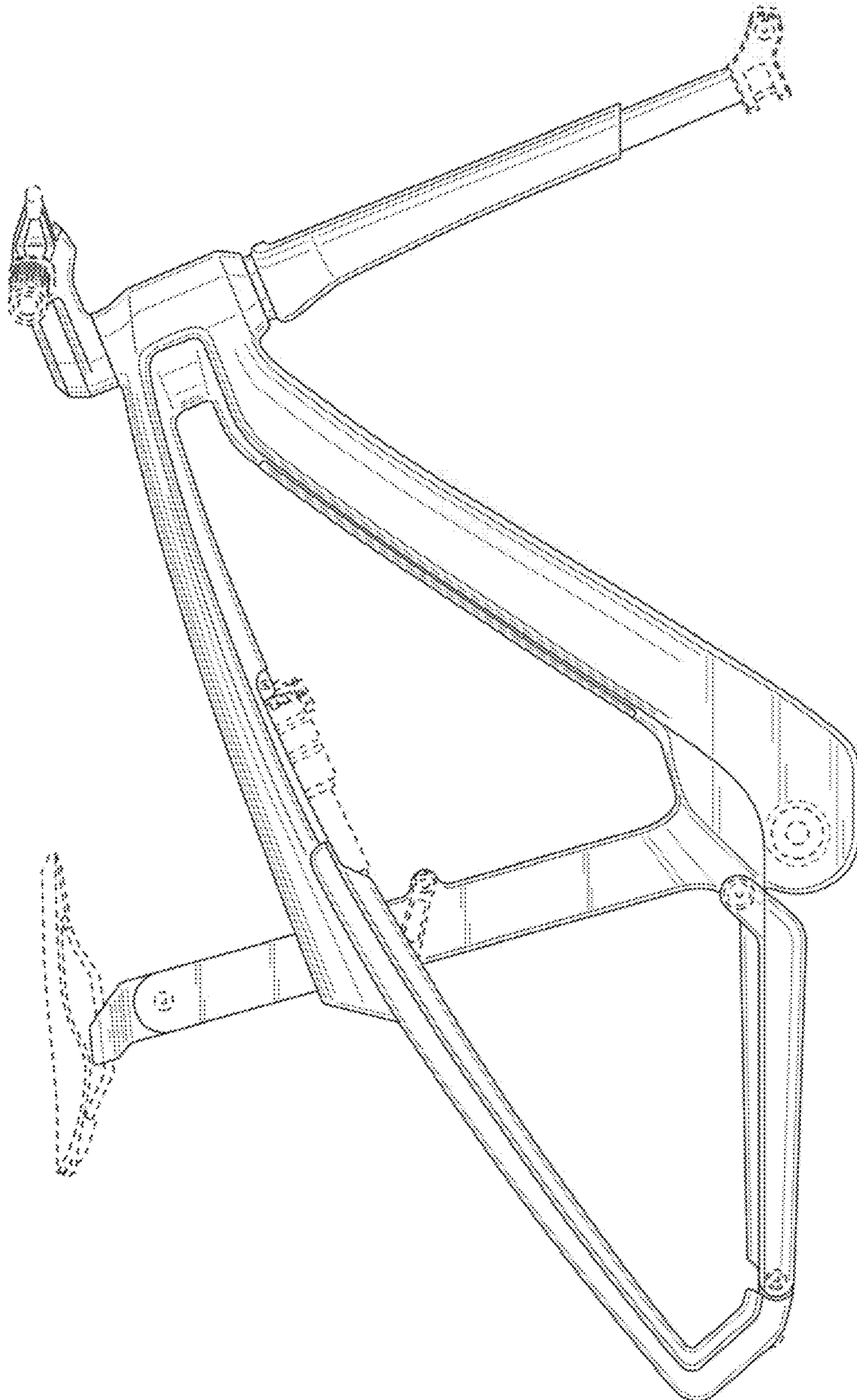


FIG. 5

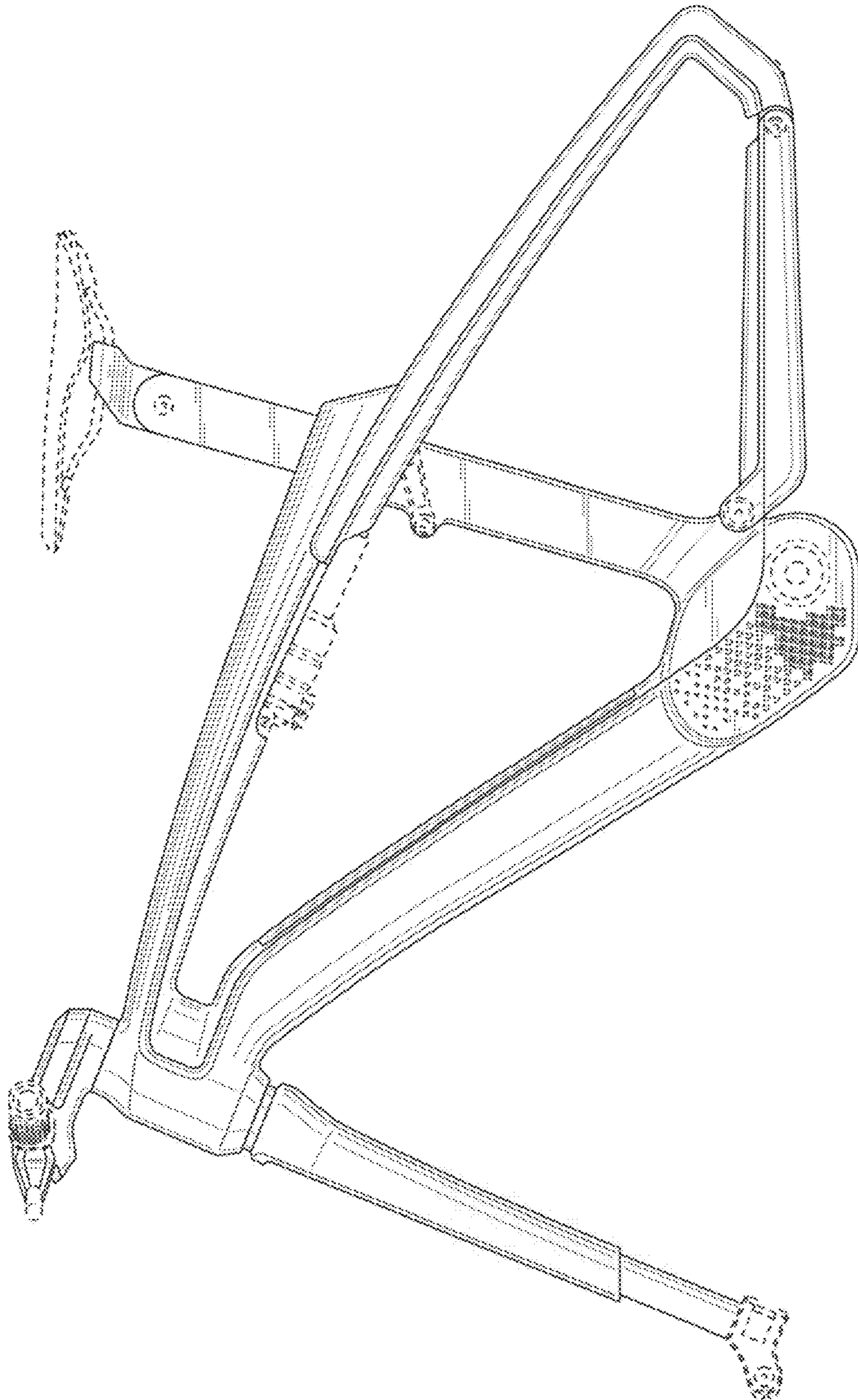


FIG. 6

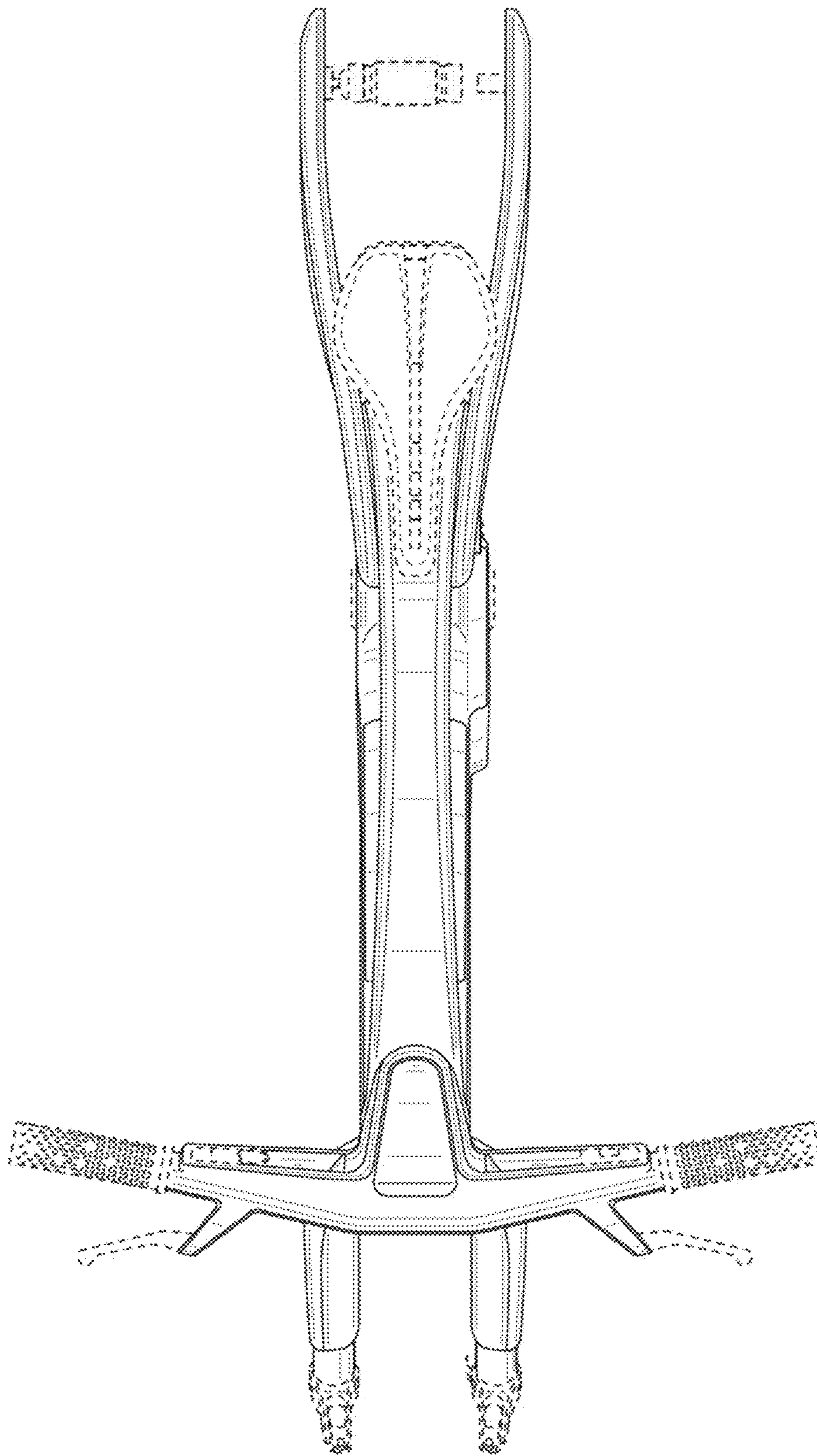


FIG. 7