



US00D904233S

(12) **United States Design Patent**
Konkel et al.

(10) **Patent No.:** **US D904,233 S**

(45) **Date of Patent:** **** Dec. 8, 2020**

(54) **MOTORCYCLE**

(71) Applicant: **Harley-Davidson Motor Company Group, LLC, Milwaukee, WI (US)**

(72) Inventors: **Eric John Konkel, Hartland, WI (US); Jared P. Thede, Cedarburg, WI (US); Ben McGinley, Glendale, WI (US); Casey Ketterhagen, Hartland, WI (US); Nathan Abplanalp, Milwaukee, WI (US); Samuel Nicholas Reitingier, Wauwatosa, WI (US)**

(73) Assignee: **Harley-Davidson Motor Company Group, LLC, Milwaukee, WI (US)**

(**) Term: **15 Years**

(21) Appl. No.: **29/658,314**

(22) Filed: **Jul. 30, 2018**

(51) **LOC (12) Cl.** **12-11**

(52) **U.S. Cl.**
USPC **D12/110**

(58) **Field of Classification Search**
USPC D12/114, 110, 111, 107, 117, 126, 186;
D21/432, 538
CPC B62K 11/02; B62K 11/04; B62K 11/10;
B62K 17/00; B62K 19/00; B62J 11/00
See application file for complete search history.

(56) **References Cited**

U.S. PATENT DOCUMENTS

D340,513 S	*	10/1993	Stahel, II	D12/114
D354,460 S	*	1/1995	Davidson	D12/126
D368,682 S	*	4/1996	Matthies	D12/126
D388,025 S	*	12/1997	Sauer	D12/111
D517,957 S	*	3/2006	Savage	D12/110
D535,217 S	*	1/2007	Yin	D12/110
D538,714 S	*	3/2007	Okuyama	D12/110

D550,591 S	*	9/2007	Mugikura	D12/110
D554,026 S	*	10/2007	Francis	D12/126
D582,319 S	*	12/2008	Miwa	D12/110
D584,193 S	*	1/2009	Massicotte	D12/126
D653,590 S	*	2/2012	Patterson	D12/110
D662,862 S	*	7/2012	Schutz	D12/114
D676,361 S	*	2/2013	Louden	D12/126
D683,666 S	*	6/2013	Hemingway	D12/126
D694,672 S	*	12/2013	Starck	D12/110
D698,702 S	*	2/2014	Kubanek	D12/110
D734,215 S	*	7/2015	Forrellad	D12/110
D753,552 S	*	4/2016	McGinley	D12/110
D774,989 S	*	12/2016	Hynek	D12/126
D776,013 S	*	1/2017	Kiska	D12/110
D776,575 S	*	1/2017	Kiska	D12/110
D800,784 S	*	10/2017	Collins	D15/5
D803,103 S	*	11/2017	Clyde	D12/110
D815,990 S	*	4/2018	Jane Santamaria	D12/110
D820,732 S	*	6/2018	Francis	D12/110
D824,290 S	*	7/2018	Sukkar	D12/110
D832,747 S	*	11/2018	Chung	D12/114

(Continued)

Primary Examiner — Michelle E. Wilson

Assistant Examiner — Clese Moore, Jr.

(74) *Attorney, Agent, or Firm* — Michael Best & Friedrich LLP

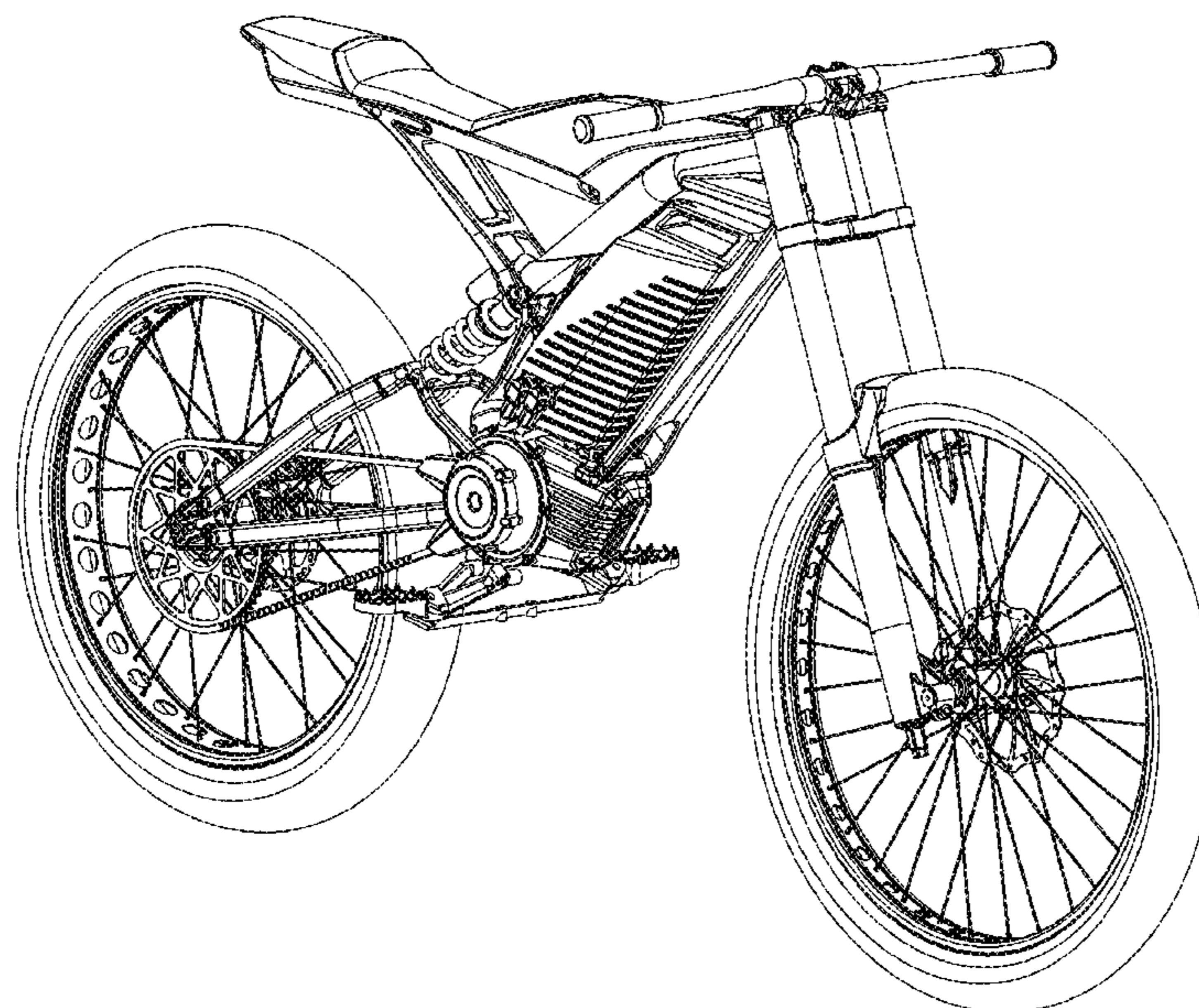
(57) **CLAIM**

We claim the ornamental design for a motorcycle, as shown and described.

DESCRIPTION

FIG. 1 is a first perspective view of a motorcycle;
FIG. 2 is a second perspective view thereof;
FIG. 3 is a front view thereof;
FIG. 4 is a rear view thereof;
FIG. 5 is a right side view thereof;
FIG. 6 is a left side view thereof;
FIG. 7 is a top view thereof; and,
FIG. 8 is a bottom view thereof.

1 Claim, 8 Drawing Sheets



(56)

References Cited

U.S. PATENT DOCUMENTS

D850,984 S * 6/2019 Bates D12/114
2011/0177371 A1* 7/2011 Belton B60L 58/14
429/98

* cited by examiner

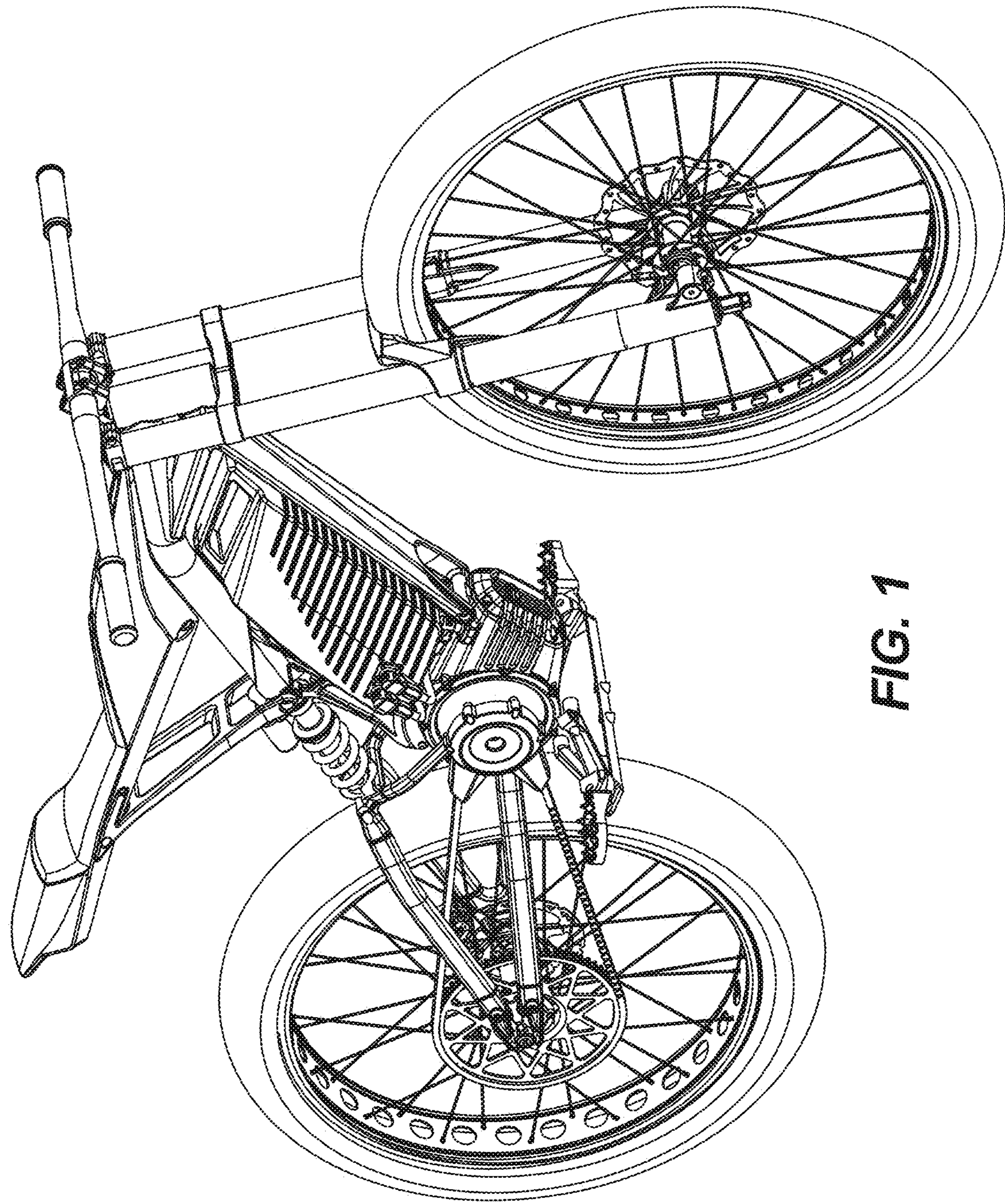


FIG. 1

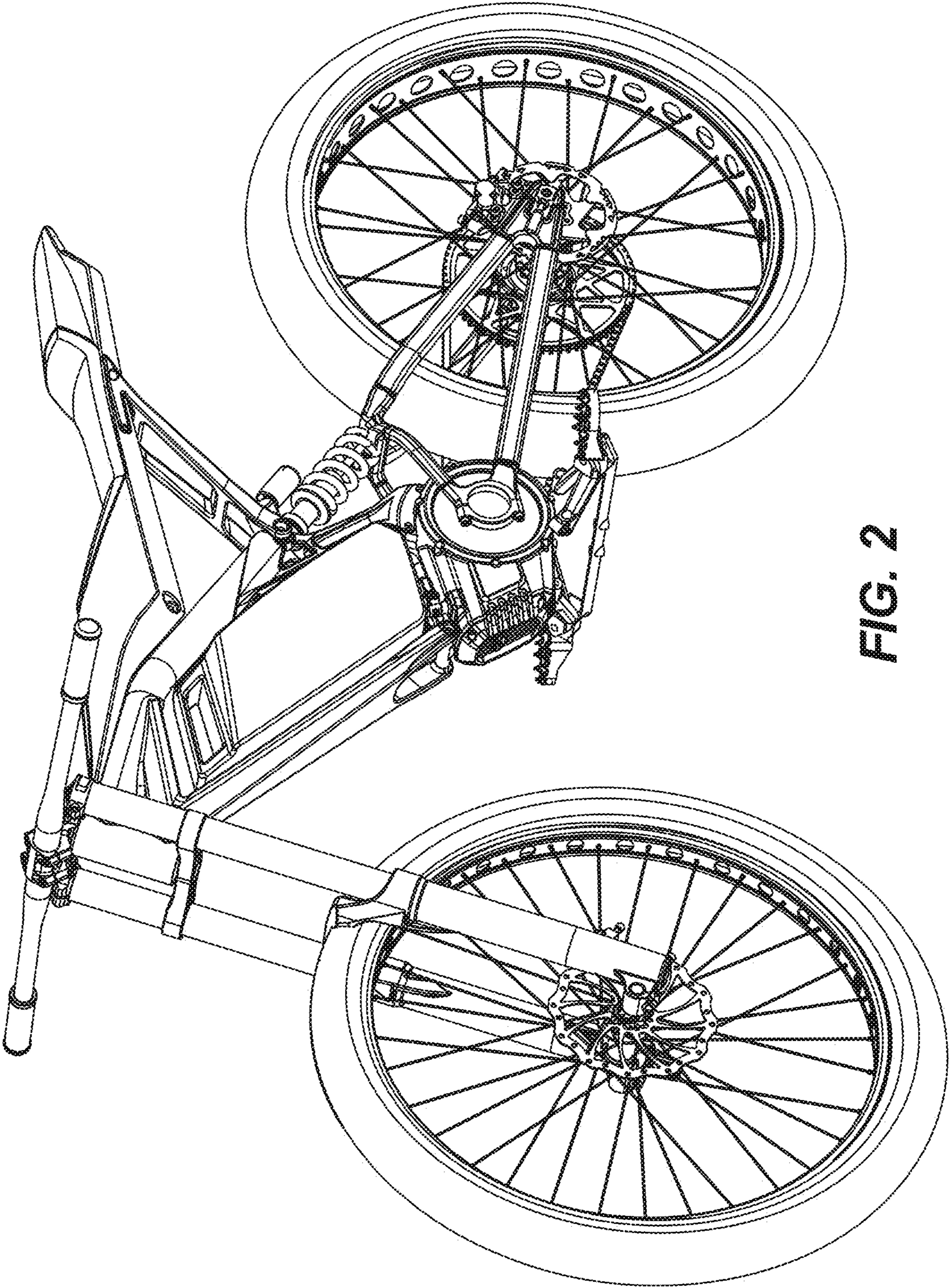


FIG. 2

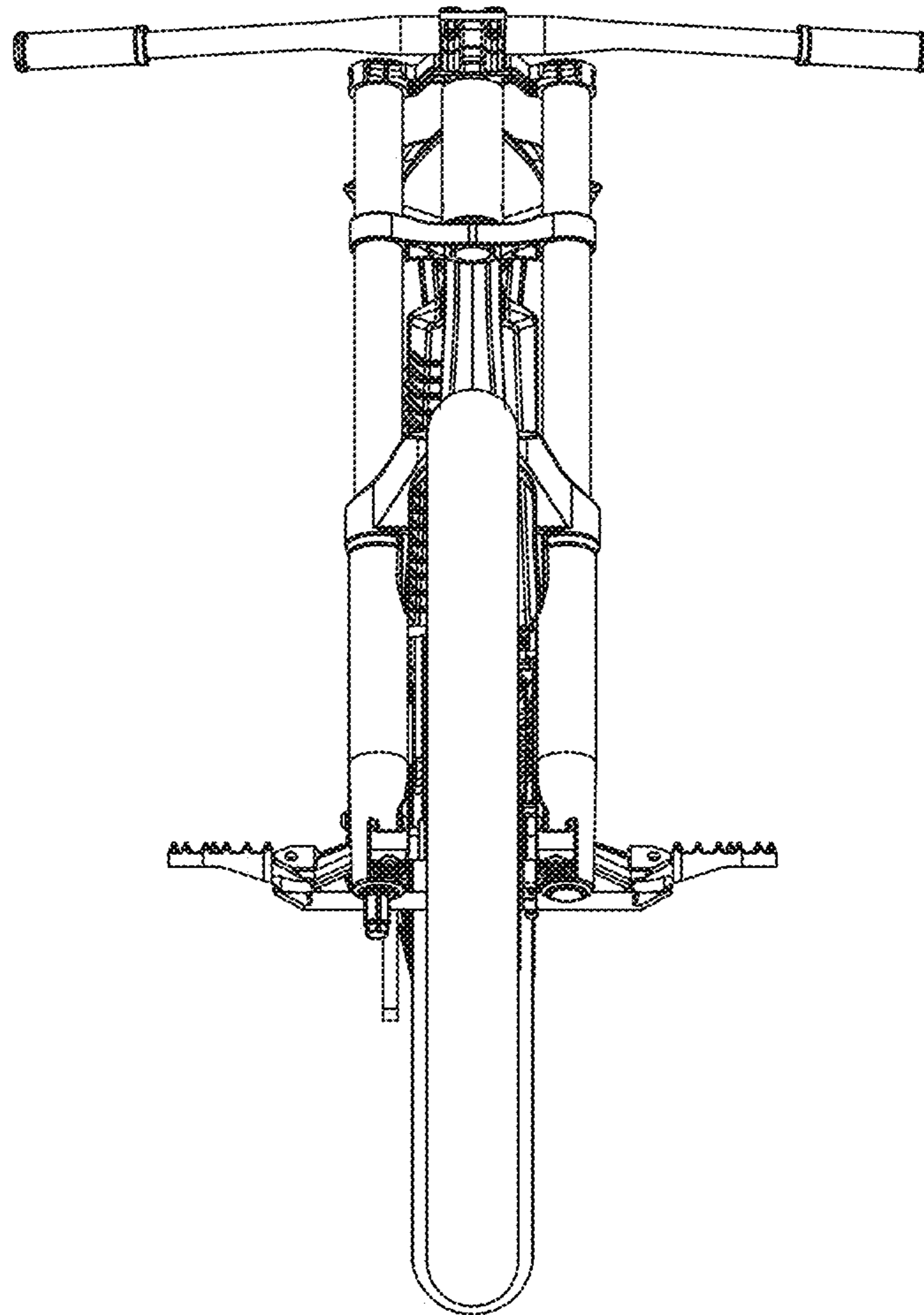


FIG. 3

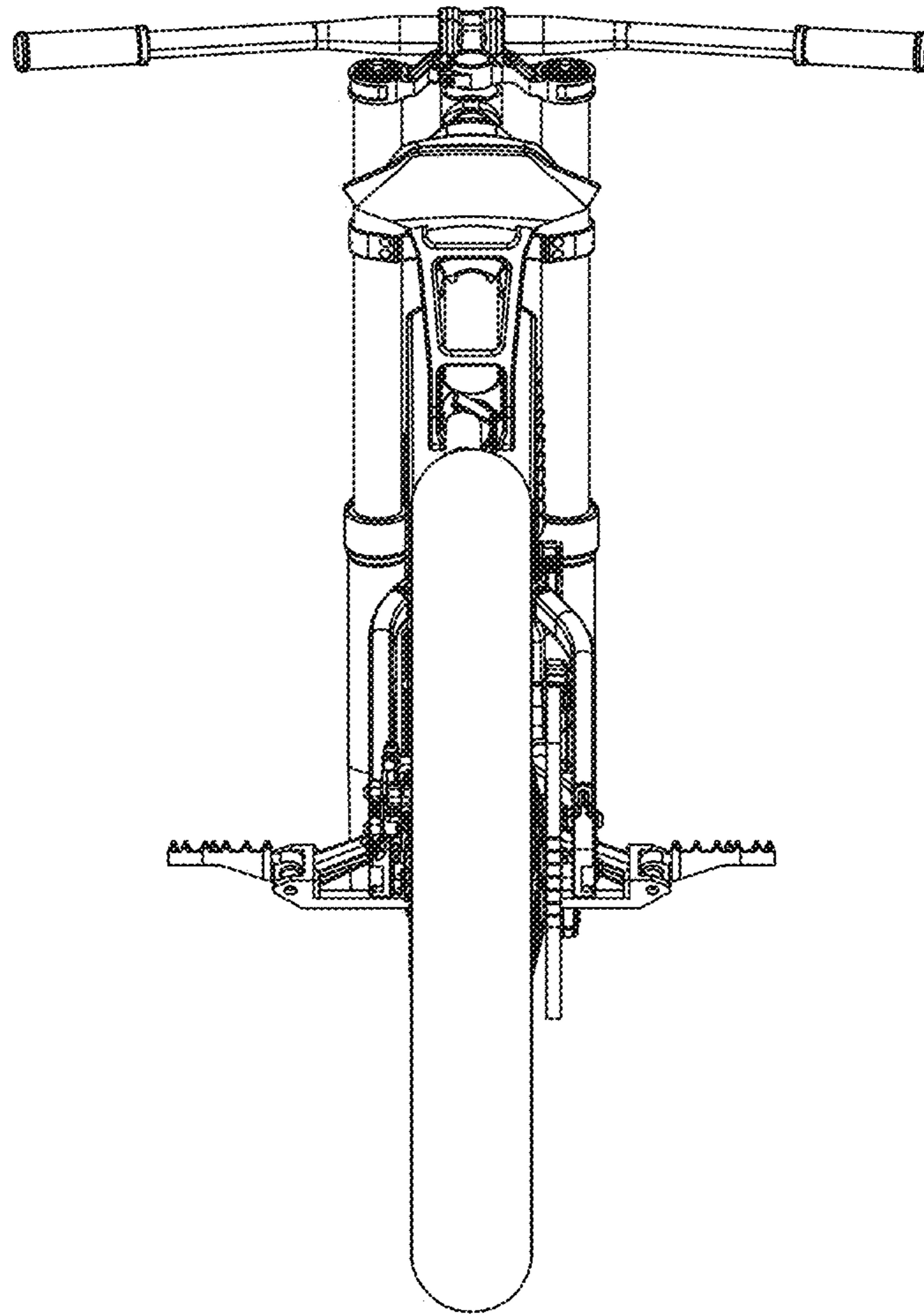


FIG. 4

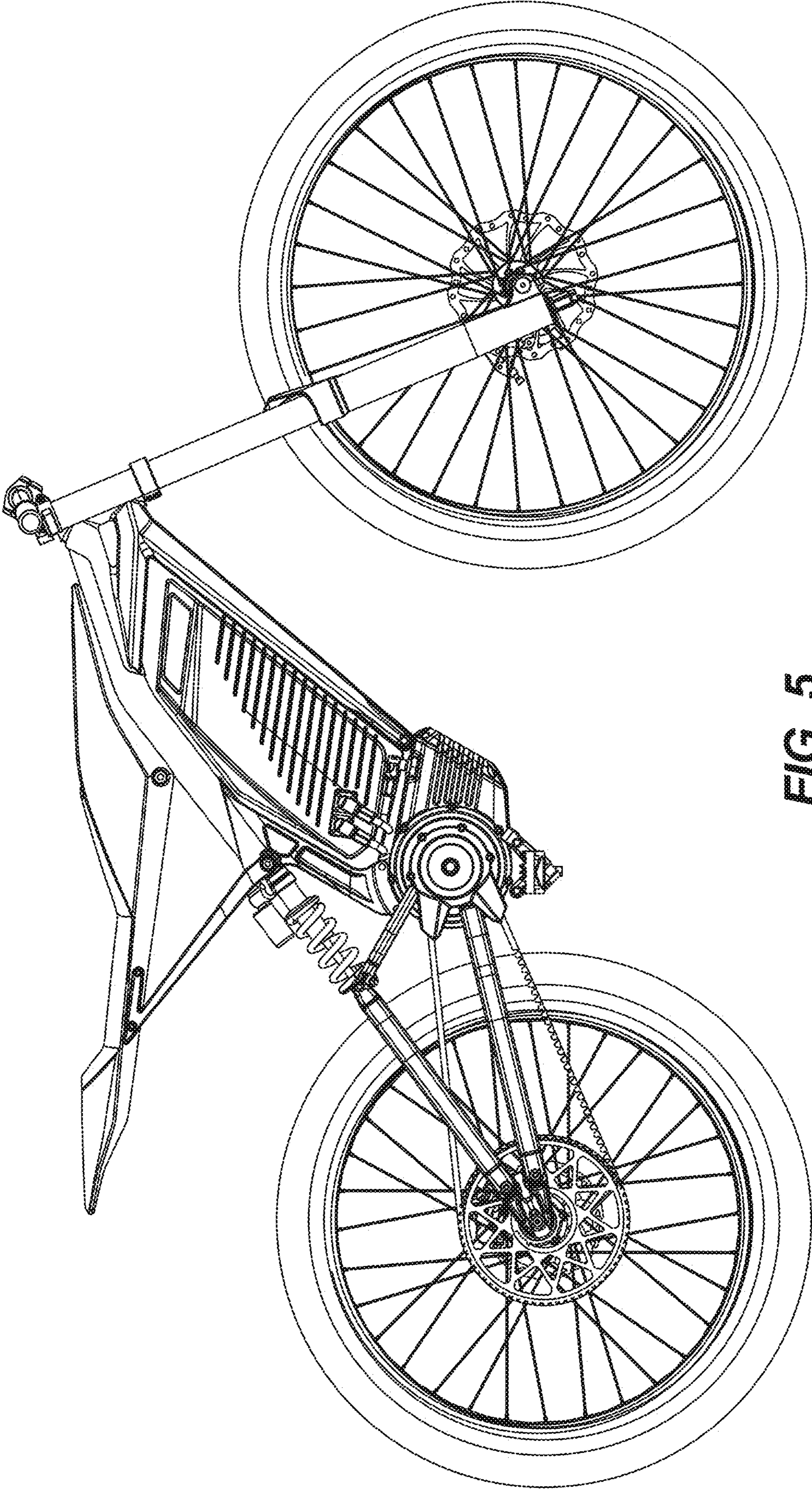


FIG. 5

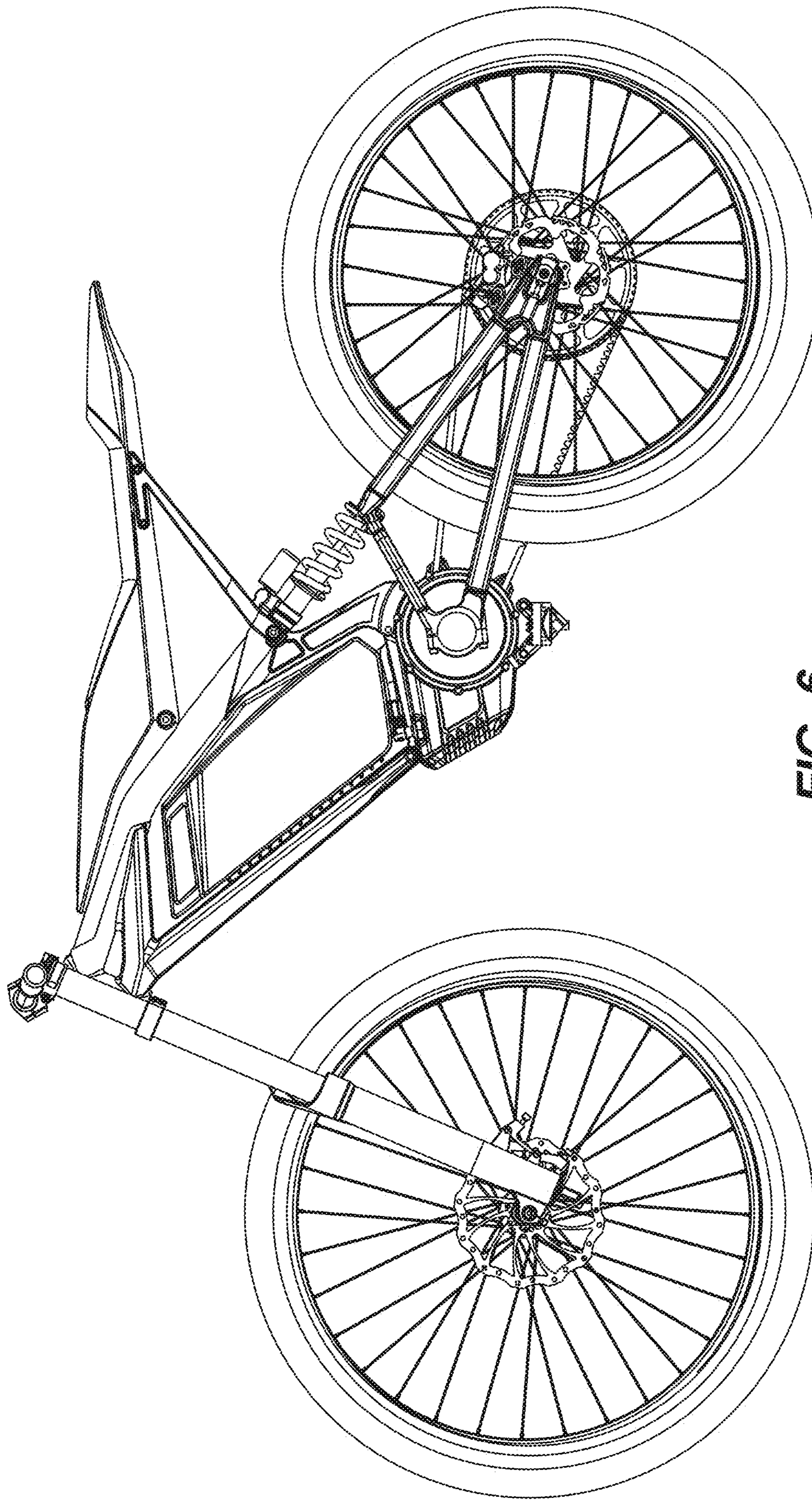


FIG. 6

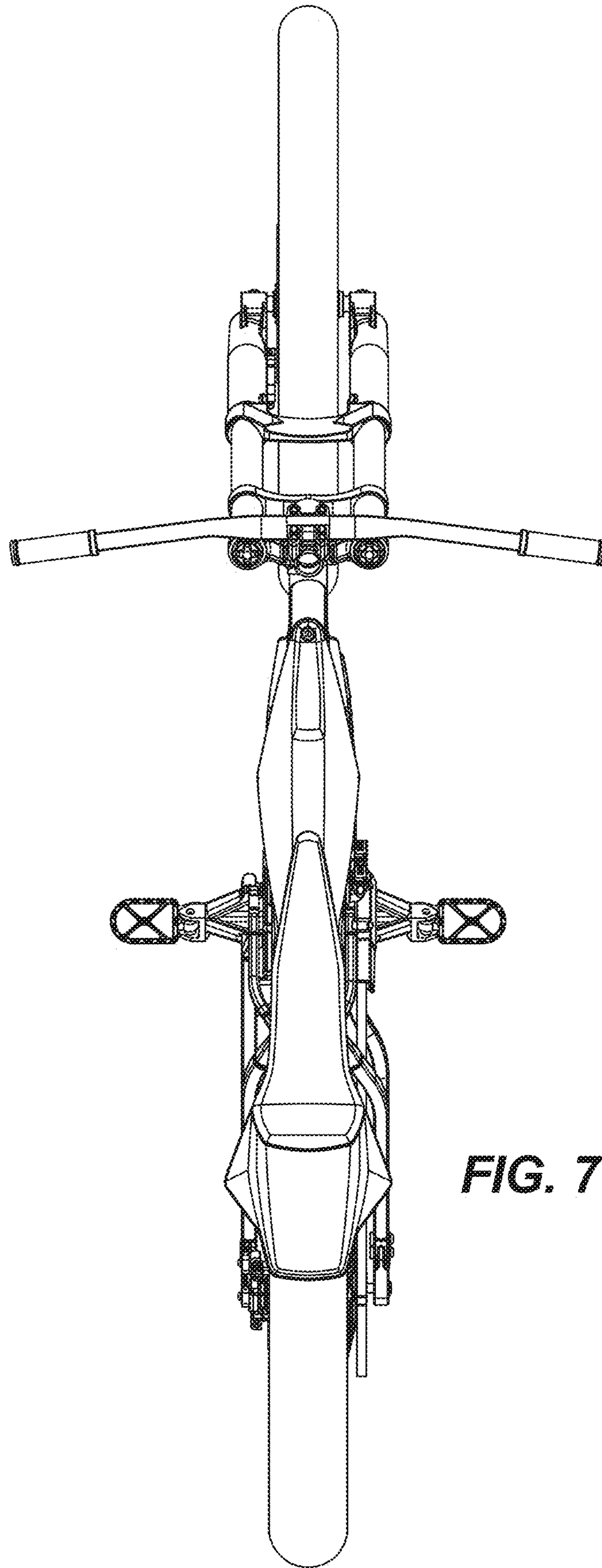


FIG. 7

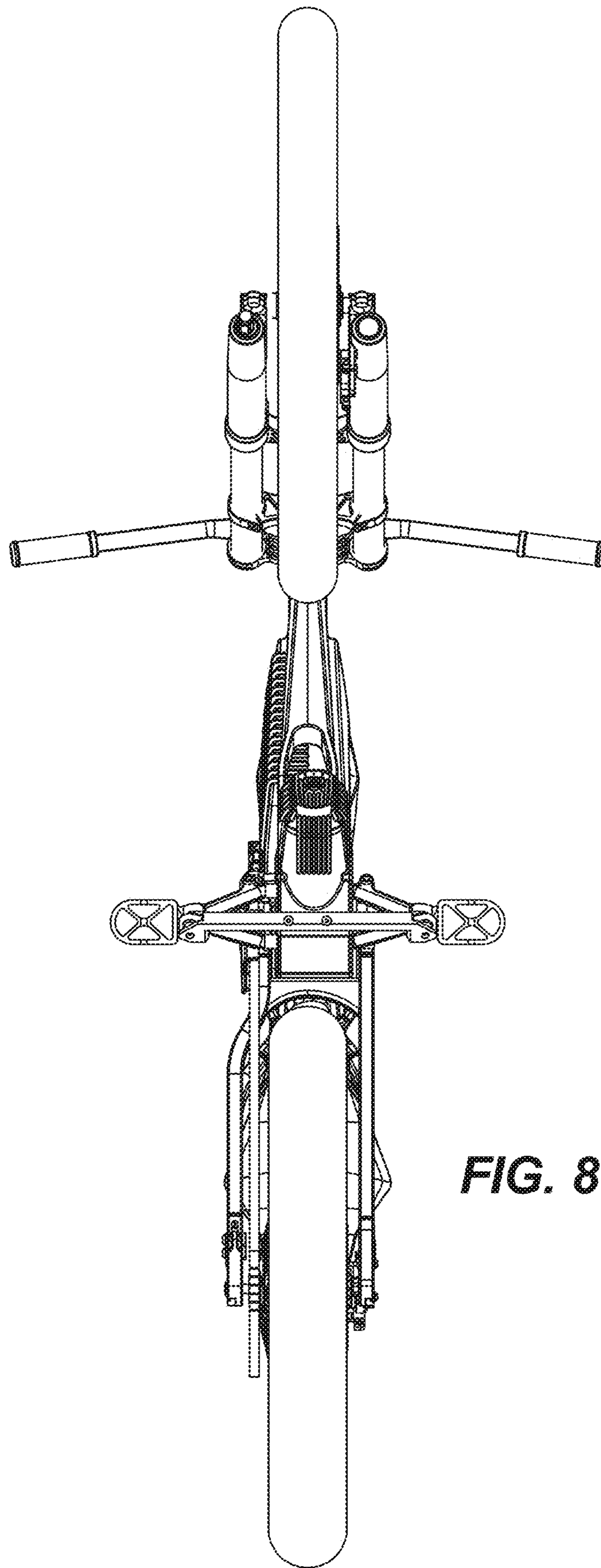


FIG. 8