

US00D904231S

(12) **United States Design Patent**
Lee

(10) **Patent No.: US D904,231 S**

(45) **Date of Patent: ** Dec. 8, 2020**

(54) **PICKUP TRUCK BODY**

D526,247 S * 8/2006 White D12/98
D742,790 S * 11/2015 Noguchi D12/98

(71) Applicant: **Edward Lee**, Costa Mesa, CA (US)

* cited by examiner

(72) Inventor: **Edward Lee**, Costa Mesa, CA (US)

Primary Examiner — Melody N Brown

(**) Term: **15 Years**

(74) *Attorney, Agent, or Firm* — Elizabeth Yang

(21) Appl. No.: **29/692,461**

(57) **CLAIM**

(22) Filed: **May 24, 2019**

The ornamental design for a pickup truck body, as shown and described.

(51) **LOC (12) Cl. 12-08**

(52) **U.S. Cl.**
USPC **D12/98**

DESCRIPTION

(58) **Field of Classification Search**
USPC D12/86, 90-92, 164, 98; D21/424, 433,
D21/434, 533; 296/181.1, 181.5, 181.3,
296/183.1, 37.6
CPC B60R 9/06; B62D 35/00
See application file for complete search history.

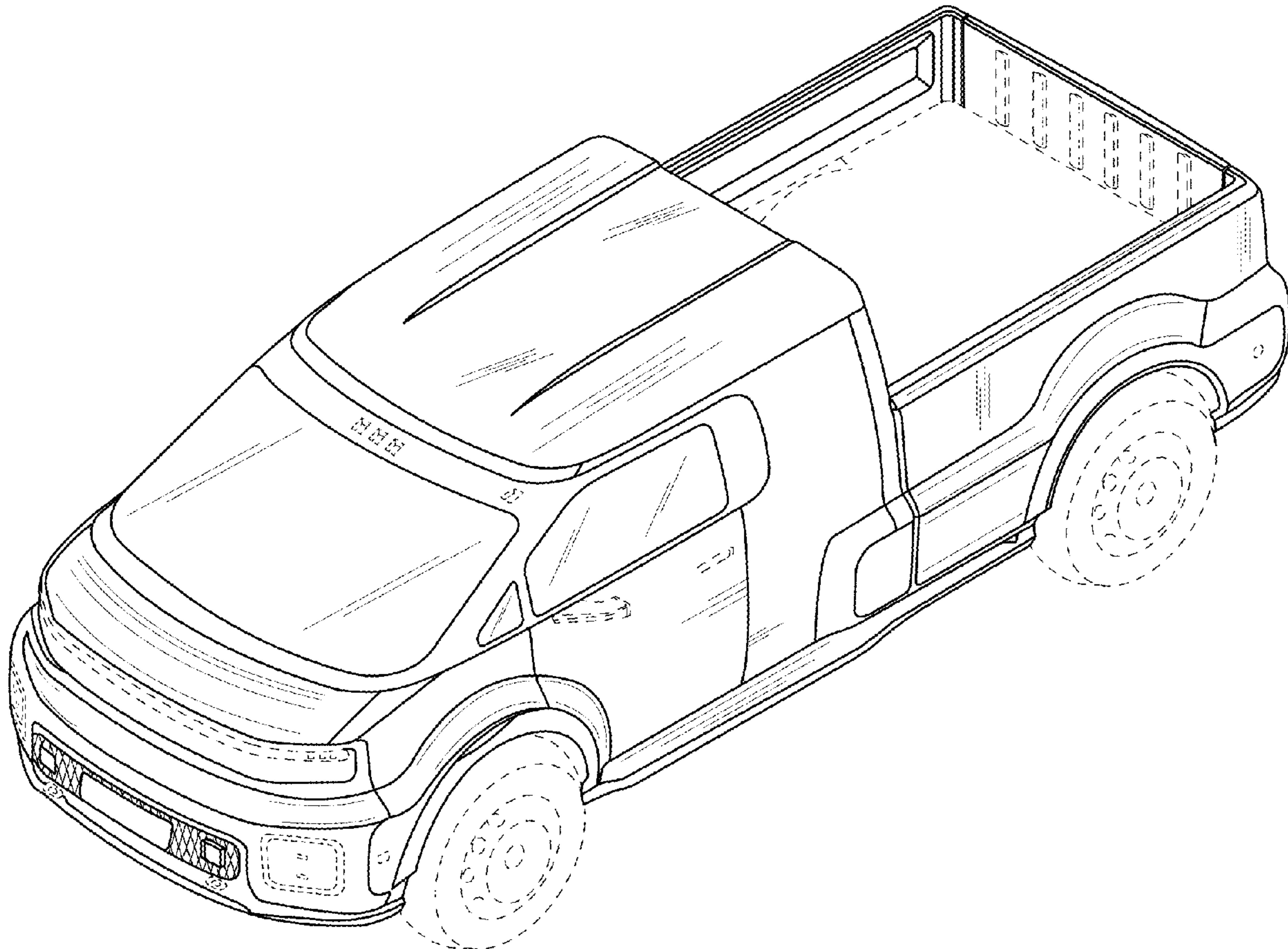
FIG. 1 is a perspective view of a pickup truck body showing my new design;
FIG. 2 is a front elevational view thereof;
FIG. 3 is a left side elevational view thereof;
FIG. 4 is a right side elevational view thereof;
FIG. 5 is a rear and left side perspective view thereof;
FIG. 6 is a top plan view thereof; and,
FIG. 7 is a bottom plan view thereof.
The broken lines shown throughout the drawing are for environmental and illustrative purposes and form no part of the claimed design.

(56) **References Cited**

U.S. PATENT DOCUMENTS

D379,439 S * 5/1997 Bradley D12/98
D456,311 S * 4/2002 Yamamoto D12/86

1 Claim, 6 Drawing Sheets



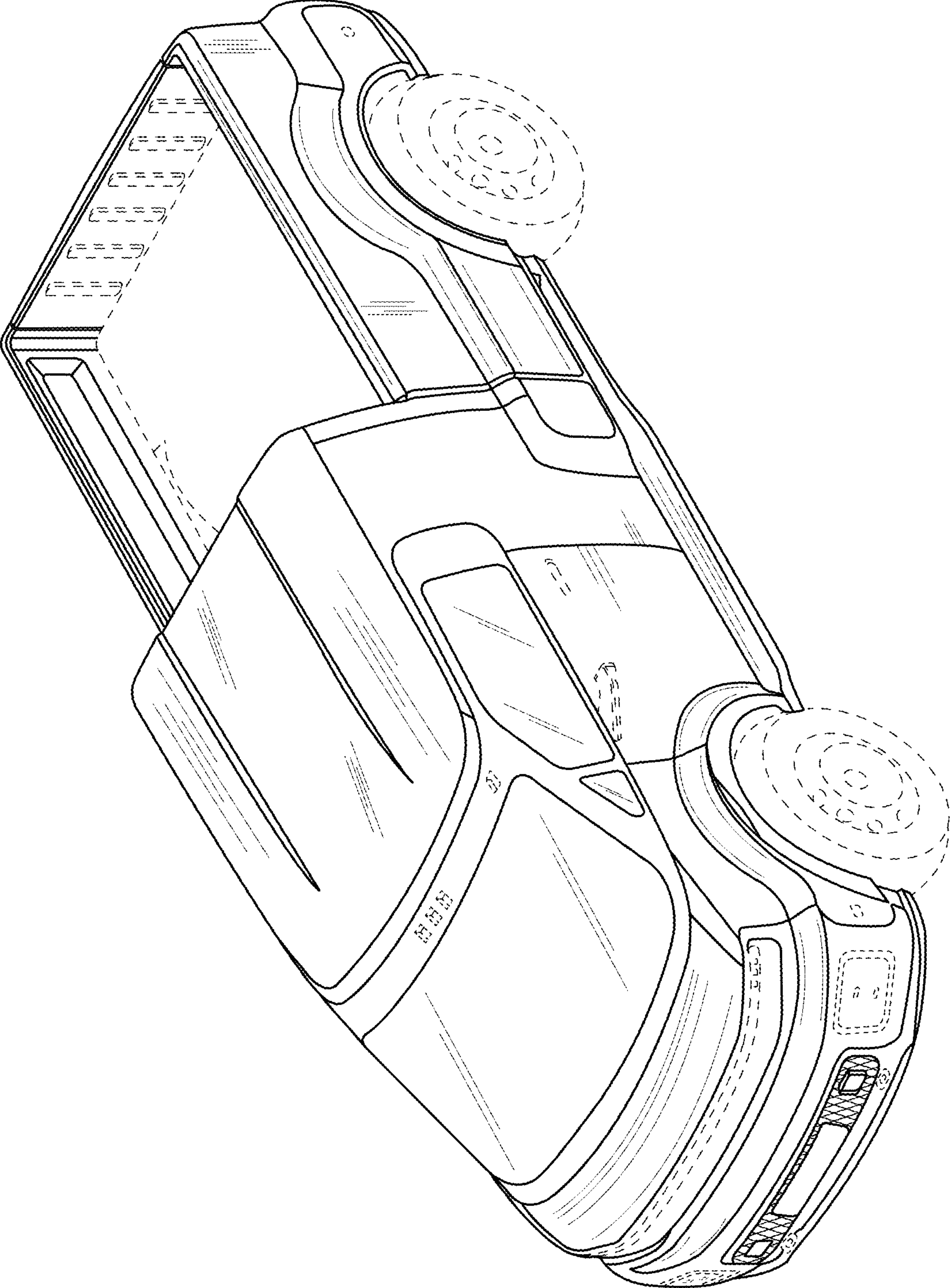


FIG. 1

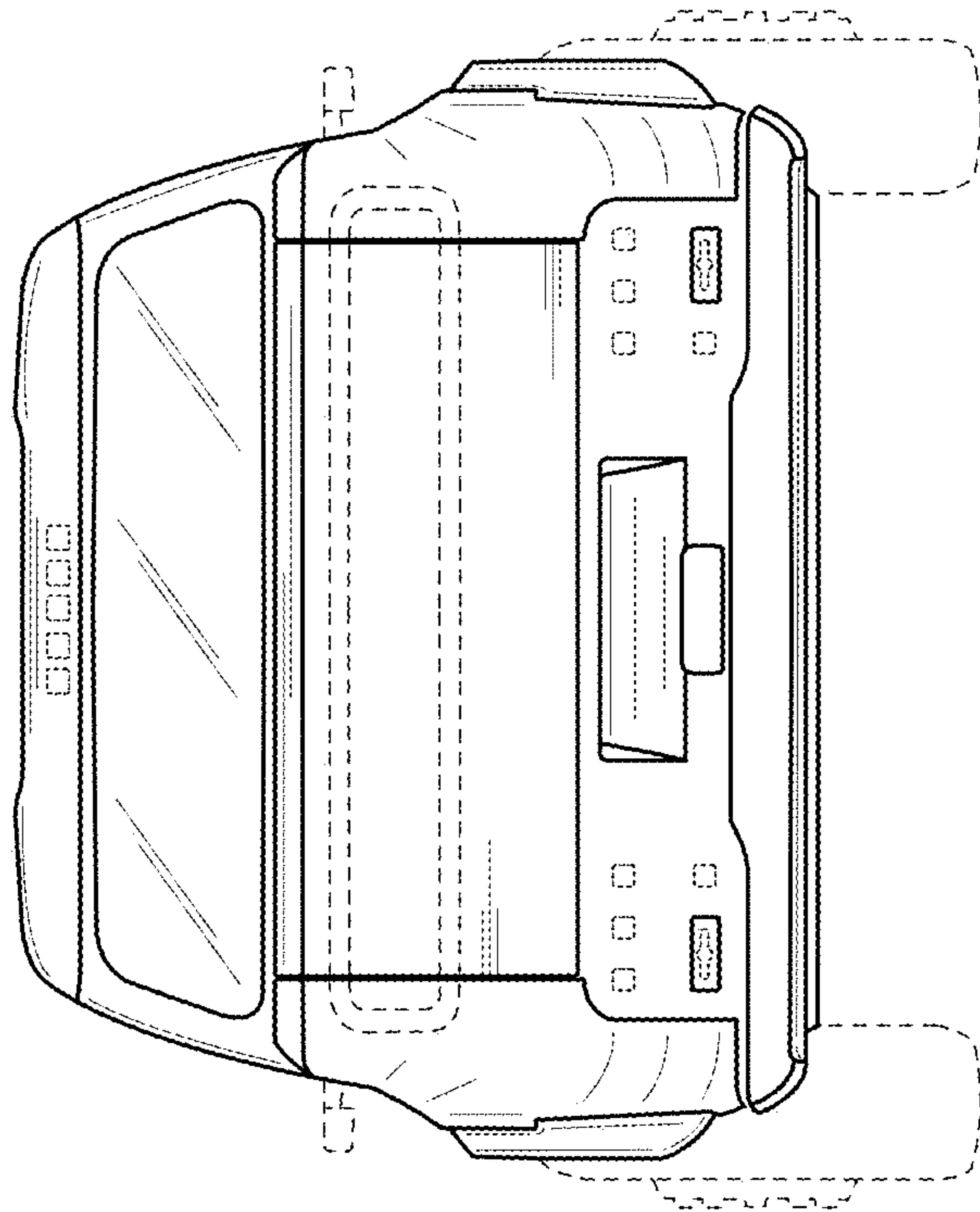


FIG. 2

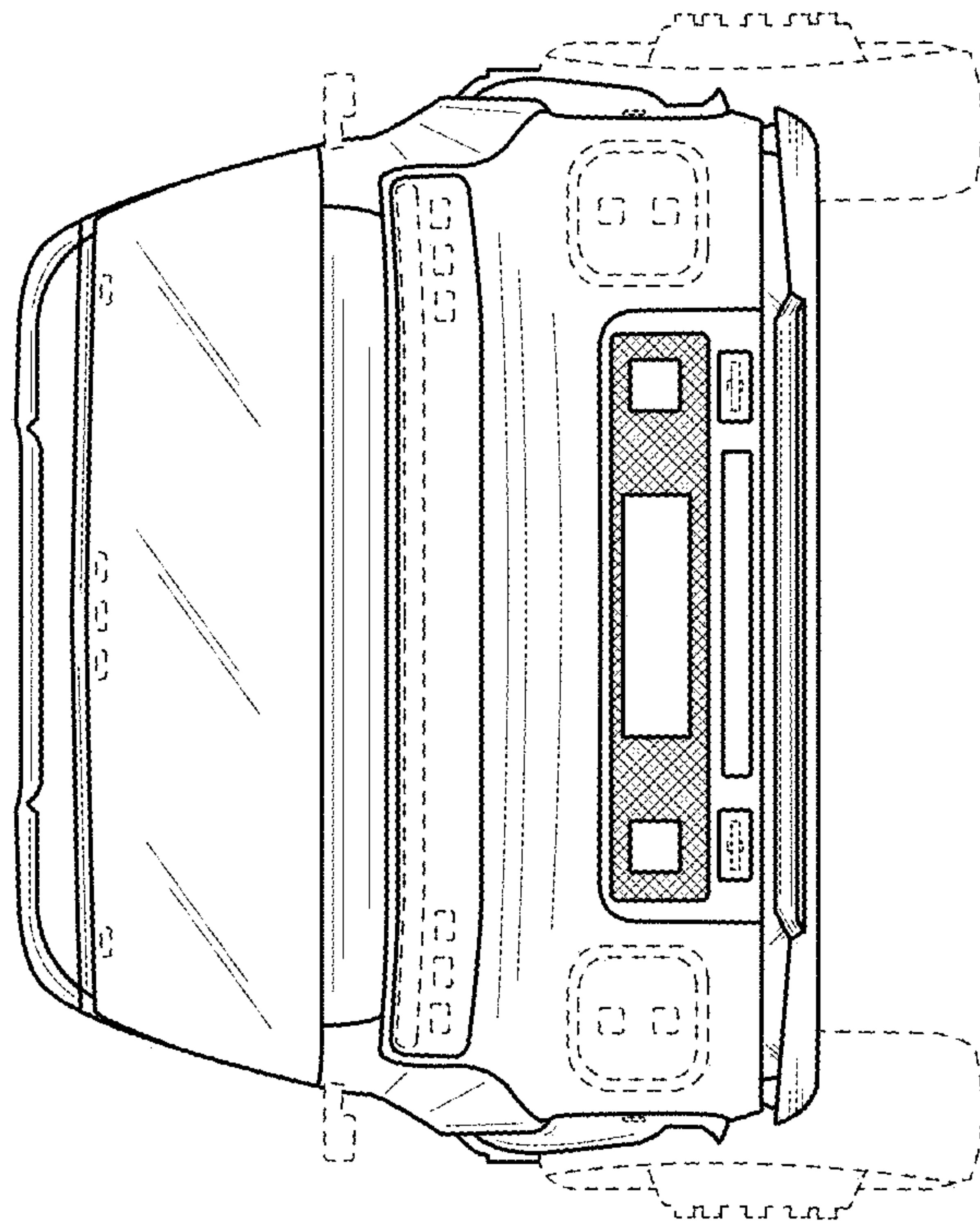


FIG. 3

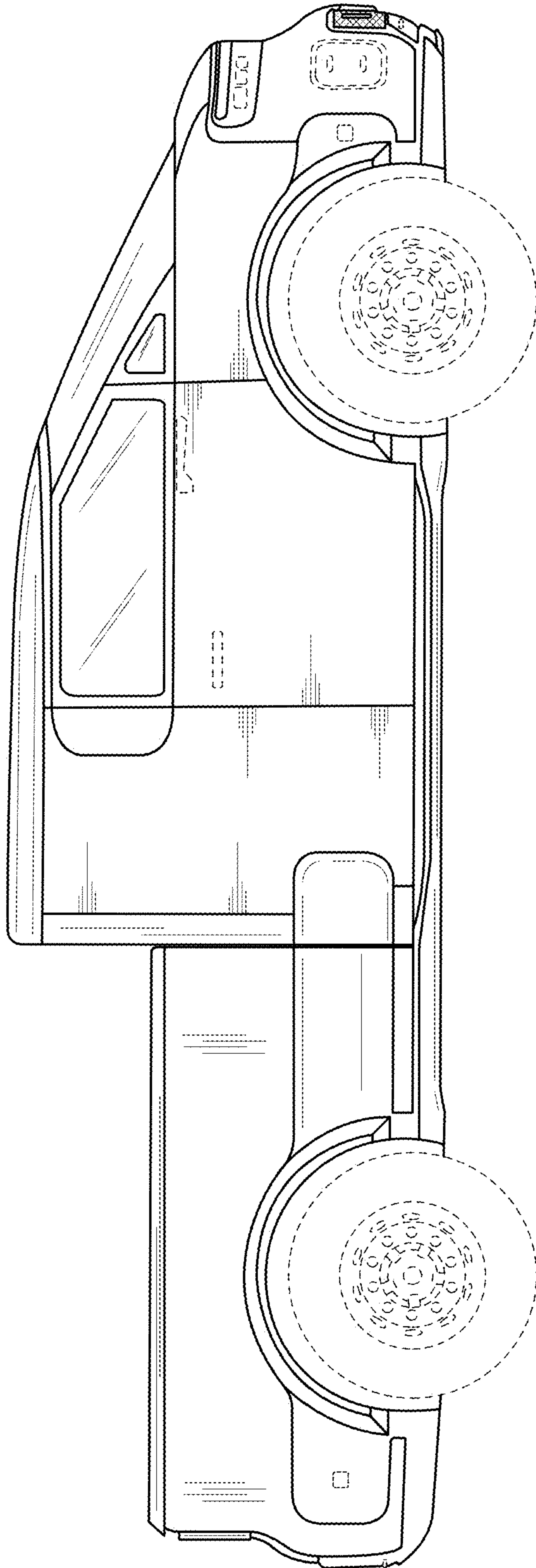


FIG. 4

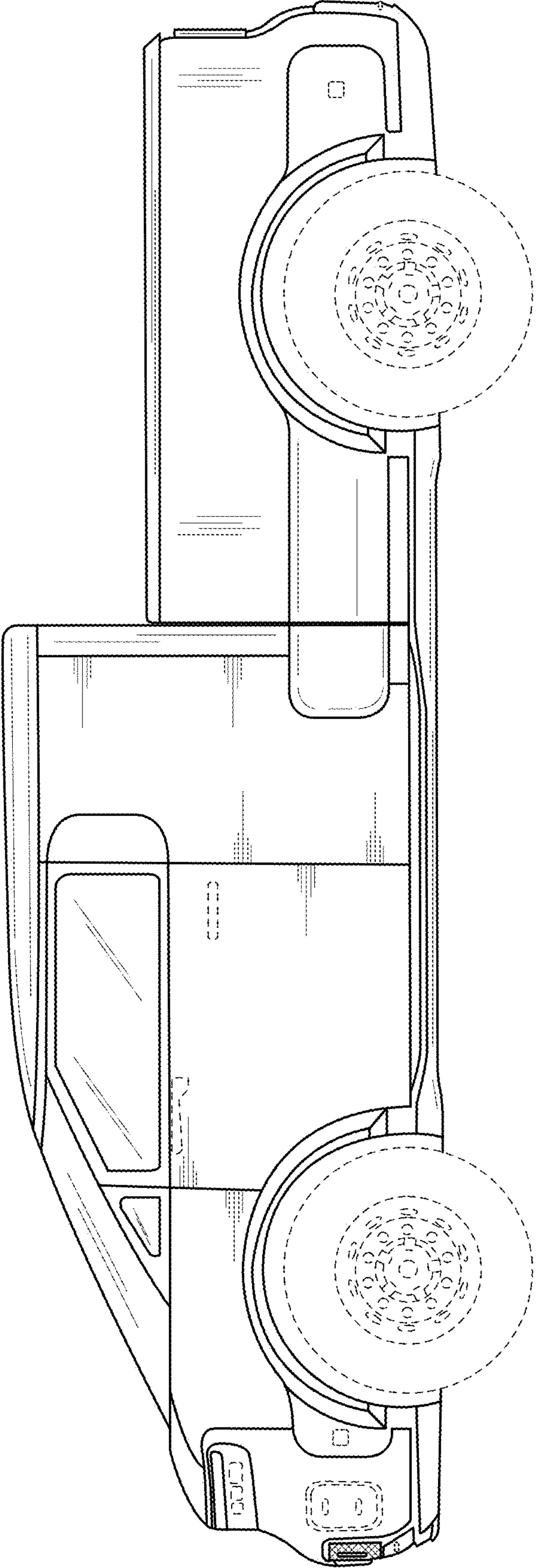


FIG. 5

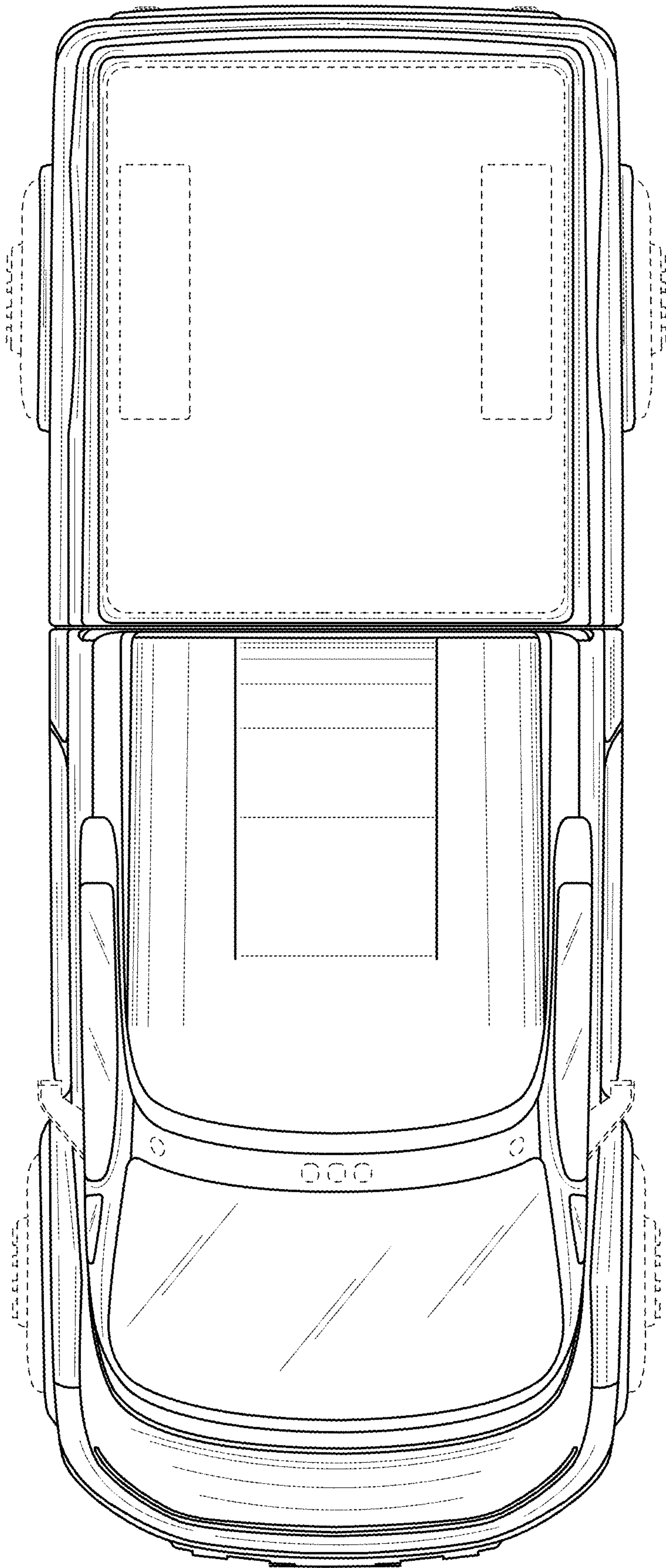


FIG. 6

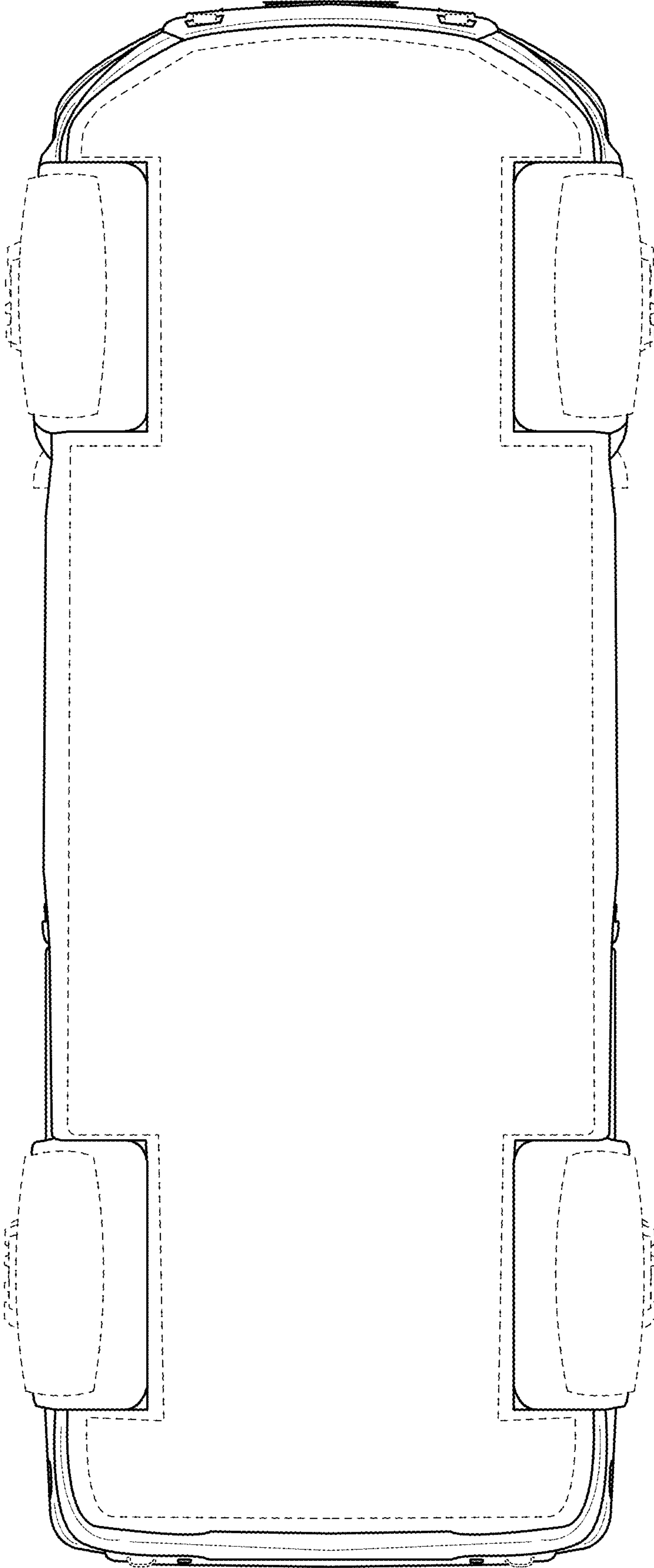


FIG. 7