



US00D904223S

(12) **United States Design Patent** (10) **Patent No.:** **US D904,223 S**  
**Gagnon et al.** (45) **Date of Patent:** **\*\* Dec. 8, 2020**

(54) **PLANTER**  
(71) Applicant: **Hollyweed North Cannabis Inc.,**  
Malahat (CA)  
(72) Inventors: **Renee Gagnon, Victoria (CA); Neil**  
**Gilbert, Victoria (CA)**  
(73) Assignee: **HOLLYWEED NORTH CANNABIS**  
**INC., Malahat (CA)**  
(\*\*) Term: **15 Years**  
(21) Appl. No.: **29/678,608**  
(22) Filed: **Jan. 30, 2019**  
(51) **LOC (12) Cl.** ..... **11-02**  
(52) **U.S. Cl.**  
USPC ..... **D11/152**  
(58) **Field of Classification Search**  
USPC ..... D11/143–156, 164; D3/304, 313, 314;  
D6/403, 404, 405, 556, 557, 558;  
D7/357, 553.2, 553.3, 554.3, 554.4;  
D9/433, 454, 455  
CPC . A01G 5/04; A01G 9/02; A01G 9/021; A01G  
9/022; A01G 9/027; A01G 9/028; A01G  
9/029; A01G 9/0293; A01G 9/0295;  
A01G 9/0297; A01G 9/0299; A01G 9/04;  
A01G 9/042; A01G 9/045; A47G 7/00;  
A47G 7/02; A47G 7/04; A47G 7/06;  
A47G 7/08  
See application file for complete search history.

(56) **References Cited**  
U.S. PATENT DOCUMENTS  
1,604,218 A \* 10/1926 Bruns ..... A47G 7/06  
47/75  
3,991,516 A \* 11/1976 Cicero ..... A01G 9/02  
47/87

5,522,178 A \* 6/1996 Cone ..... A01G 9/029  
47/58.1 R  
D481,653 S \* 11/2003 Kalema ..... D11/143  
D533,062 S \* 12/2006 Beaver ..... D9/445  
7,527,174 B2 \* 5/2009 Meehan ..... A47K 1/08  
141/332  
D663,203 S \* 7/2012 Bodkin ..... D9/454  
D663,236 S \* 7/2012 Pedersen ..... D11/154  
D723,418 S \* 3/2015 Thuma ..... D11/143  
9,314,117 B2 \* 4/2016 Keil ..... A47G 7/047  
D831,534 S \* 10/2018 Wang ..... D11/152  
D862,282 S \* 10/2019 Hung ..... D11/152  
10,450,128 B2 \* 10/2019 Hung ..... B65D 5/42  
D877,652 S \* 3/2020 Hung ..... D11/152  
2010/0107488 A1 \* 5/2010 King ..... A01G 13/0212  
47/20.1  
2011/0056130 A1 \* 3/2011 Wang ..... A01G 9/02  
47/65.5

**FOREIGN PATENT DOCUMENTS**

GB 4029273 \* 6/2013

\* cited by examiner

*Primary Examiner* — Elizabeth A. Albert  
(74) *Attorney, Agent, or Firm* — Borden Ladner Gervais  
LLP; Todd Keeler

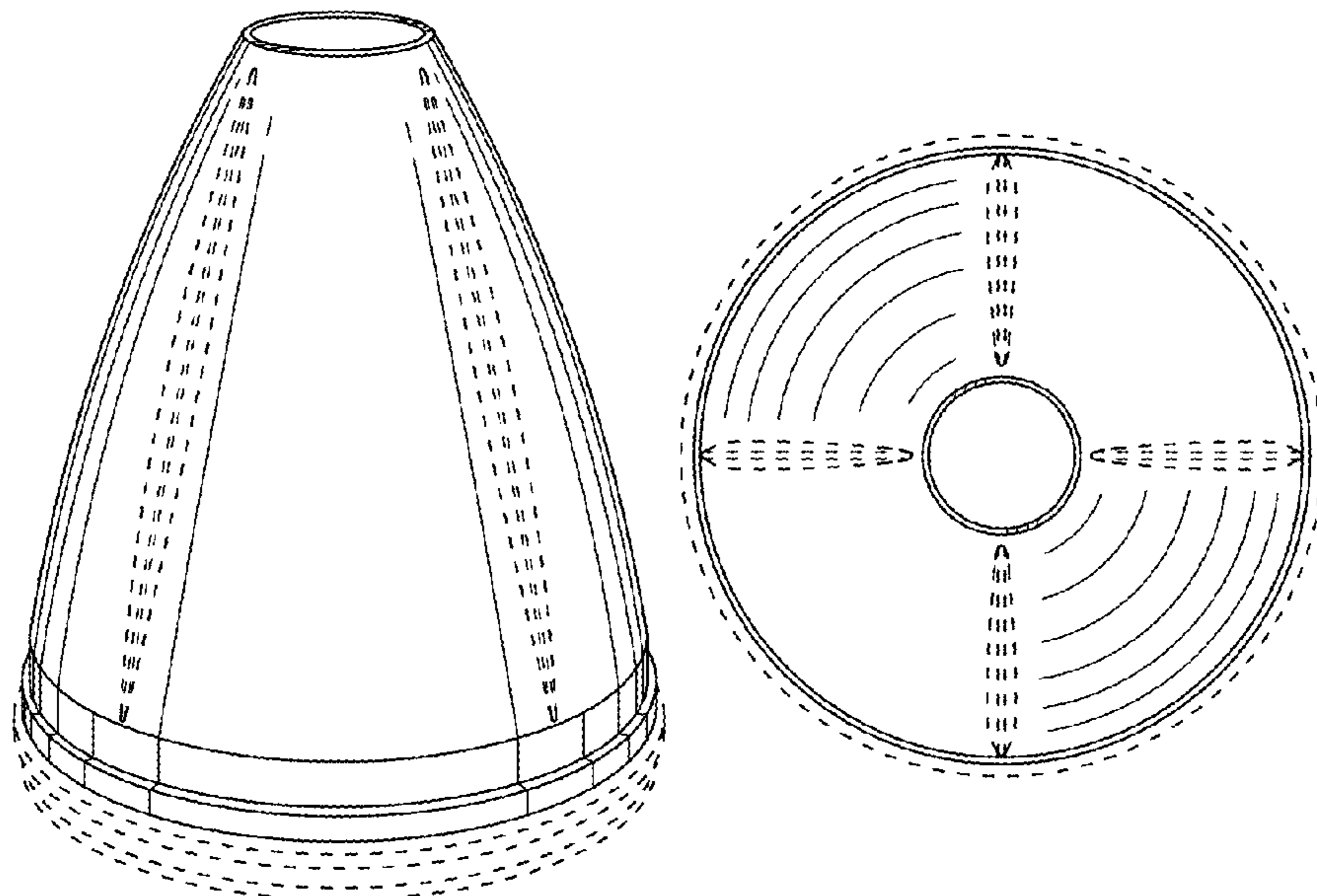
(57) **CLAIM**

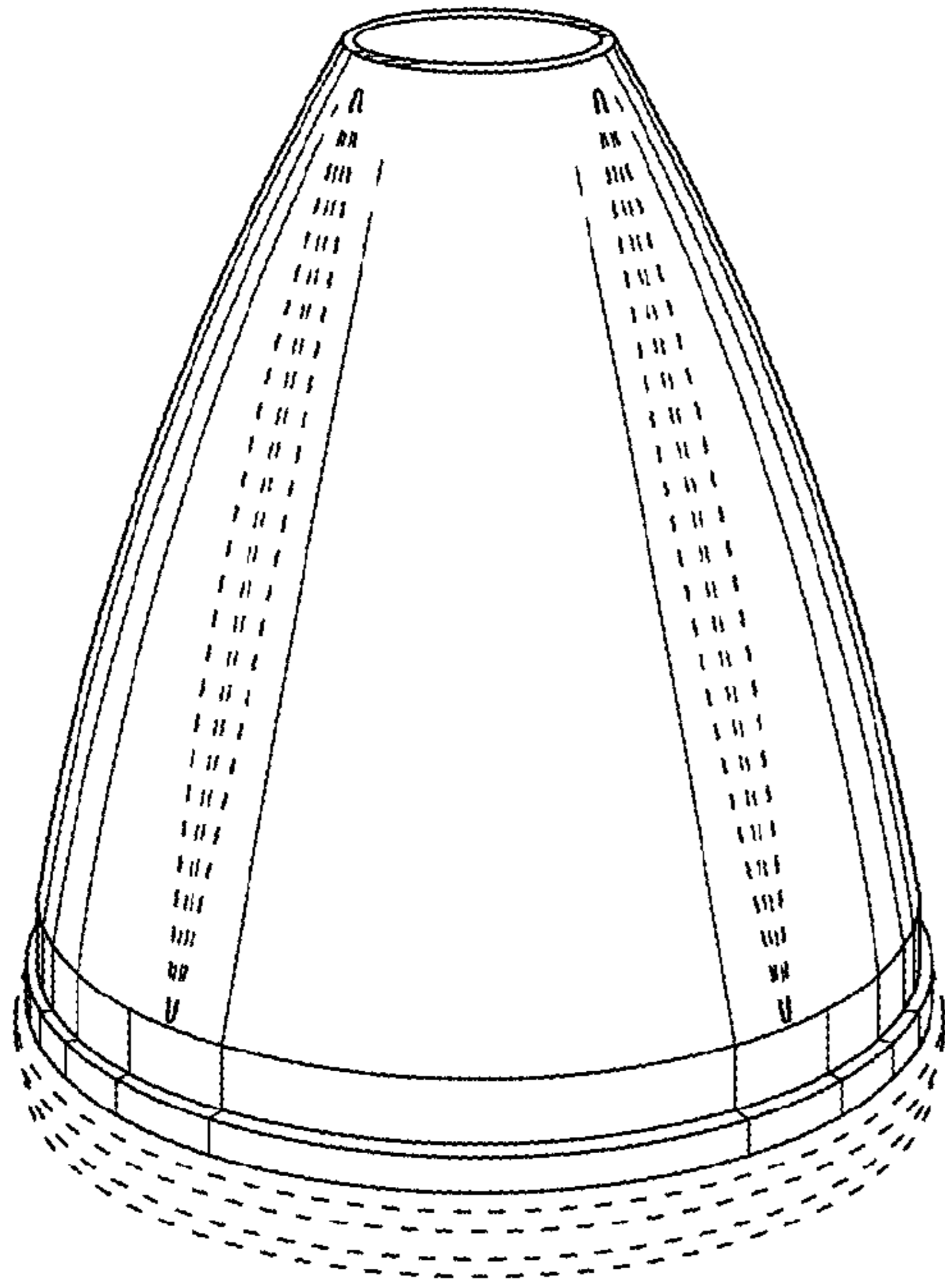
The ornamental design for a planter, as shown and described.

**DESCRIPTION**

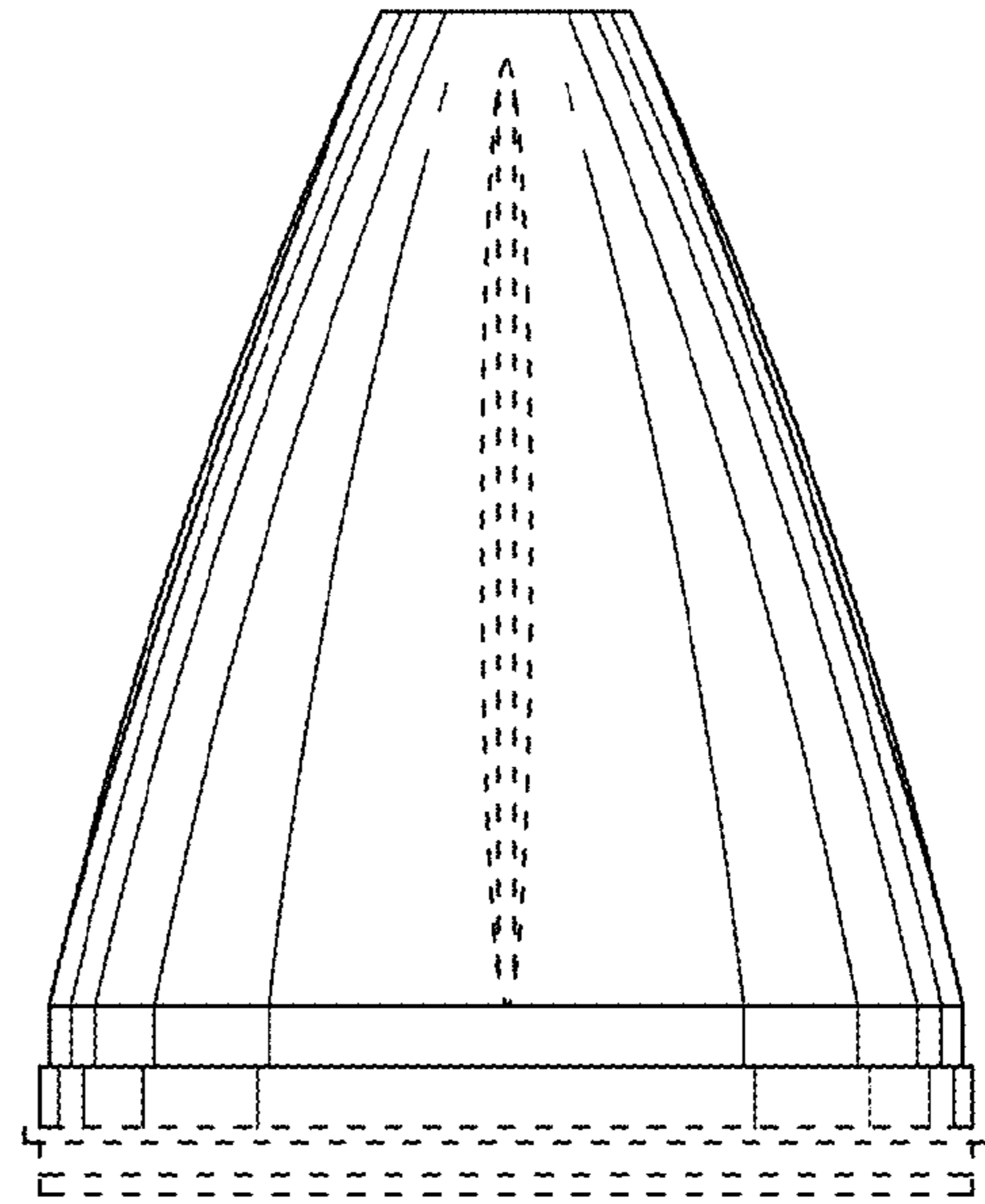
FIG. 1 is a perspective view;  
FIG. 2 is an elevation view;  
FIG. 3 is a top view; and,  
FIG. 4 is a bottom view.  
The broken lines in the drawings are included for the purpose of showing portions of the planter that form no part of the claimed design.

**1 Claim, 1 Drawing Sheet**

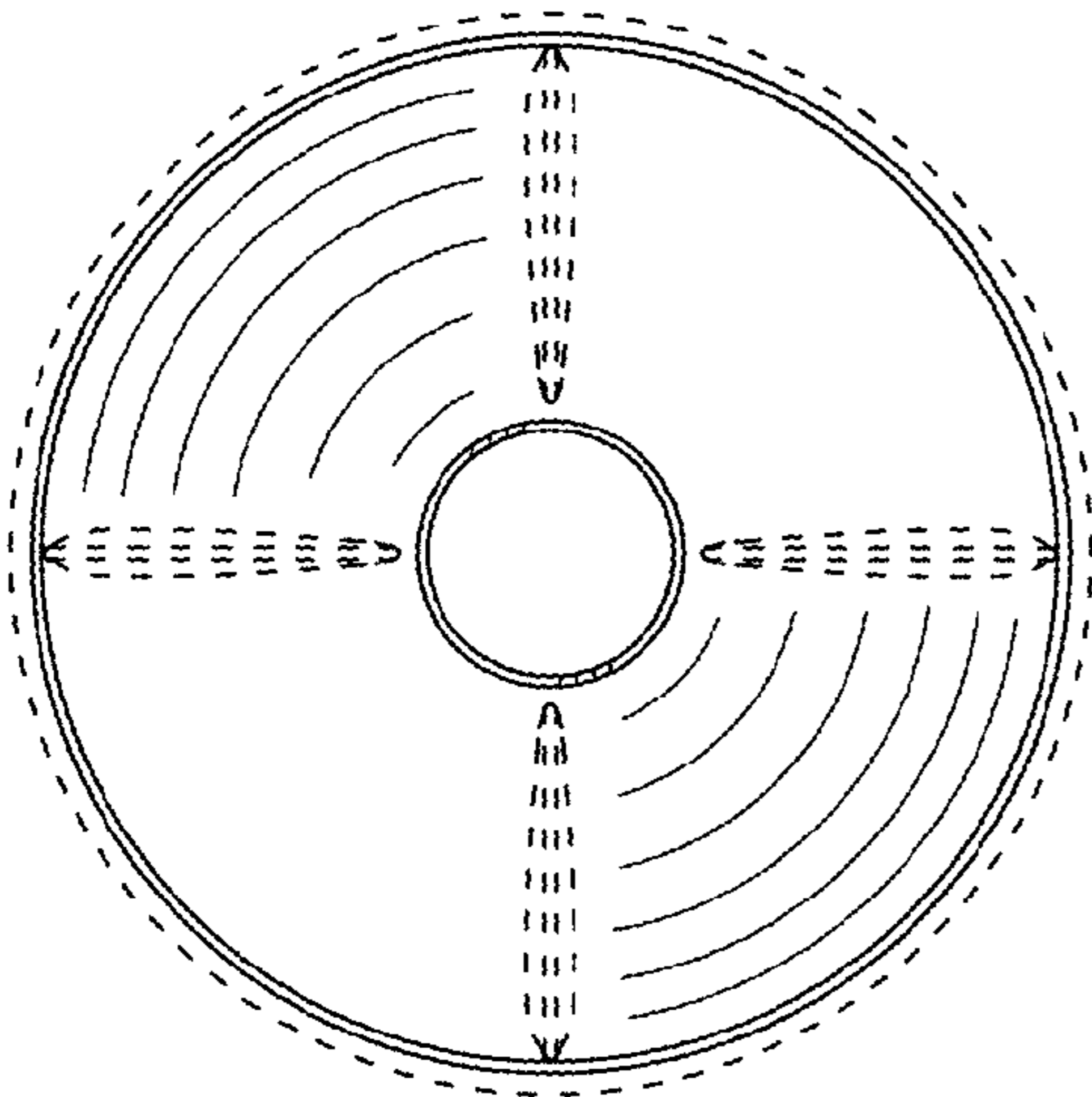




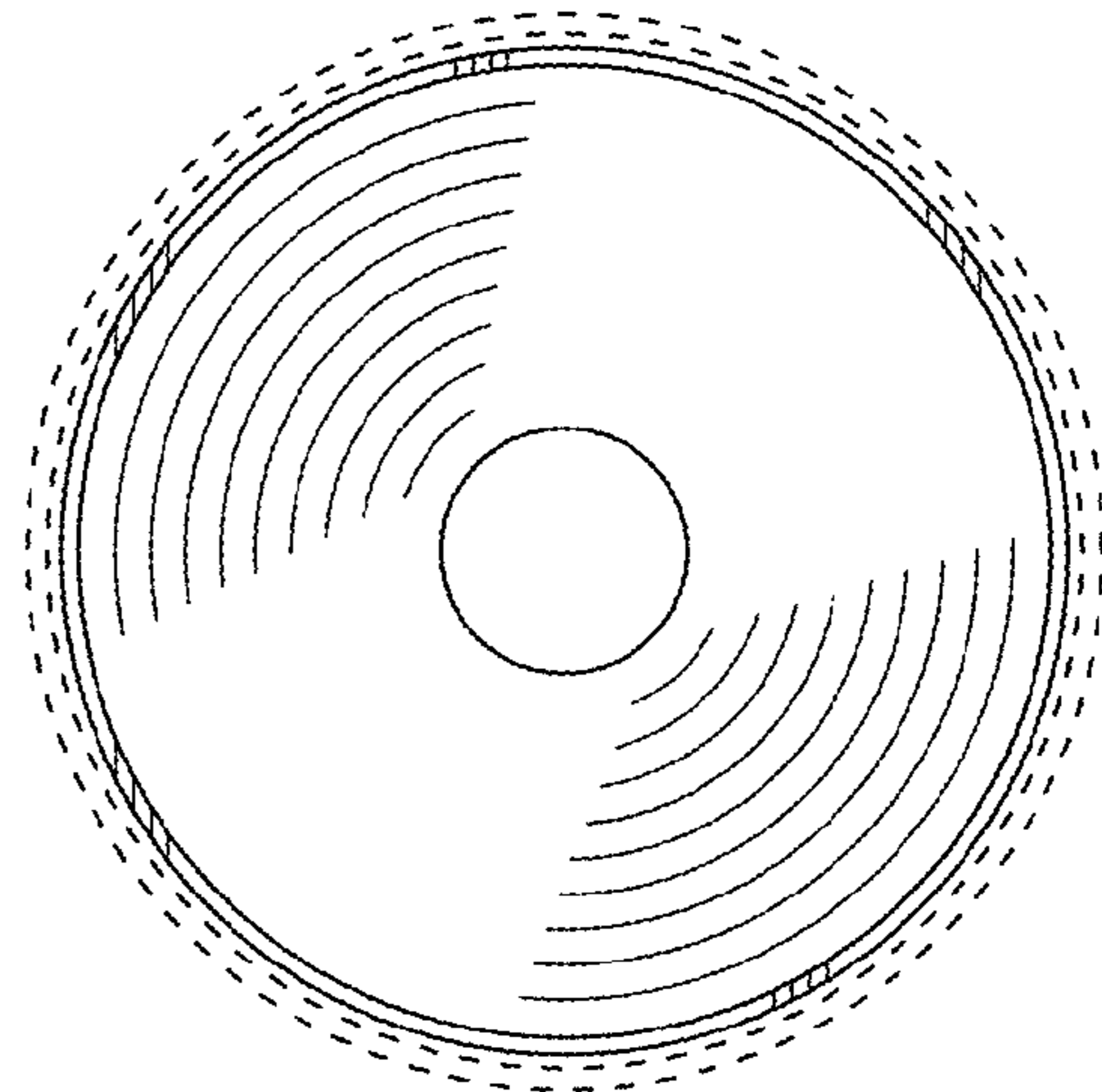
**FIG. 1**



**FIG. 2**



**FIG. 3**



**FIG. 4**