



US00D904222S

(12) **United States Design Patent**
Zhao

(10) **Patent No.:** **US D904,222 S**

(45) **Date of Patent:** **** Dec. 8, 2020**

(54) **TREE STAND**

(71) Applicant: **Ningbo Tree Nest International Trading Co., Ltd., Ningbo (CN)**

(72) Inventor: **Honghua Zhao Zhao, Ningbo (CN)**

(73) Assignee: **NINGBO TREE NEST INTERNATIONAL TRADING CO., LTD., Ningbo (CN)**

(**) Term: **15 Years**

(21) Appl. No.: **29/656,862**

(22) Filed: **Jul. 17, 2018**

(51) **LOC (12) Cl.** **06-99**

(52) **U.S. Cl.**
USPC **D11/130.1**

(58) **Field of Classification Search**
USPC ... D11/117, 121, 130, 130.1, 131, 143, 144, D11/152, 153, 154; 428/7, 8, 9, 12, 15, 428/19, 20; 248/519, 523-526; 47/39, 47/40.5, 41.1, 41.11-41.15, 42, 43
CPC . E04H 12/2238; E04H 12/3346; A47G 33/12; A47G 33/1206; A47G 33/1213; A47G 33/1226; A47G 22/1246; A47G 33/126
See application file for complete search history.

2,931,604 A * 4/1960 Weddle A47G 33/12 47/40.5

D188,862 S * 9/1960 Krastel D11/130.1

D189,100 S * 10/1960 Berning D11/130.1

D221,969 S * 9/1971 De Vries D11/130.1

D232,791 S * 9/1974 Schultz D11/130.1

D307,729 S * 5/1990 Zonni D11/130.1

D321,839 S * 11/1991 Rosato D11/130.1

D329,208 S * 9/1992 Bowling D11/130.1

D351,570 S * 10/1994 Fillipp D11/130.1

D354,930 S * 1/1995 Rush D11/130.1

D364,831 S * 12/1995 Fillipp D11/130.1

D368,674 S * 4/1996 Avinger D11/130.1

D370,185 S * 5/1996 Grimm D11/130.1

D381,598 S * 7/1997 Roberts D11/130.1

D382,227 S * 8/1997 Adams D11/130.1

D418,083 S * 12/1999 Wilson, Jr. D11/130.1

D443,227 S * 6/2001 Sofy D11/130.1

D449,560 S * 10/2001 Krinner D11/130.1

D480,014 S * 9/2003 Goerke D11/130.1

D497,832 S * 11/2004 Glover D11/130.1

D543,895 S * 6/2007 Bolster D11/117

D709,794 S * 7/2014 Gage, Jr. D11/130.1

D807,225 S * 1/2018 Zhao D11/130.1

(Continued)

Primary Examiner — Elizabeth J Oswecki
(74) *Attorney, Agent, or Firm* — Muncy, Geissler, Olds & Lowe, P.C.

(57) **CLAIM**

The ornamental design for a tree stand, as shown and described.

DESCRIPTION

FIG. 1 is a Perspective view of a tree stand showing my new design;
FIG. 2 is a Top plan view thereof;
FIG. 3 is a Bottom plan view thereof; and,
FIG. 4 is a front elevational view thereof, the rear elevational view, left side elevational view, and right side elevational view being identical.

1 Claim, 3 Drawing Sheets

(56) **References Cited**

U.S. PATENT DOCUMENTS

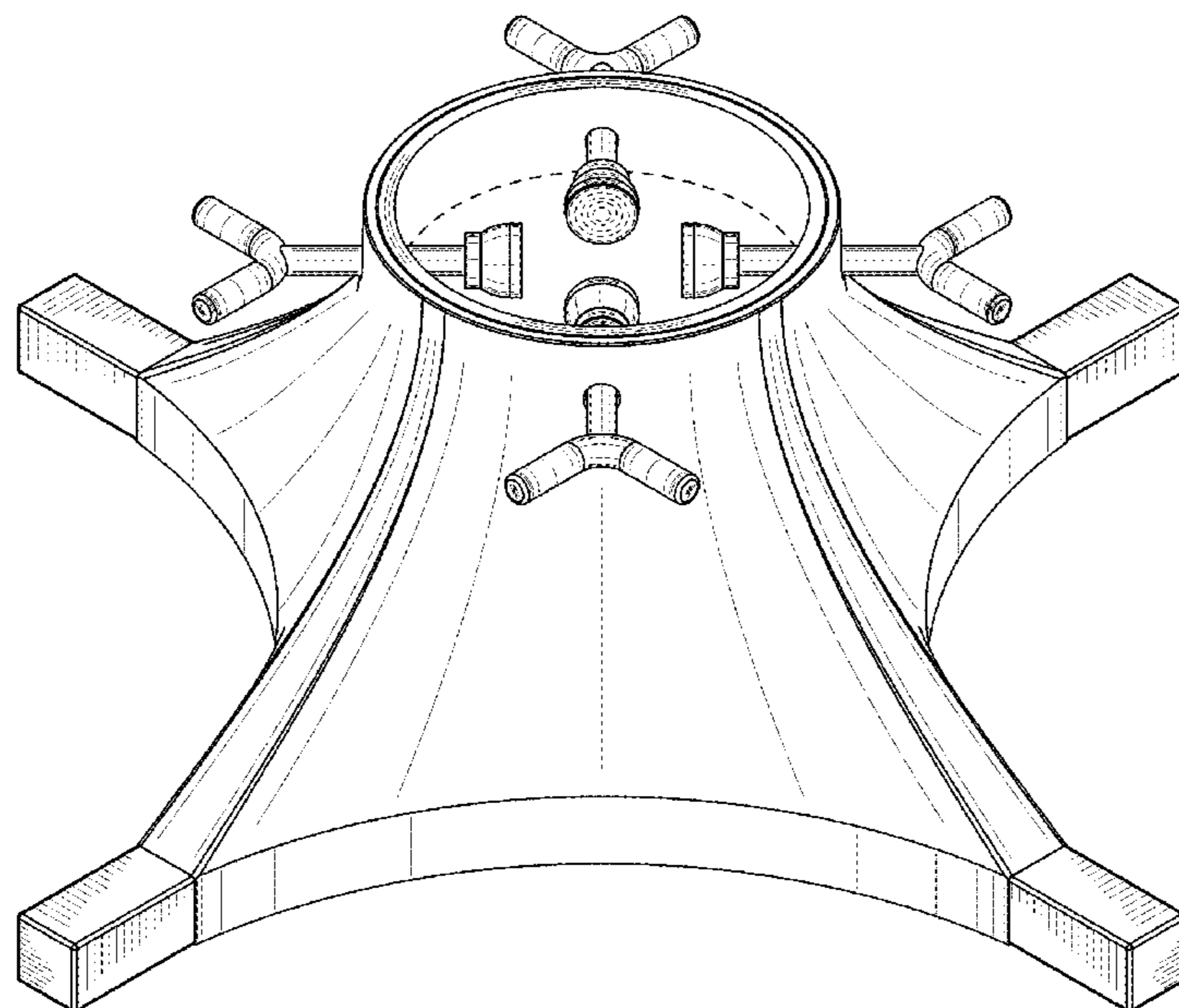
1,742,212 A * 1/1930 Muldoon A47G 33/12 362/134

2,044,192 A * 6/1936 Templin, Jr. A47G 33/12 47/40.5

D172,007 S * 4/1954 Cousland D11/130.1

D178,974 S * 10/1956 Schulz D11/130.1

2,905,414 A * 9/1959 Zierden A47G 33/12 47/40.5



(56)

References Cited

U.S. PATENT DOCUMENTS

D825,375 S	*	8/2018	Zhao	D11/130.1
D831,531 S	*	10/2018	Zhao	D11/130.1
D846,430 S	*	4/2019	Wach	D11/130.1
D863,100 S	*	10/2019	Zhao	D11/130.1

* cited by examiner

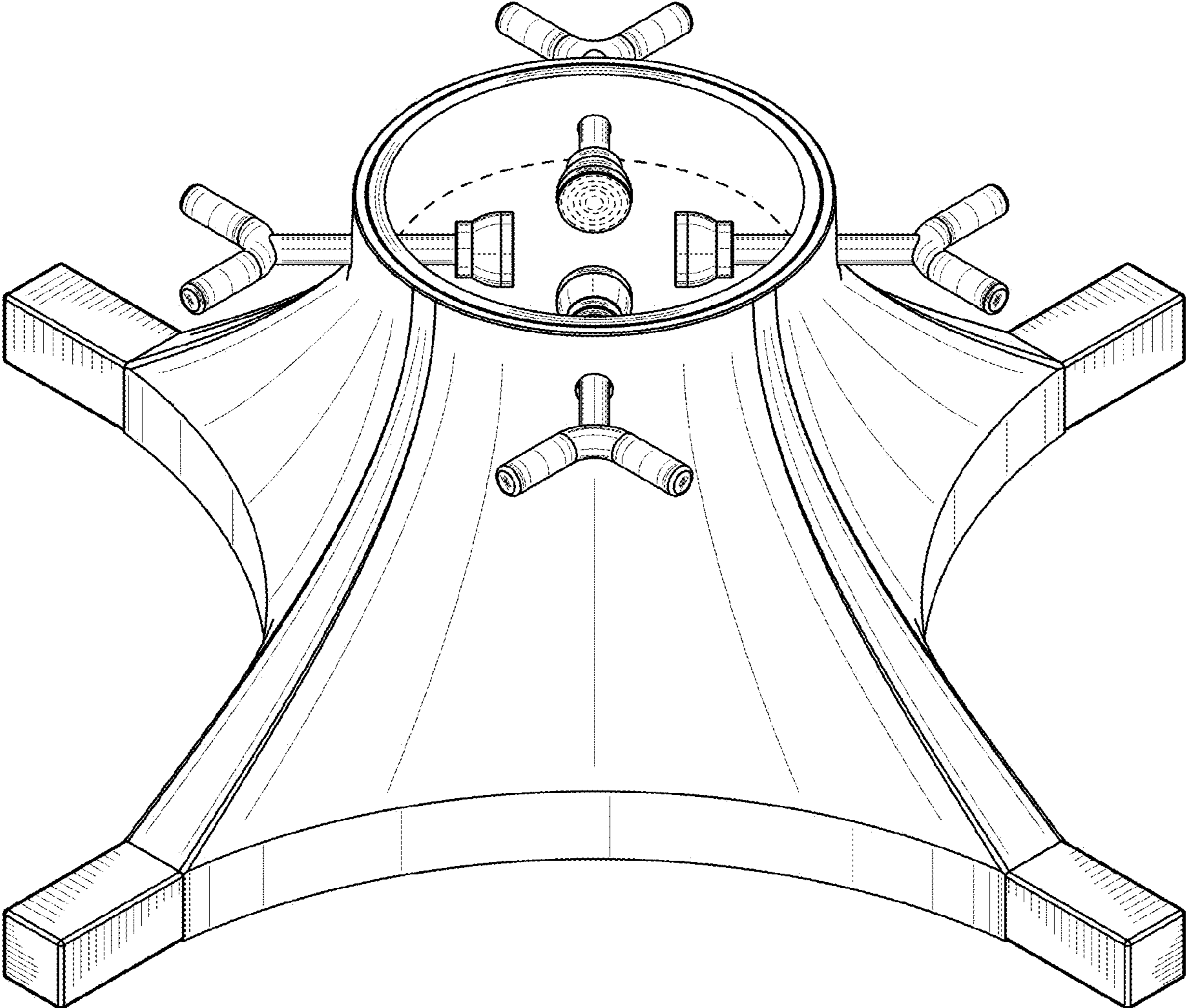


FIG. 1

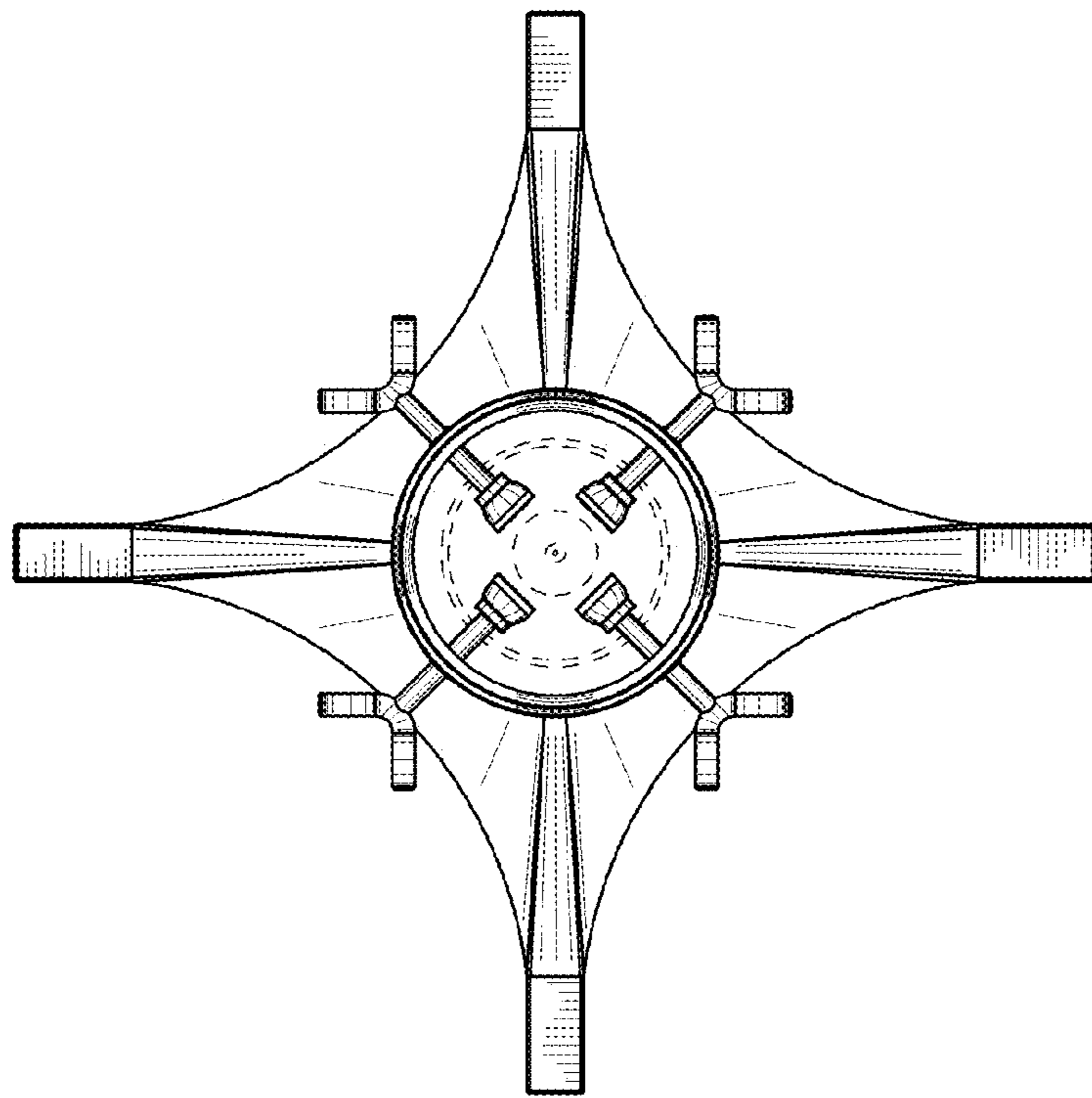


FIG. 2

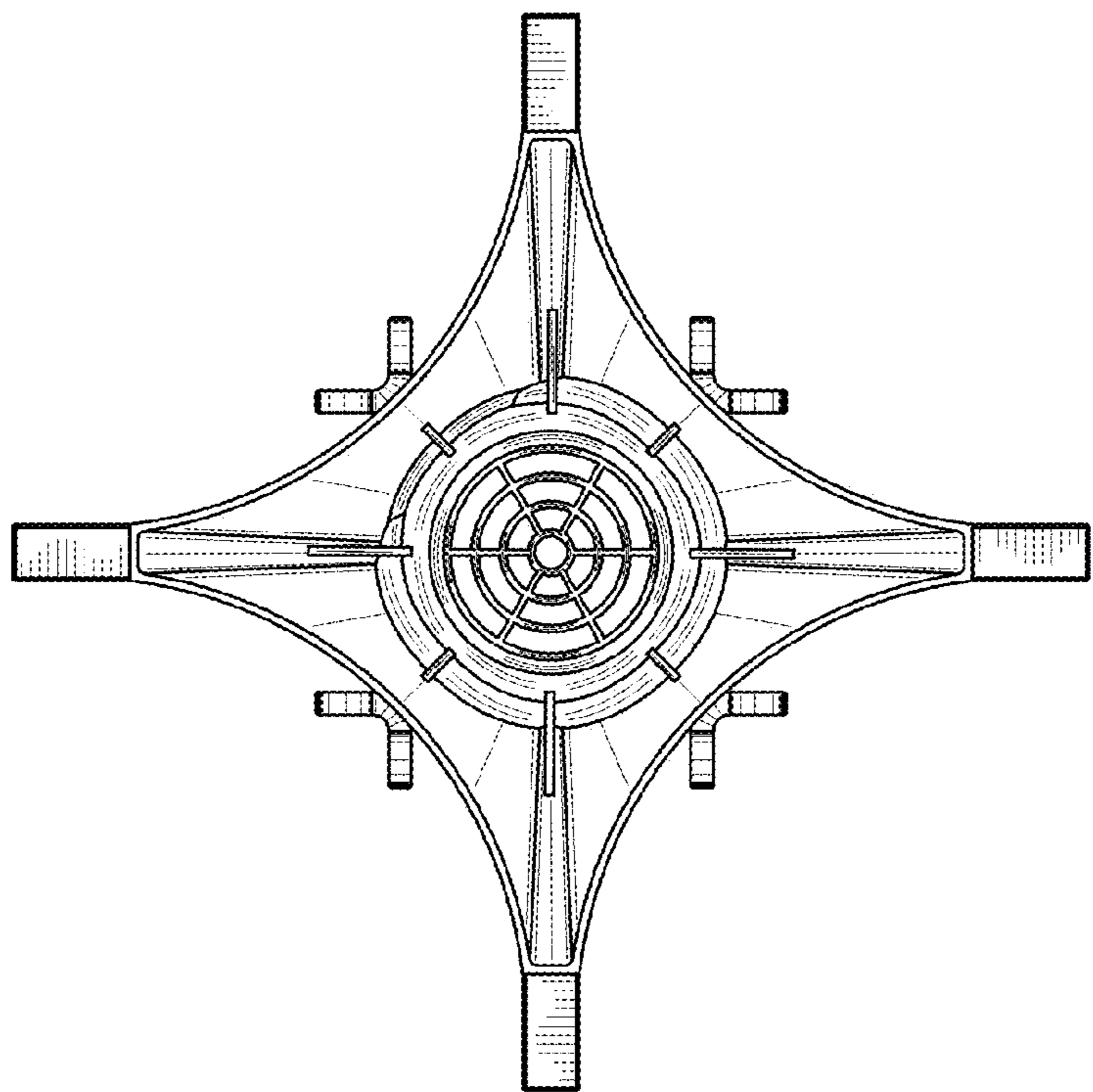


FIG. 3

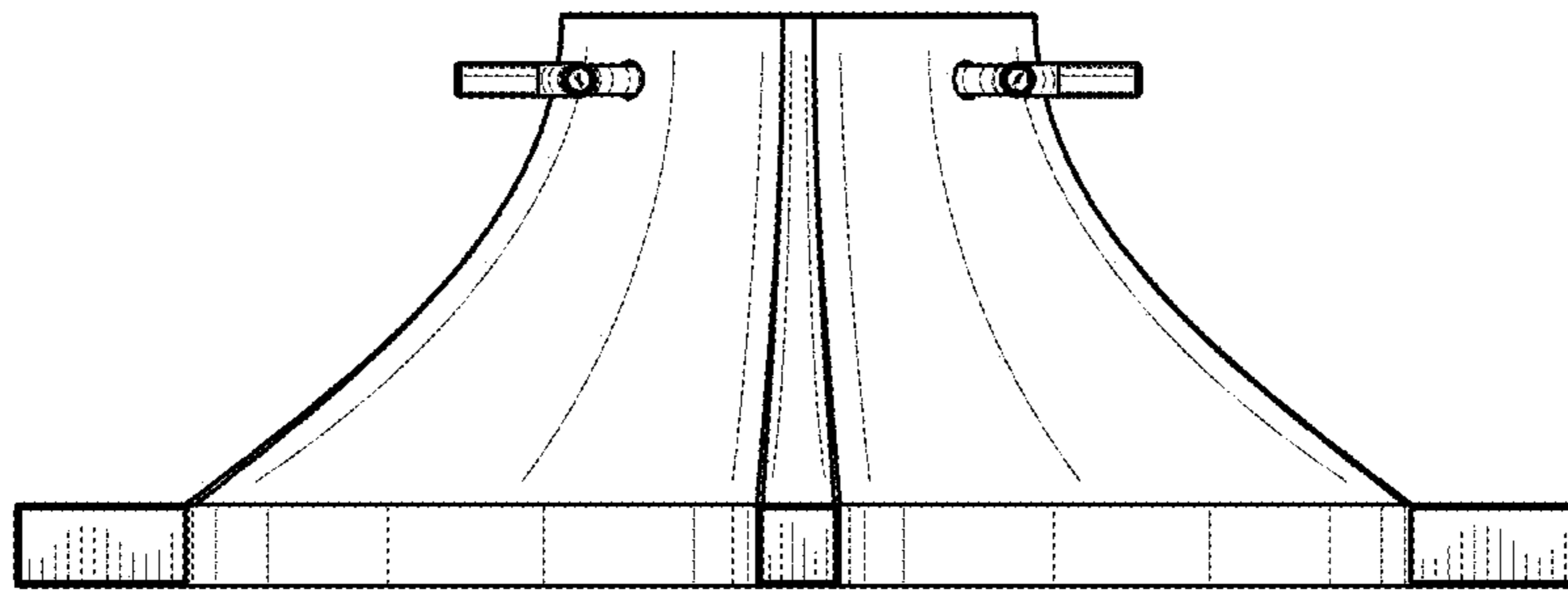


FIG. 4