



US00D904221S

(12) **United States Design Patent**
Zhao

(10) **Patent No.:** **US D904,221 S**

(45) **Date of Patent:** **** Dec. 8, 2020**

(54) **TREE STAND**

(71) Applicant: **Ningbo Tree Nest International Trading Co., Ltd., Ningbo (CN)**

(72) Inventor: **Honghua Zhao Zhao, Ningbo (CN)**

(73) Assignee: **NINGBO TREE NEST INTERNATIONAL TRADING CO., LTD., Ningbo (CN)**

(**) Term: **15 Years**

(21) Appl. No.: **29/656,860**

(22) Filed: **Jul. 17, 2018**

(51) **LOC (12) Cl.** **06-99**

(52) **U.S. Cl.**
USPC **D11/130.1**

(58) **Field of Classification Search**
USPC ... D11/117, 121, 130, 130.1, 131, 143, 144, D11/152, 153, 154; 428/7, 8, 9, 12, 15, 428/19, 20; 248/519, 523-526; 47/39, 47/40.5, 41.1, 41.11-41.15, 42, 43
CPC . E04H 12/2238; E04H 12/3346; A47G 33/12; A47G 33/1206; A47G 33/1213; A47G 33/1226; A47G 22/1246; A47G 33/126
See application file for complete search history.

(56) **References Cited**

U.S. PATENT DOCUMENTS

626,514 A *	6/1899	Wagner	47/40.5
1,159,353 A *	11/1915	Bergwall	A47G 33/12 248/527
D73,412 S *	9/1927	Muldoon	D11/130.1
D79,274 S *	8/1929	Laroche	D11/130.1
D79,385 S *	9/1929	Porteous	D11/130.1
1,742,212 A *	1/1930	Muldoon	A47G 33/12 362/134
D172,007 S *	4/1954	Cousland	D11/130.1

D178,974 S *	10/1956	Schulz	D11/130.1
D187,542 S *	3/1960	Cosentino	D11/130.1
2,931,604 A *	4/1960	Weddle	A47G 33/12 47/40.5
D188,862 S *	9/1960	Krastel	D11/130.1
D189,100 S *	10/1960	Berning	D11/130.1
D232,791 S *	9/1974	Schulz	D11/130.1
D269,571 S *	7/1983	Geshwind	D11/130.1
D287,476 S *	12/1986	Craft	D11/130.1
D307,729 S *	5/1990	Zonni	D11/130.1
D321,670 S *	11/1991	Buonito	D11/130.1
D321,839 S *	11/1991	Rosato	D11/130.1
D329,208 S *	9/1992	Bowling	D11/130.1
D351,570 S *	10/1994	Fillipp	D11/130.1
D354,930 S *	1/1995	Rush	D11/130.1
D364,831 S *	12/1995	Fillipp	D11/130.1
D366,008 S *	1/1996	Newcomer	D11/130.1
D370,185 S *	5/1996	Grimm	D11/130.1
D373,327 S *	9/1996	Rush	D11/130.1

(Continued)

Primary Examiner — Elizabeth J Oswecki

(74) *Attorney, Agent, or Firm* — Muncy, Geissler, Olds & Lowe, P.C.

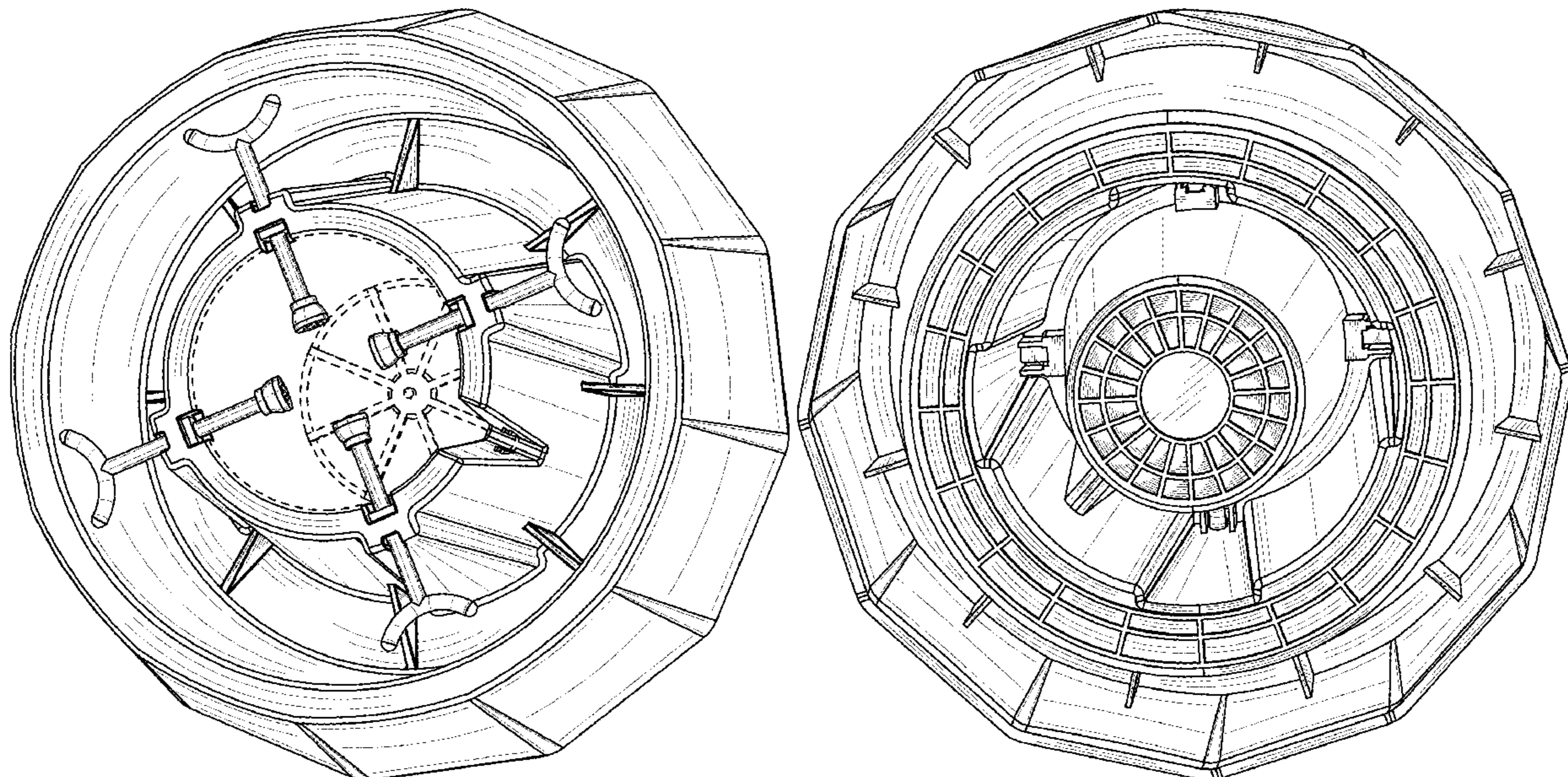
(57) **CLAIM**

The ornamental design for a tree stand, as shown and described.

DESCRIPTION

FIG. 1 is a top perspective view of a tree stand showing my new design;
FIG. 2 is a bottom perspective view thereof;
FIG. 3 is a top plan view thereof;
FIG. 4 is a bottom plan view thereof; and,
FIG. 5 is a front elevational view thereof, with the rear elevational view, left side elevational view and right side elevational view being identical.
The broken lines shown in the drawings represent portions of the tree stand that form no part of the claimed design.

1 Claim, 5 Drawing Sheets



(56)

References Cited

U.S. PATENT DOCUMENTS

D396,824	S	*	8/1998	Bolster	D11/130.1
D418,083	S	*	12/1999	Wilson, Jr.	D11/130.1
D443,227	S	*	6/2001	Sofy	D11/130.1
D451,839	S	*	12/2001	Pomeroy	D11/130.1
D498,172	S	*	11/2004	Verni	D11/130.1
D543,895	S	*	6/2007	Bolster	D11/117
D676,353	S	*	2/2013	Bycraft	D11/130.1
D709,794	S	*	7/2014	Gage, Jr.	D11/130.1
D821,913	S	*	7/2018	Lannie	D11/130.1
D842,163	S	*	3/2019	Rapp	D11/130.1
D846,430	S	*	4/2019	Wach	D11/130.1
D863,100	S	*	10/2019	Zhao	D11/130.1

* cited by examiner

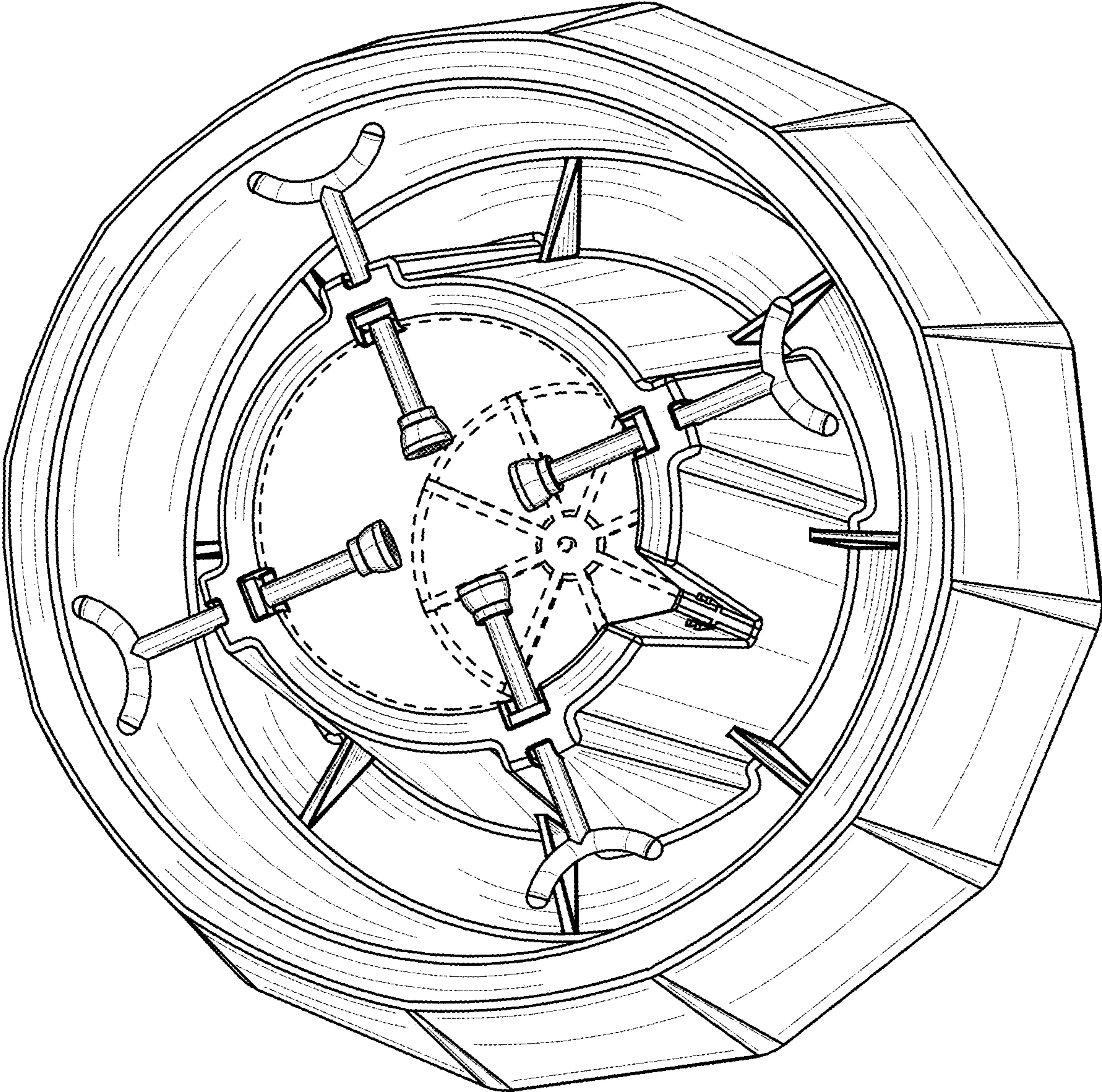


FIG. 1

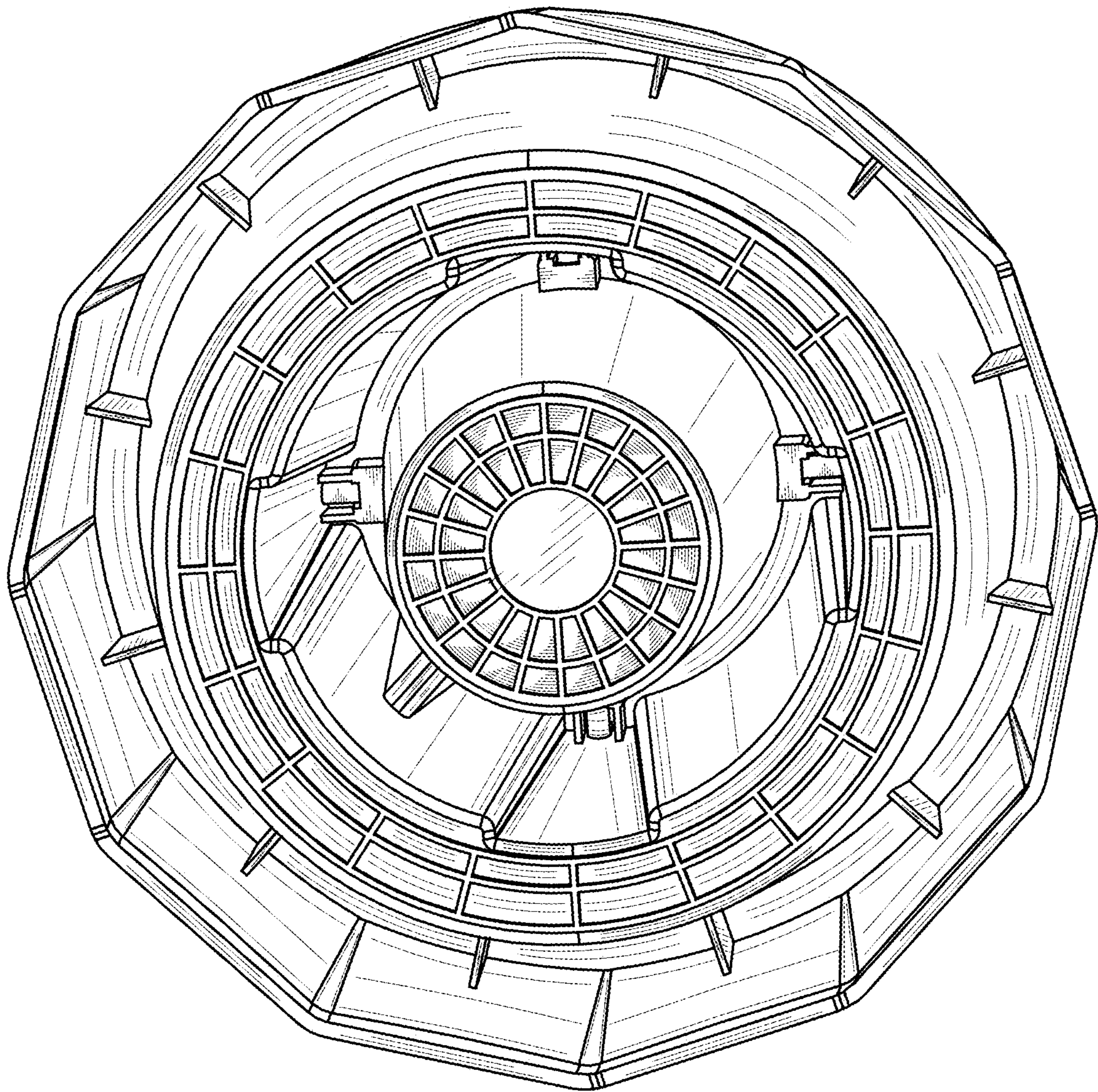


FIG. 2

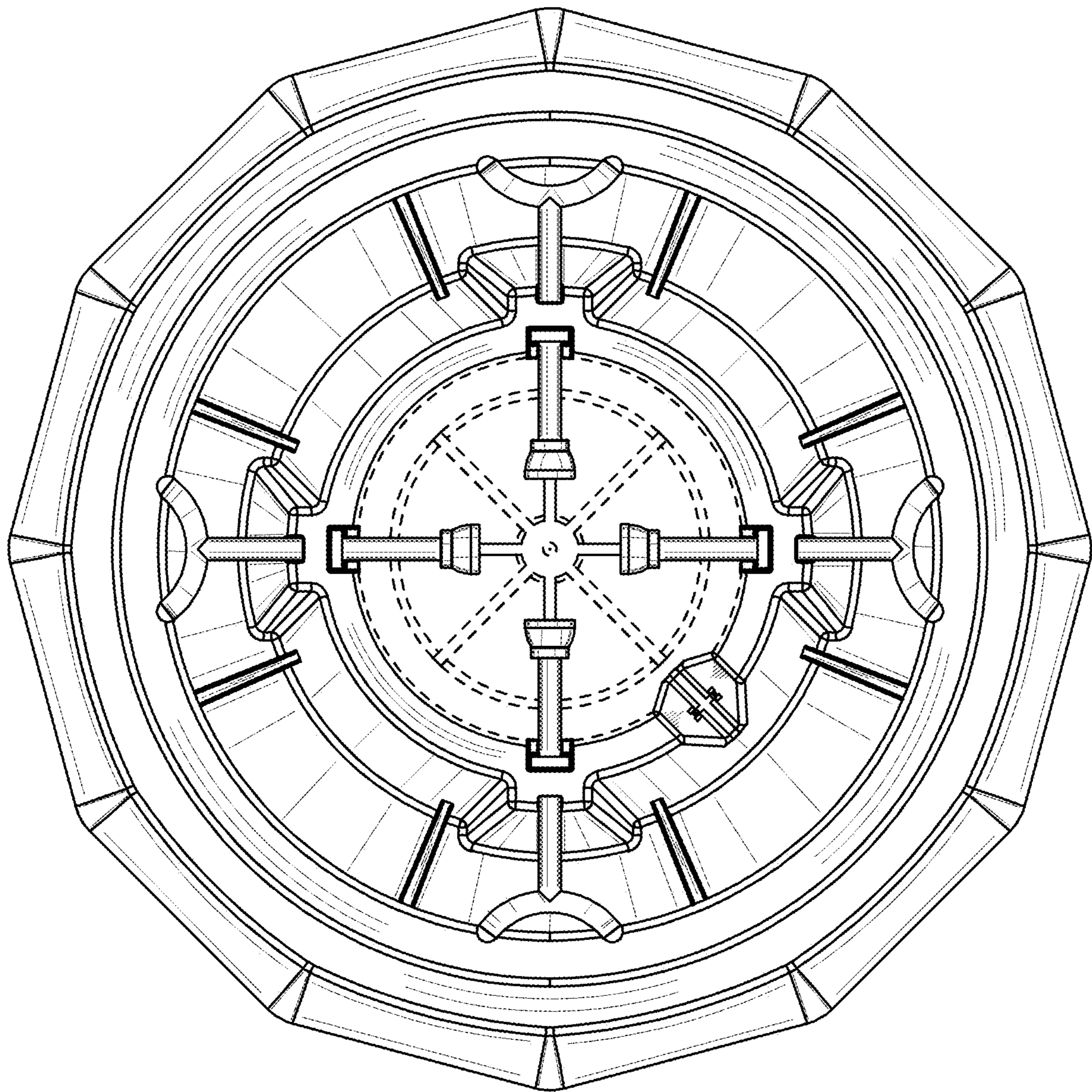


FIG. 3

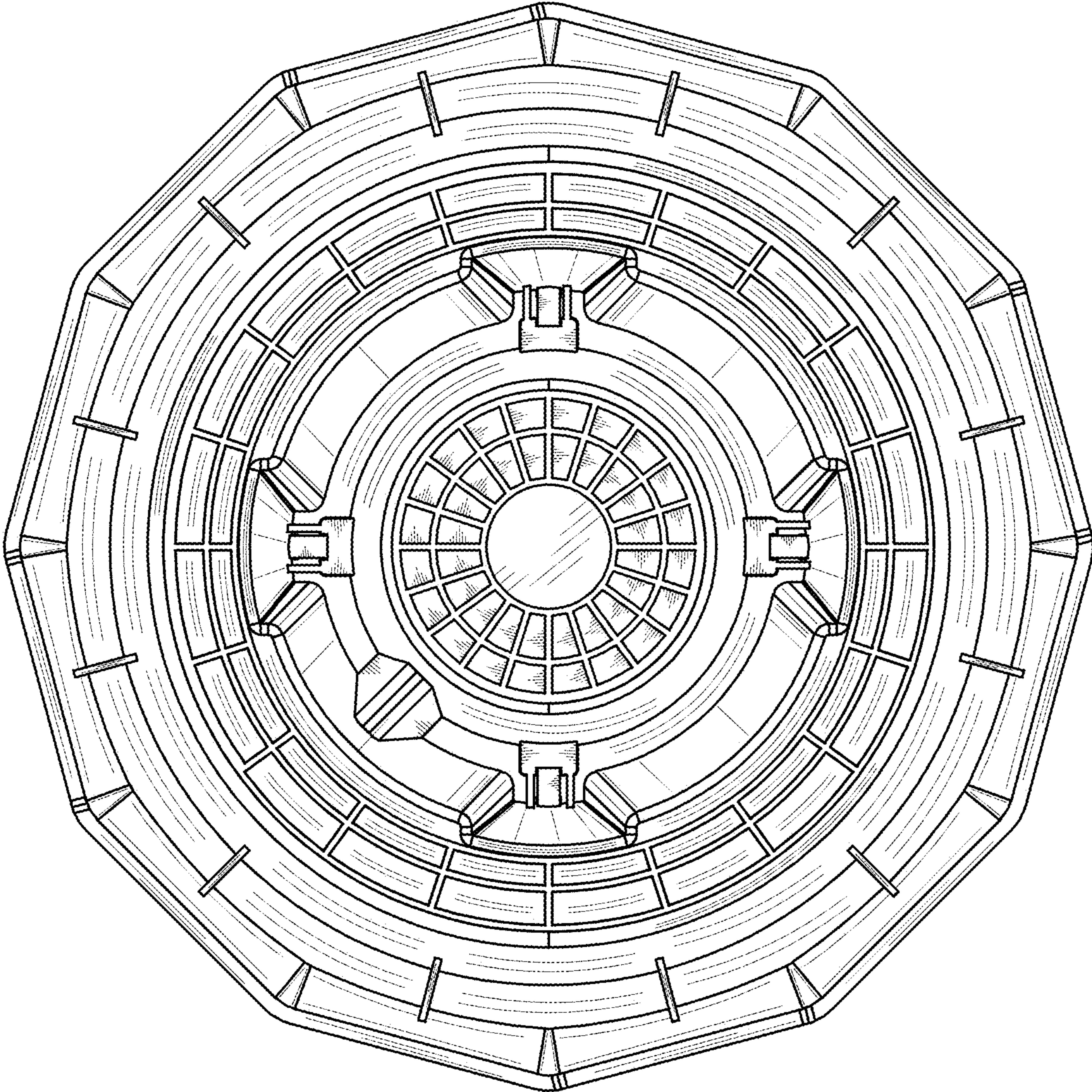


FIG. 4

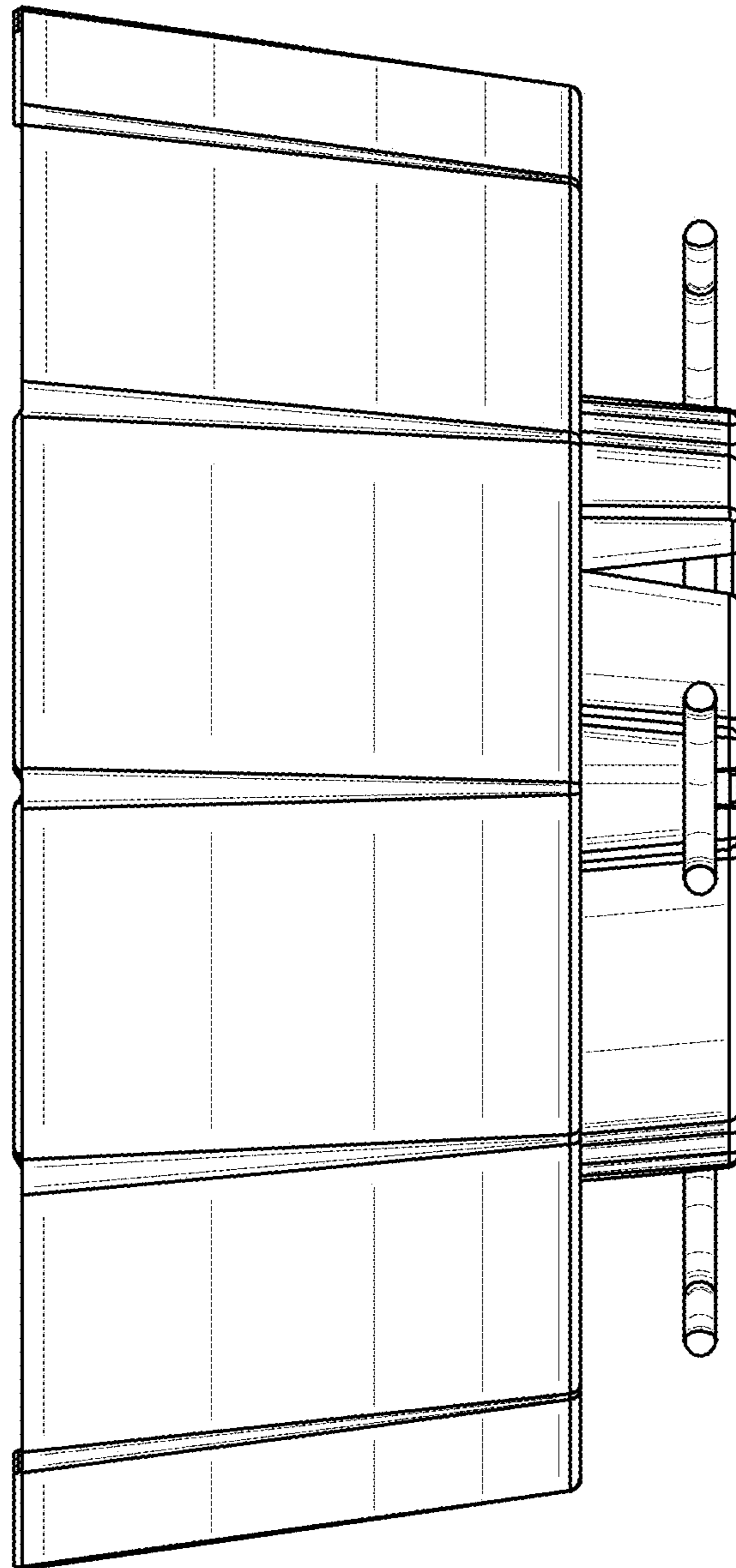


FIG. 5