



US00D904218S

(12) **United States Design Patent**
Kousik et al.

(10) **Patent No.:** **US D904,218 S**

(45) **Date of Patent:** **** Dec. 8, 2020**

- (54) **ADAPTER BRACKET**
- (71) Applicant: **Medline Industries, Inc.**, Northfield, IL (US)
- (72) Inventors: **Arun Kousik**, Northfield, IL (US);
Kyle Frye, Lindenhurst, IL (US)
- (73) Assignee: **Medline Industries, Inc.**, Northfield, IL (US)
- (**) Term: **15 Years**

6,010,017	A *	1/2000	Michaelis	A47F 5/04	211/107
6,105,794	A	8/2000	Bauer			
6,481,678	B1	11/2002	Chong			
D547,863	S *	7/2007	Heinsch	D24/128	
D548,840	S *	8/2007	Fernandez San Pablo	..	D24/180	
7,417,539	B2	8/2008	Mathews			
D585,897	S *	2/2009	Carnevali	D14/434	
7,849,545	B2	12/2010	Flocard			
D675,212	S *	1/2013	Chen	D14/447	
D685,804	S *	7/2013	Richter	D14/447	
8,537,008	B2	9/2013	Tallent			
8,823,529	B2	9/2014	Reed, Jr.			

(Continued)

- (21) Appl. No.: **29/681,901**
- (22) Filed: **Feb. 28, 2019**
- (51) **LOC (12) Cl.** **10-06**
- (52) **U.S. Cl.**
USPC **D10/121**; D24/186
- (58) **Field of Classification Search**
USPC D14/356, 358, 432, 434, 447, 149, 168,
D14/217, 224, 224.1, 238.1, 251, 252,
D14/253; D13/107, 108, 146;
D10/104.1, 106.1, 121; D24/128, 180,
D24/186; D8/349, 353
CPC G06F 1/16; G06F 1/1626; G06F 1/1632;
G06F 1/1675; G06F 1/1688; F16M 11/10;
F16M 11/24; H05K 5/0234; H04M 1/04;
A47F 5/08; A61B 5/6891
See application file for complete search history.

OTHER PUBLICATIONS

Medline Wide-Port Alarm Series Components, online, no post date, URL: <http://punchout.medline.com/product/Wide-Port-Alarm-Series-Components/Alarms/Z05-PF183993?question=&index=P9&indexCount=9>, retrieved Jul. 29, 2020.*

Primary Examiner — Jeffrey D Asch
Assistant Examiner — Rebekah A Caruso
(74) *Attorney, Agent, or Firm* — Fitch, Even, Tabin & Flannery LLP

(57) **CLAIM**

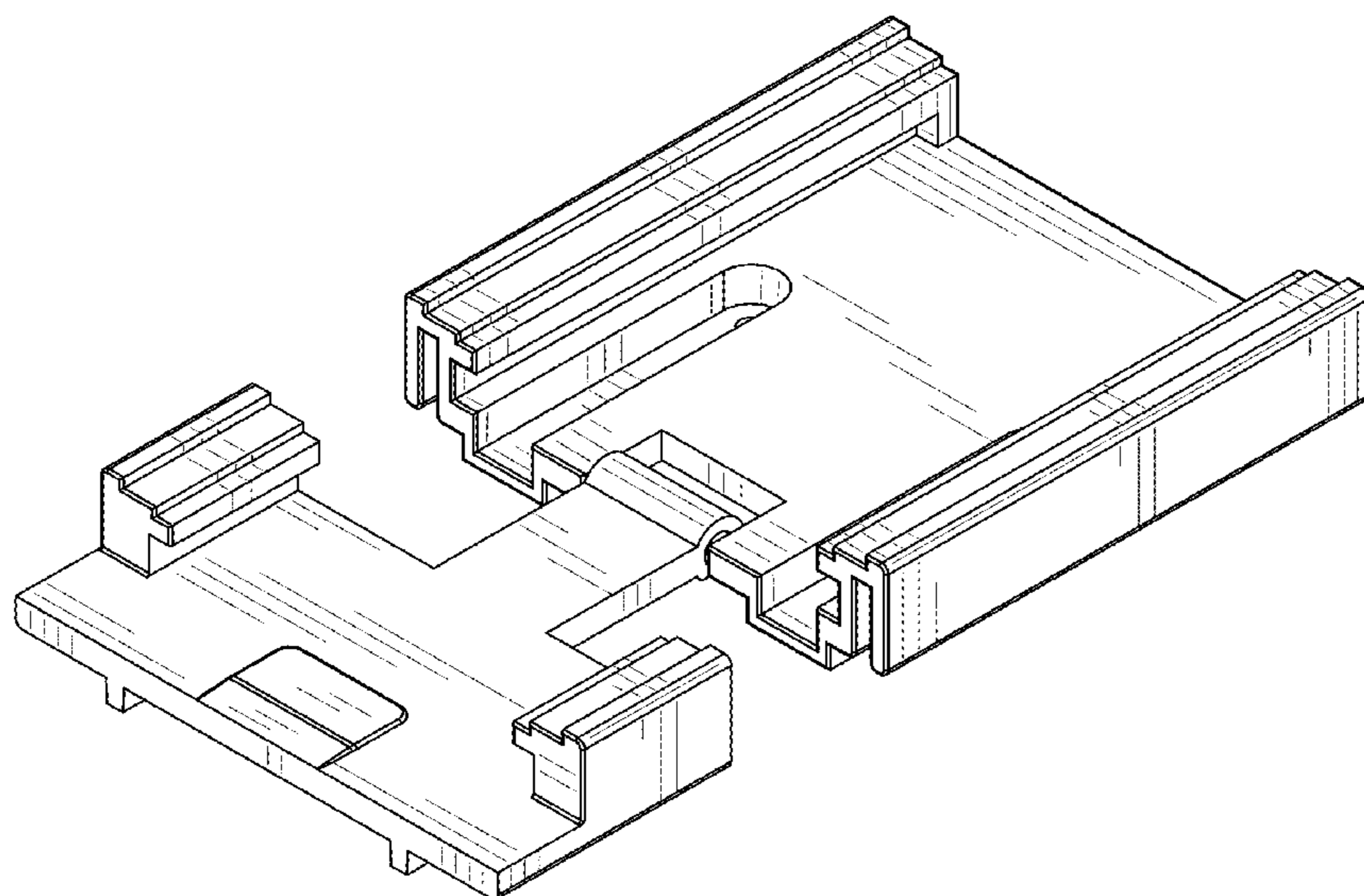
The ornamental design for an adapter bracket, as shown and described.

DESCRIPTION

FIG. 1 is a top, front perspective view of an adapter bracket in accordance with our new design;
FIG. 2 is a bottom, rear perspective view thereof;
FIG. 3 is a top plan view thereof;
FIG. 4 is a bottom plan view thereof;
FIG. 5 is a left side elevation view thereof;
FIG. 6 is a right side elevation view thereof;
FIG. 7 is a front elevation view thereof; and,
FIG. 8 is a rear elevation view thereof.

1 Claim, 6 Drawing Sheets

- (56) **References Cited**
U.S. PATENT DOCUMENTS
1,752,985 A 4/1930 Huffman
4,079,841 A * 3/1978 Castel A47F 5/08
211/131.1
4,678,151 A 7/1987 Radek
5,456,435 A 10/1995 Sweeney
5,507,399 A 4/1996 Hermanson
D386,637 S * 11/1997 St-Pierre D6/515
D390,143 S * 2/1998 Rosen D10/104.1
5,896,091 A 4/1999 Soderlund



(56)

References Cited

U.S. PATENT DOCUMENTS

8,847,756	B2	9/2014	Tallent	
8,955,680	B1	2/2015	Wu Lee	
9,098,993	B2	8/2015	Reed, Jr.	
D742,528	S *	11/2015	Huffman	D24/186
D742,529	S *	11/2015	Huffman	D24/186
D771,635	S *	11/2016	Kuo	D14/457
9,541,231	B1	1/2017	Owens	
D782,491	S *	3/2017	Cutler	D14/447
D784,999	S *	4/2017	Cutler	D14/447
D785,638	S *	5/2017	Hsu	D14/447
D789,886	S *	6/2017	Socha-Leialoha	D13/108
D865,771	S *	11/2019	Haller	D14/451
10,559,186	B2	2/2020	Allen, Sr.	
2002/0017988	A1	2/2002	Irwin	
2018/0263119	A1	9/2018	Armiento	

* cited by examiner

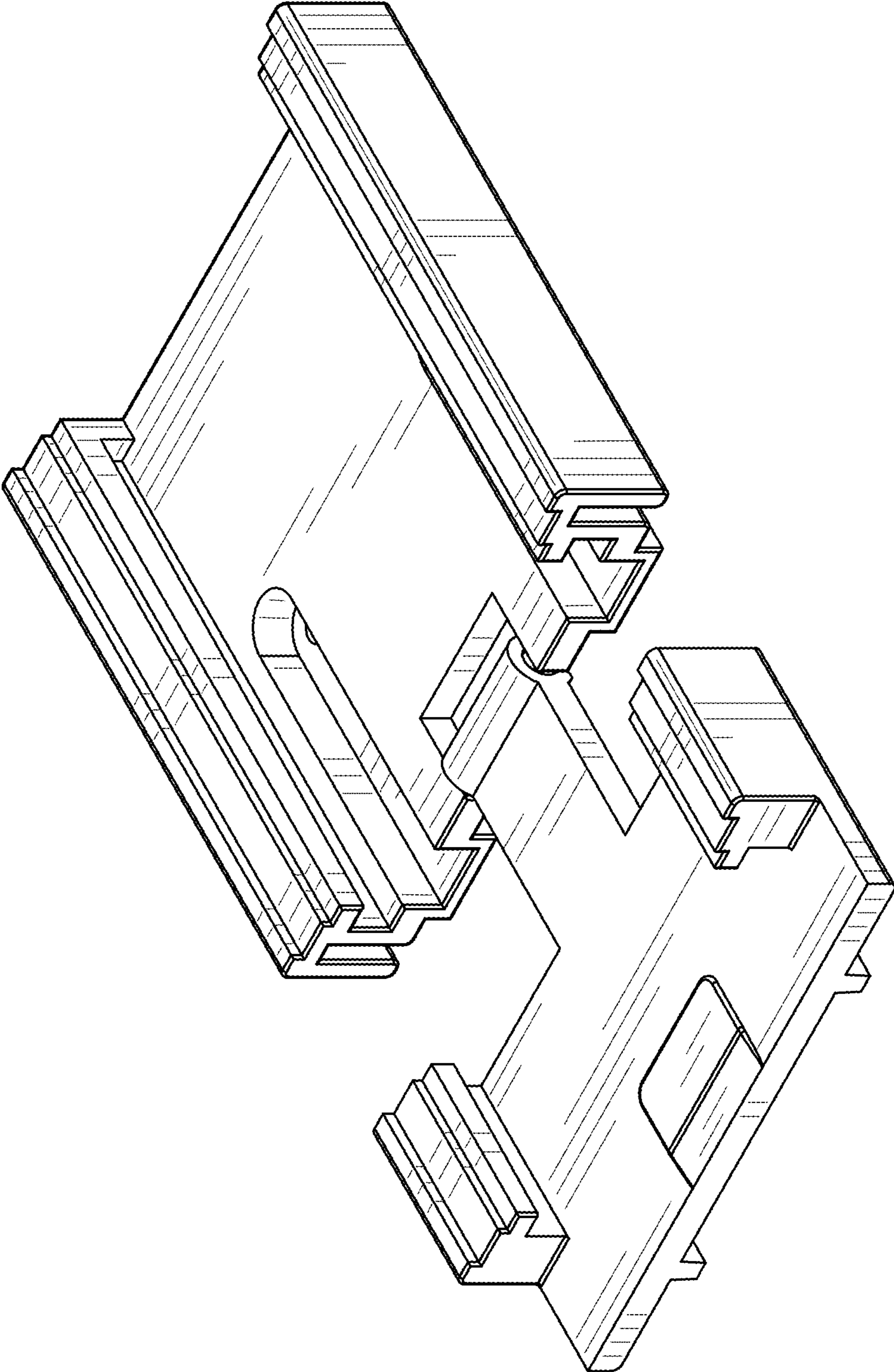


FIG. 1

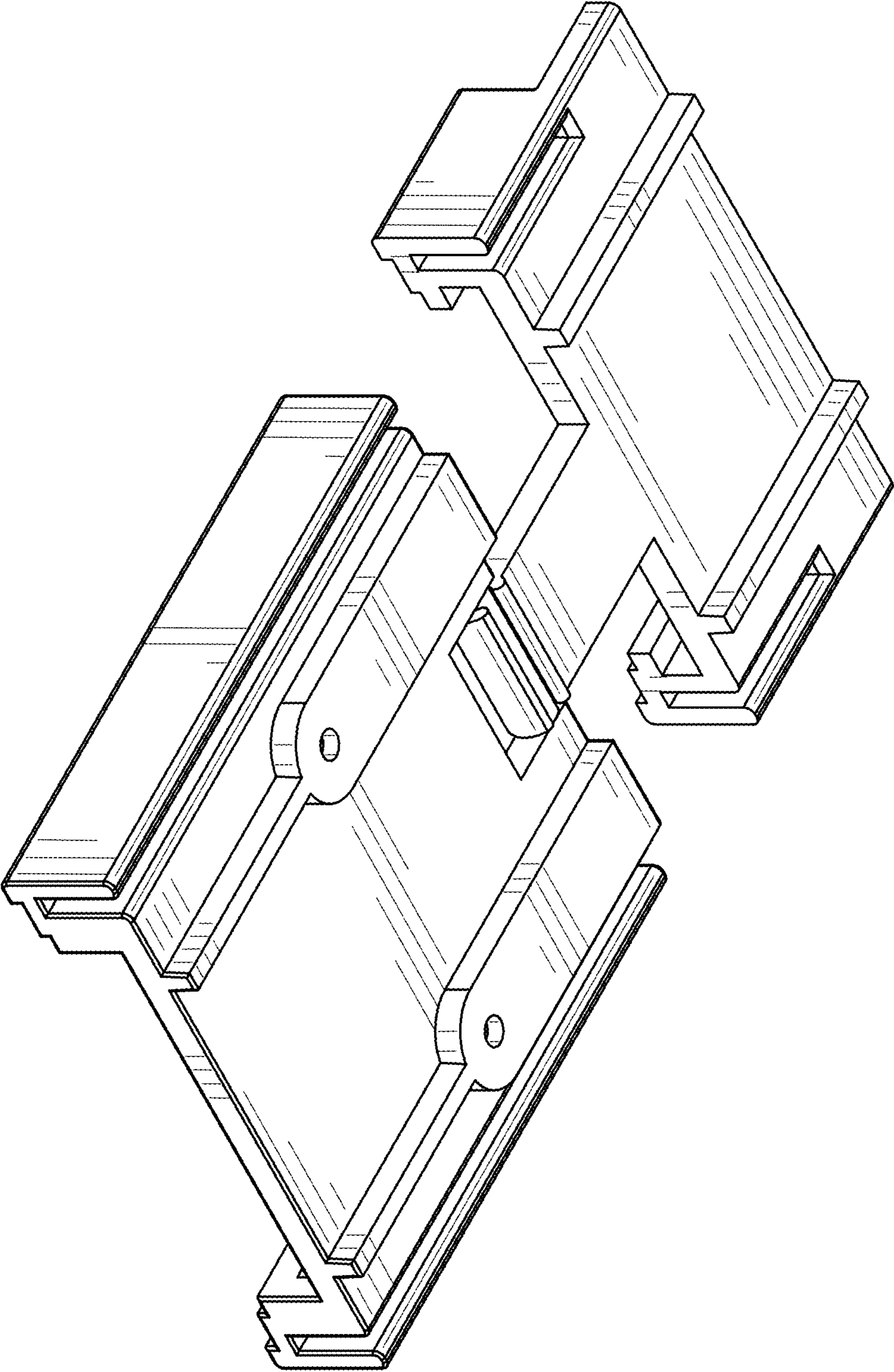


FIG. 2

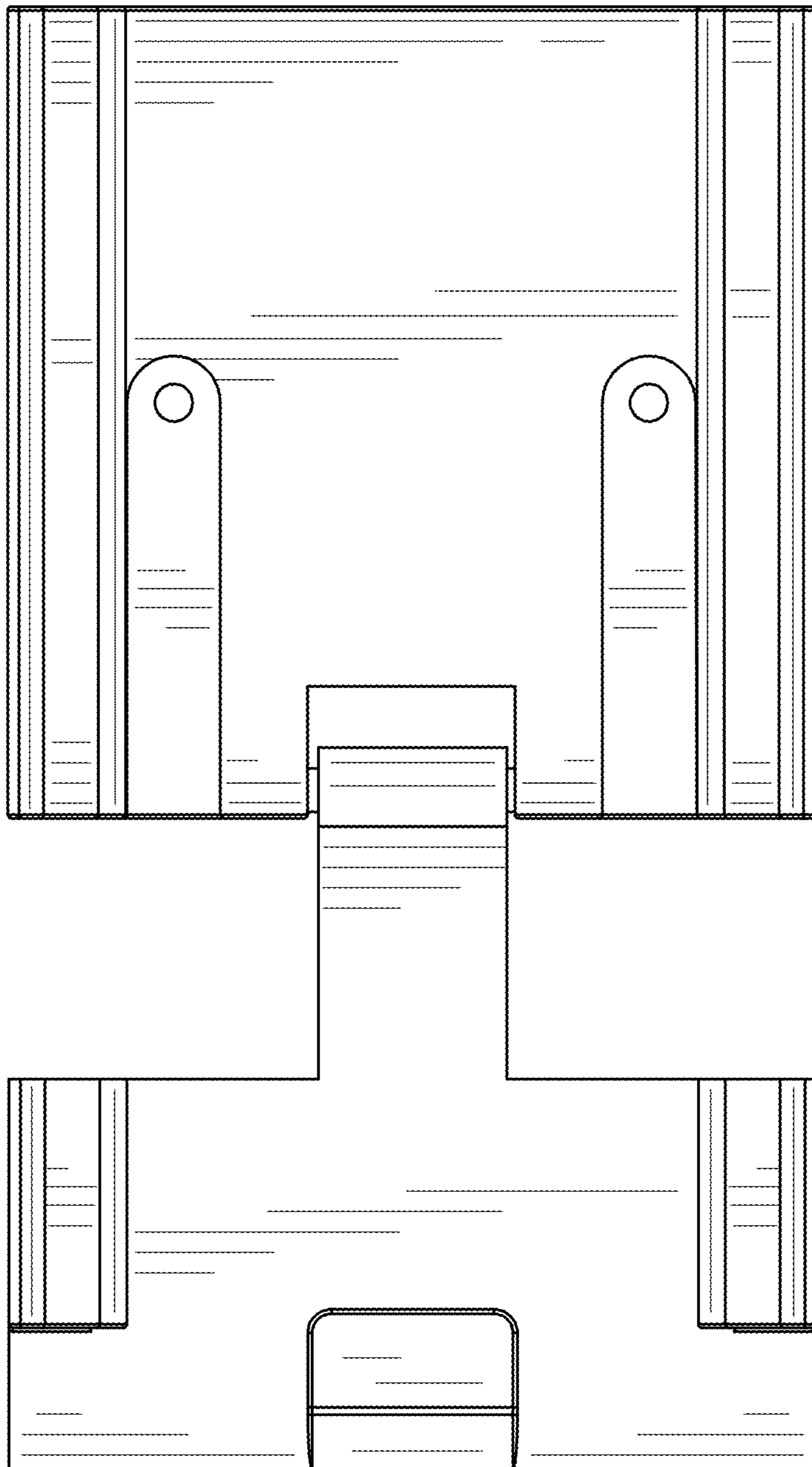


FIG. 3

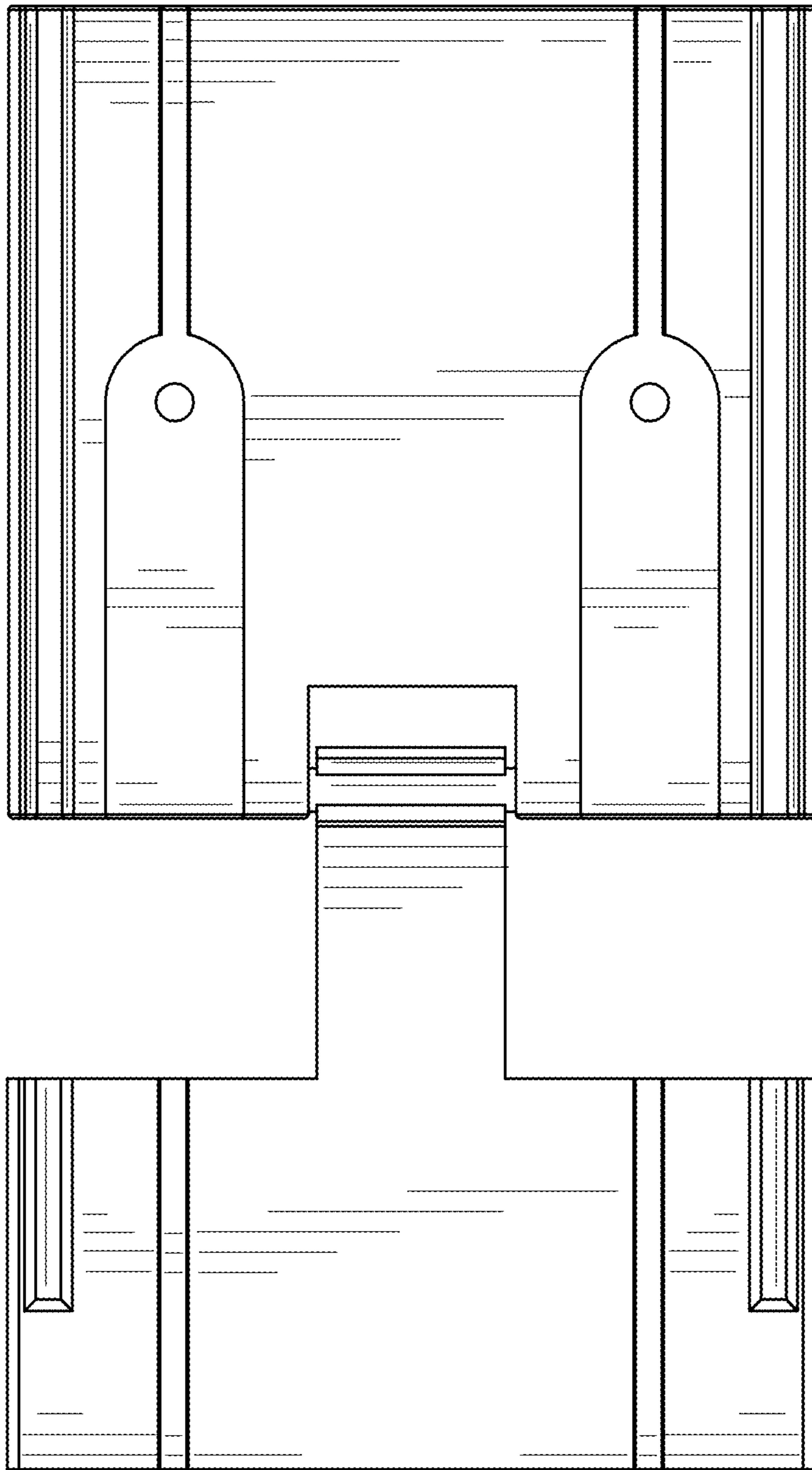


FIG. 4

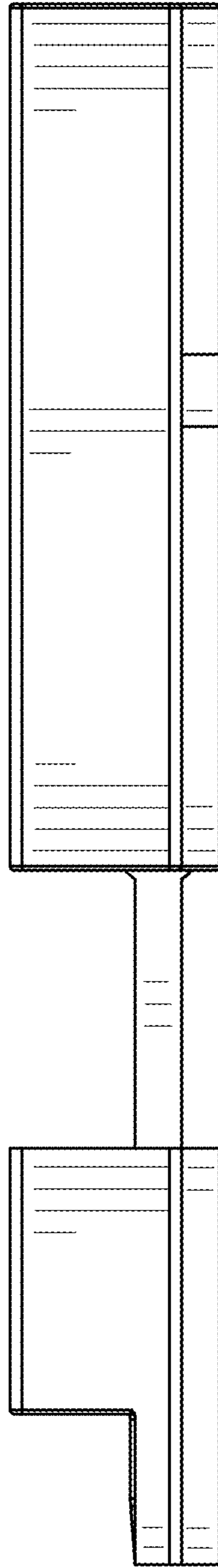


FIG. 5

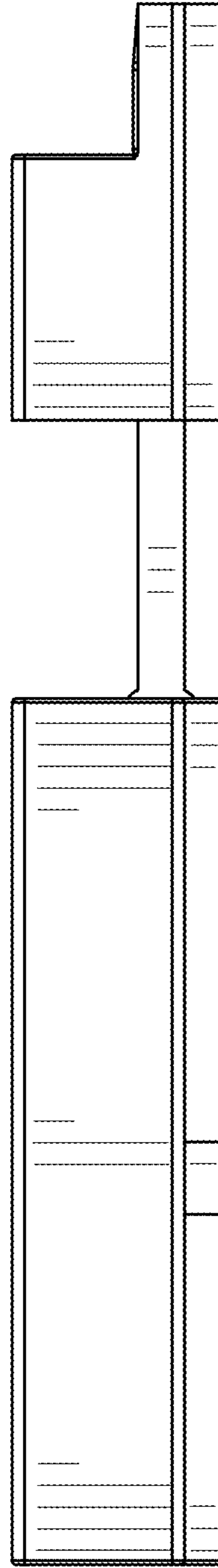


FIG. 6

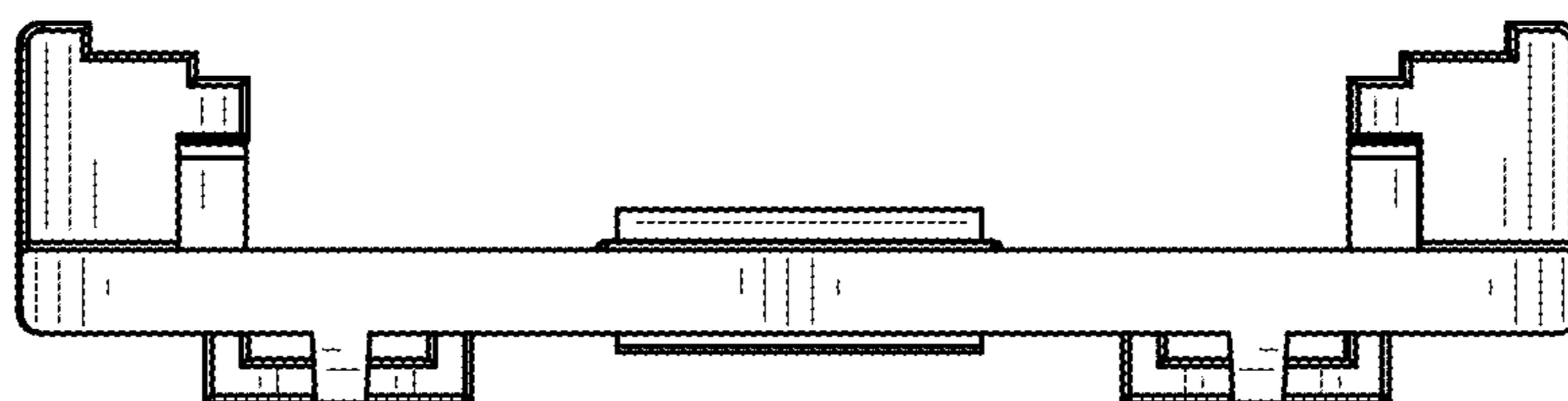


FIG. 7

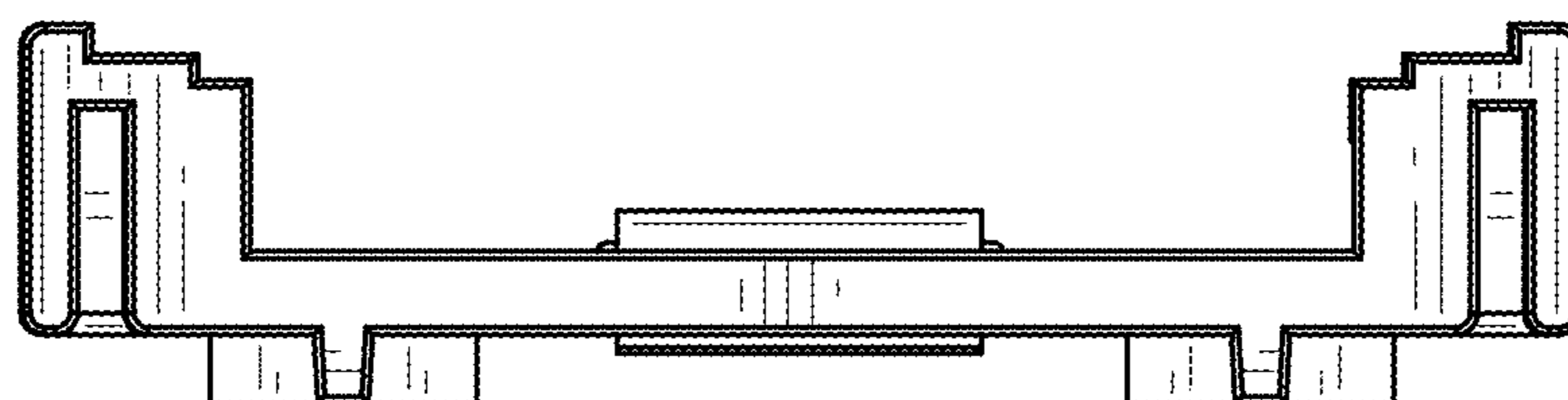


FIG. 8