



US00D904215S

(12) **United States Design Patent**
Arikawa et al.

(10) **Patent No.:** **US D904,215 S**

(45) **Date of Patent:** **** Dec. 8, 2020**

(54) **SMOKE DETECTOR**

(71) Applicant: **Hochiki Corporation**, Tokyo (JP)

(72) Inventors: **Masashi Arikawa**, Tokyo (JP); **Hayato Tsurumi**, Tokyo (JP)

(73) Assignee: **HOCHIKI CORPORATION**, Tokyo (JP)

(**) Term: **15 Years**

(21) Appl. No.: **35/507,793**

(22) Filed: **May 13, 2019**

(80) **Hague Agreement Data**

Int. Filing Date: **May 13, 2019**

Int. Reg. No.: **DM/203596**

Int. Reg. Date: **May 13, 2019**

Int. Reg. Pub. Date: **Nov. 15, 2019**

(51) **LOC (12) Cl.** **10-05**

(52) **U.S. Cl.**
USPC **D10/106.2**

(58) **Field of Classification Search**
USPC D10/106.2–106.3
CPC G08B 17/10; G08B 21/12
See application file for complete search history.

(56) **References Cited**

U.S. PATENT DOCUMENTS

D247,164 S * 2/1978 Lowell D10/106.2
D385,503 S * 10/1997 Velazquez D10/106.2

D447,974 S * 9/2001 Koyano D10/106.2
D600,582 S * 9/2009 Treharne D10/106.2
D783,433 S * 4/2017 Kalyan D10/106.2
D783,434 S * 4/2017 Kalyan D10/106.2
D783,435 S * 4/2017 Kalyan D10/106.2
D890,008 S * 7/2020 Xiong D10/106.2

* cited by examiner

Primary Examiner — George D. Kirschbaum

(74) *Attorney, Agent, or Firm* — Andrew F. Young, Esq.;
Nolte Lackenbach Siegel

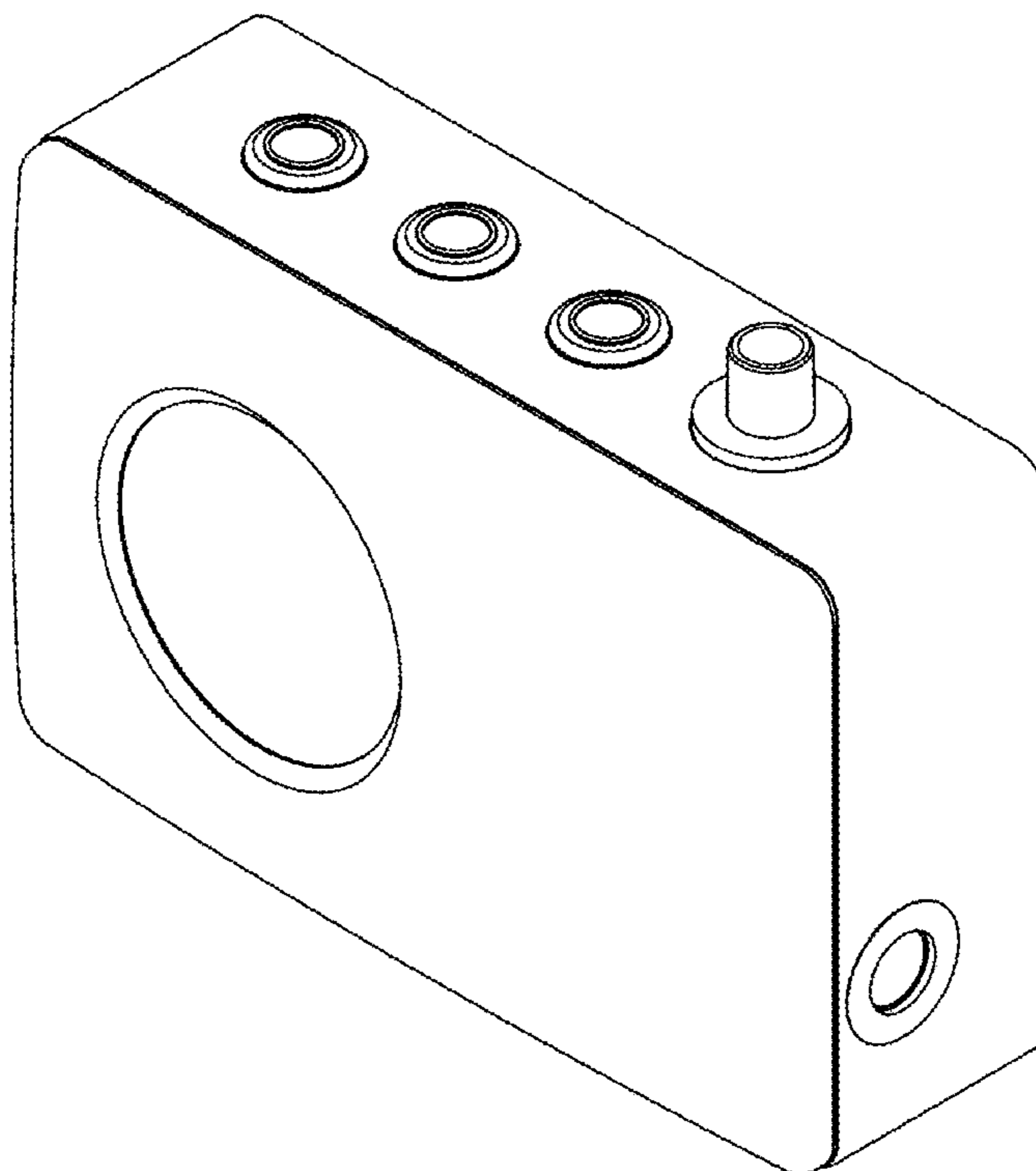
(57) **CLAIM**

The ornamental design for a smoke detector, as shown and described.

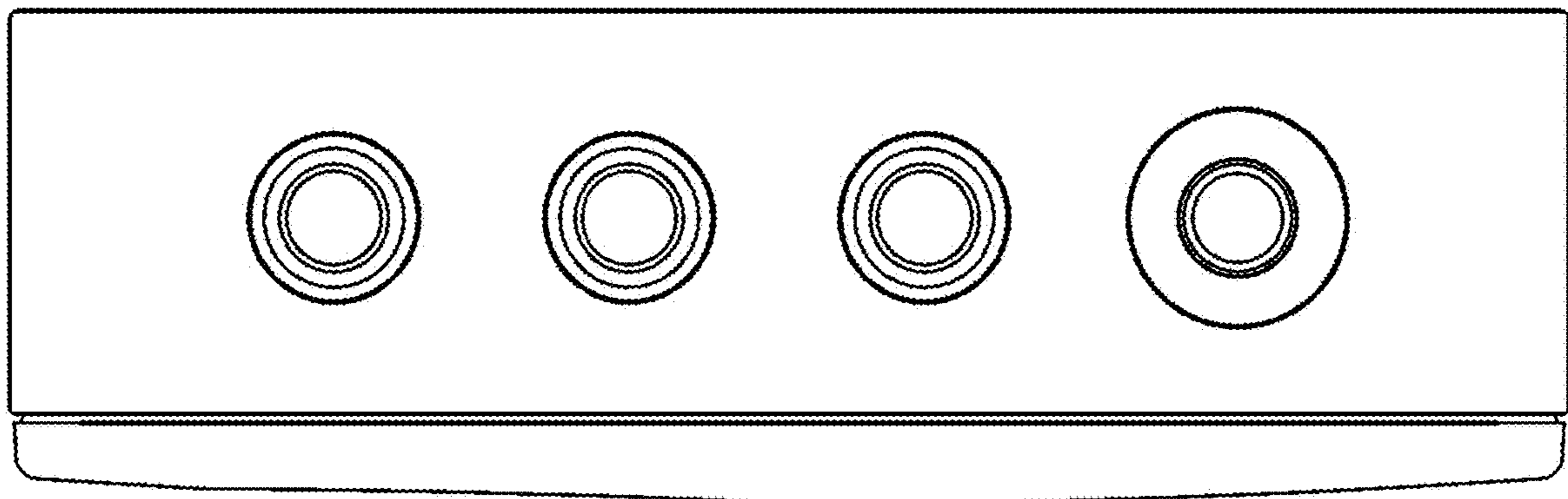
DESCRIPTION

- 1. Smoke detector
- 1.1 : Top
- 1.2 : Front
- 1.3 : Bottom
- 1.4 : Left
- 1.5 : Right
- 1.6 : Back
- 1.7 : Perspective

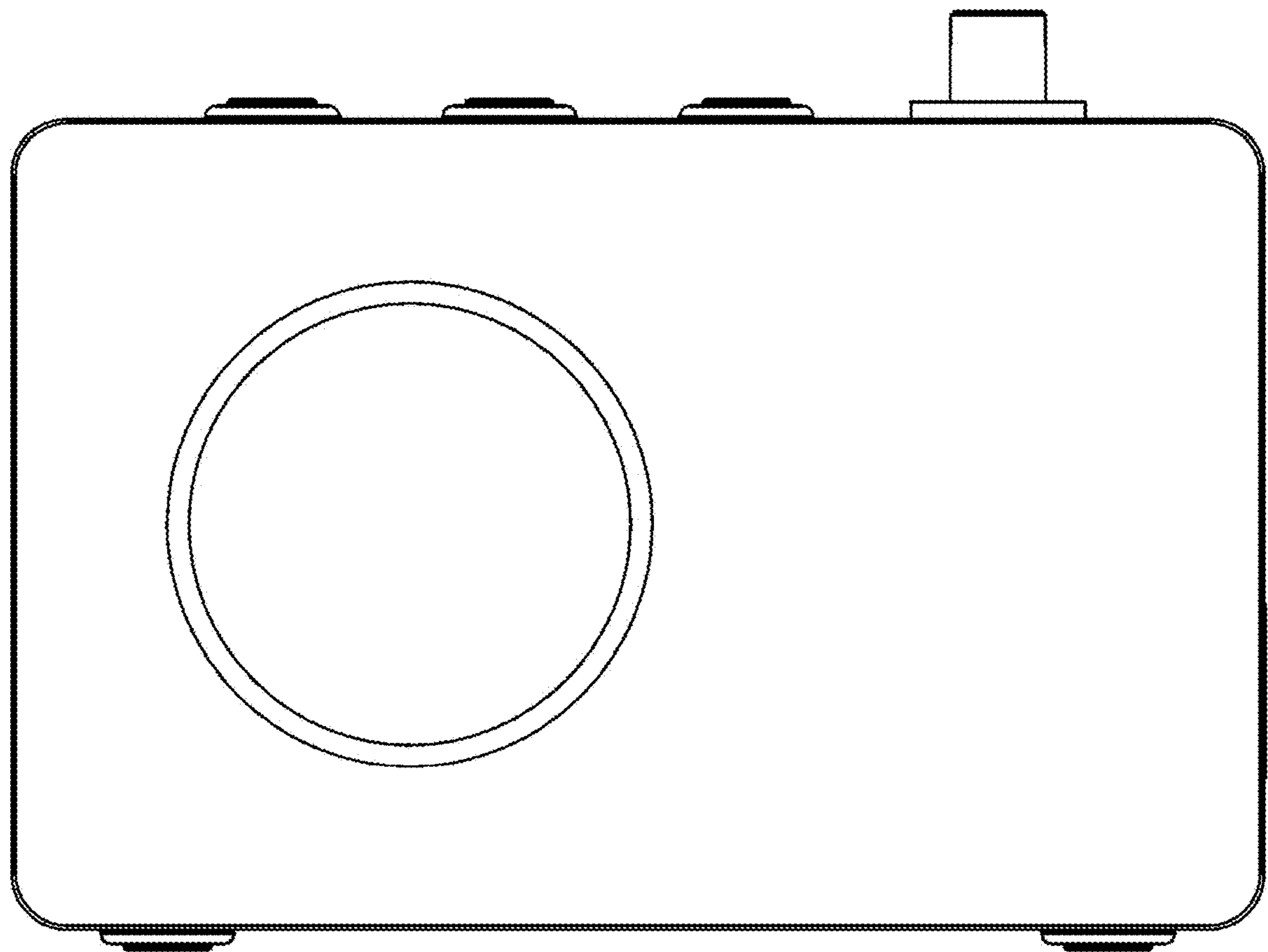
1 Claim, 7 Drawing Sheets



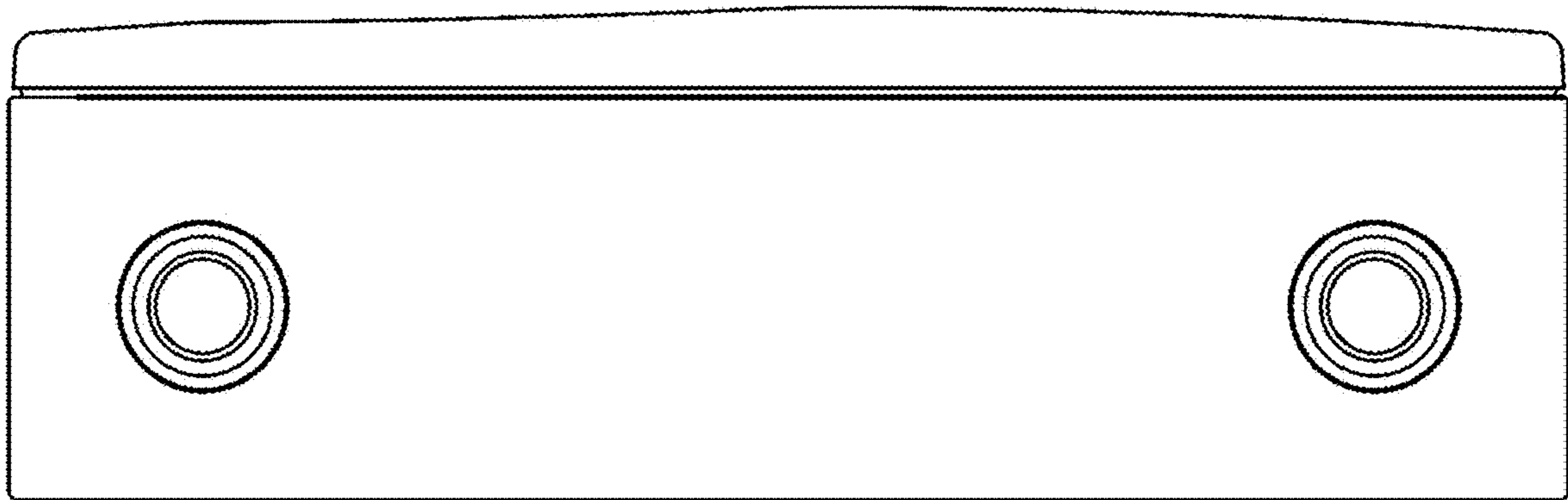
1.1



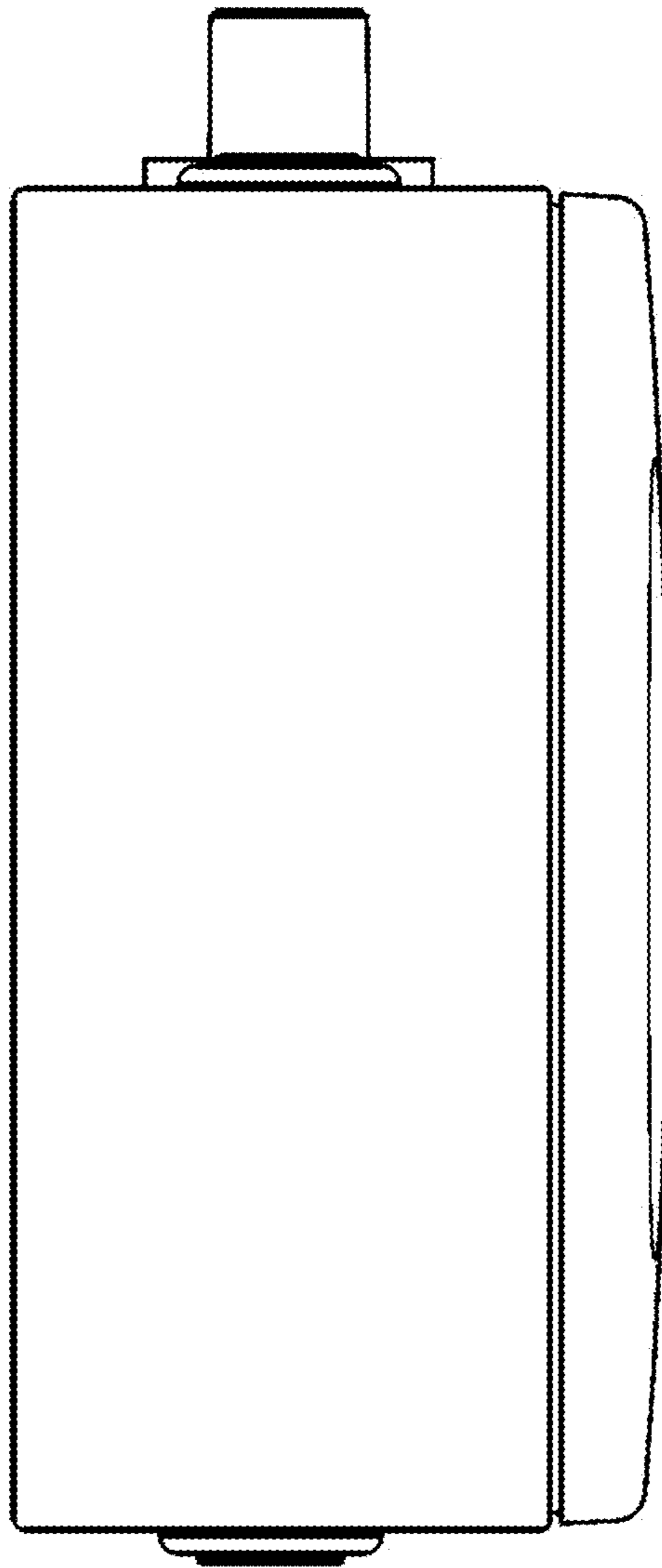
1.2



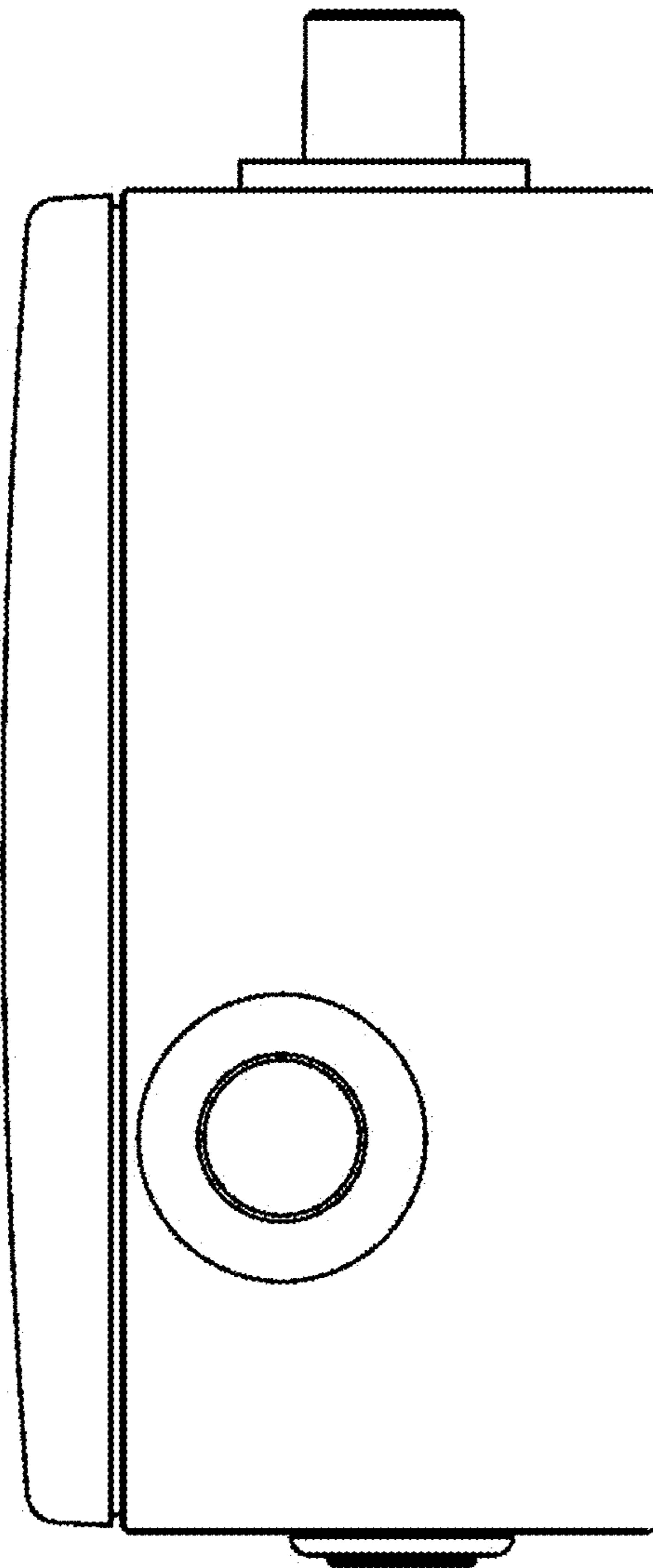
1.3



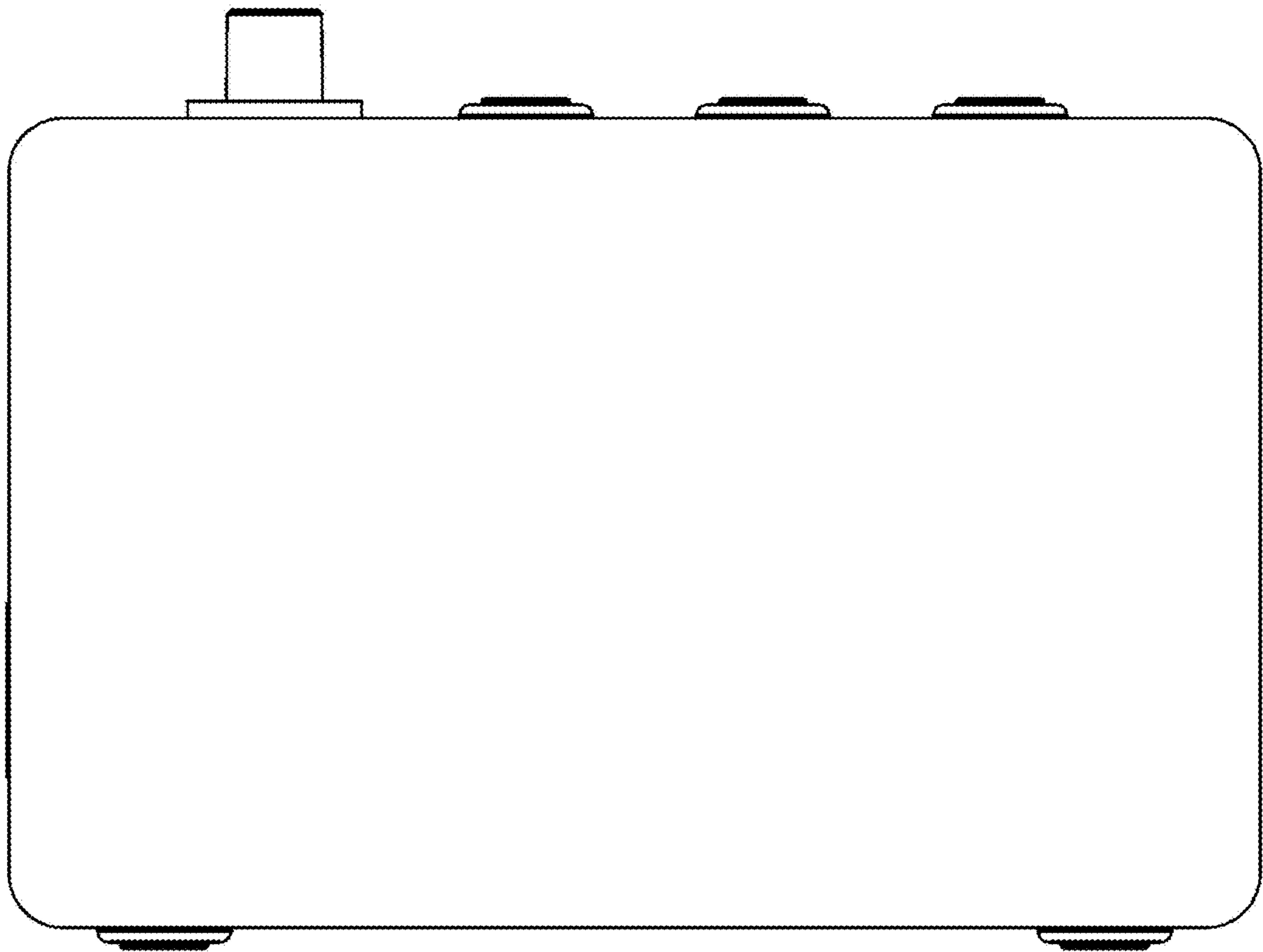
1.4



1.5



1.6



1.7

