



US00D904214S

(12) **United States Design Patent**
Zinn et al.

(10) **Patent No.:** **US D904,214 S**

(45) **Date of Patent:** **** Dec. 8, 2020**

(54) **REMOTE TRANSMITTER FOR PET RECEIVER**

D719,708 S * 12/2014 Ye D30/199
D774,935 S * 12/2016 Liu D10/104.1
D862,812 S * 10/2019 Jia D30/199
D883,829 S * 5/2020 Nytko D10/104.1

(71) Applicant: **Radio Systems Corporation,**
Knoxville, TN (US)

* cited by examiner

(72) Inventors: **Kevin Andrew Zinn,** Knoxville, TN (US); **Robert A. Nytko,** Knoxville, TN (US); **John Hubbard,** Knoxville, TN (US)

Primary Examiner — George D. Kirschbaum
(74) *Attorney, Agent, or Firm* — Baker, Donelson, Bearman, Caldwell & Berkowitz PC

(73) Assignee: **RADIO SYSTEMS CORPORATION,**
Knoxville, TN (US)

(57) **CLAIM**

(**) Term: **15 Years**

The ornamental design for a remote transmitter for pet receiver, as shown and described.

(21) Appl. No.: **29/670,094**

(22) Filed: **Nov. 13, 2018**

DESCRIPTION

(51) **LOC (12) Cl.** **10-05**

(52) **U.S. Cl.**
USPC **D10/104.1; D30/199**

(58) **Field of Classification Search**
USPC D10/104.1; D30/199; D14/137
CPC A01K 15/021
See application file for complete search history.

FIG. 1 is a bottom left front perspective view of a remote transmitter for pet receiver, showing the new design.
FIG. 2 is a front view thereof.
FIG. 3 is a rear view thereof.
FIG. 4 is a left view thereof.
FIG. 5 is a right view thereof.
FIG. 6 is a top view thereof; and,
FIG. 7 is a bottom view thereof.

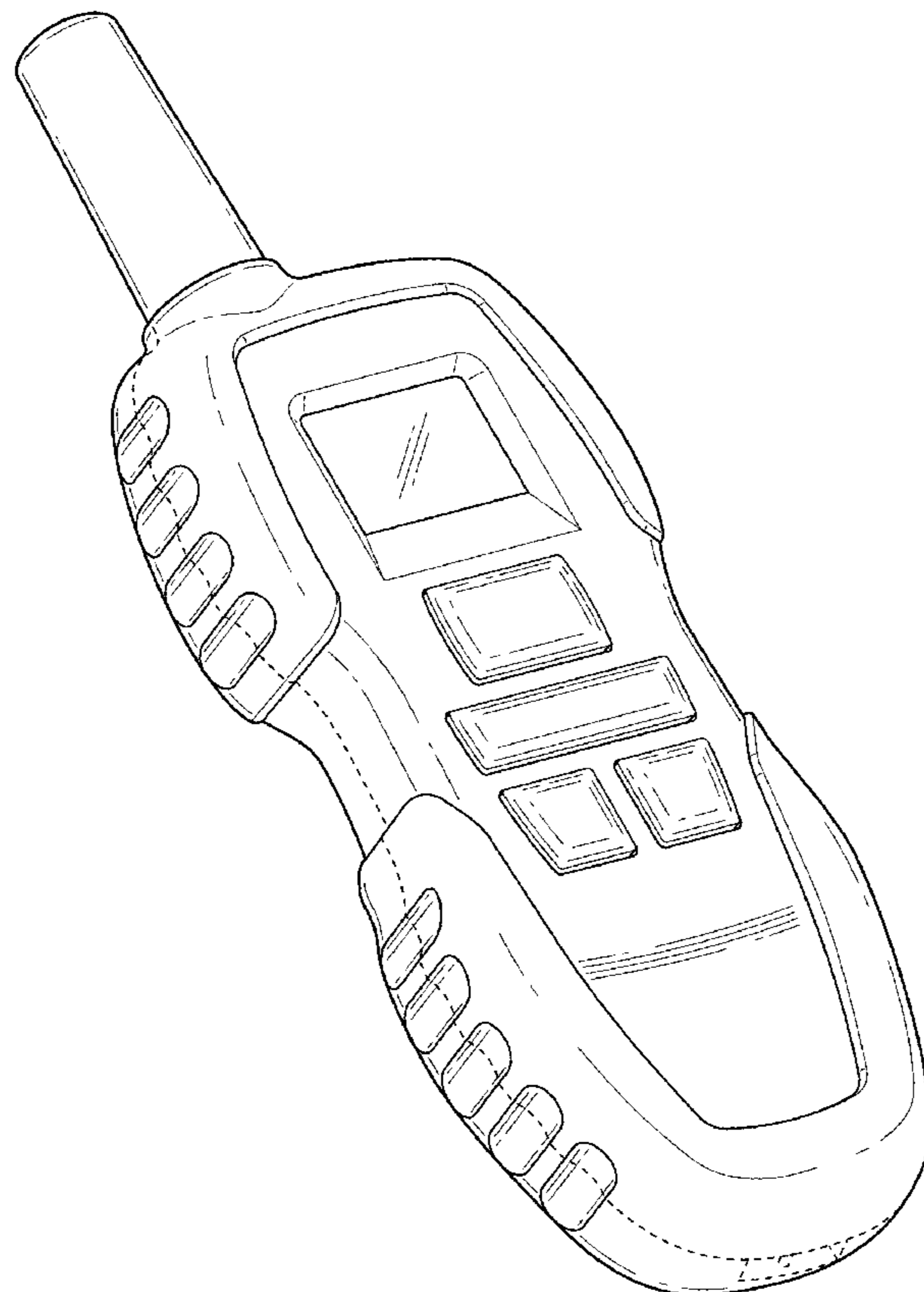
The broken line showing is included for the purpose of illustrating portions of the “article” and forms no part of the claimed design.

(56) **References Cited**

U.S. PATENT DOCUMENTS

D452,684 S * 1/2002 Sedan D14/137
8,181,607 B2 * 5/2012 Kim A01K 15/021
119/720

1 Claim, 4 Drawing Sheets



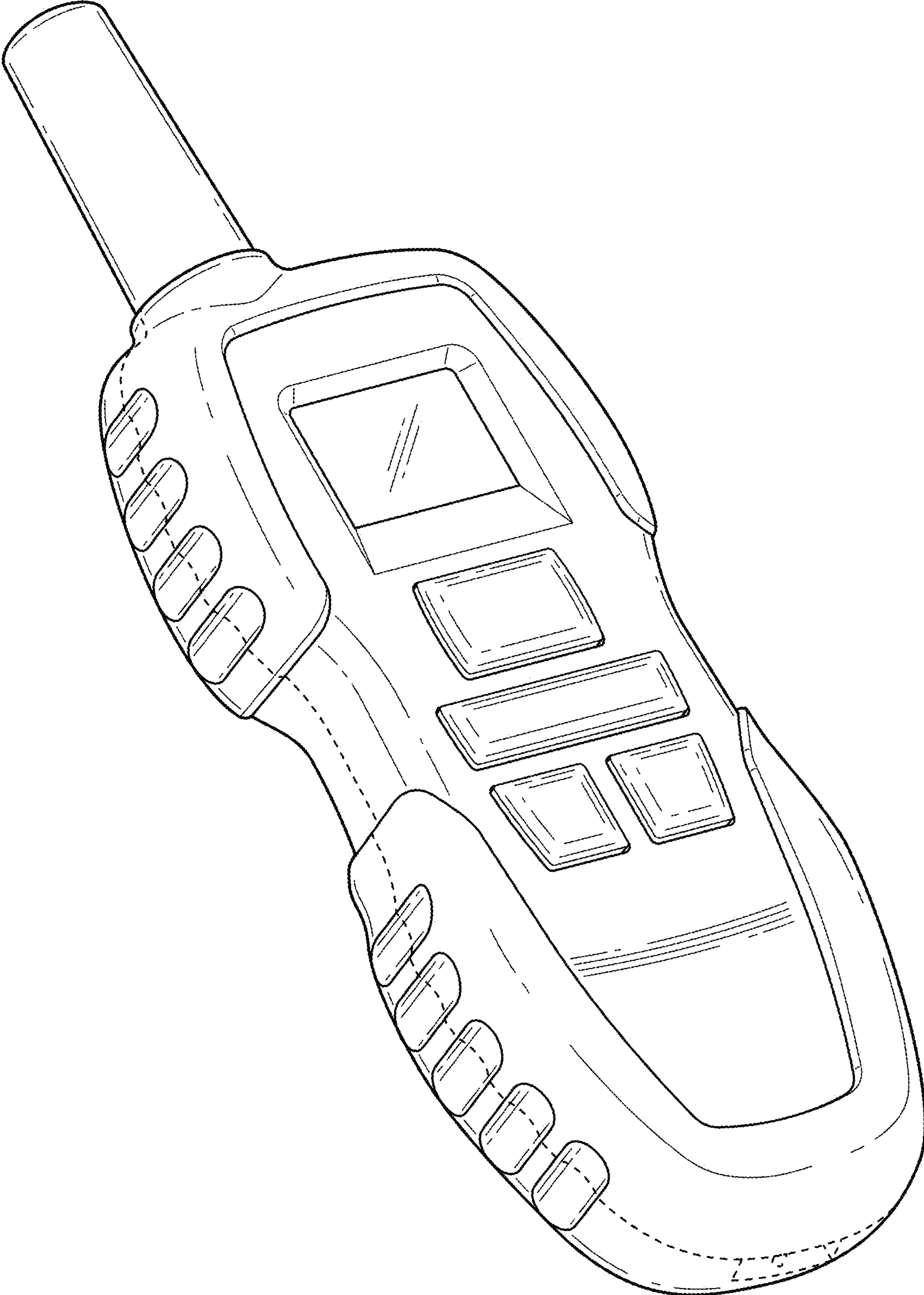


FIG. 1

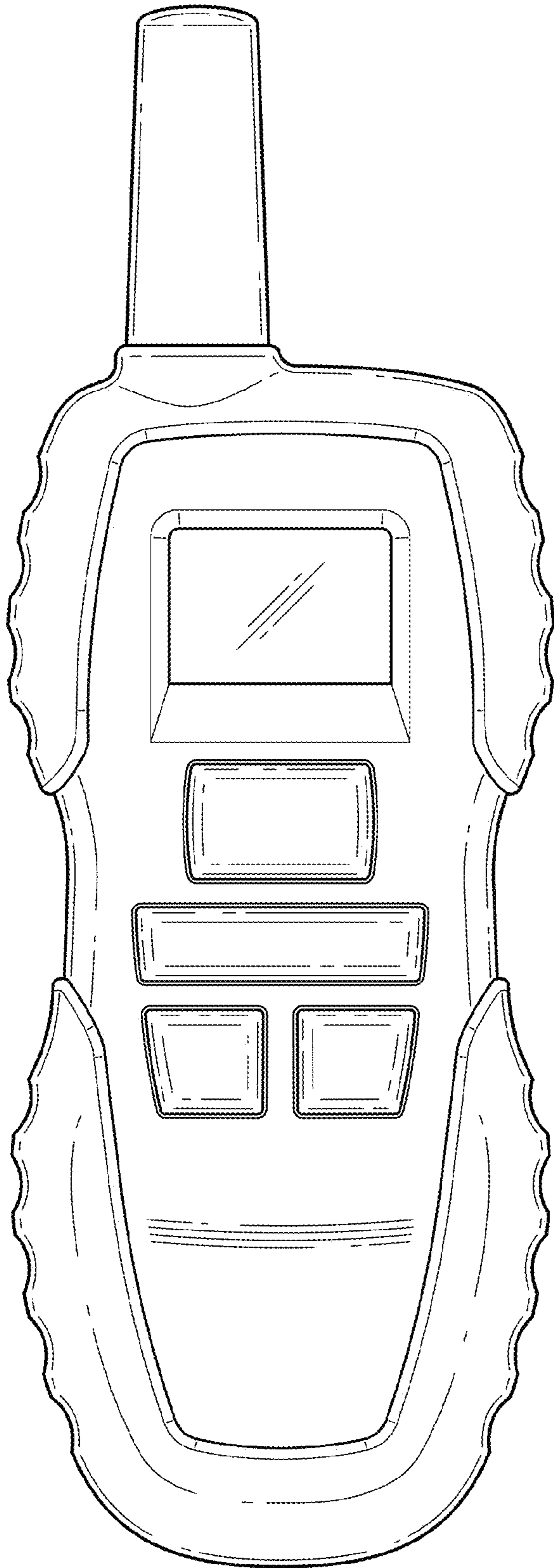


FIG. 2

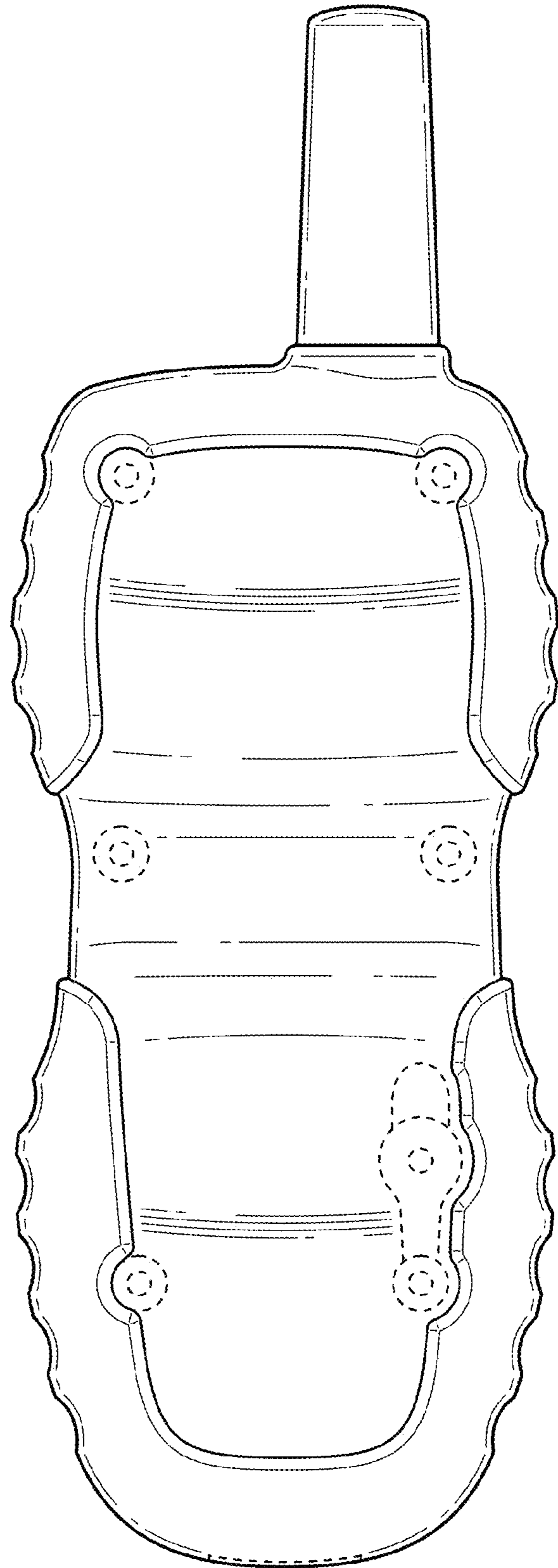


FIG. 3

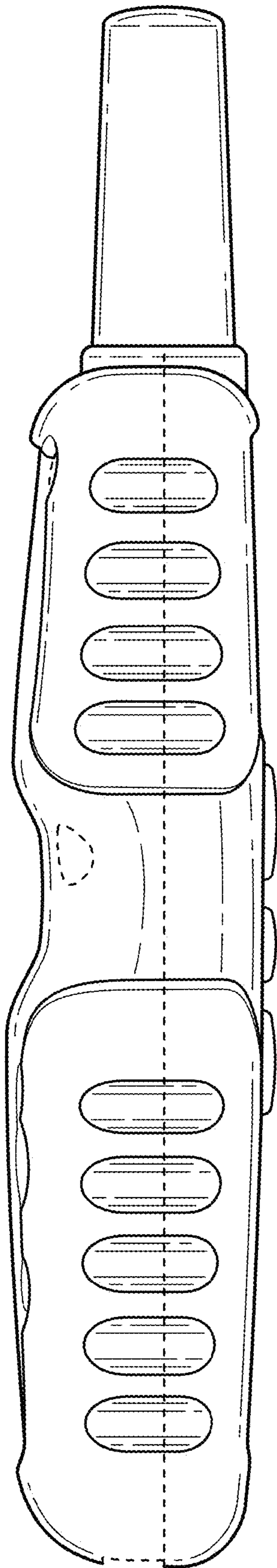


FIG. 4

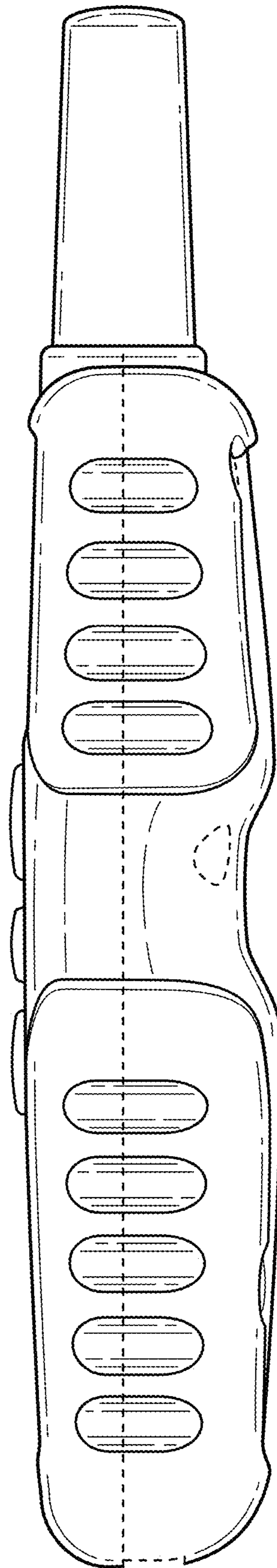


FIG. 5

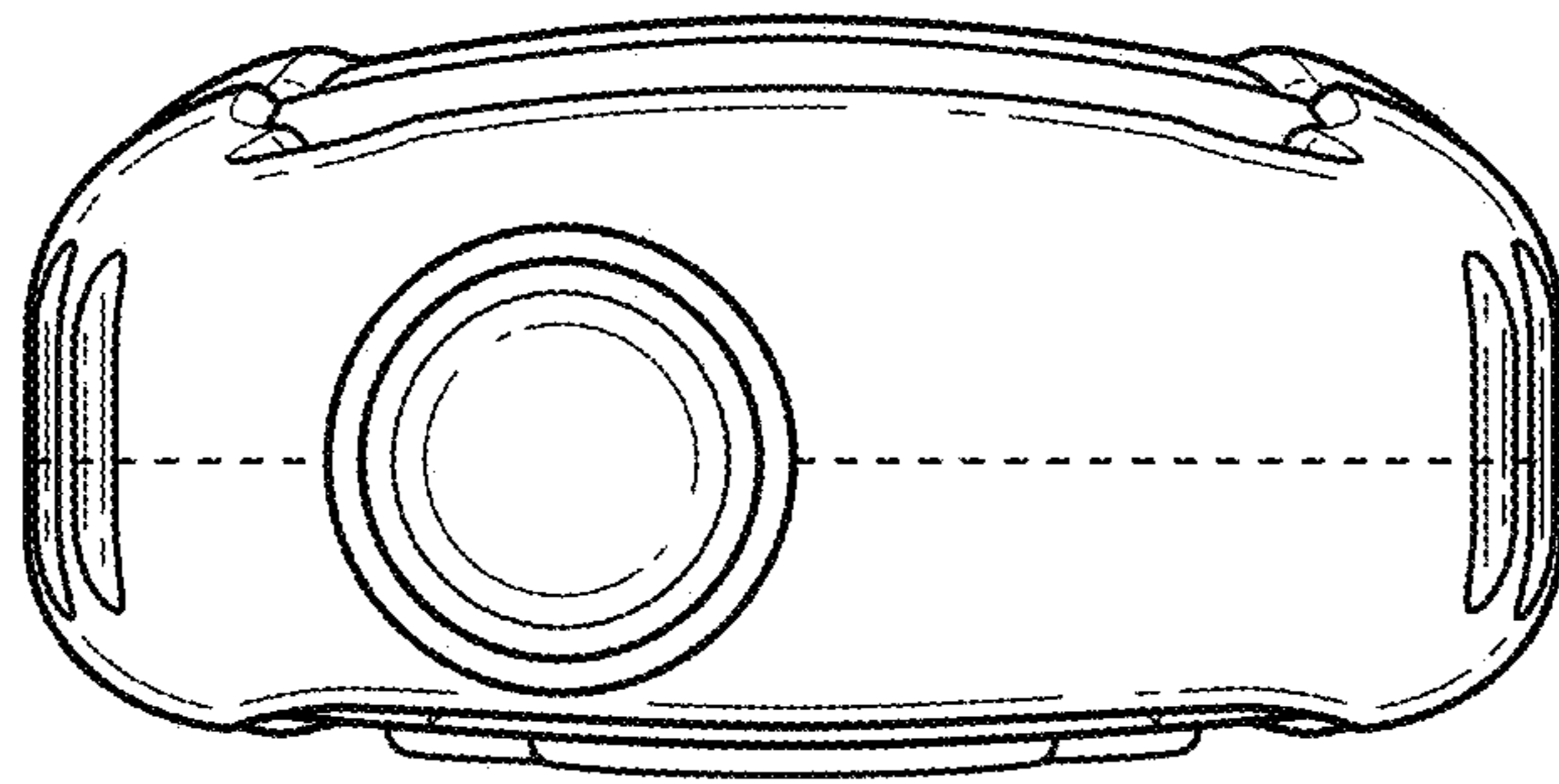


FIG. 6

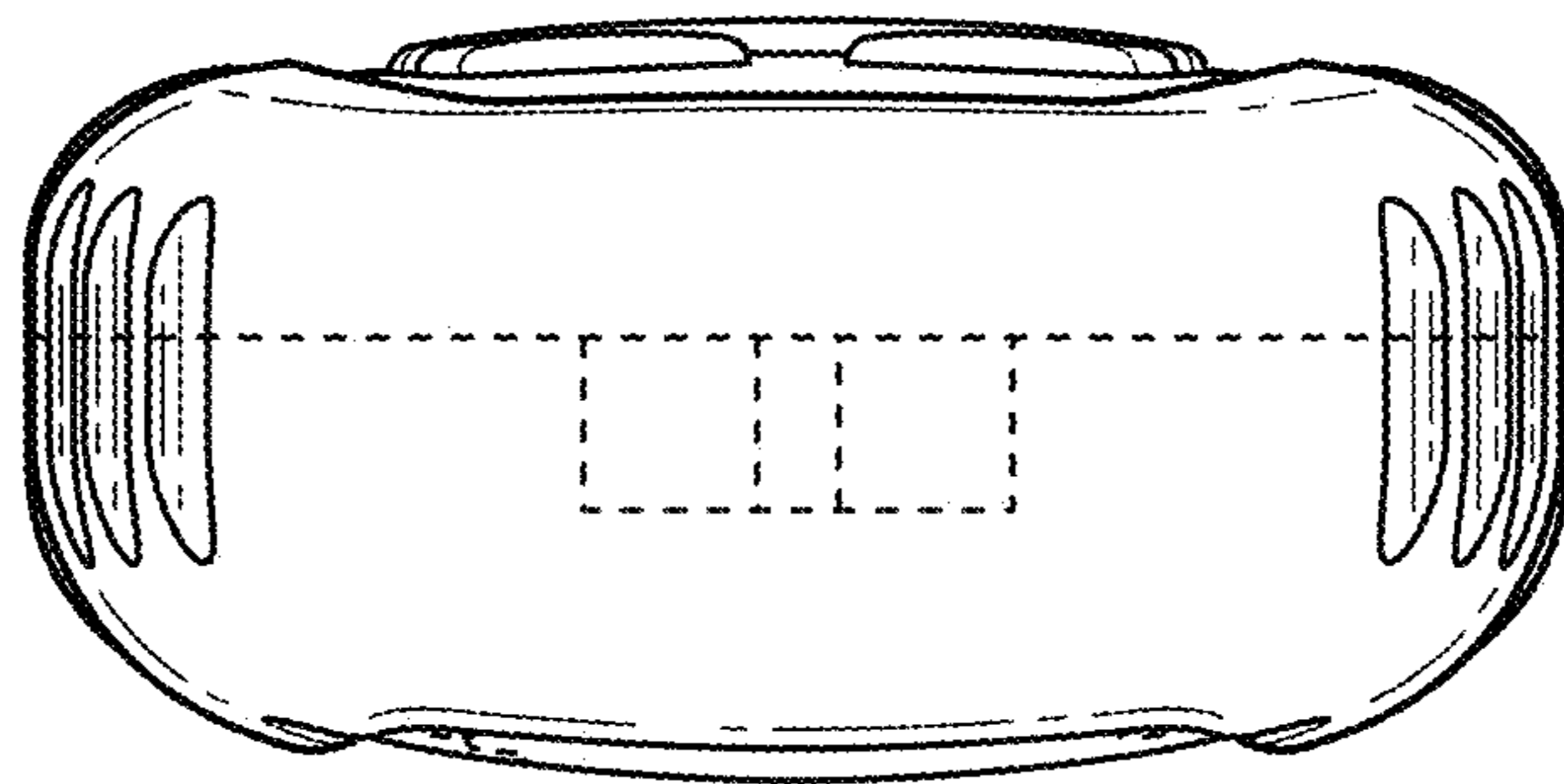


FIG. 7